

[54] RECHARGEABLE SPOTLIGHT

[75] Inventor: John S. Yuen, Kowloon, Hong Kong

[73] Assignee: John Manufacturing Limited, Kowloon, Hong Kong

[\*\*] Term: 14 Years

[21] Appl. No.: 203,146

[22] Filed: Jun. 7, 1988

[30] Foreign Application Priority Data

Dec. 8, 1987 [GB] United Kingdom ..... 1046932  
[52] U.S. Cl. .... D26/44; D26/48  
[58] Field of Search ..... D26/37-50;  
362/157, 158, 191-208

[56] References Cited

U.S. PATENT DOCUMENTS

D. 276,375 11/1984 Fenne ..... D26/44  
D. 295,561 3/1988 Hsiao ..... D26/48

OTHER PUBLICATIONS

Spony's Tool Shop Catalog Item Rechargeable Power Failure Light, 1983, p. 5.

Hong Kong Enterprise Item Rechargeable Light, 9-1985, p. 64.

Primary Examiner—Susan J. Lucas  
Assistant Examiner—M. H. Tung  
Attorney, Agent, or Firm—Fay, Sharpe, Beall, Fagan, Minnich & McKee

[57] CLAIM

The ornamental design for a rechargeable spotlight, as shown and described.

DESCRIPTION

FIG. 1 is a top plan view of a rechargeable spotlight showing my new design;  
FIG. 2 is a front elevational view thereof;  
FIG. 3 is a rear elevational view thereof;  
FIG. 4 is a right side elevational view thereof;  
FIG. 5 is a right side elevational view thereof, the head raised in an alternative position;  
FIG. 6 is a bottom plan view thereof;  
FIG. 7 is a cross-sectional view thereof, the slidable plate in an open position and the recharging prongs in extended position; and  
FIG. 8 is a perspective view thereof, taken from the top and right side.  
The broken lines are for illustrative purposes only and form no part of the claimed design.

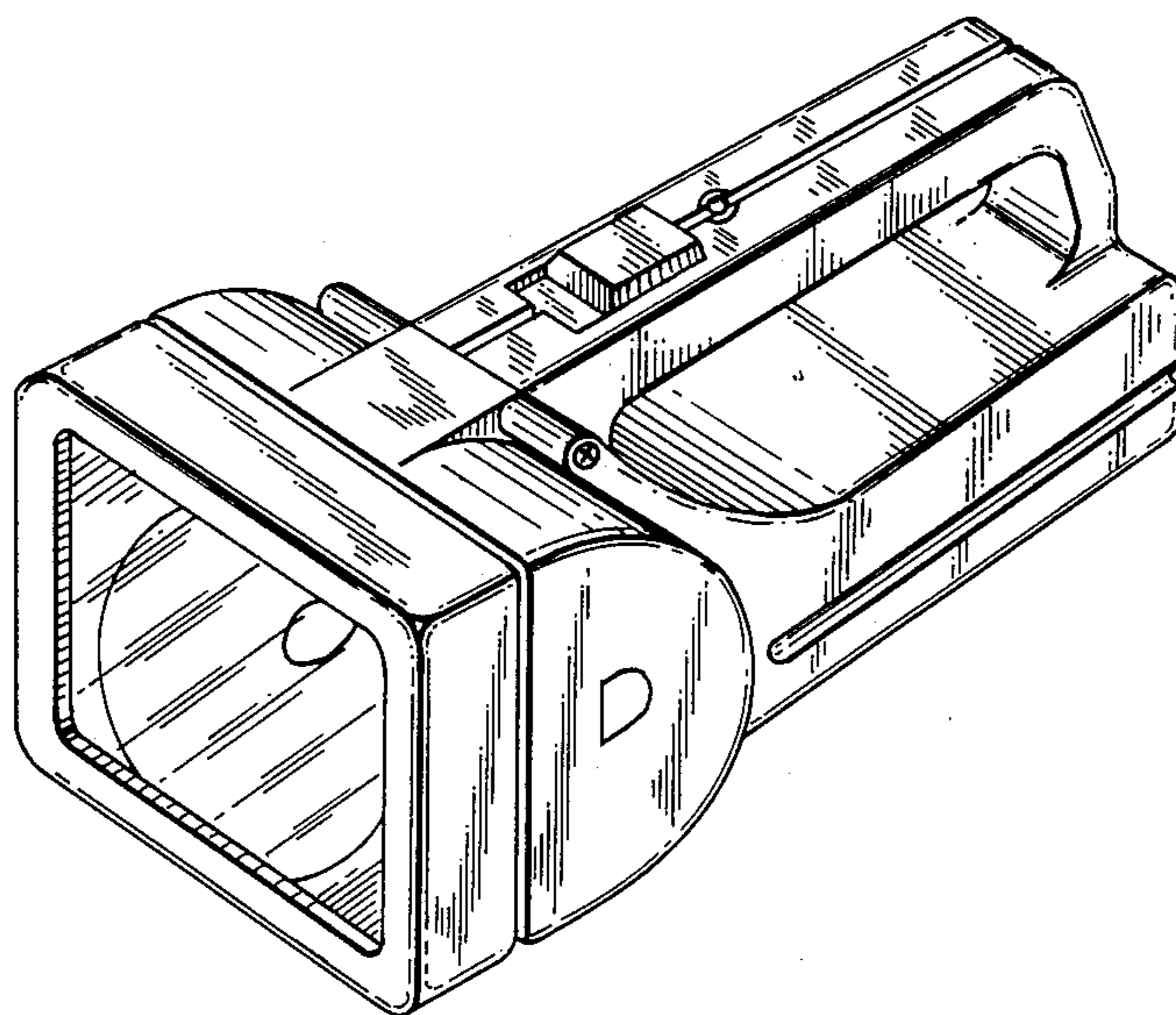


FIG. 1

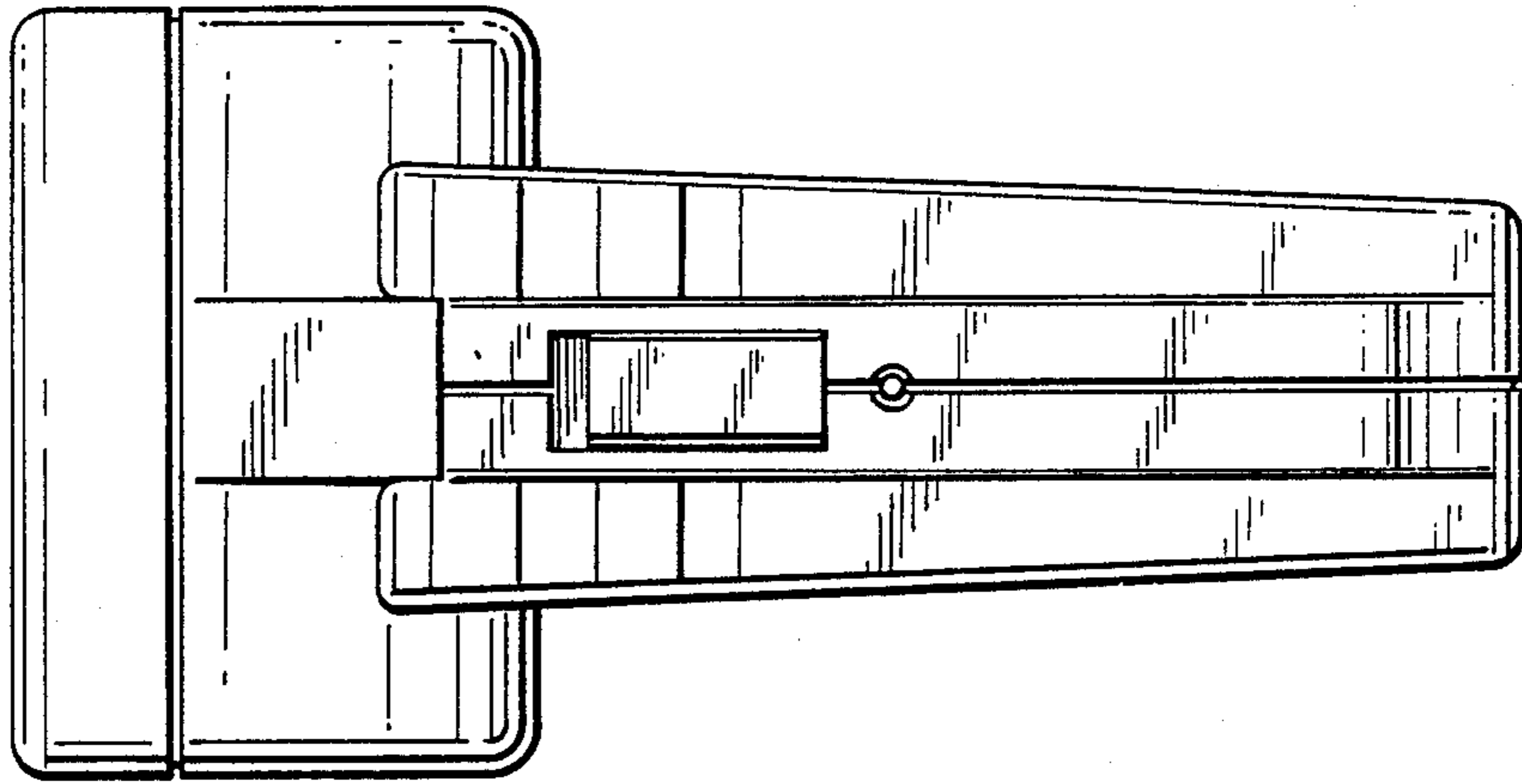


FIG. 2

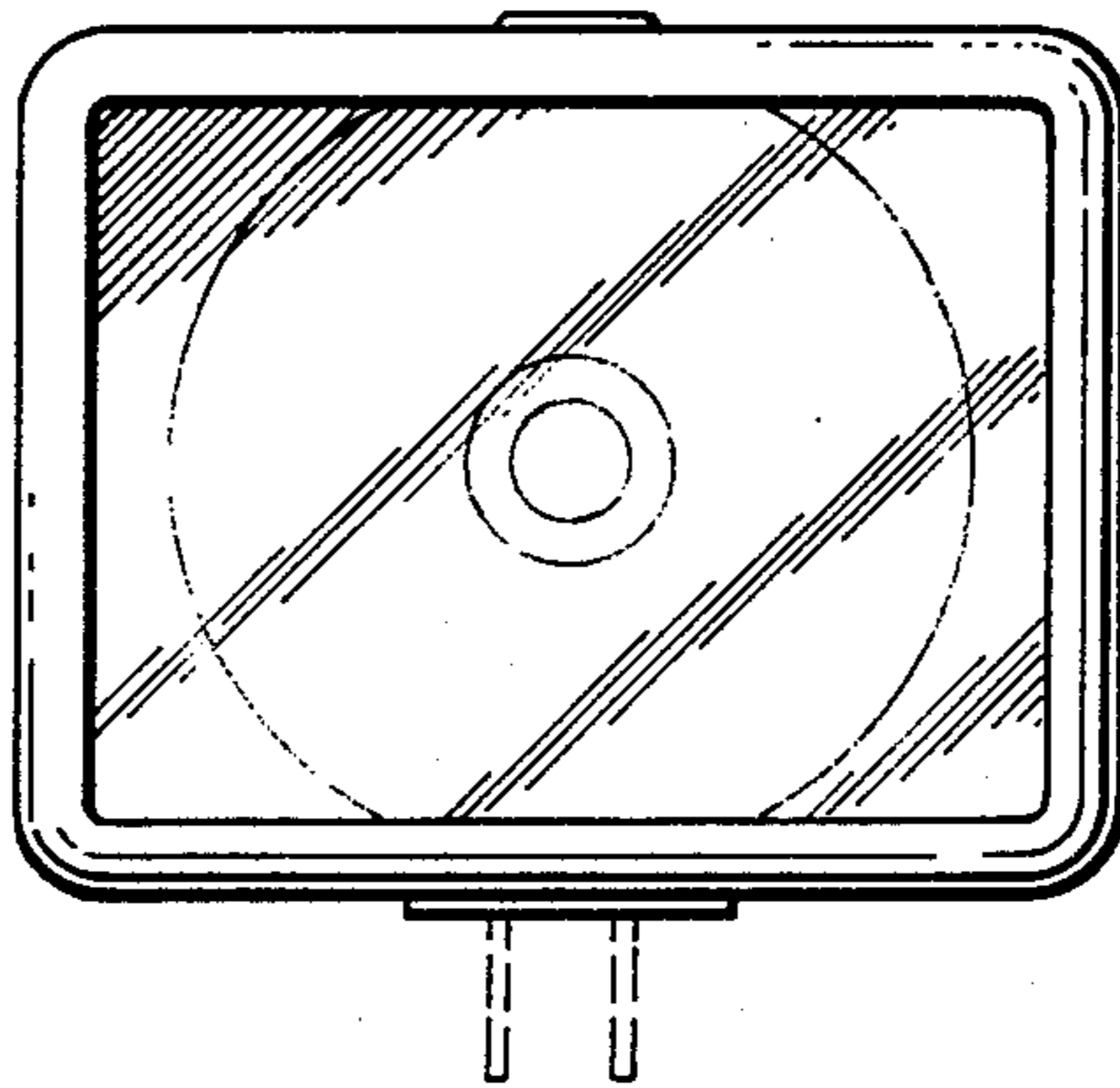


FIG. 3

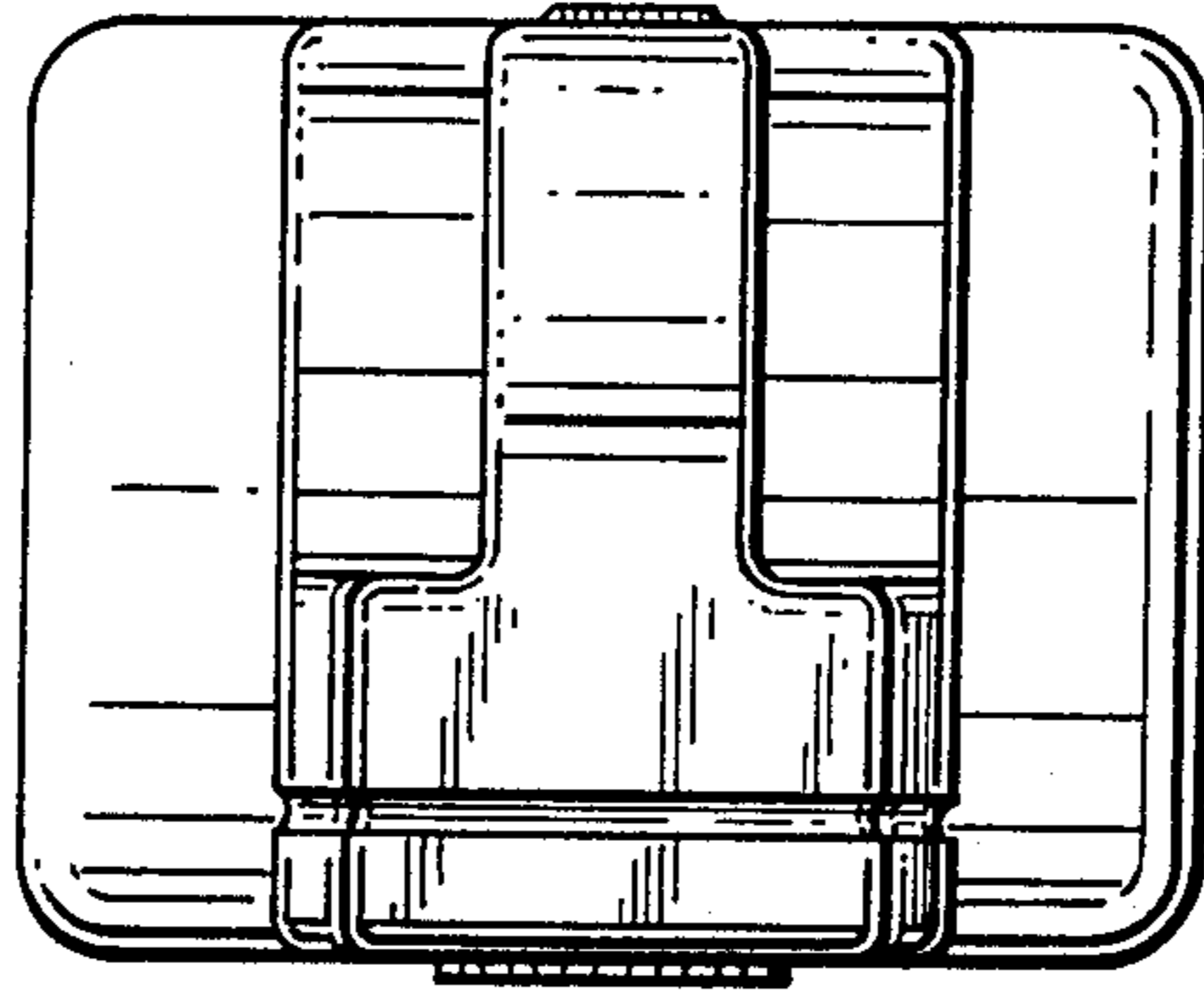


FIG. 7

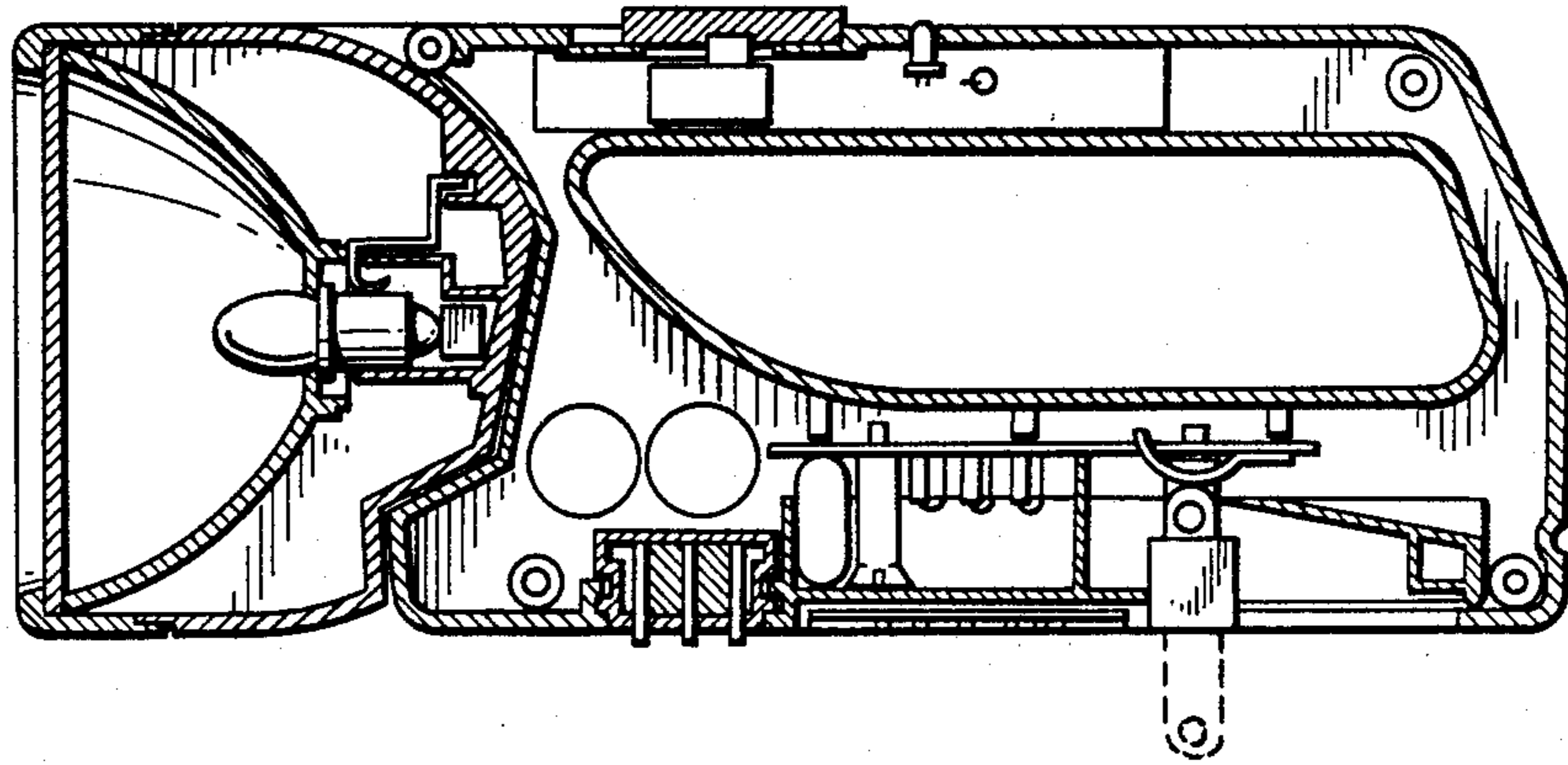


FIG. 4

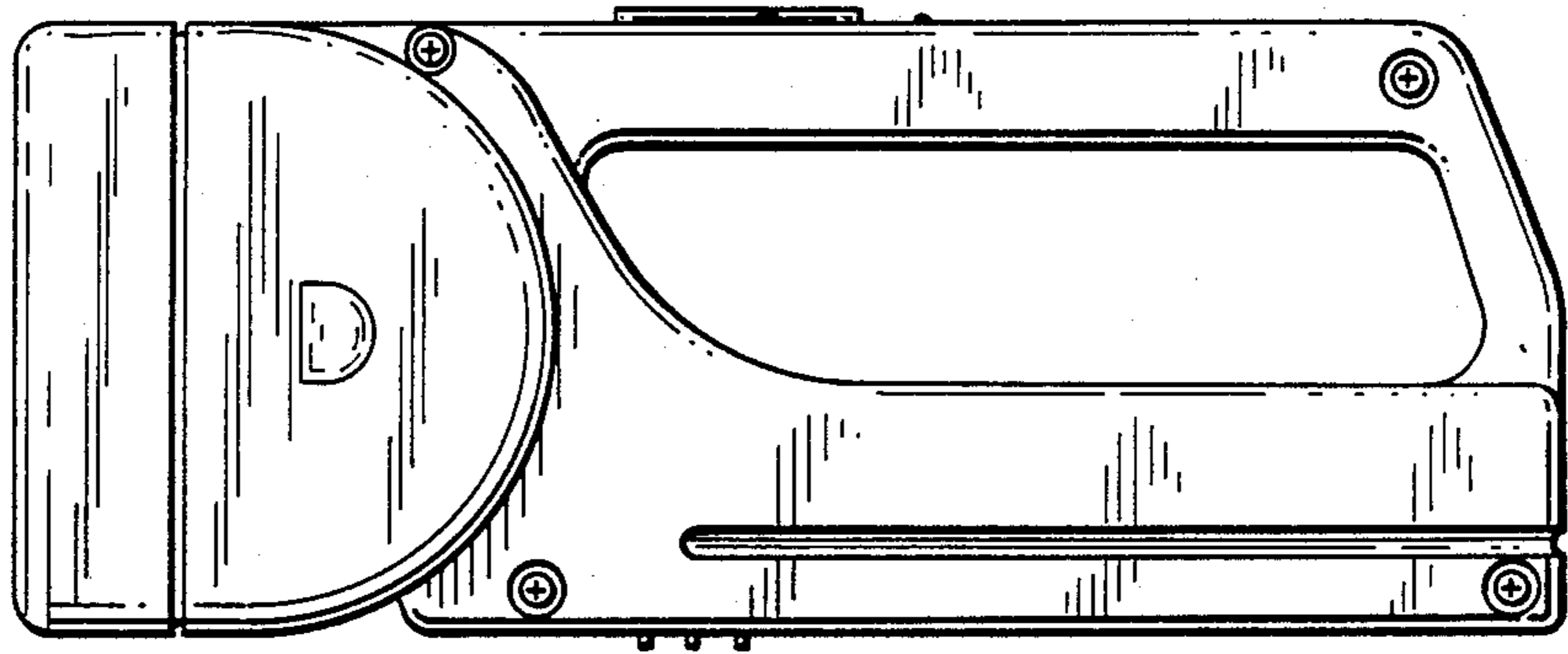


FIG. 6

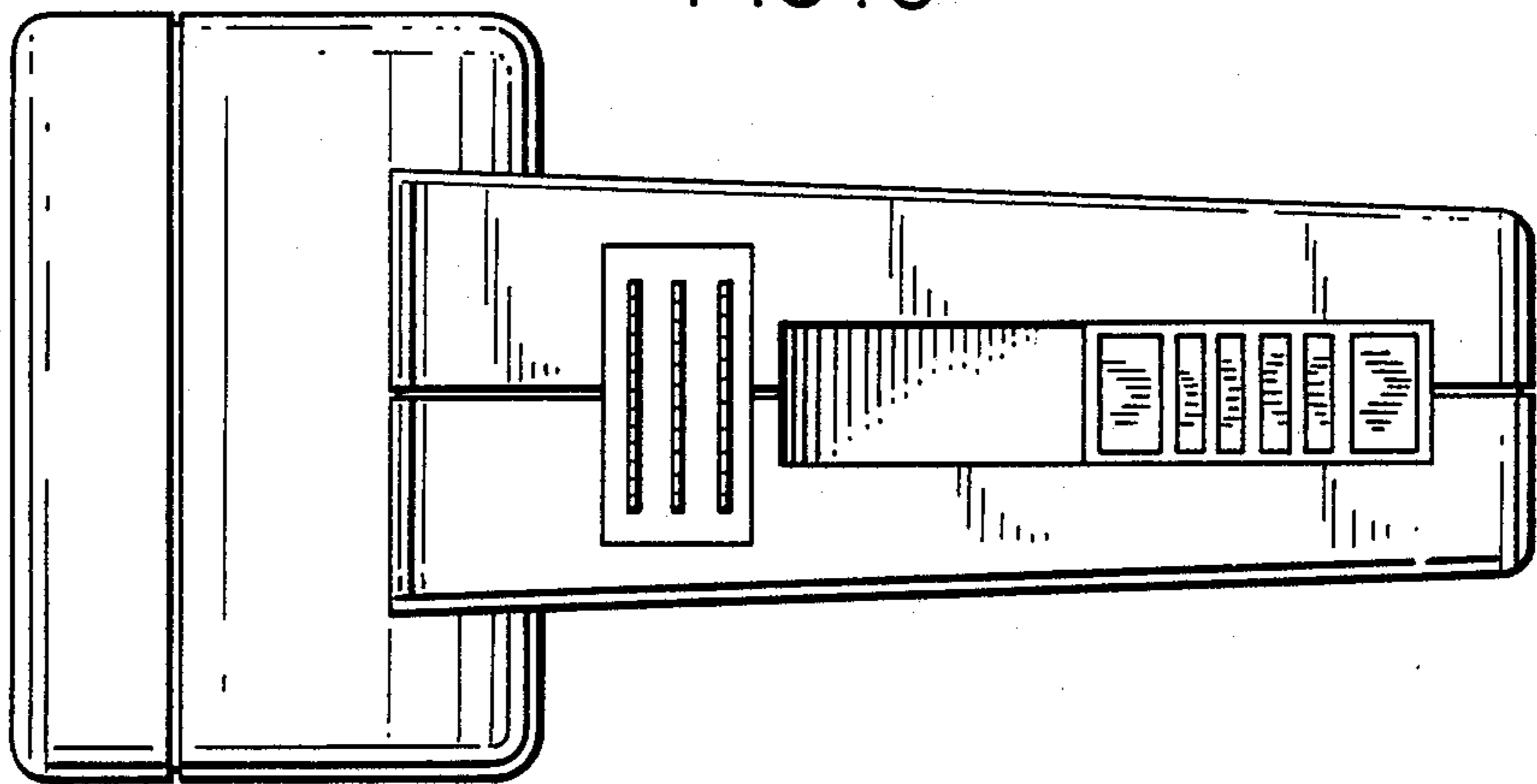
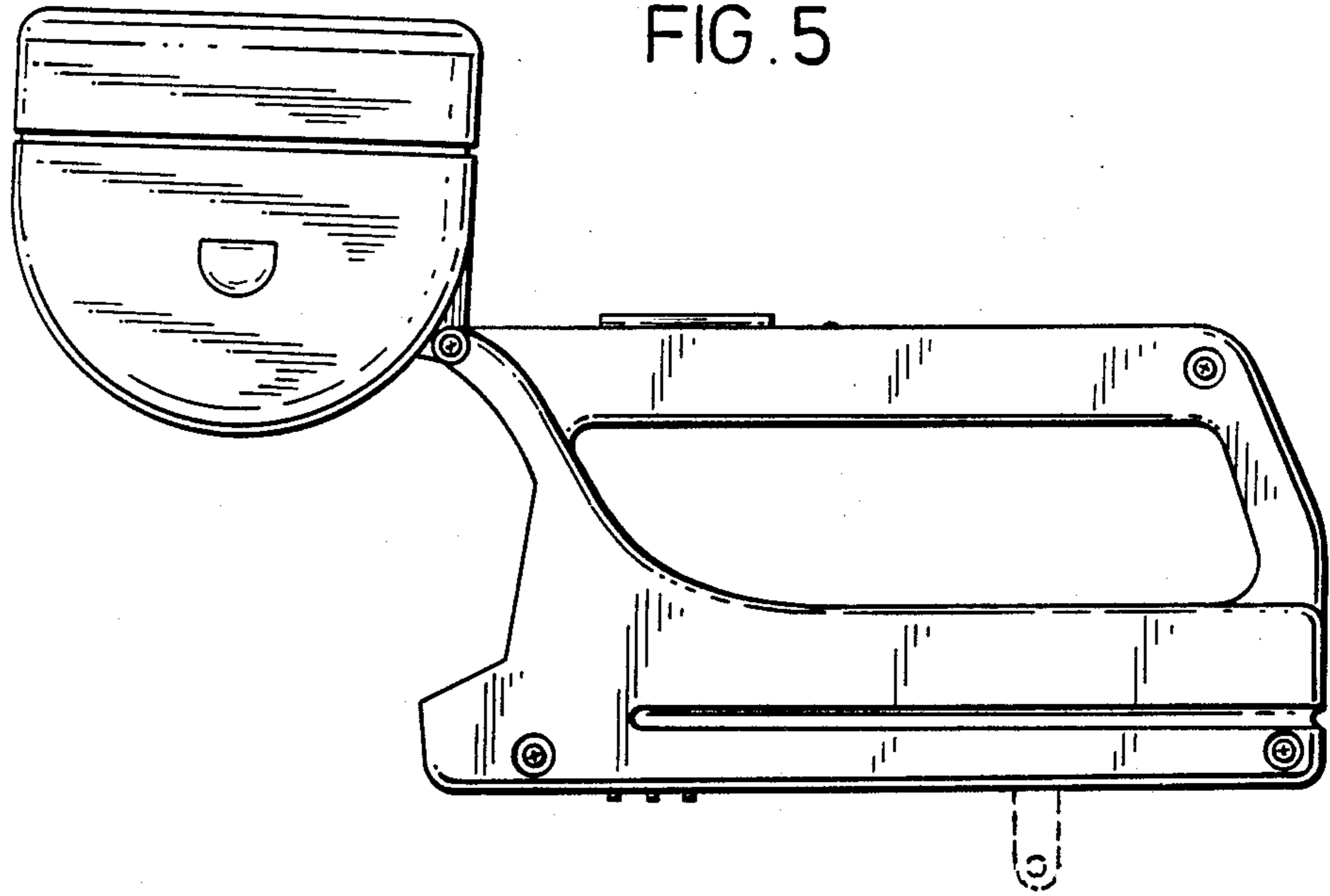


FIG. 5



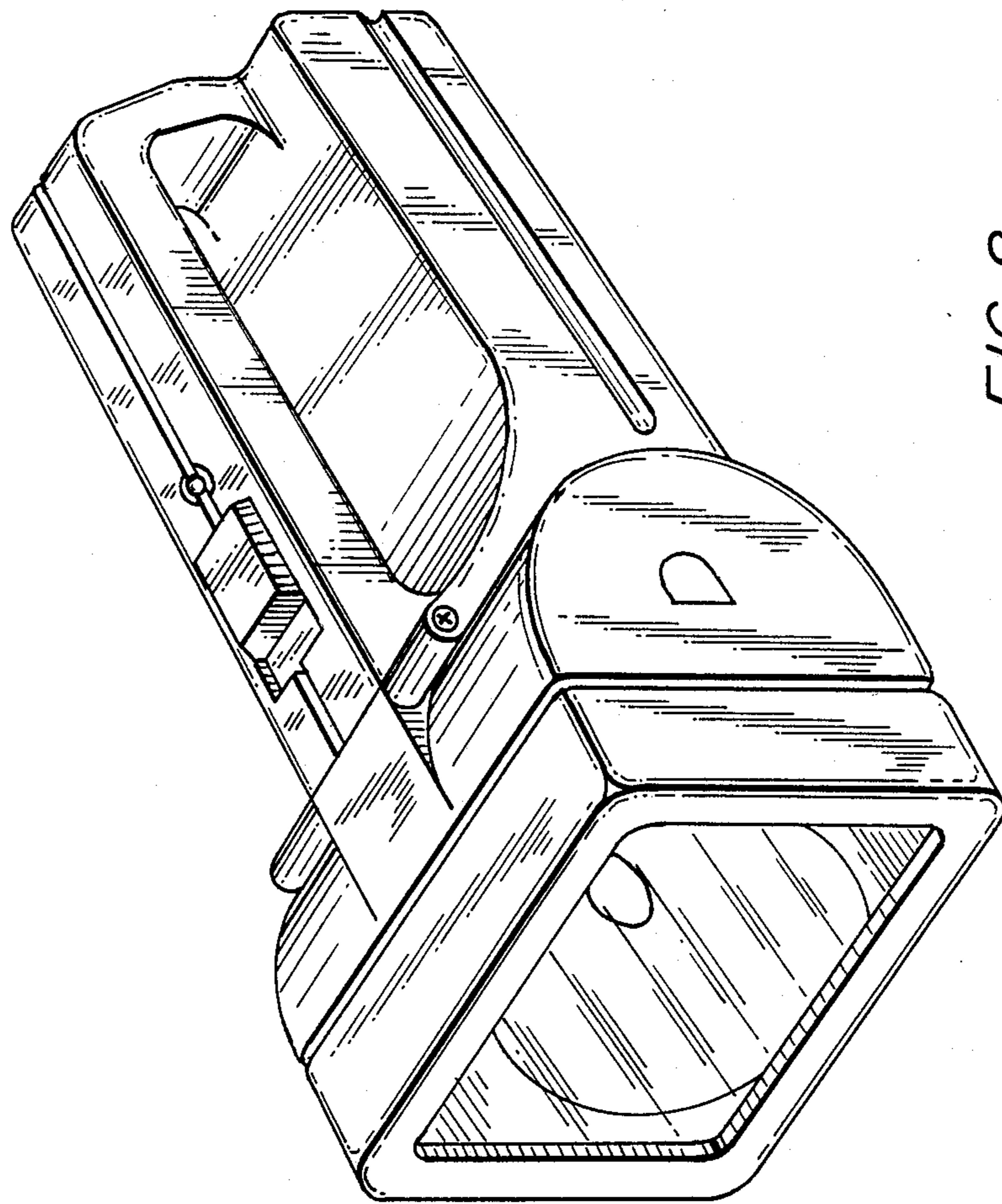


FIG. 8