

[54] **ELECTRIC TORCH**

[75] **Inventor: Andrew Gibson, St Neots, England**

[73] **Assignee: Vulcan UK Company, United Kingdom**

[**] **Term: 14 Years**

[21] **Appl. No.: 154,630**

[22] **Filed: Feb. 10, 1988**

[30] **Foreign Application Priority Data**

Aug. 27, 1987 [GB] United Kingdom 1044459

[52] **U.S. Cl.** D26/42

[58] **Field of Search** D26/37-50;
362/157-158, 183-208

[56]

References Cited

U.S. PATENT DOCUMENTS

D. 208,842 10/1967 Burkhardt D26/38 X
D. 282,584 2/1986 Hung D26/42
D. 300,260 3/1989 Segeren D26/39
D. 303,295 9/1989 Yuen D26/42

OTHER PUBLICATIONS

Hardware Age Item Panasonic Lightpen, p. 32, 9-1985.

Primary Examiner—Wallace R. Burke

Assistant Examiner—M. H. Tung

Attorney, Agent, or Firm—Davis, Bujold & Streck

[57]

CLAIM

The ornamental design for an electric torch, as shown.

DESCRIPTION

FIG. 1 is a top perspective view of an electric torch showing my new design;

FIG. 2 is a side elevational view thereof;

FIG. 3 is a rear elevational view thereof;

FIG. 4 is a bottom plan view thereof.

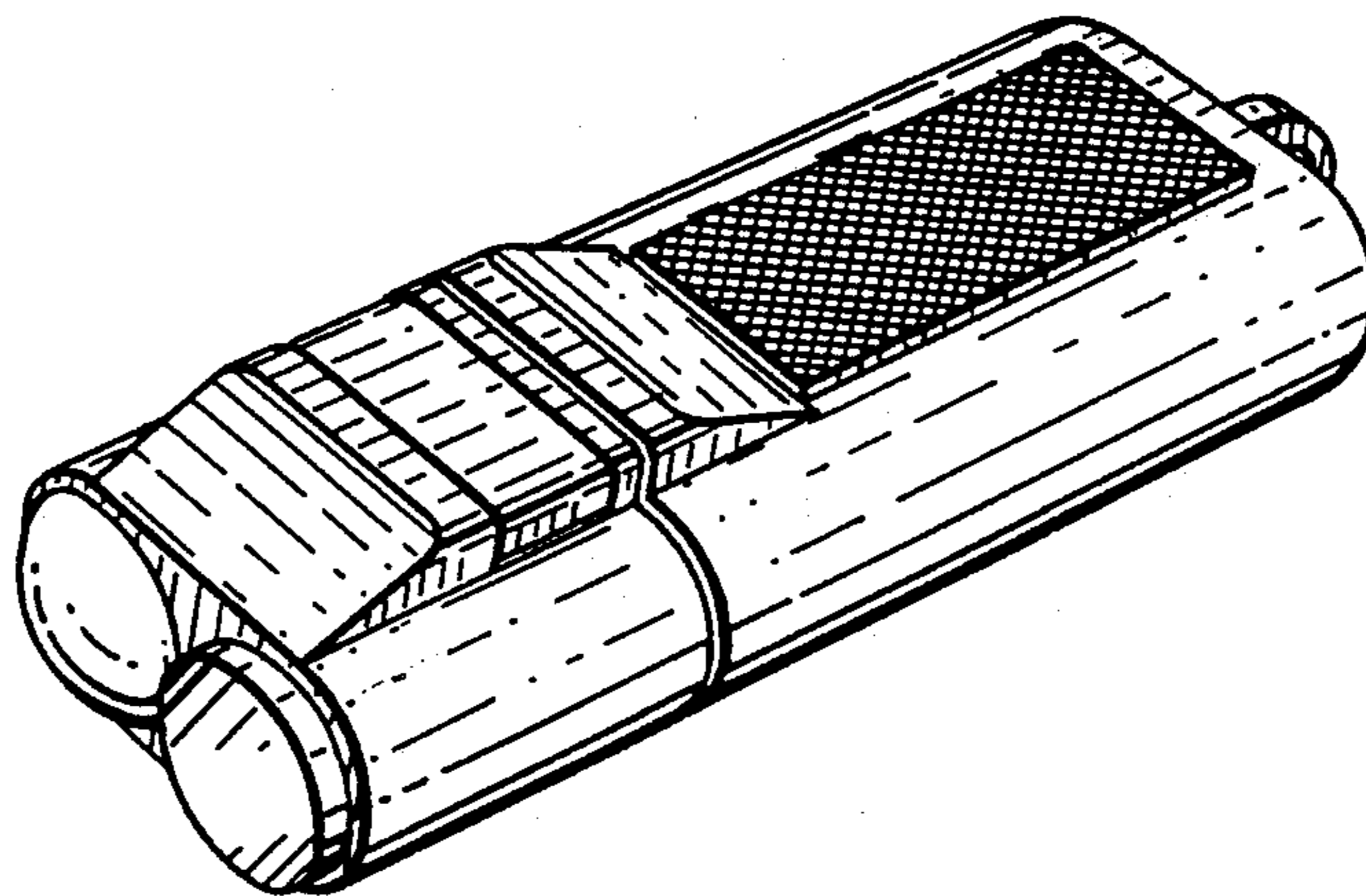


FIG. 1

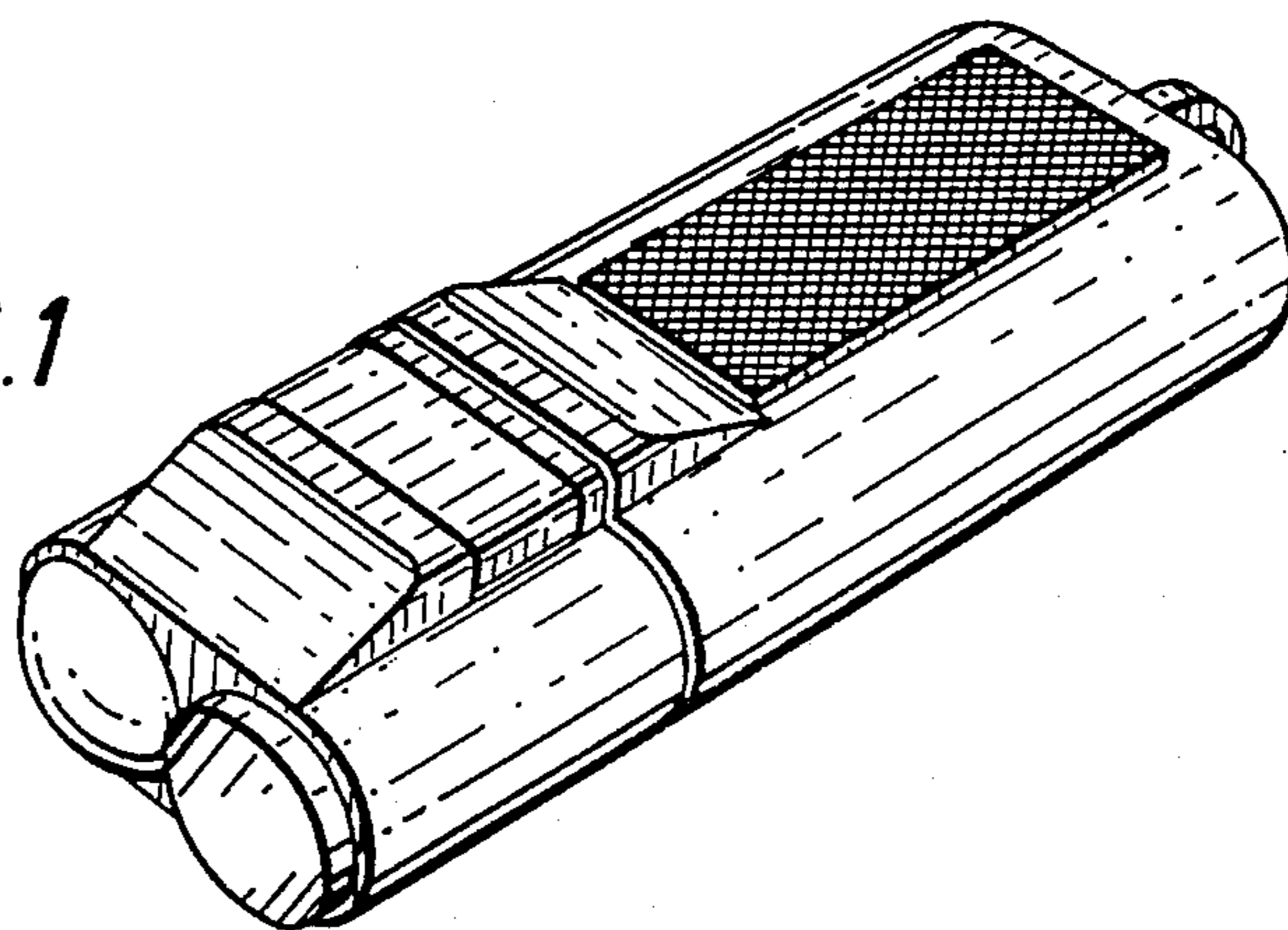


FIG. 2

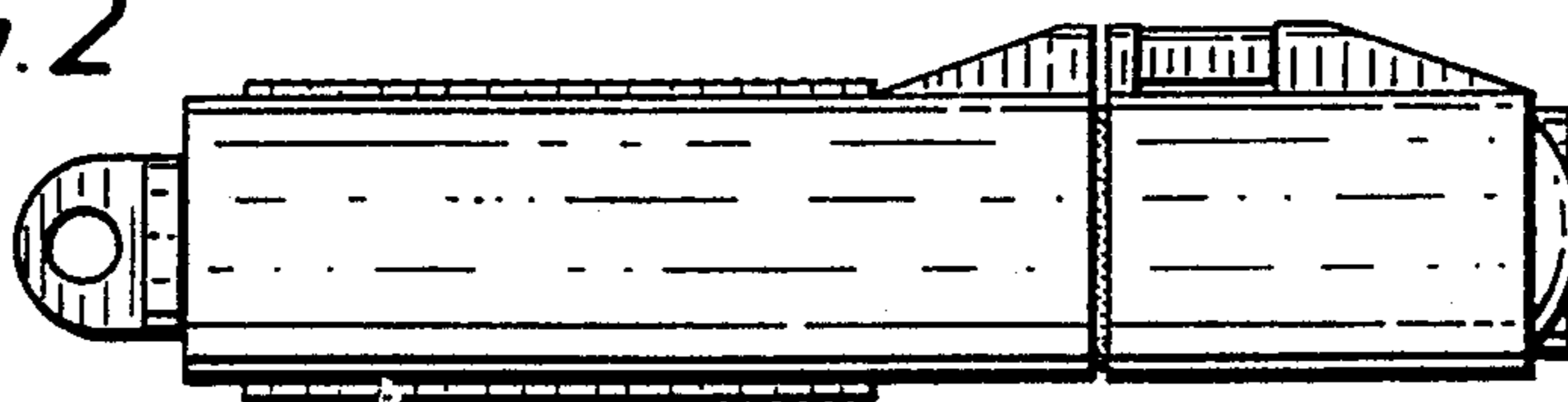


FIG. 3

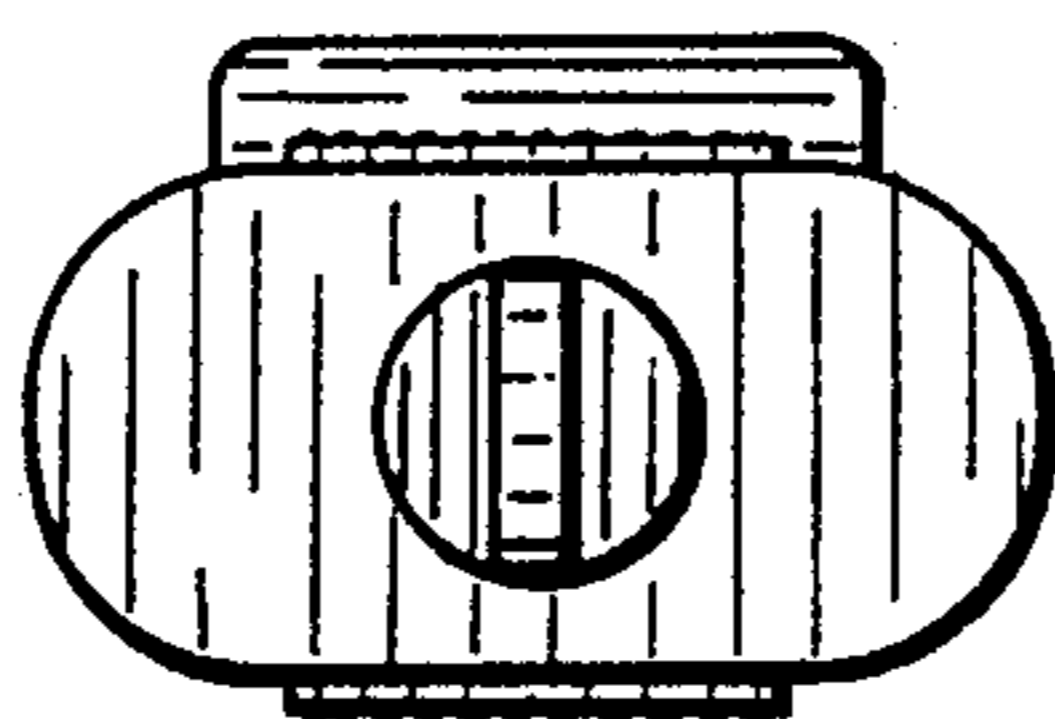


FIG. 4

