

[54] EXTRUSION FOR SHELVING AND THE LIKE

[75] Inventor: Irving W. Shell, Pompano Beach, Fla.

[73] Assignee: Friedkin Industries, Inc., Boca Raton, Fla.

[\*\*] Term: 14 Years

[21] Appl. No.: 150,705

[22] Filed: Feb. 1, 1988

[52] U.S. Cl. .... D25/119

[58] Field of Search ..... D25/47, 52, 60, 119, D25/124; 52/730, 732, 738; 312/111, 187; 403/252, 254, 255, 256, 248, 263

[56] References Cited

U.S. PATENT DOCUMENTS

- 241,536 9/1976 Shell ..... 25/1
- D. 242,034 10/1976 Drawsky et al. .... D25/119
- 3,250,584 5/1966 Tassell ..... 312/111

3,661,434	5/1972	Alster .....	312/111
3,866,364	2/1975	Pollard .....	52/738
4,345,849	8/1982	Stenemann .....	403/252
4,490,064	12/1984	Ducharme .....	403/252
4,583,359	4/1986	Staeger .....	403/255
4,641,983	2/1987	Strässle .....	403/252

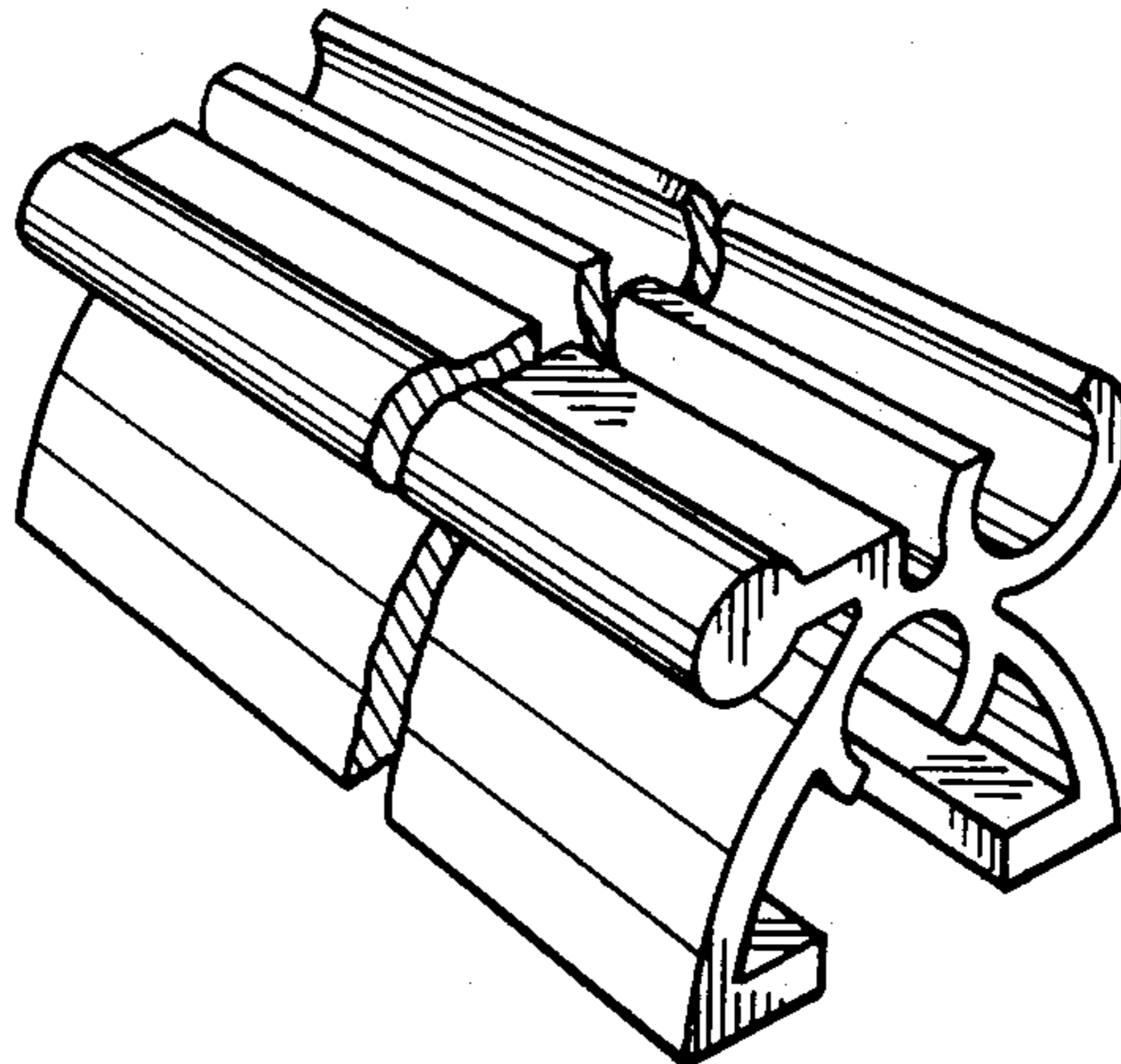
Primary Examiner—A. Hugo Word  
Assistant Examiner—Doris Clark  
Attorney, Agent, or Firm—Richard M. Saccocio

[57] CLAIM

The ornamental design for an extrusion for shelving and the like, as shown and described.

DESCRIPTION

FIG. 1 is a perspective view of an extrusion for shelving and the like showing my new design, the extrusion being broken away to show indefinite length;  
FIG. 2 is a side elevational view thereof;  
FIG. 3 is a top plan view thereof;  
FIG. 4 is a bottom plan view thereof;  
FIG. 5 is a right side elevational view thereof; and  
FIG. 6 is a left side elevational view thereof.



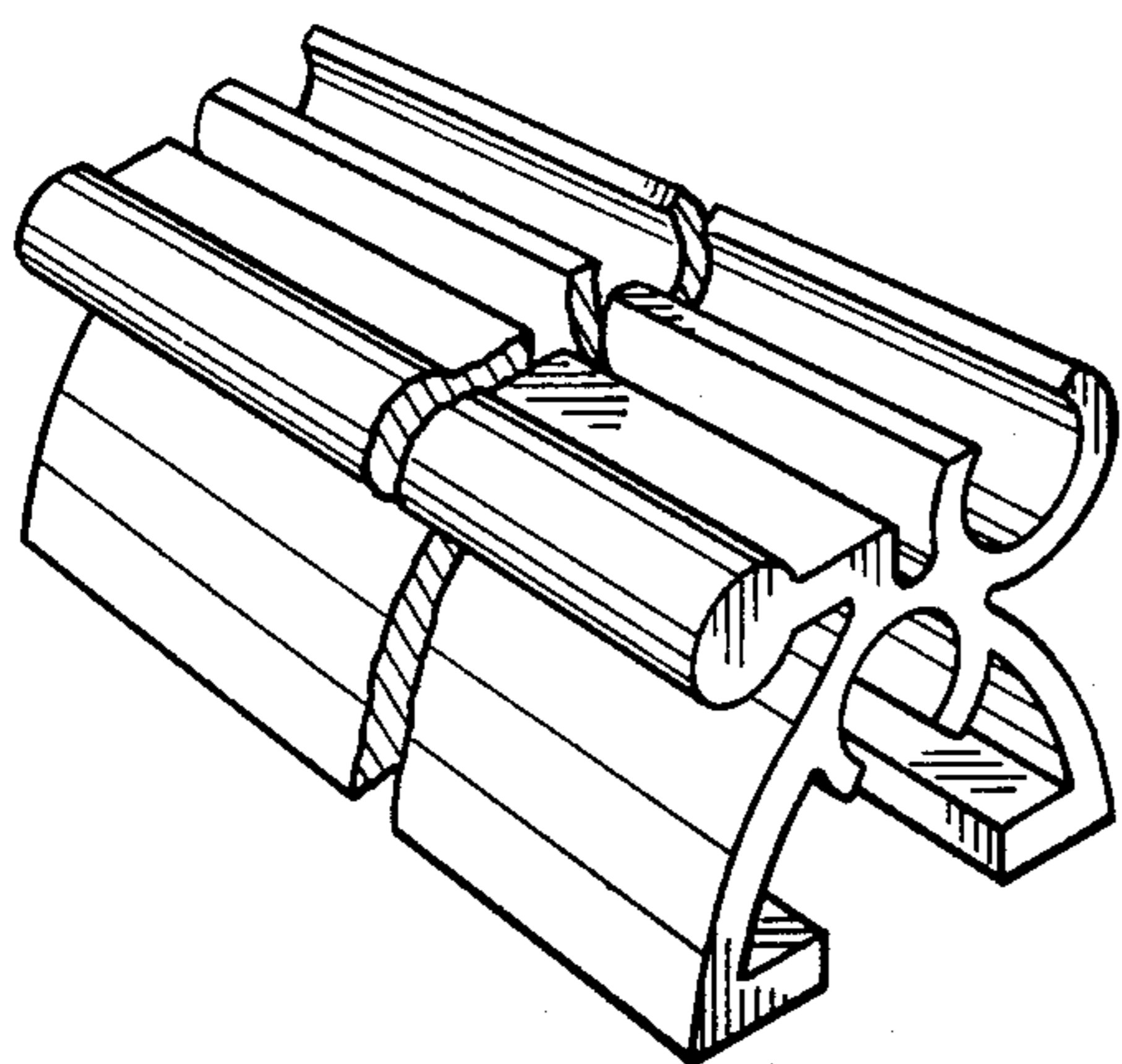


FIG. 1

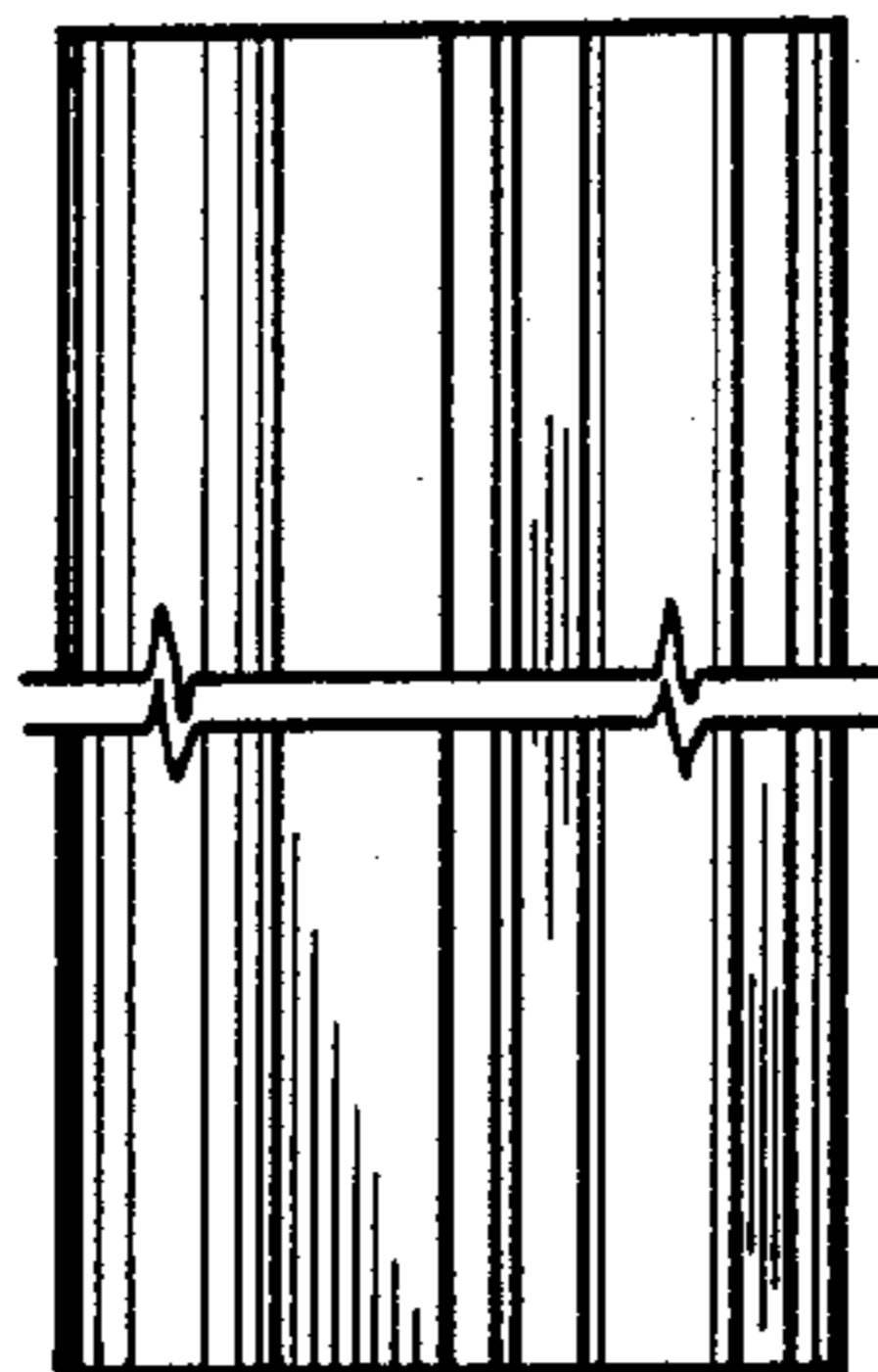


FIG. 3

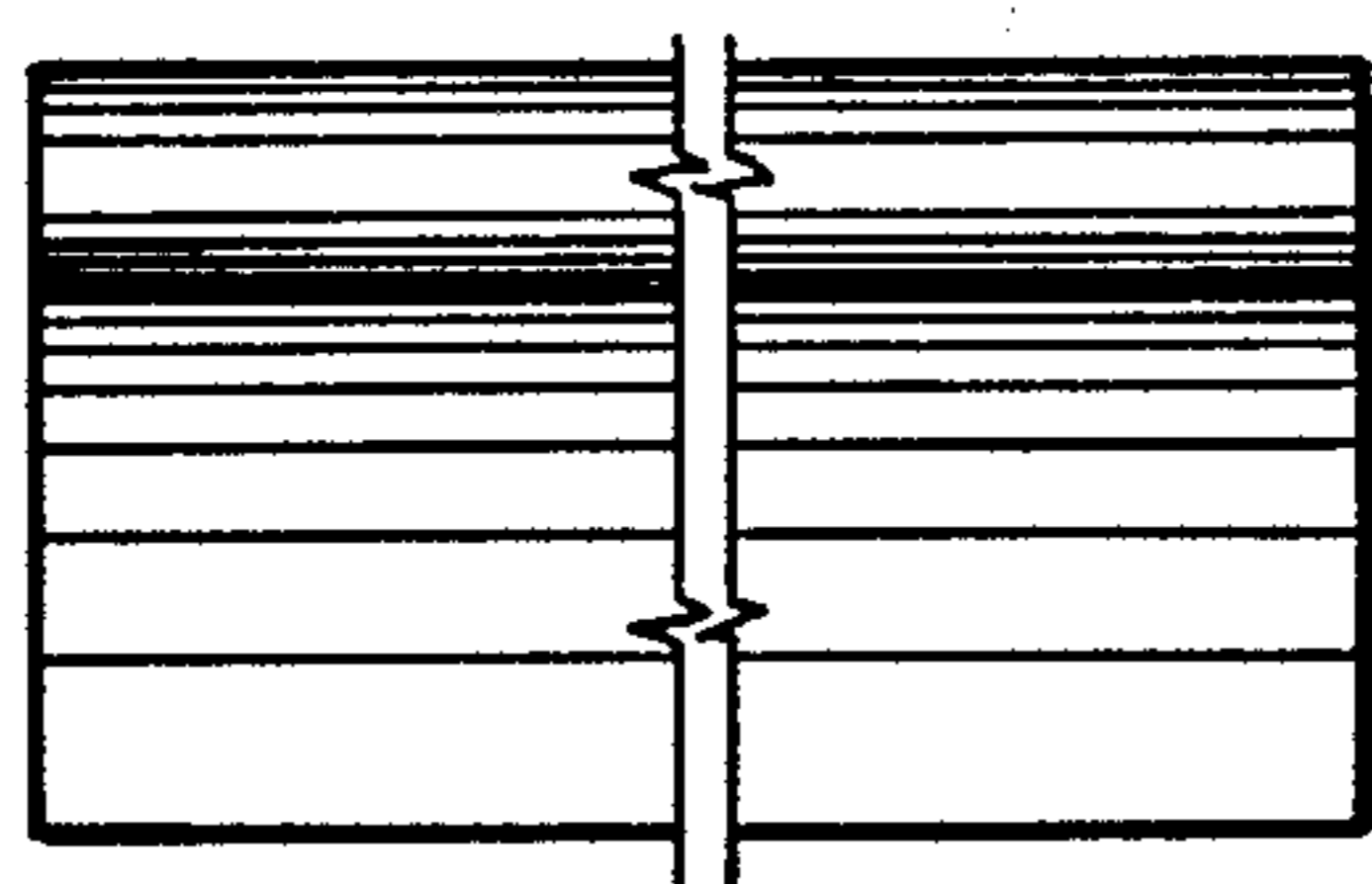


FIG. 6

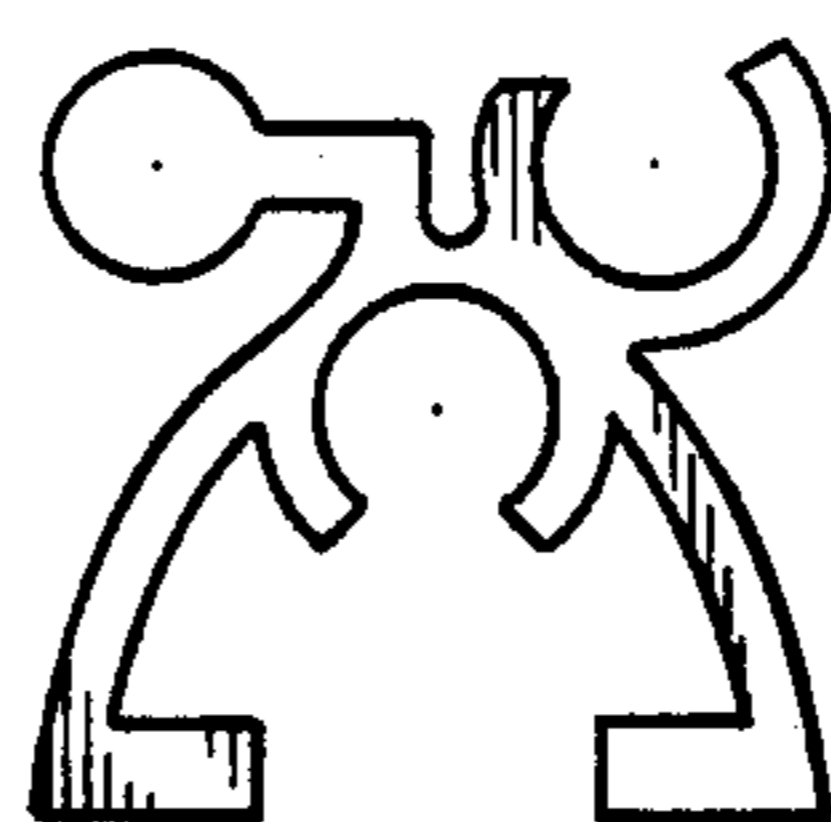


FIG. 2

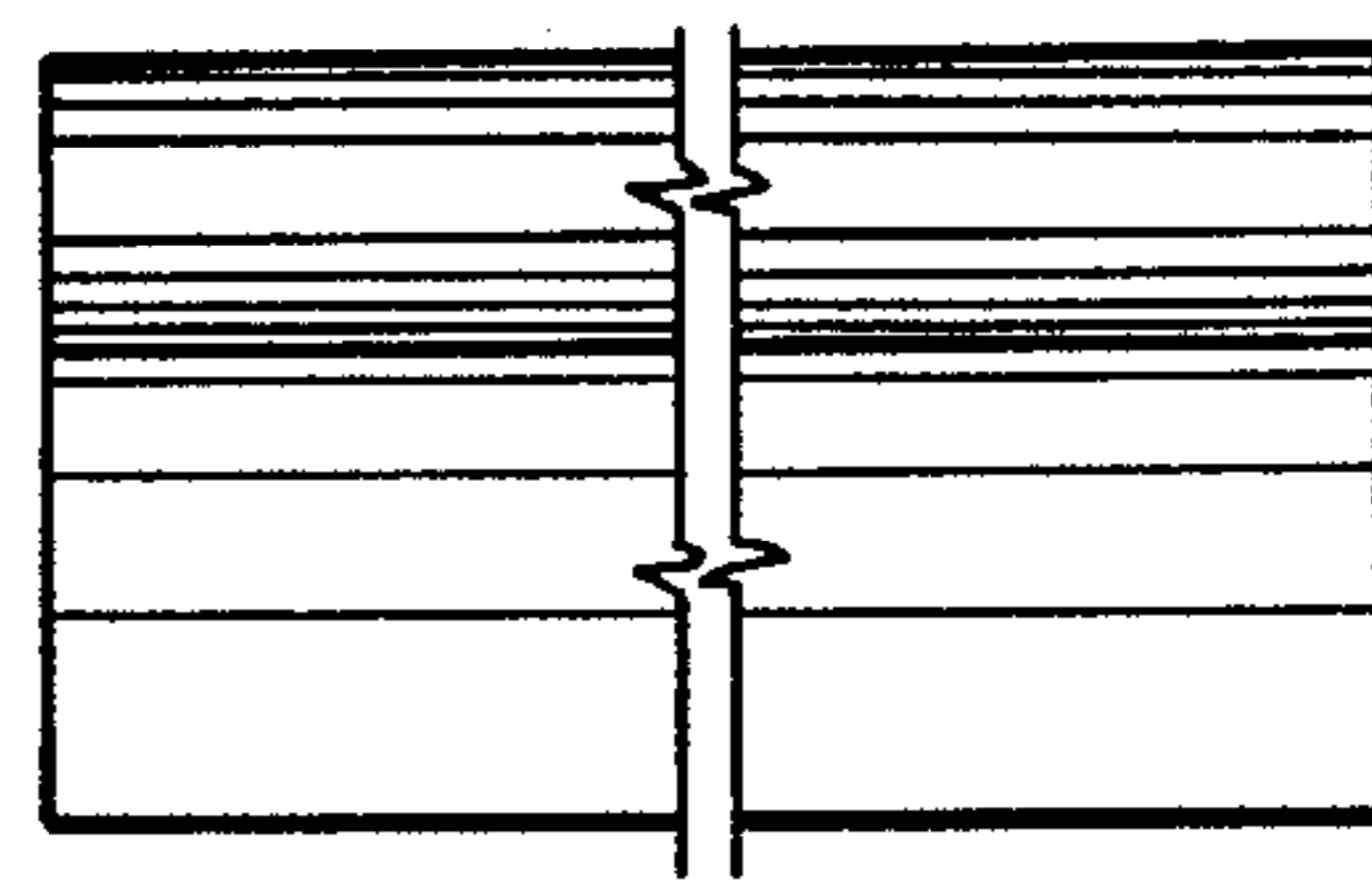


FIG. 5

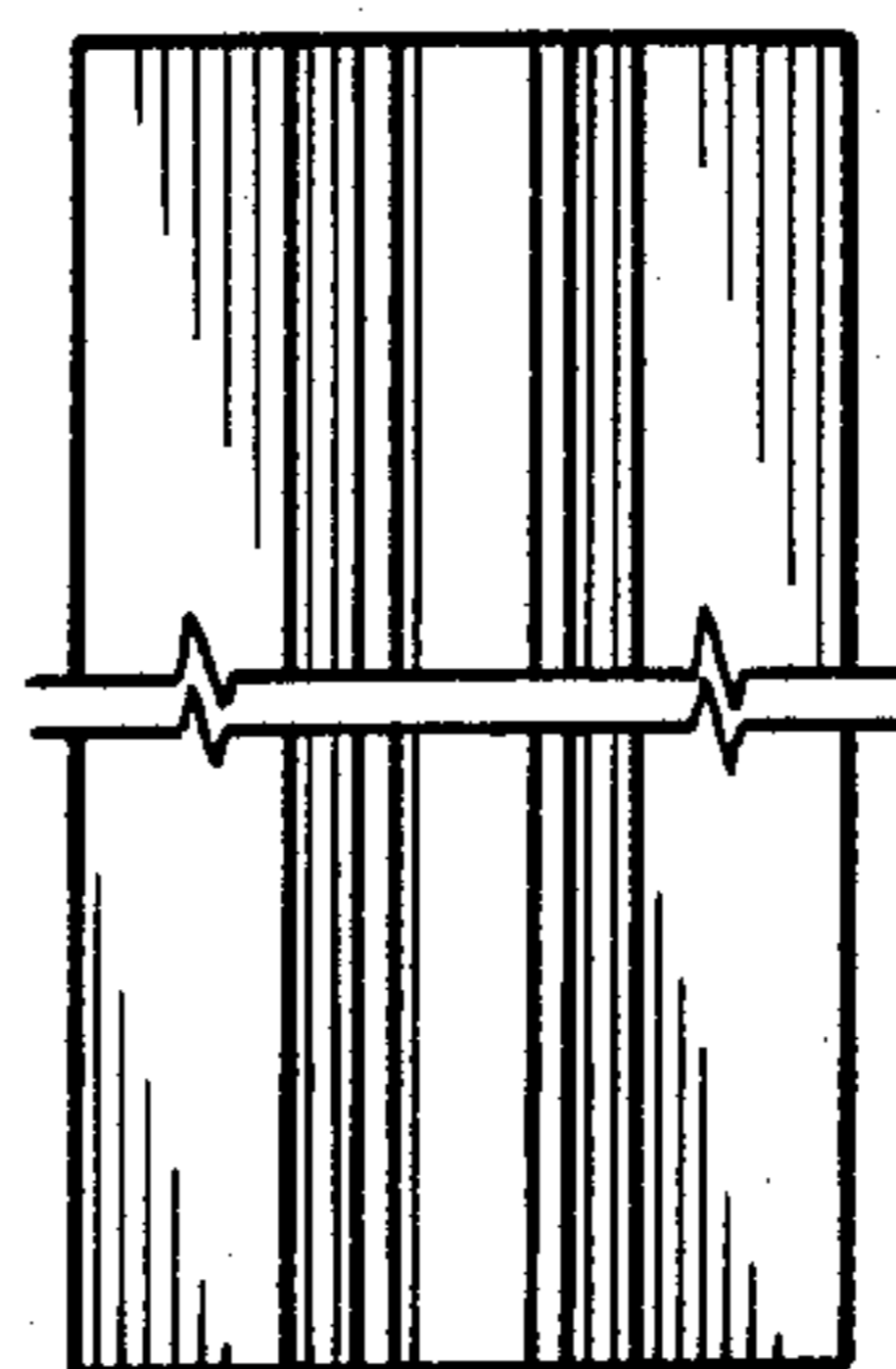


FIG. 4