

[54] COMBINED MEDICAL INSTRUMENTS  
CASE AND STERILIZER

4,671,943 6/1987 Wahlquist ..... 206/439 X  
4,798,292 1/1989 Hauze ..... 206/439

[76] Inventor: Gary K. Michelson, 438 Sherman  
Canal, Venice, Calif. 90291

Primary Examiner—A. Hugo Word  
Assistant Examiner—Stella M. Reid  
Attorney, Agent, or Firm—Lewis Anten

[\*\*] Term: 14 Years

[21] Appl. No.: 121,598

[57] CLAIM

The ornamental design for a combined medical instru-  
ments case and sterilizer, as shown.

[22] Filed: Nov. 16, 1987

[52] U.S. Cl. .... D24/9

[58] Field of Search ..... D24/31, 9; 206/368,  
206/363, 370, 210, 439; 422/310, 300; 210/300;  
220/256; D9/414

DESCRIPTION

FIG. 1 is a right perspective view of a combined medi-  
cal instruments case and sterilizer, showing my new  
design;

FIG. 2 is a front elevational view thereof, the rear ele-  
vational view being identical;

FIG. 3 is a right end elevational view thereof;

FIG. 4 is a left end elevational view thereof;

FIG. 5 is a top plan view thereof; and

FIG. 6 is a bottom plan view thereof.

[56] References Cited

U.S. PATENT DOCUMENTS

- D. 295,074 4/1988 Jerge et al. .... D24/9
- D. 295,075 4/1988 Jerge et al. .... D24/9
- 3,723,061 3/1973 Stahl ..... 206/370 X
- 4,551,311 11/1985 Lorenz ..... 220/256

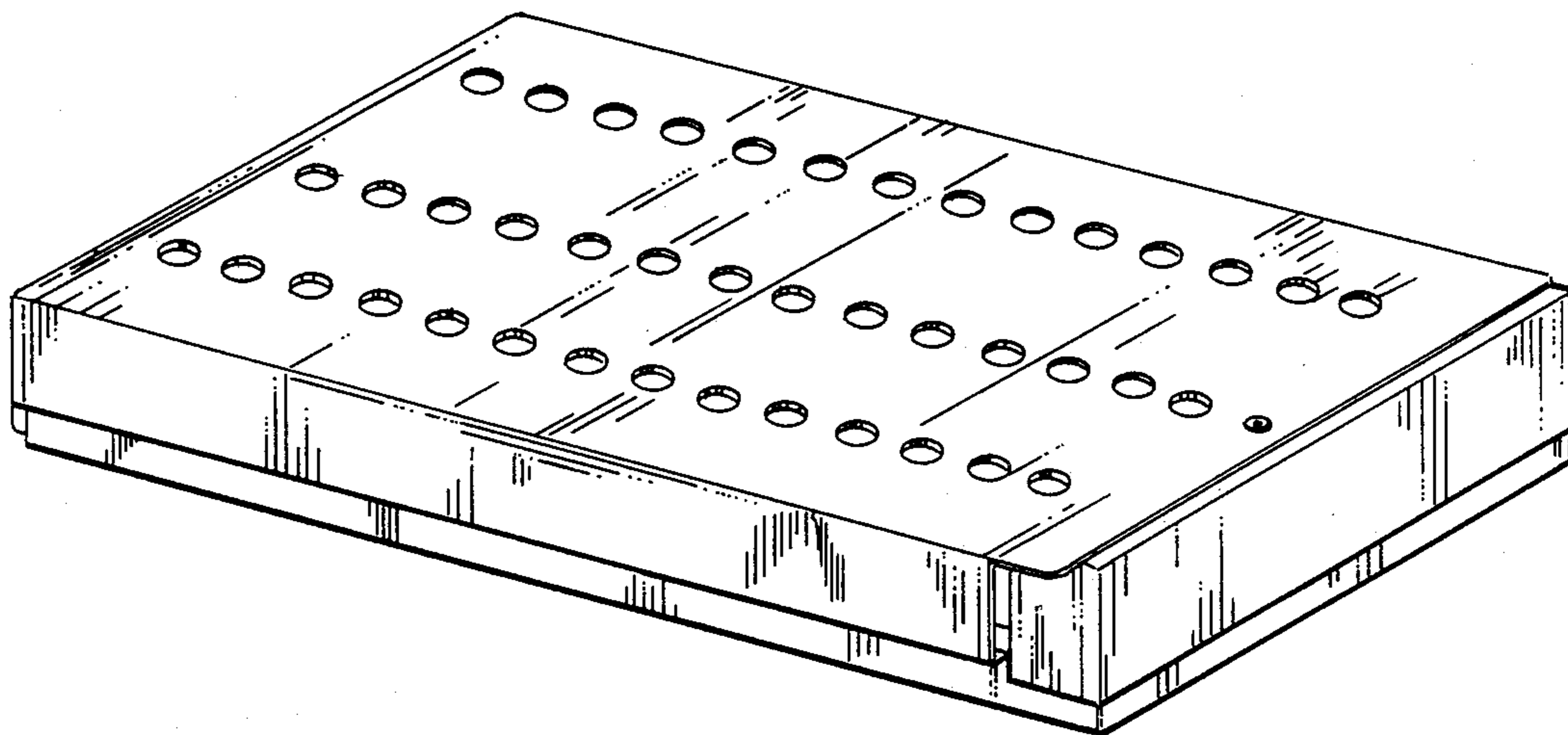


FIG. 1

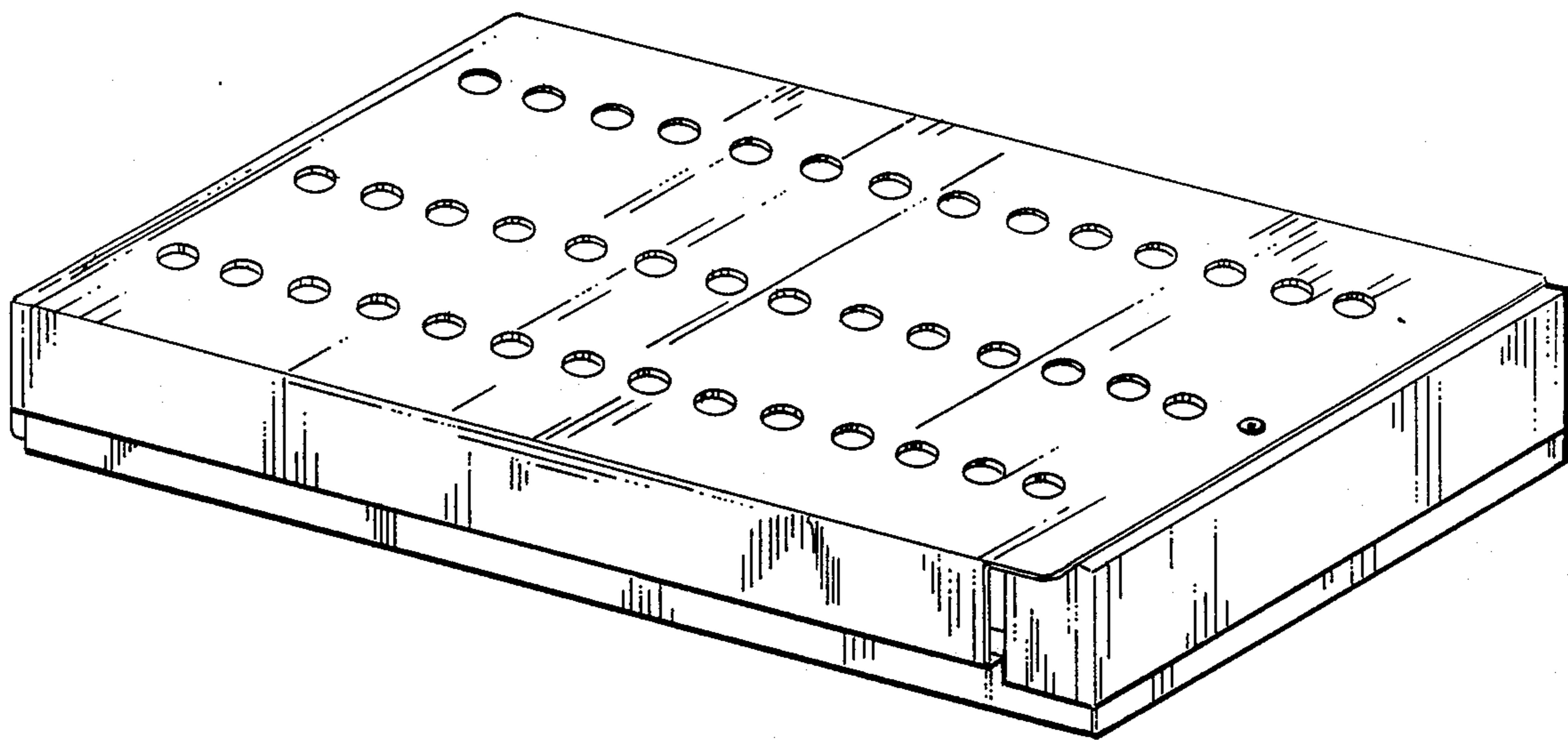


FIG. 2

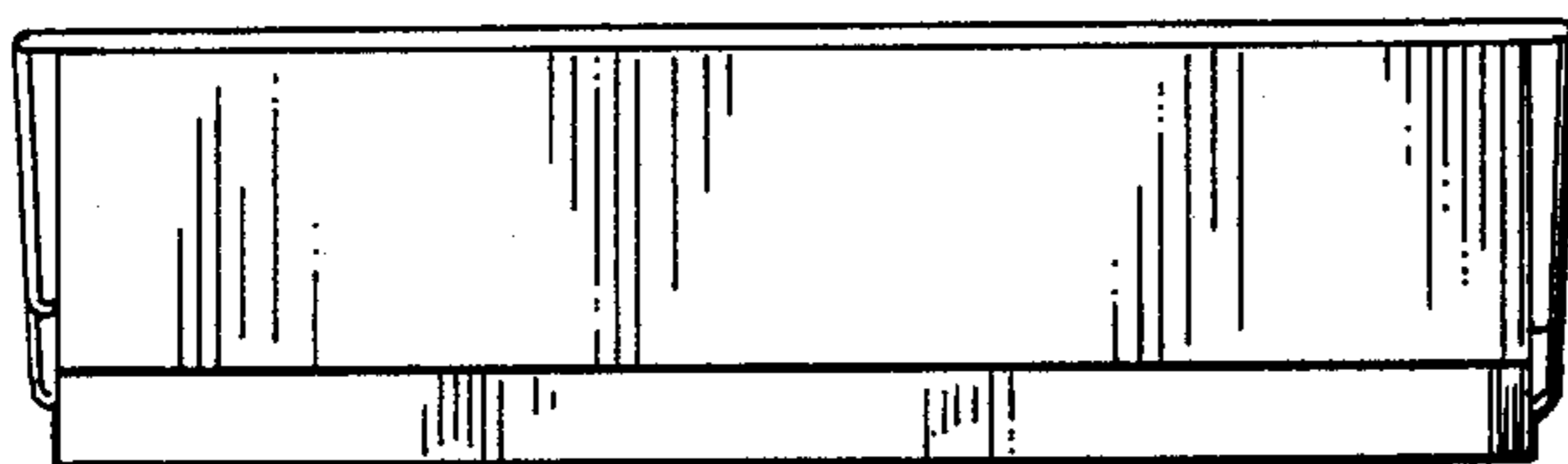
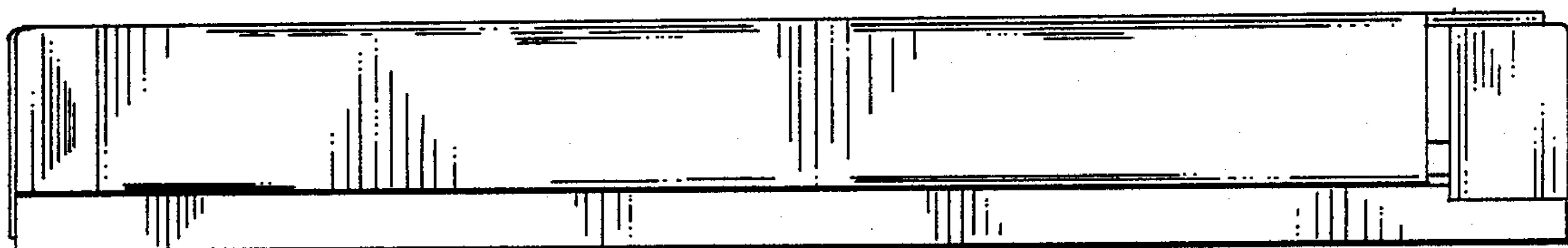
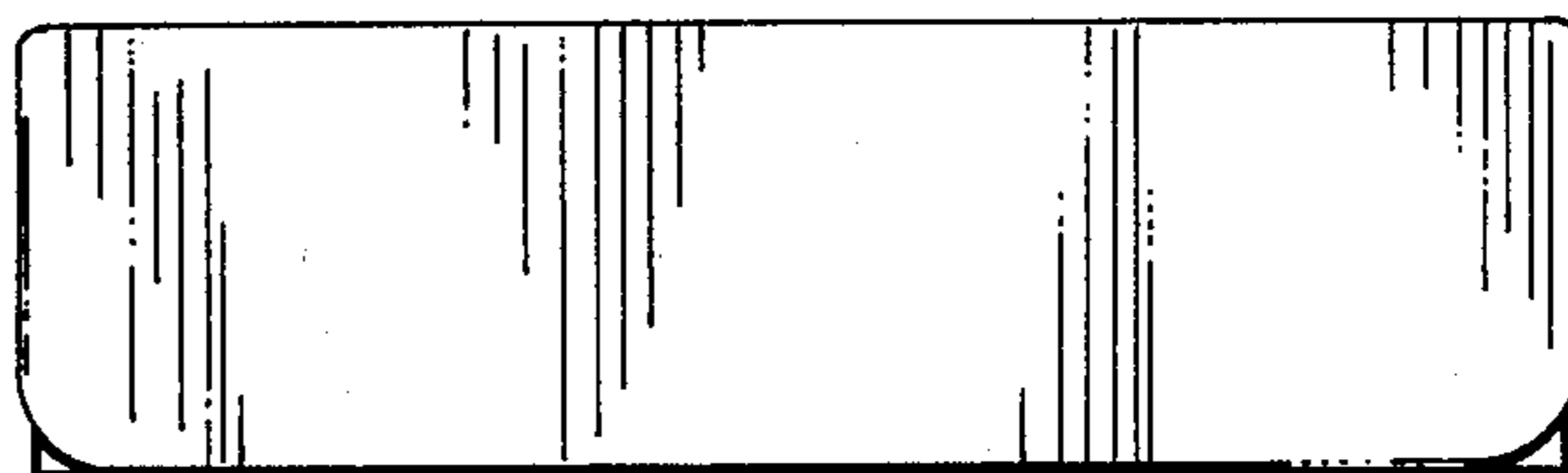


FIG. 3

FIG. 4



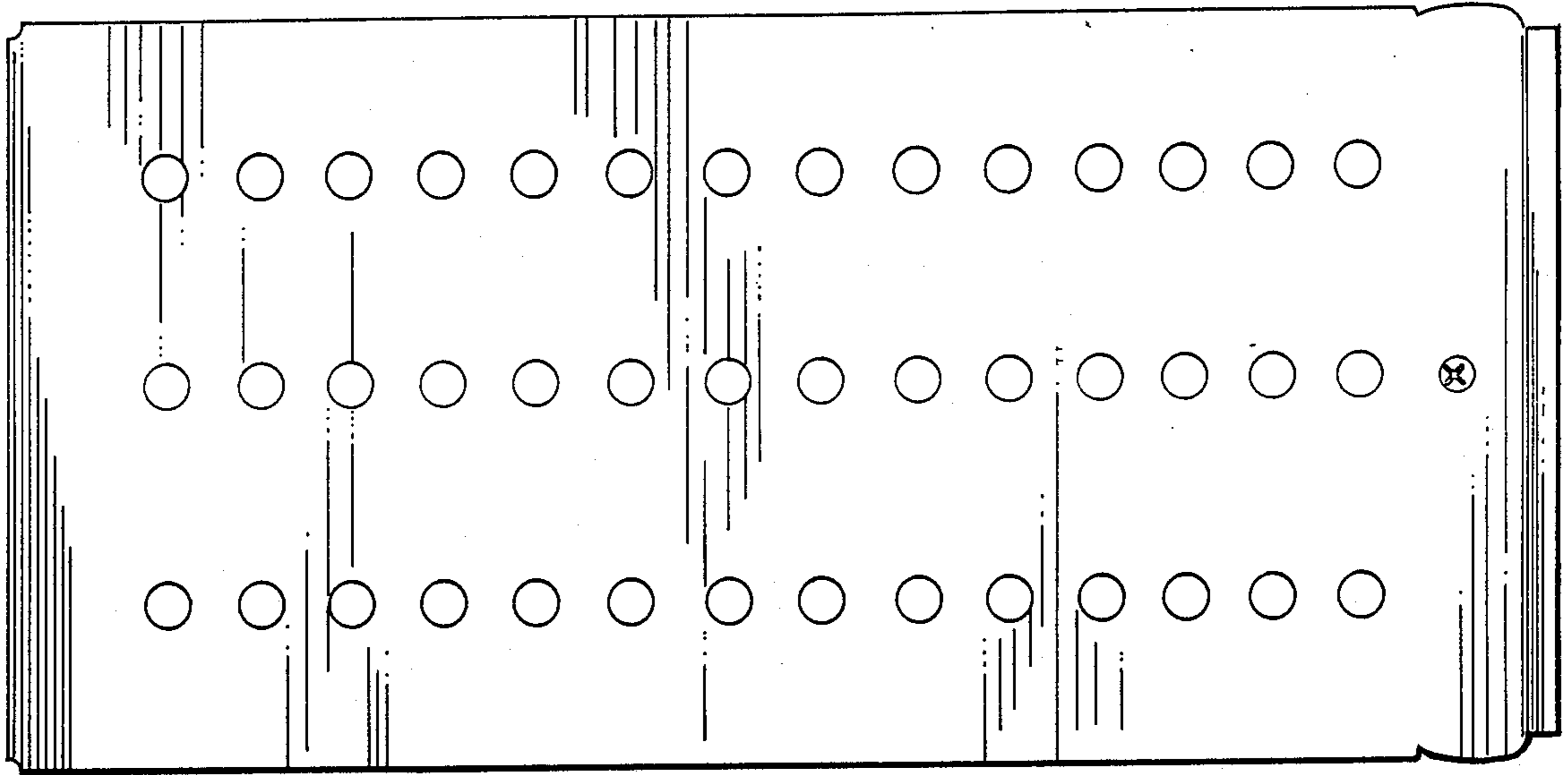


FIG. 5

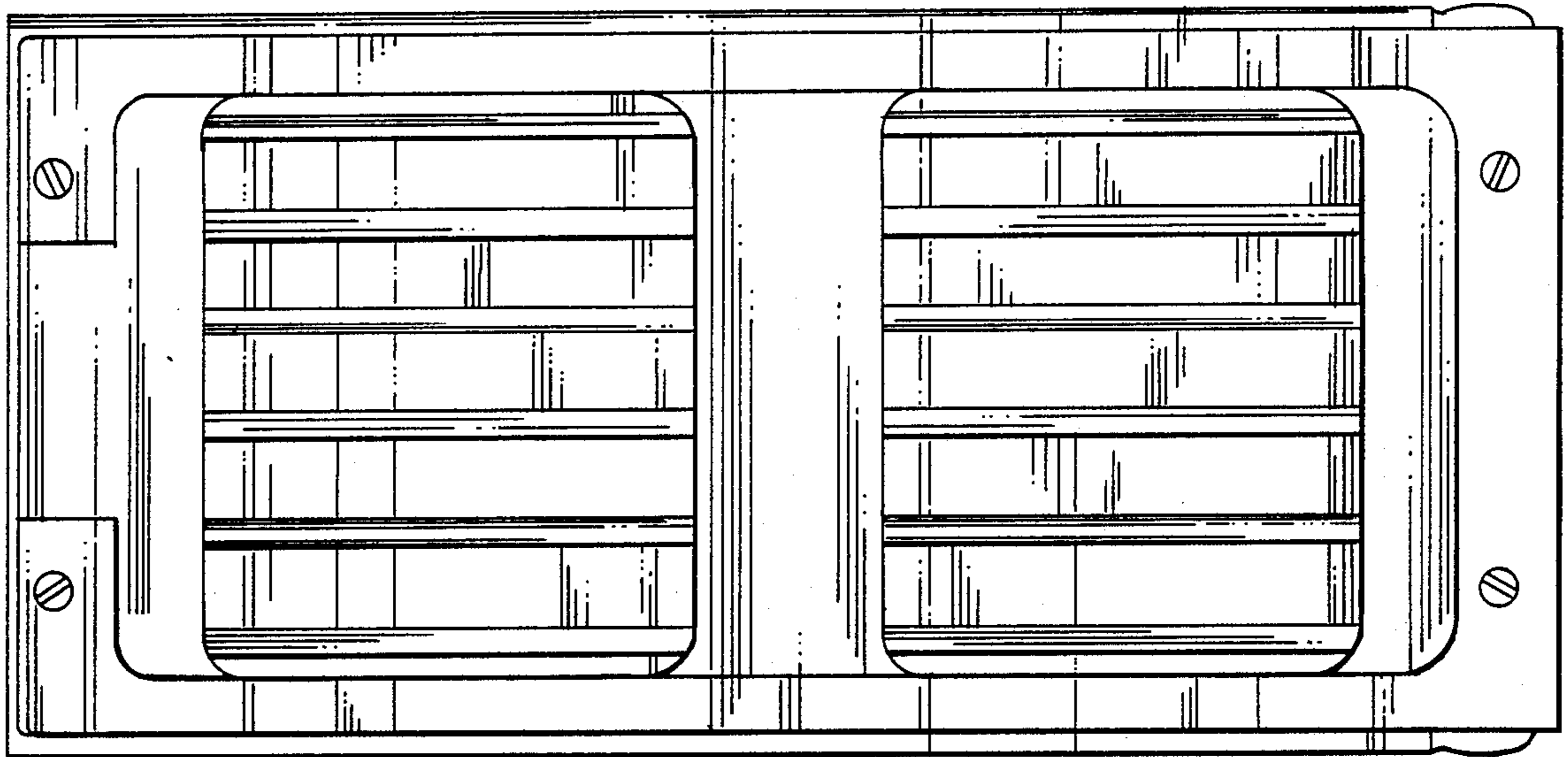


FIG. 6