

United States Patent [19]
Odegaard

[11] **Patent Number: Des. 313,650**
[45] **Date of Patent: ** Jan. 8, 1991**

[54] **ROTARY ACTUATOR FOR A DAMPER**

[75] **Inventor: Larry G. Odegaard, Thief River Falls, Minn.**

[73] **Assignee: Kreuter Mfg. Co., Inc., New Paris, Ind.**

[**] **Term: 14 Years**

[21] **Appl. No.: 135,755**

[22] **Filed: Dec. 21, 1987**

[52] **U.S. Cl. D23/386**

[58] **Field of Search D23/392, 386, 393; 251/58**

[56] **References Cited**

U.S. PATENT DOCUMENTS

D. 129,746 9/1941 Malone D23/386
3,386,338 6/1968 King 251/58
3,985,151 10/1976 Smith 251/58

4,094,231 6/1978 Carr 251/58
4,527,769 7/1985 Stogner et al. 251/58
4,794,847 1/1989 Kreuter et al. 251/58

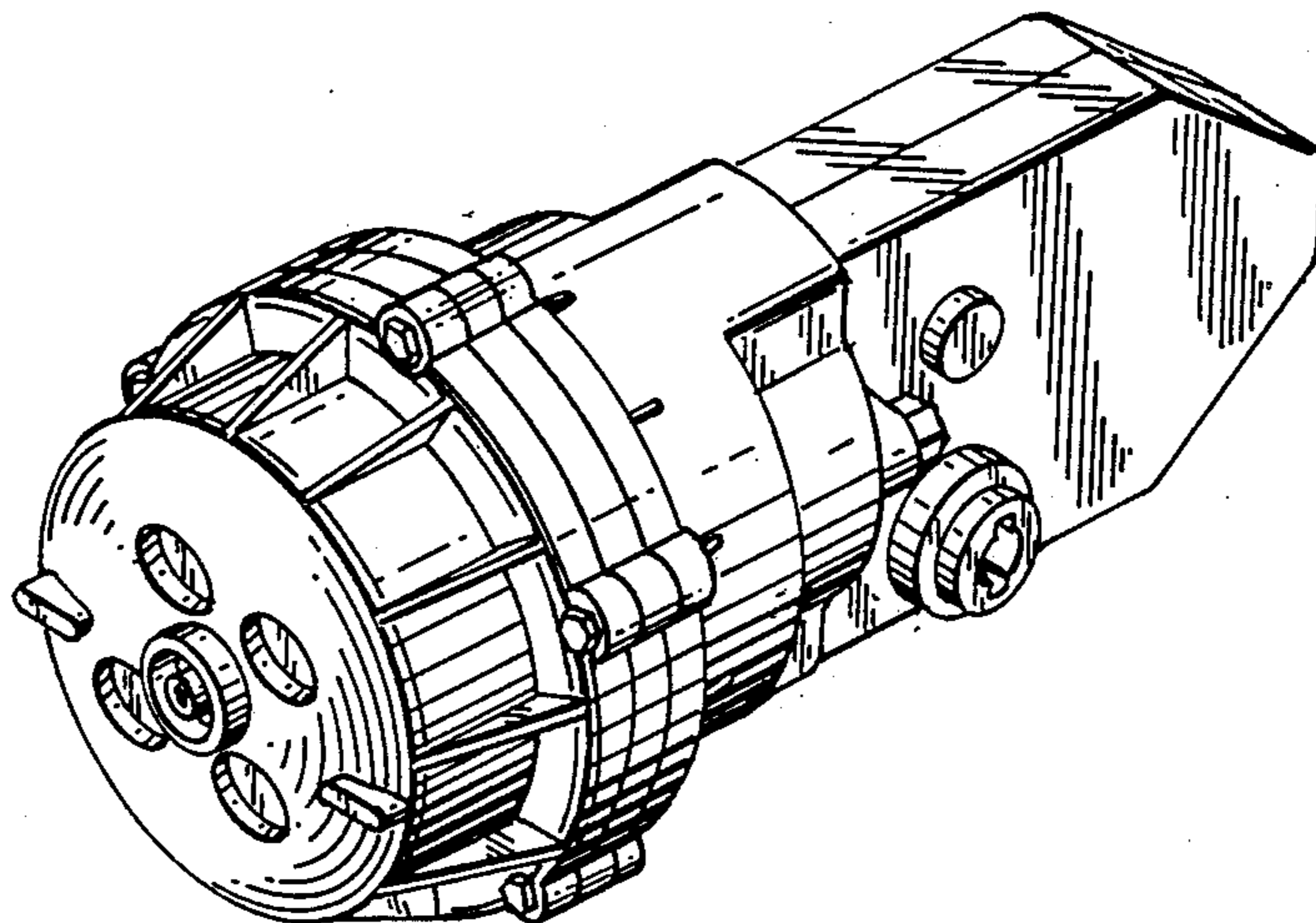
Primary Examiner—James M. Gandy
Assistant Examiner—Lisa Lichtenstein
Attorney, Agent, or Firm—Kinney & Lange

[57] **CLAIM**

The ornamental design for a rotary actuator for a damper, as shown.

DESCRIPTION

FIG. 1 is a perspective view of a rotary actuator for a damper, showing my new design; FIG. 2 is an enlarged top plan view thereof; FIGS. 3 and 4 are, respectively, enlarged end elevational views thereof; FIG. 5 is an enlarged bottom plan view thereof; and FIGS. 6 and 7 are, respectively, enlarged front and rear elevational views thereof.



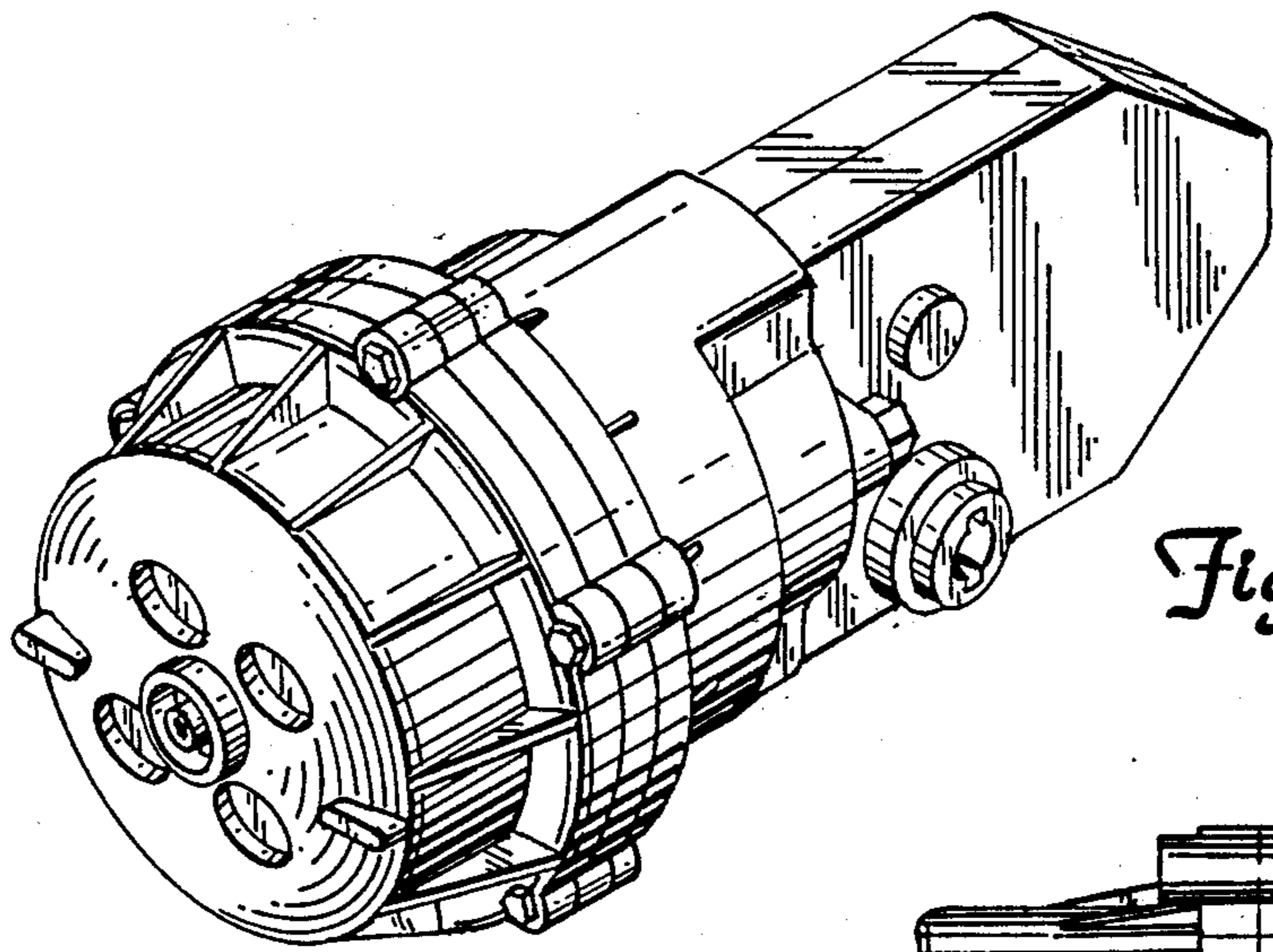


Fig. 1

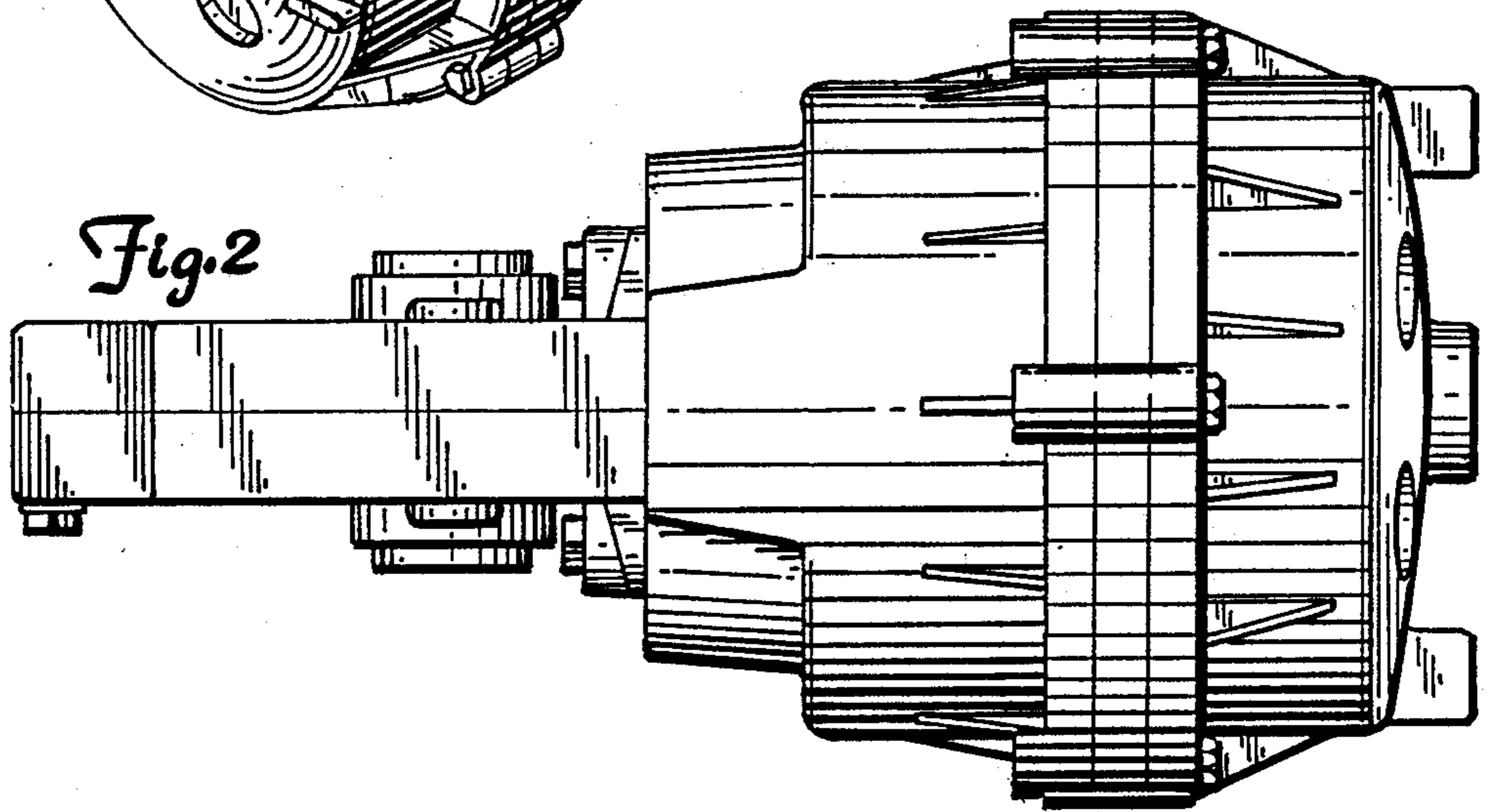


Fig. 2

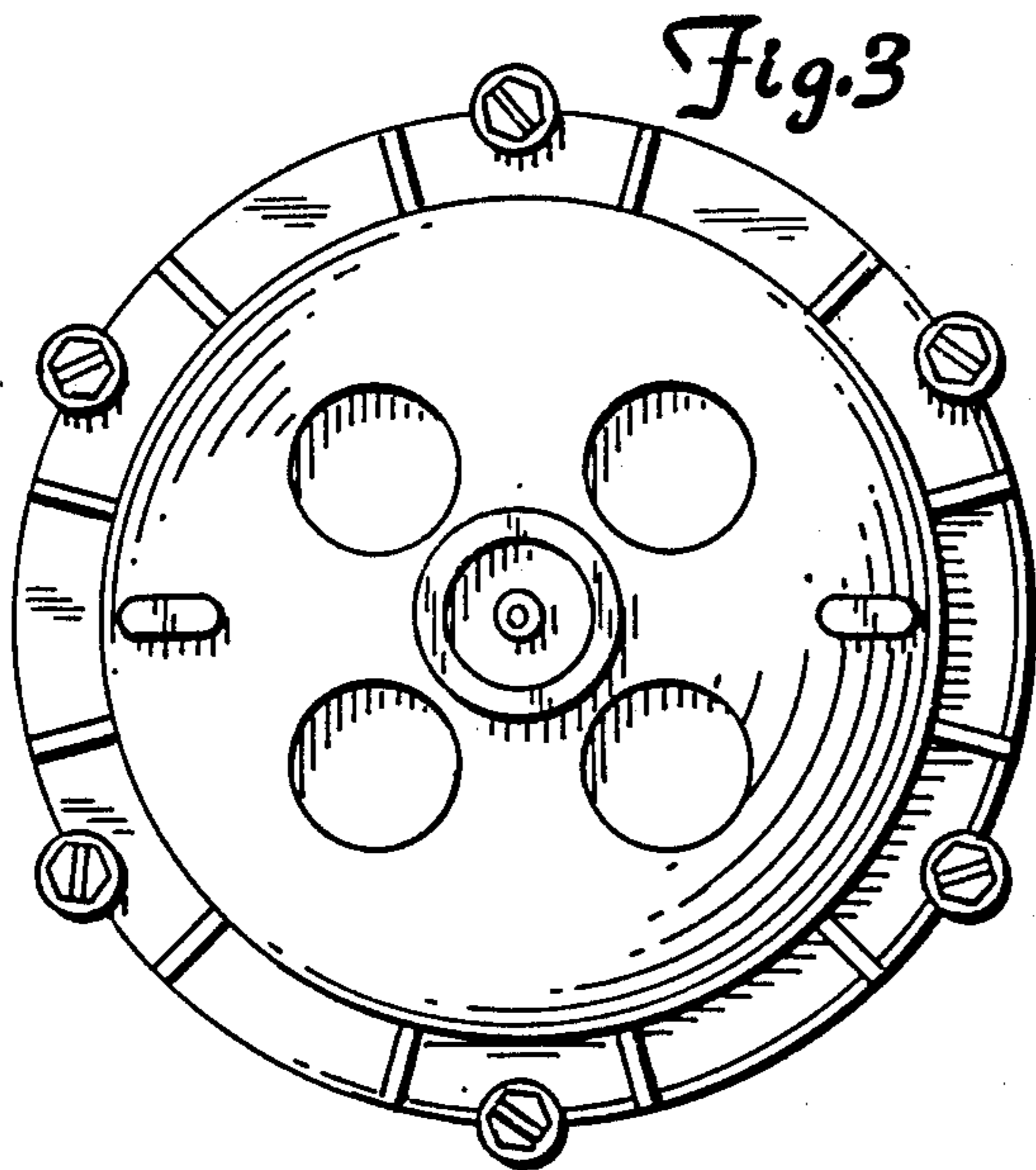


Fig. 3

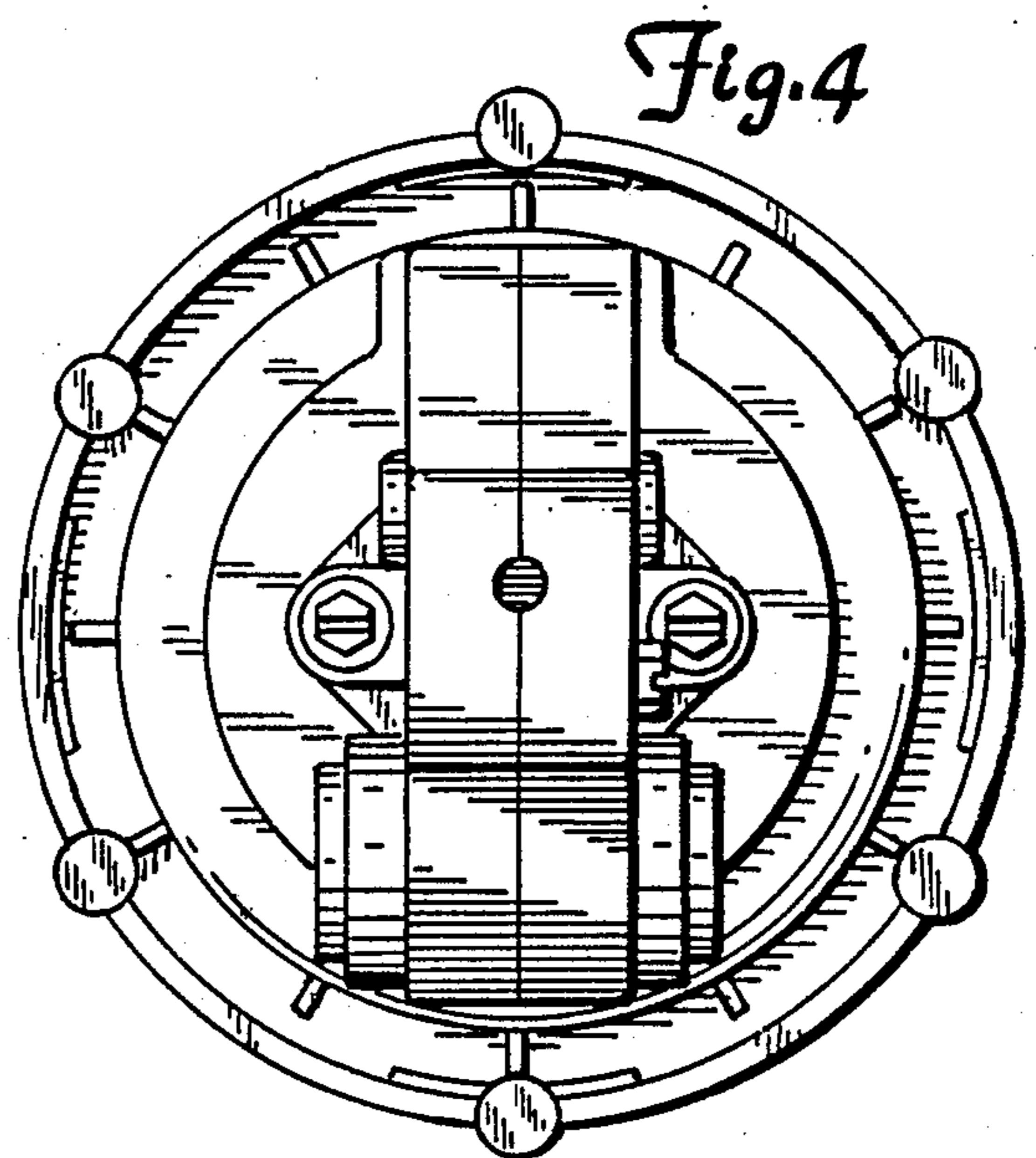


Fig. 4

