

[54] TOILET BOWL

[76] Inventor: Robert H. Kimes, Hickory Hill Box 33, Freeport, Ill. 61032

[**] Term: 14 Years

[21] Appl. No.: 400,746

[22] Filed: Aug. 30, 1989

[52] U.S. Cl. D23/300

[58] Field of Search D23/295-301, D23/309, 313; 4/306, 329-332, 353, 420-448, DIG. 15

1,155,885	10/1915	Catchings	4/420
2,774,975	12/1956	Frank	4/254
2,810,914	10/1957	Hamilton	4/420
3,213,467	10/1965	Hubbard	4/478
3,619,820	11/1971	Cain et al.	4/254
3,921,236	11/1975	Klein	4/254
4,144,597	3/1979	Guenther et al.	4/254
4,343,052	8/1982	Guenther	4/478
4,514,867	5/1985	Jensen	4/480
4,587,678	5/1986	Love et al.	4/251
4,685,157	8/1987	James	4/254
4,715,069	12/1987	James	4/254
4,794,653	1/1989	Strasser	4/252 R

FOREIGN PATENT DOCUMENTS

3607310 3/1986 Fed. Rep. of Germany .

Primary Examiner—James R. Largen
Attorney, Agent, or Firm—McCaleb, Lucas & Brugman

[56] References Cited

U.S. PATENT DOCUMENTS

D. 41,333	4/1911	Sanders et al.	D23/300
D. 91,696	3/1934	Groeniger	D23/300
D. 105,006	6/1937	Groeniger	D23/300
D. 119,871	4/1940	Van Sciver	D23/295
D. 160,222	9/1950	Skidmore	D23/301
D. 180,983	9/1957	Zinkil et al.	D23/300
D. 184,562	3/1959	Everett	D23/300
D. 187,854	5/1960	Dreyfuss	D23/300
D. 201,347	6/1965	Phillips, Jr.	D23/300
D. 206,569	1/1967	Ament	D23/295
D. 226,715	4/1973	Anderson	D23/295
D. 233,523	11/1974	Sakamoto	D23/295
D. 240,930	8/1976	Kristoffersen	D23/295
D. 256,722	9/1980	Sargent et al.	D23/295
D. 273,701	5/1984	Bengtson	D23/300
D. 275,599	9/1984	Enthoven	D23/295 X
D. 292,733	11/1987	Robinson et al.	D23/295

[57] CLAIM

The ornamental design for a toilet bowl, as shown and described.

DESCRIPTION

FIG. 1 is a right side elevational view of a toilet bowl showing my new design, the left side being a mirror image of the right side shown;
FIG. 2 is a top plan view thereof;
FIG. 3 is a front elevational view thereof;
FIG. 4 is a perspective view taken from the top, front and left side thereof; and
FIG. 5 is a perspective view taken from the top, front and left side of a second embodiment thereof.

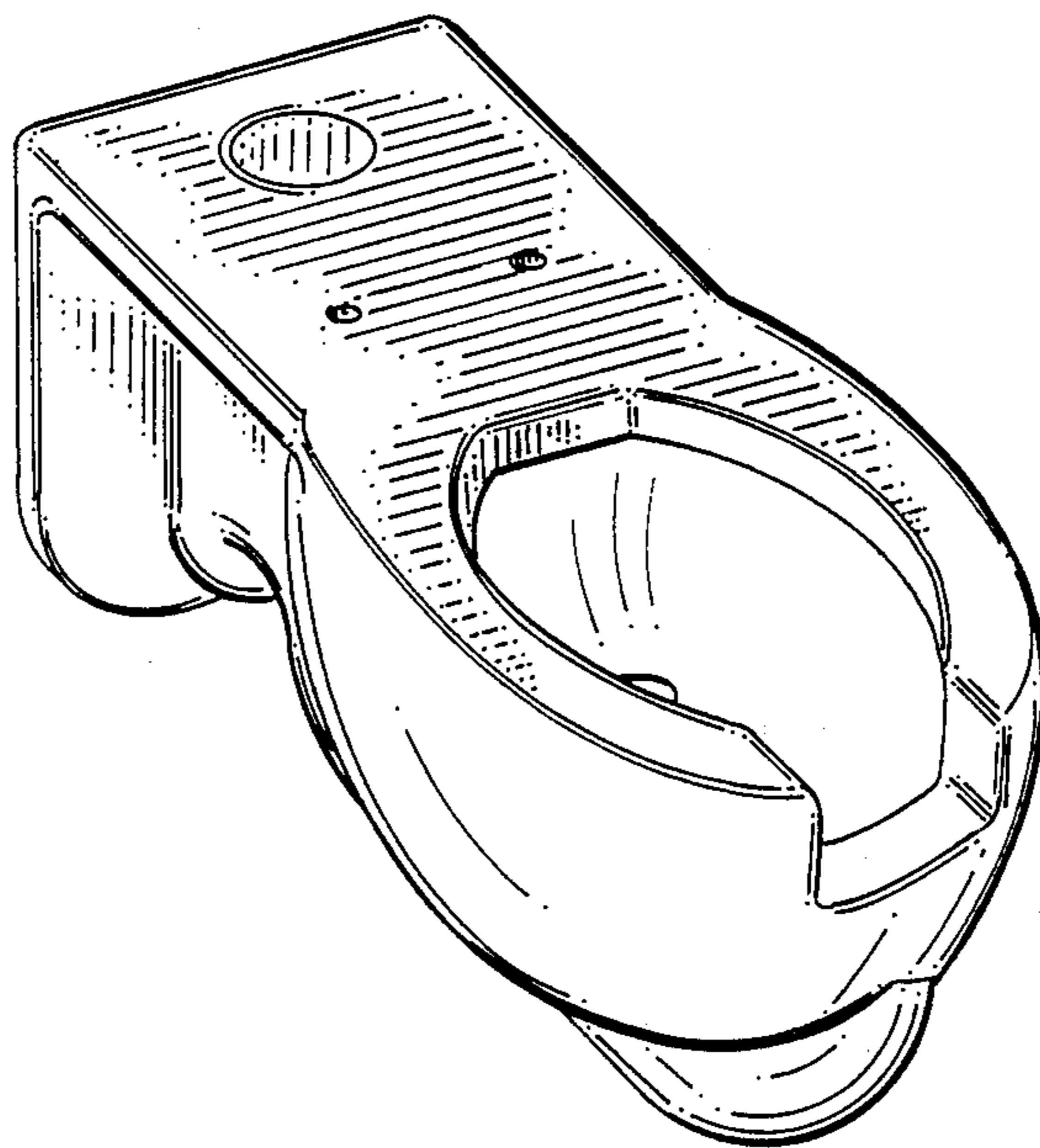


FIG. 1

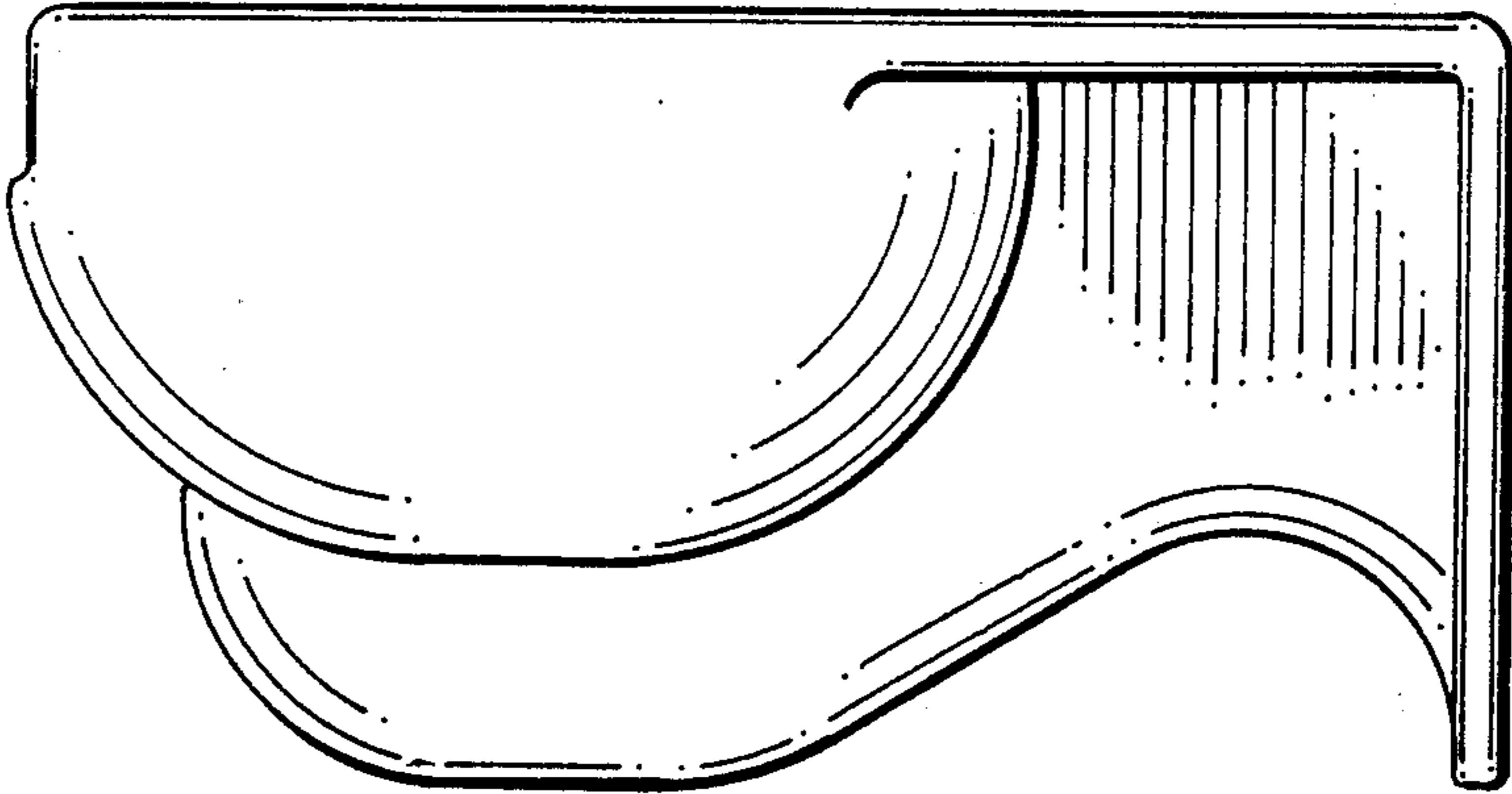
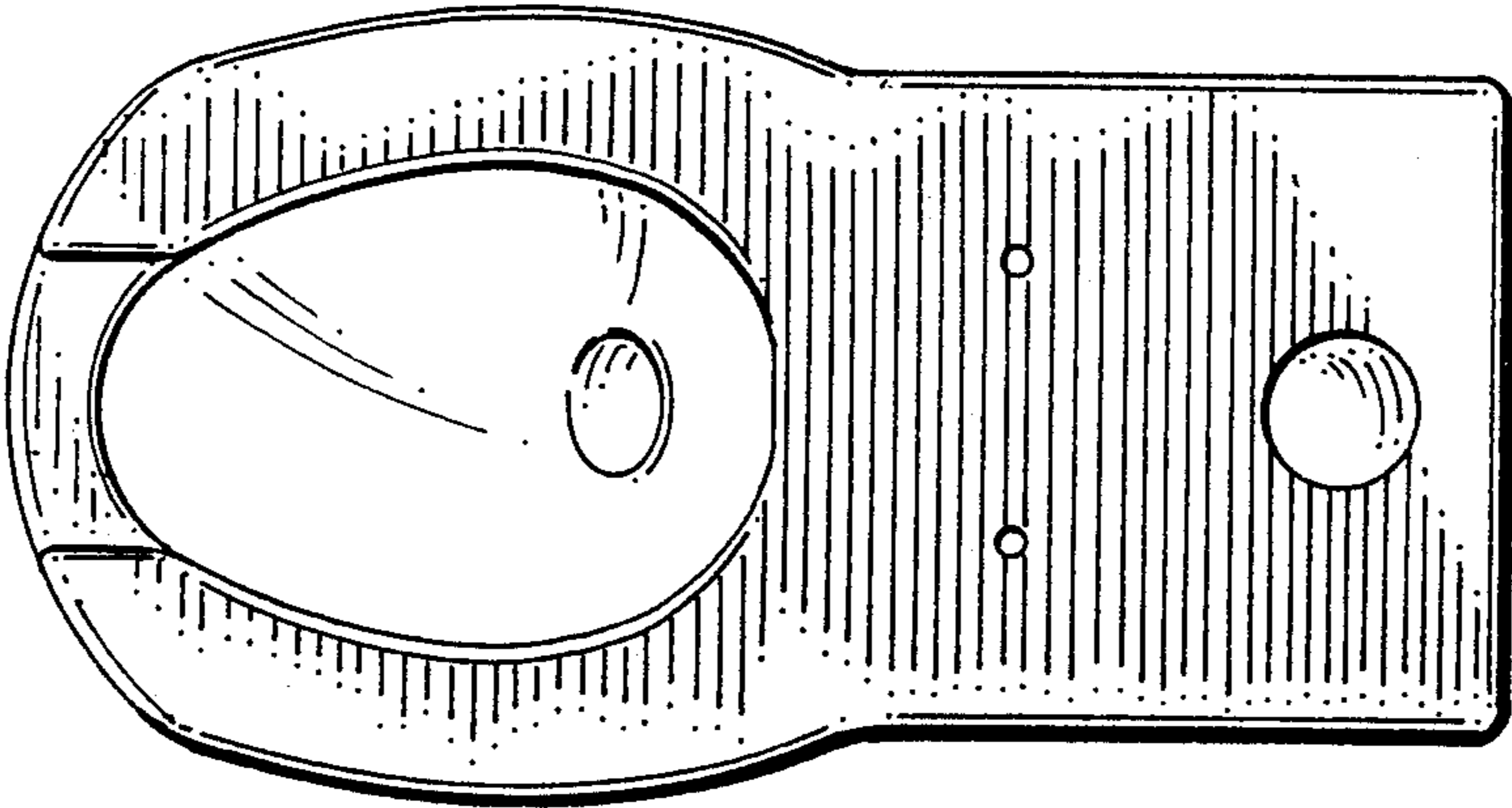


FIG. 2



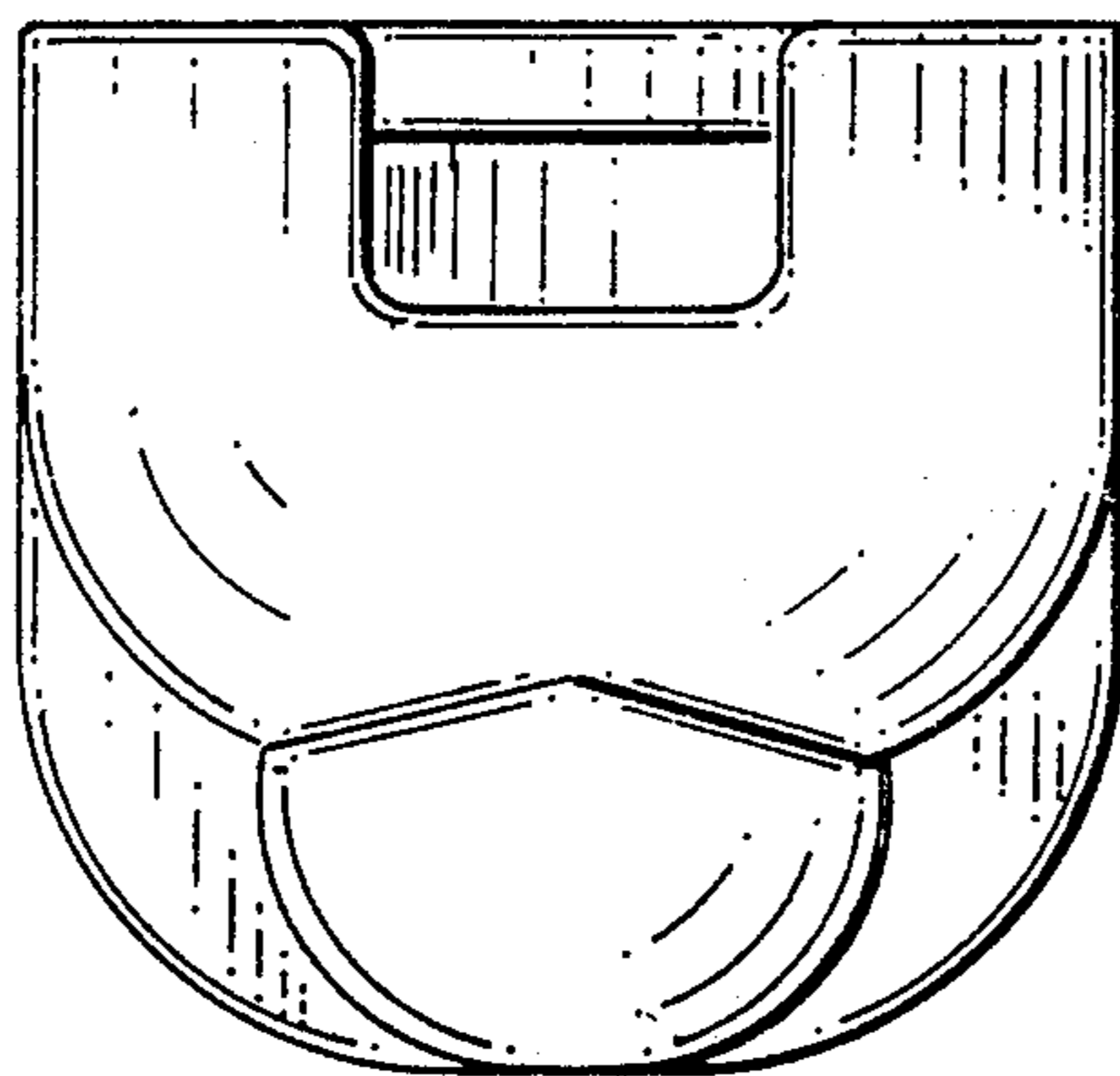


FIG. 3

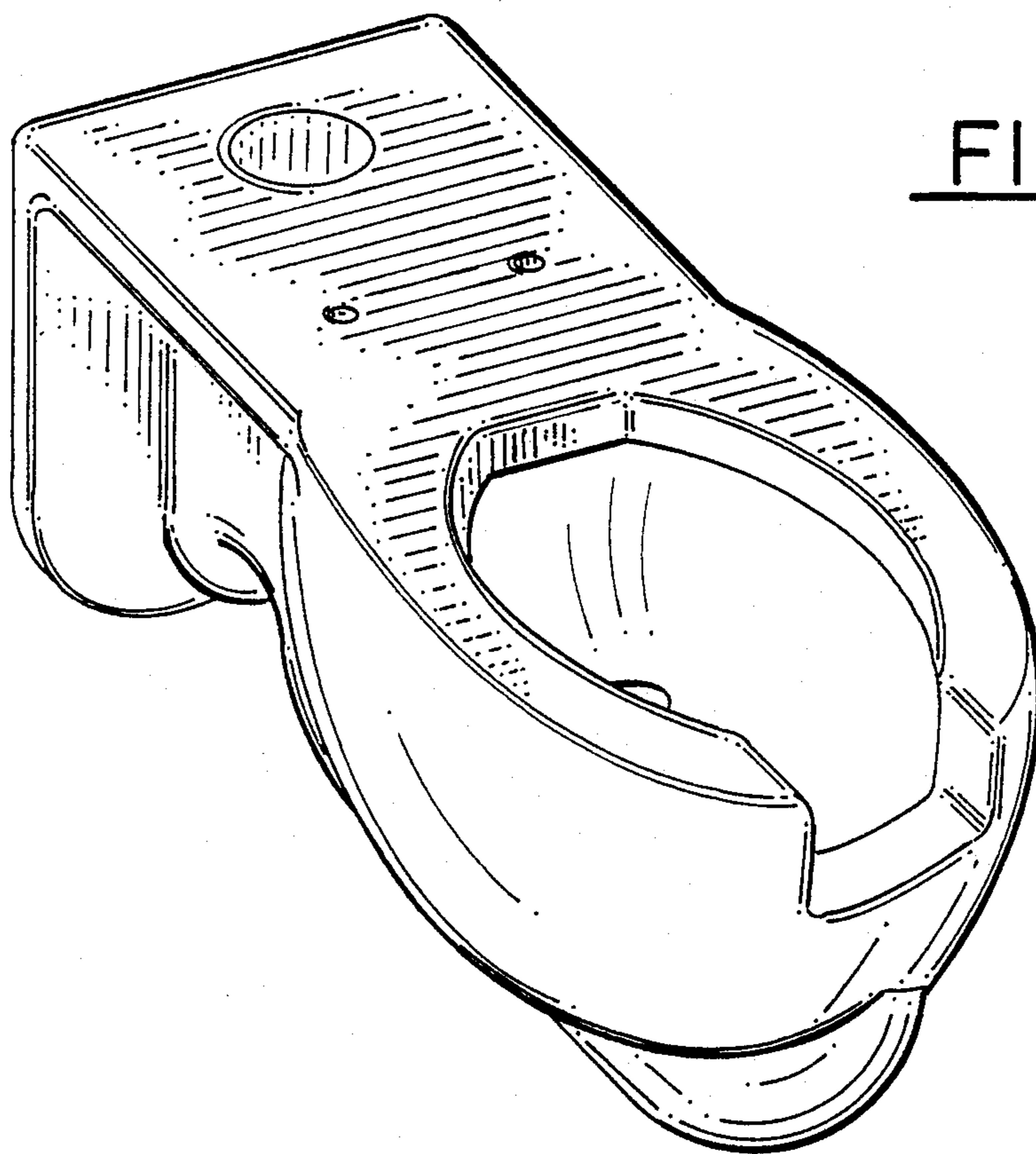


FIG. 4

FIG. 5

