

[54] SHOWER HEAD OR THE LIKE

[75] Inventor: Mary J. Reid, Sheboygan, Wis.

[73] Assignee: Kohler Co., Kohler, Wis.

[**] Term: 14 Years

[21] Appl. No.: 297,913

[22] Filed: Jan. 17, 1989

[52] U.S. Cl. D23/213

[58] Field of Search D23/213, 222-230; 4/191-192, 447, 567-570, 599-603, 615, 596; 239/276-283, 288.5, 310, 443-449, 456-460, 525, 530.2, 548, 550-552, 556-559, 562-565, 567, 581-583, 586-588

[56] References Cited

U.S. PATENT DOCUMENTS

D. 188,645	8/1960	Kohler	D23/213
D. 271,704	12/1983	Paul	D23/238
D. 291,476	8/1987	Gregory	D23/238
D. 301,275	5/1989	Paul	D23/242
3,112,073	11/1963	Larson et al.	239/446

OTHER PUBLICATIONS

Advertisement for the Jacob Delafon, "Skipper", spout, undated (admitted prior art).

Page 71 of an undated Harden catalog showing various, "Roman Tubs" (admitted prior art).

Drawings from two pending patent applications showing two spouts assigned to the same company as the present invention (admitted prior art).

Primary Examiner—Susan J. Lucas

Assistant Examiner—M. H. Tung

Attorney, Agent, or Firm—Quarles & Brady

[57] CLAIM

The ornamental design for a shower head or the like, as shown and described.

DESCRIPTION

FIG. 1 is a perspective view taken from the top, front and left side of the shower head or the like showing my new design, on a reduced scale;

FIG. 2 is a perspective view taken from the top, front and left side thereof, the showerhead extended from its base, on a reduced scale;

FIG. 3 is a fragmentary left side elevational view thereof, the showerhead in extended position and the head joint swiveled 90 degrees from the position shown in FIG. 2;

FIG. 4 is a fragmentary left side elevational view thereof, the head joint swiveled 90 degrees from the position shown in FIG. 2;

FIG. 5 is a fragmentary perspective view thereof, the head joint swiveled 180 degrees from the position shown in FIG. 2, on a reduced scale;

FIG. 6 is a top plan view of the shower head only;

FIG. 7 is a bottom plan view thereof;

FIG. 8 is a left side elevational view thereof, the right side being a mirror image of the left side shown;

FIG. 9 is a front elevational view thereof;

FIG. 10 is a rear elevational view thereof;

FIG. 11 is a top plan view of the showerhead and base;

FIG. 12 is a bottom plan view thereof;

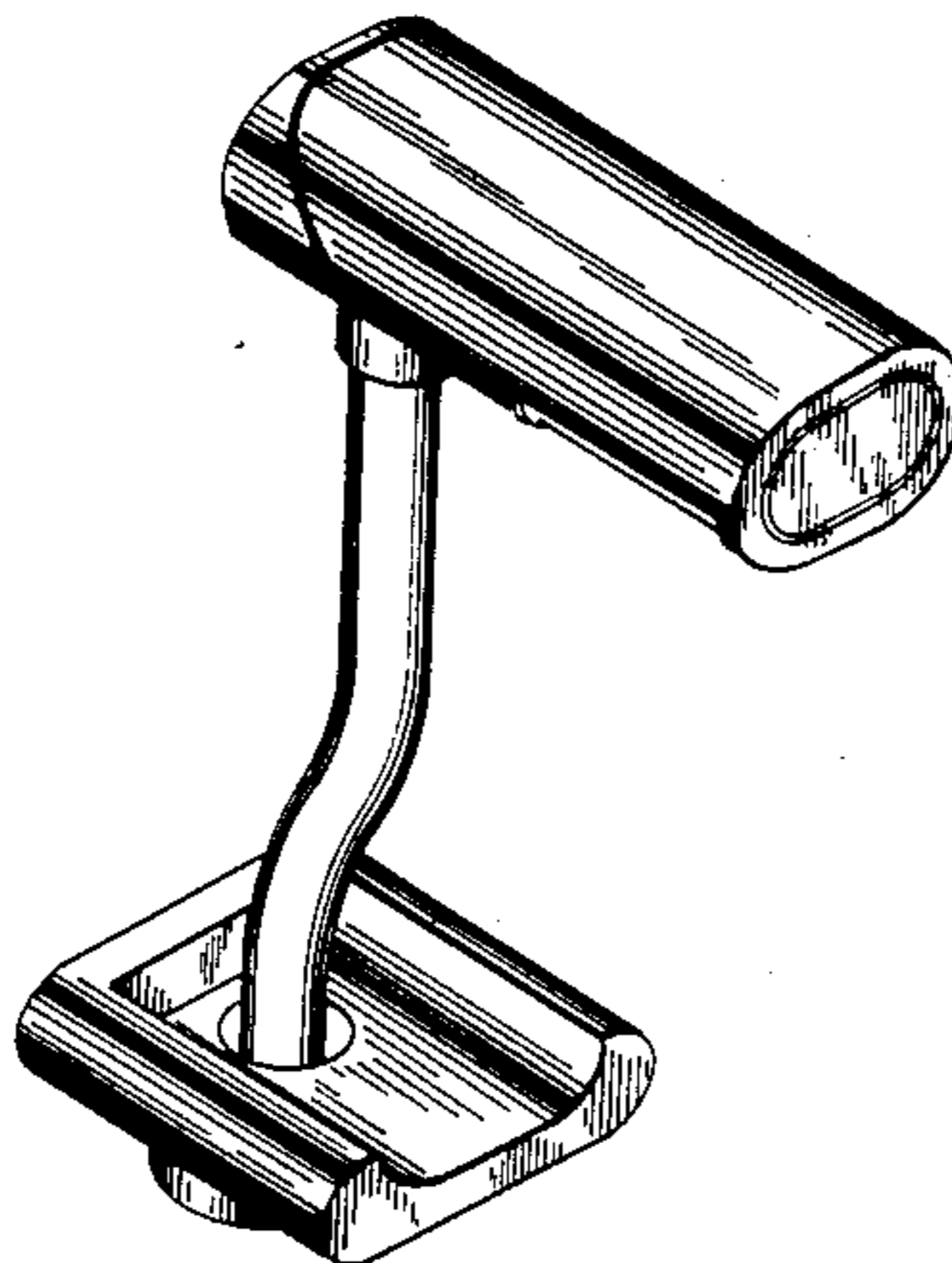
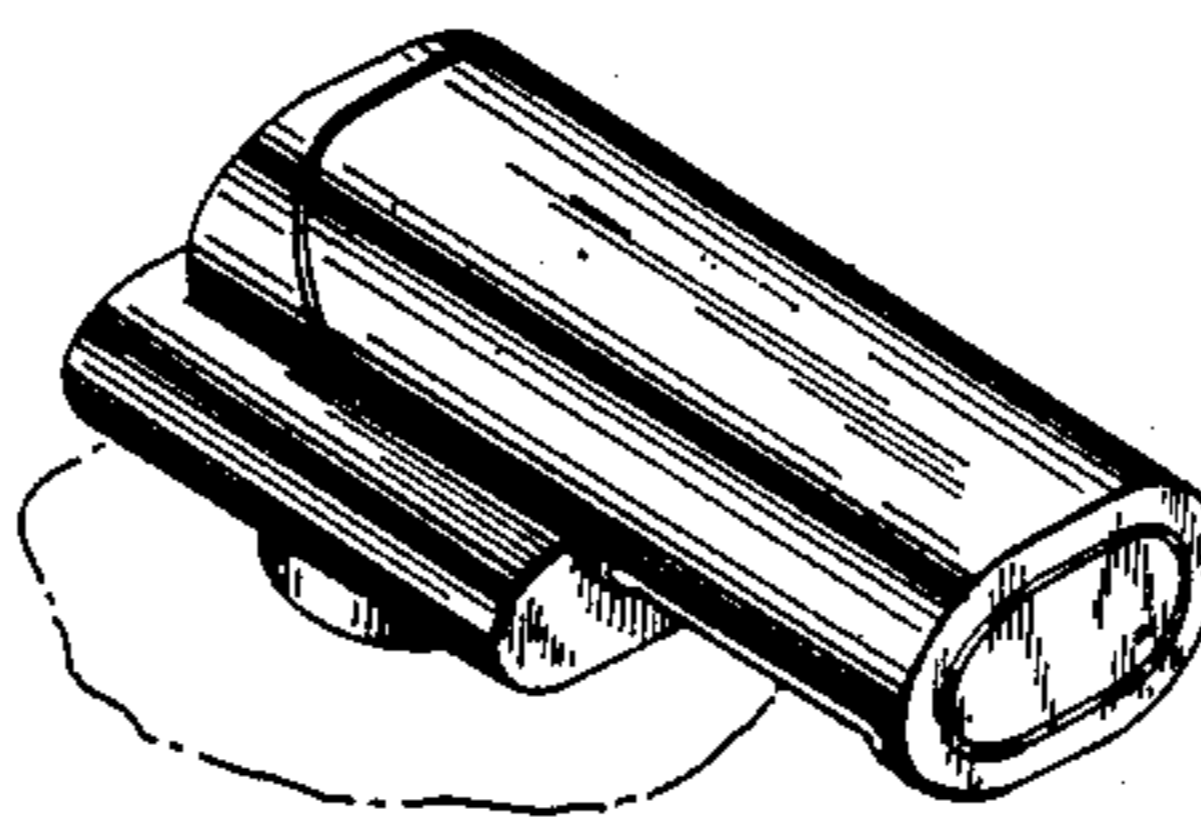
FIG. 13 is a left side elevational view thereof, the right side being a mirror image of the left side shown;

FIG. 14 is a front elevational view thereof; and

FIG. 15 is a rear elevational view thereof.

The base is omitted from FIGS. 3-10 for convenience of illustration.

The fragmentary broken line representation of a countertop in FIG. 1 is for the purpose of illustration only.



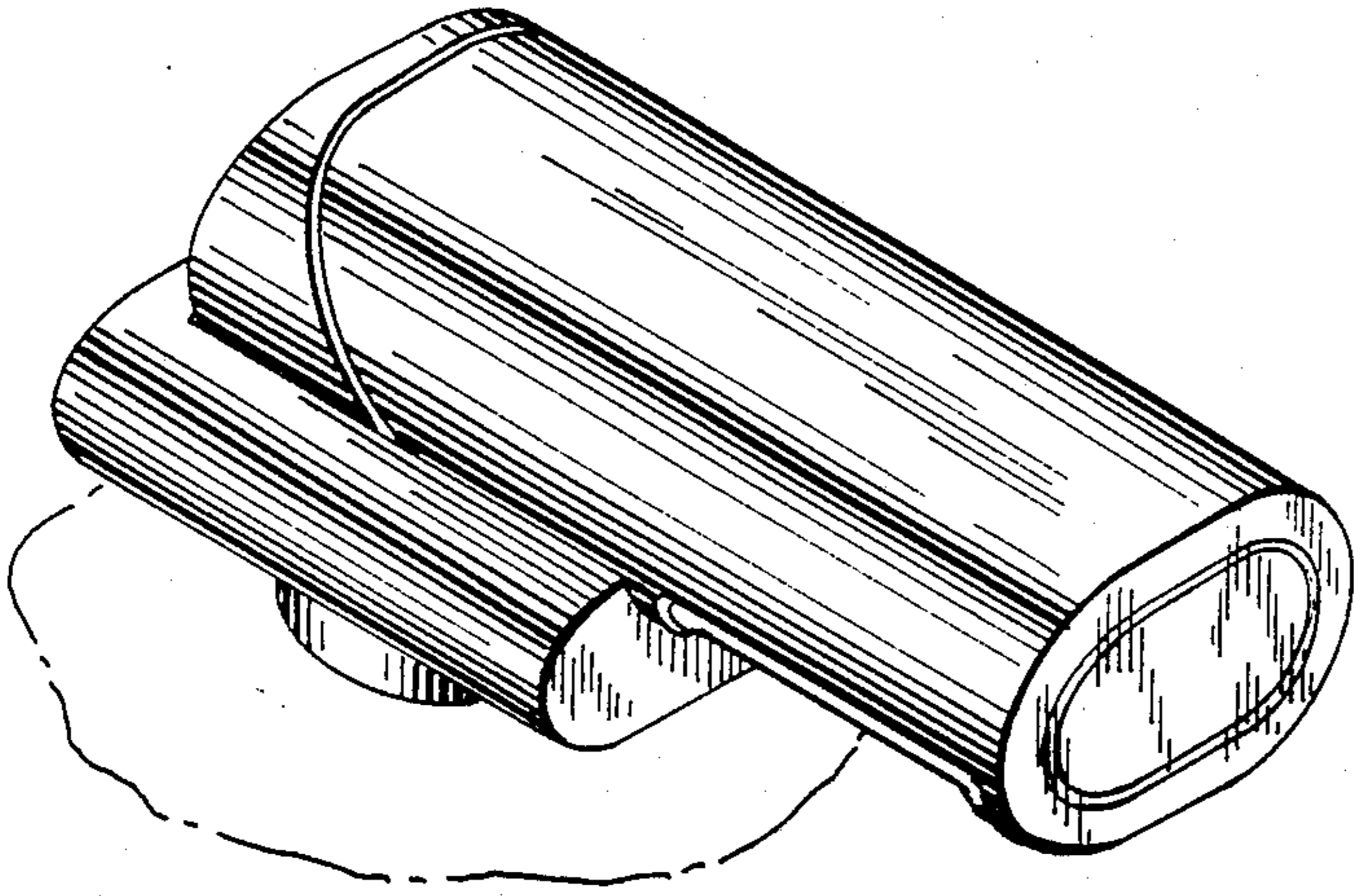


FIG. 1

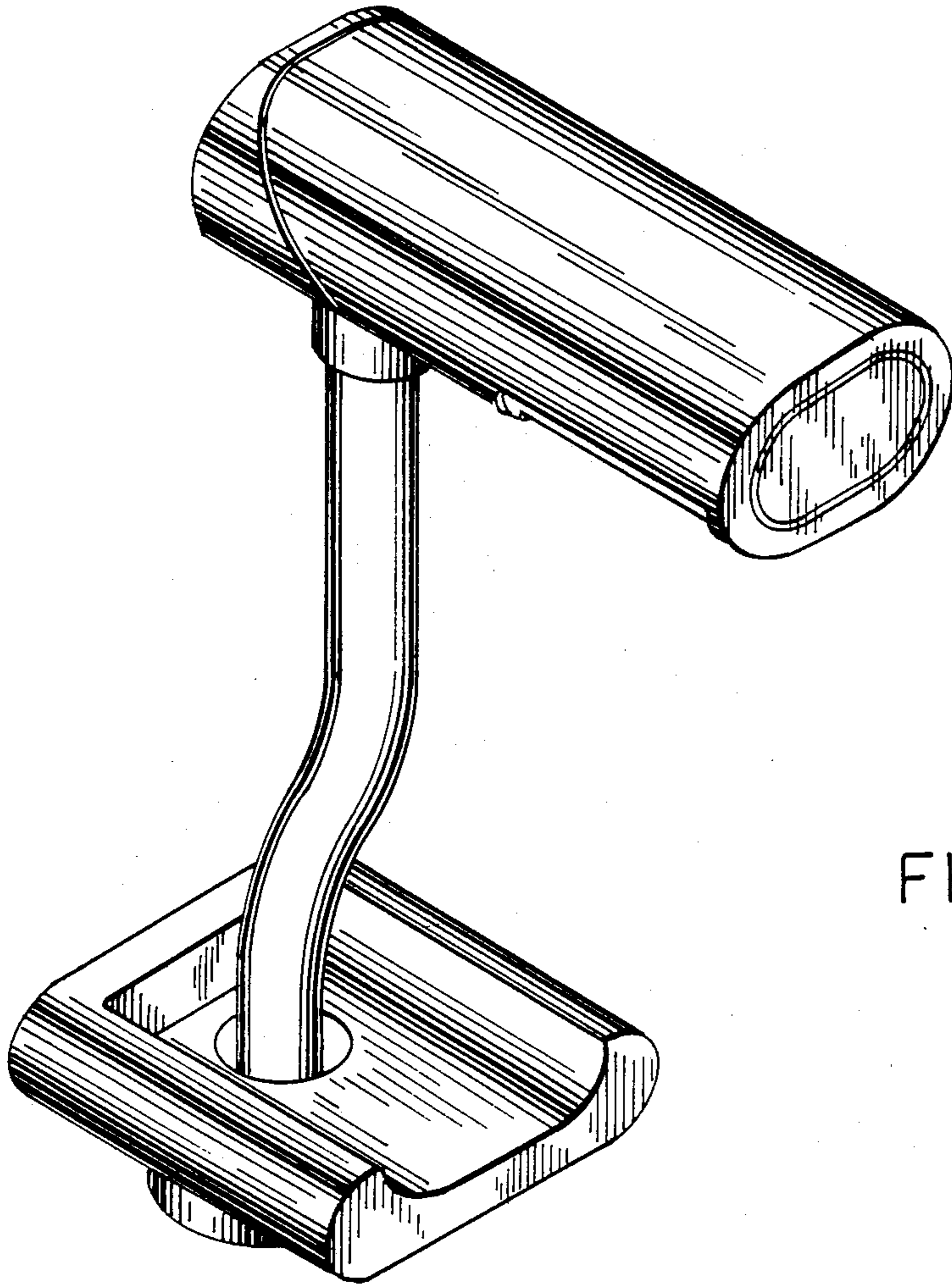


FIG. 2

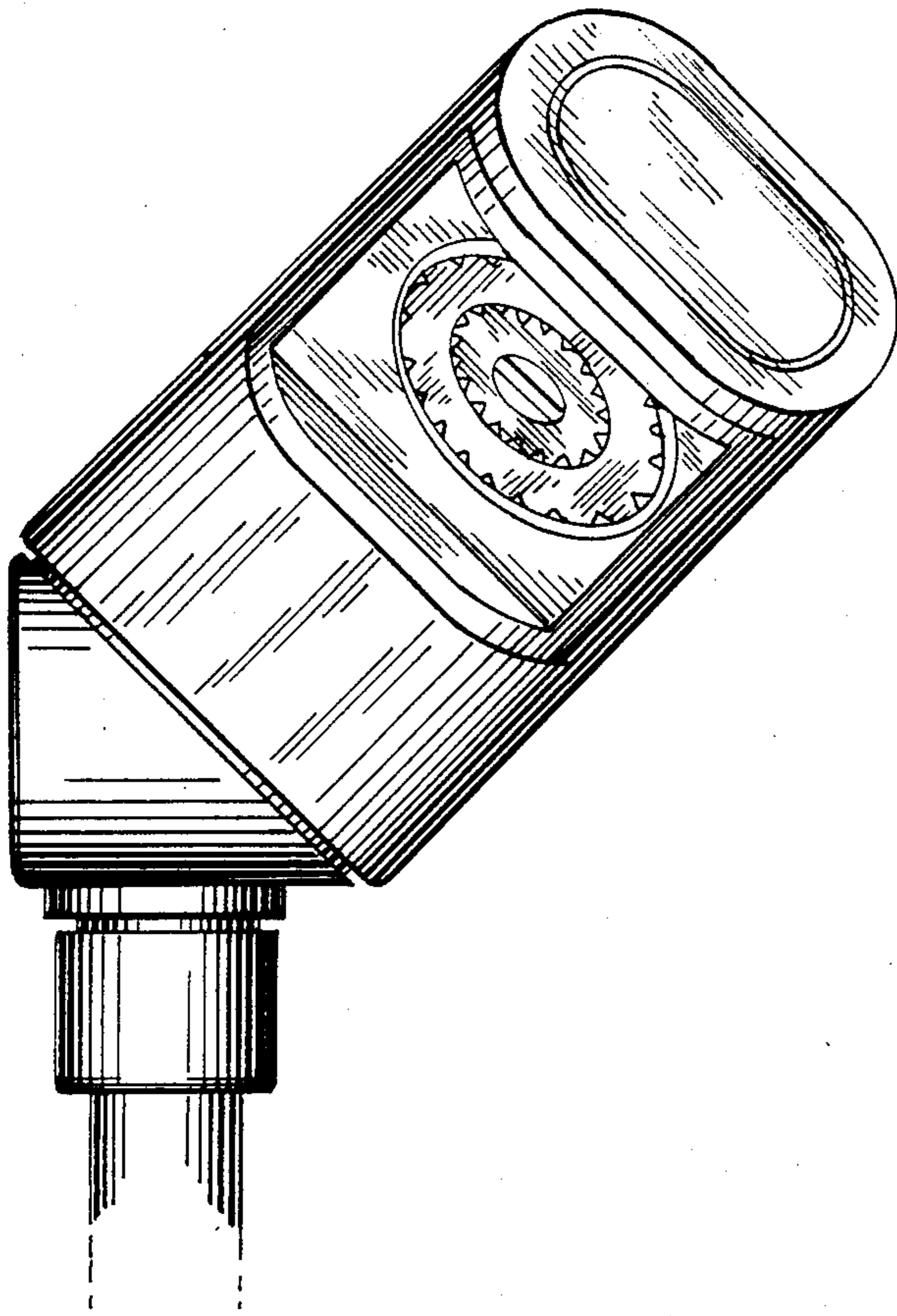


FIG. 3

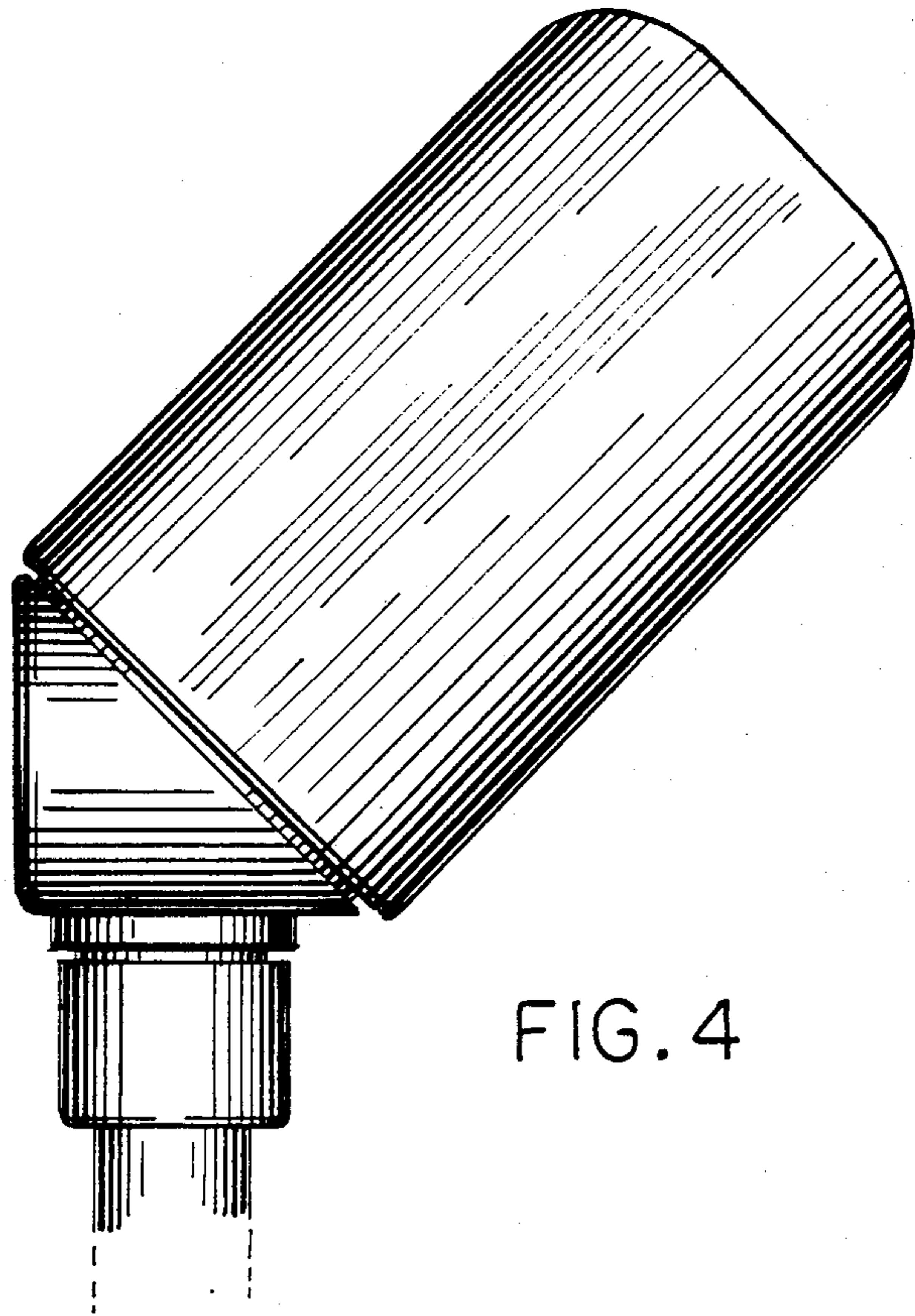


FIG. 4

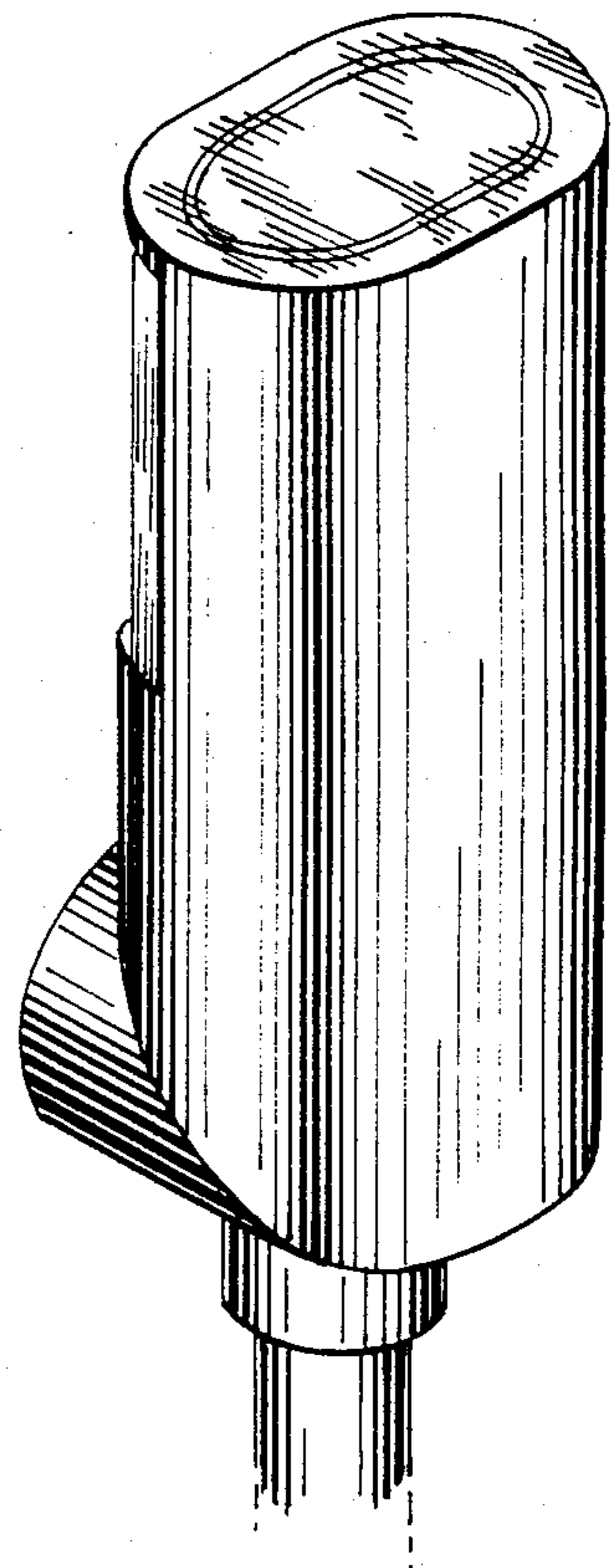


FIG. 5

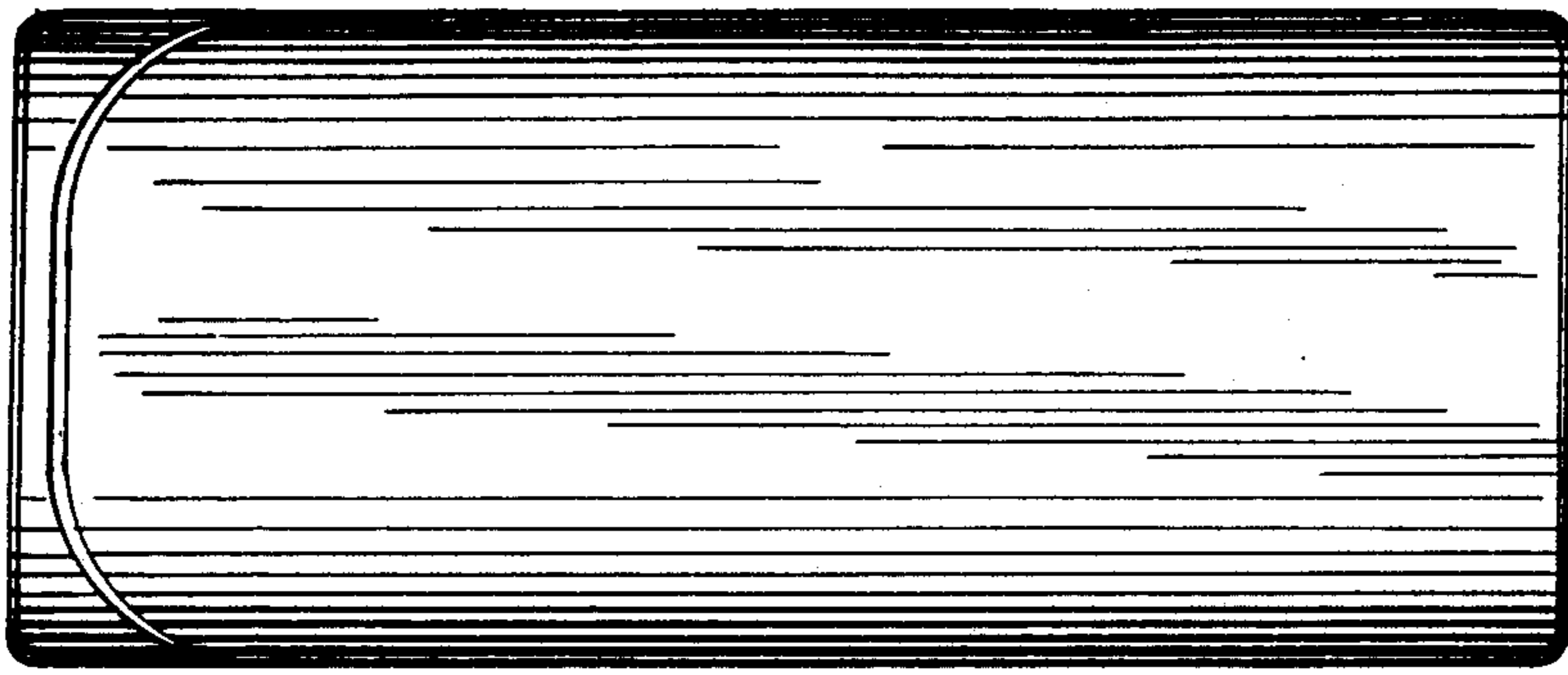


FIG. 6

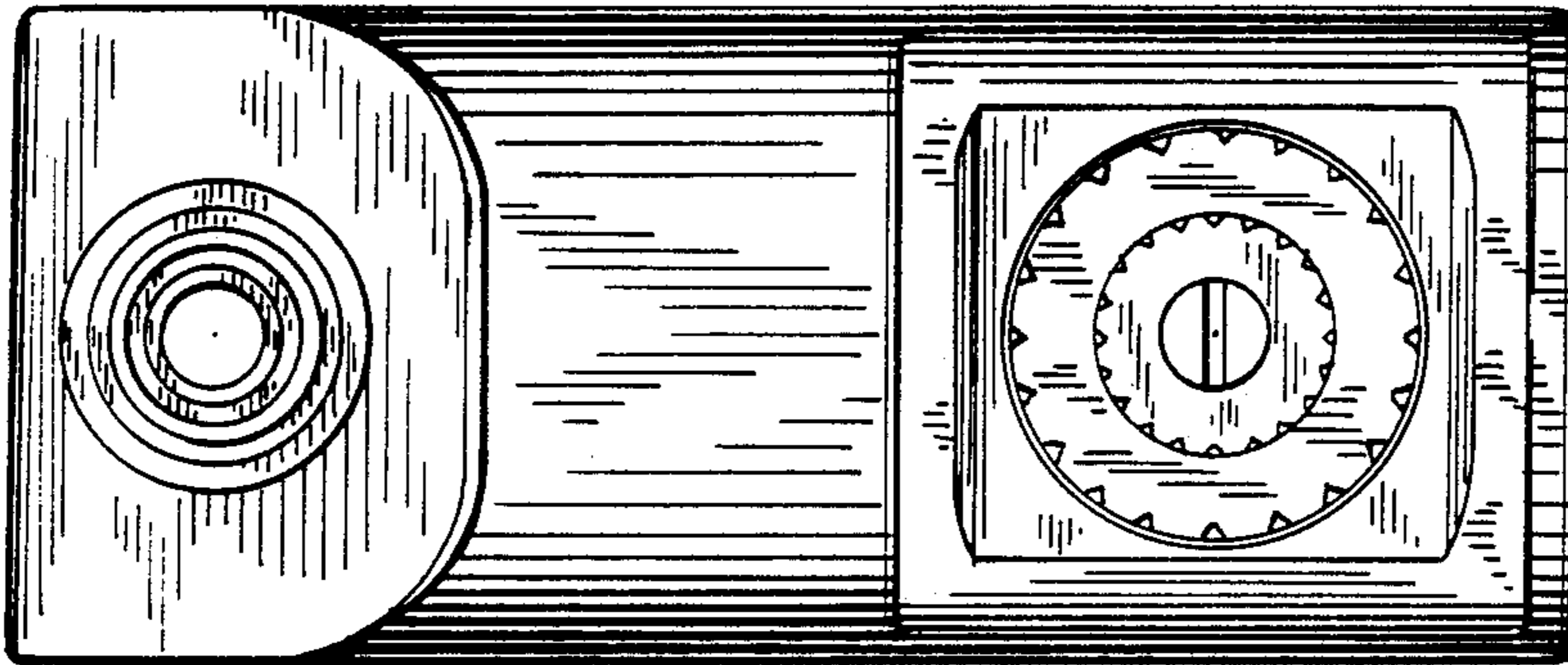


FIG. 7

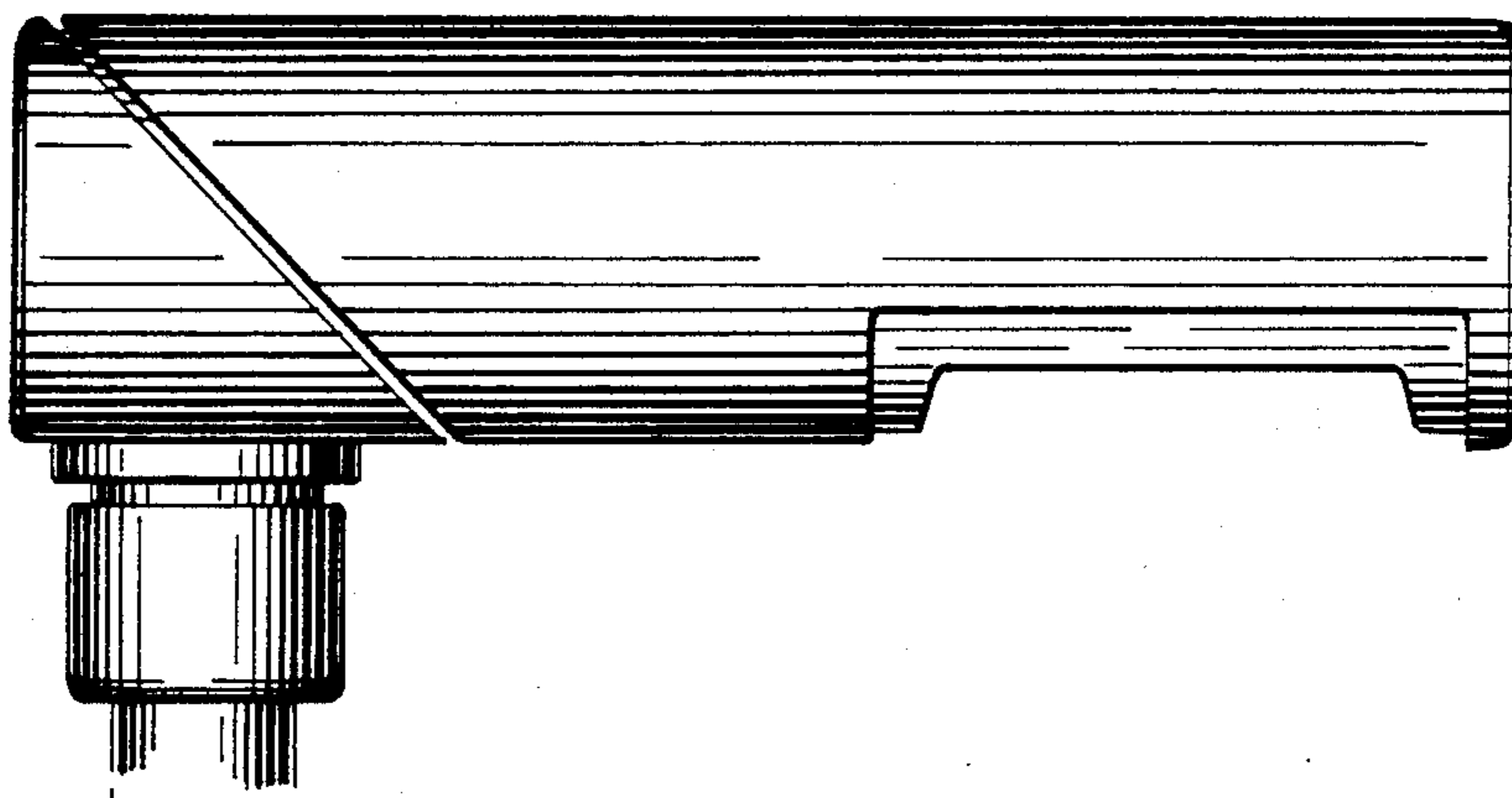


FIG. 8

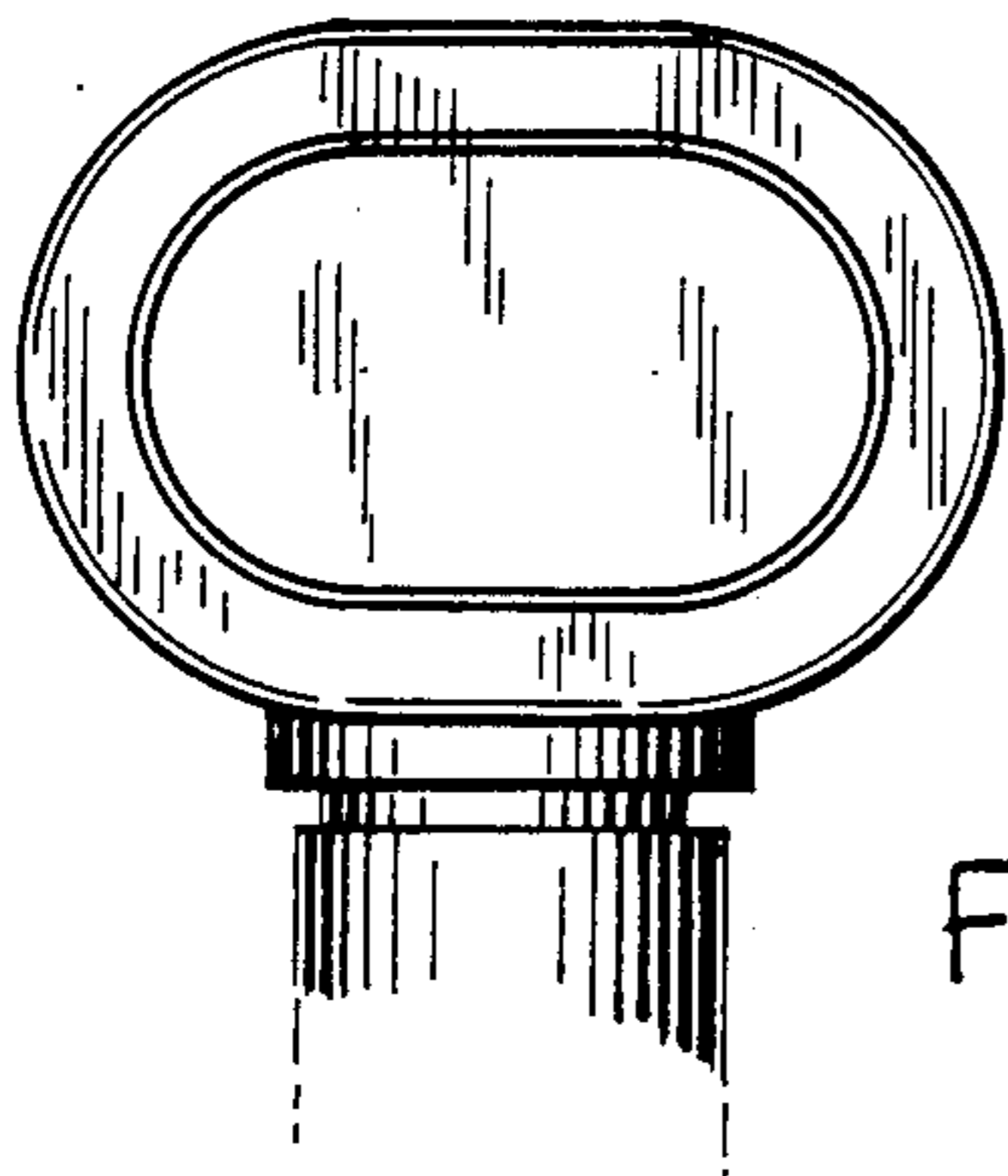


FIG. 9

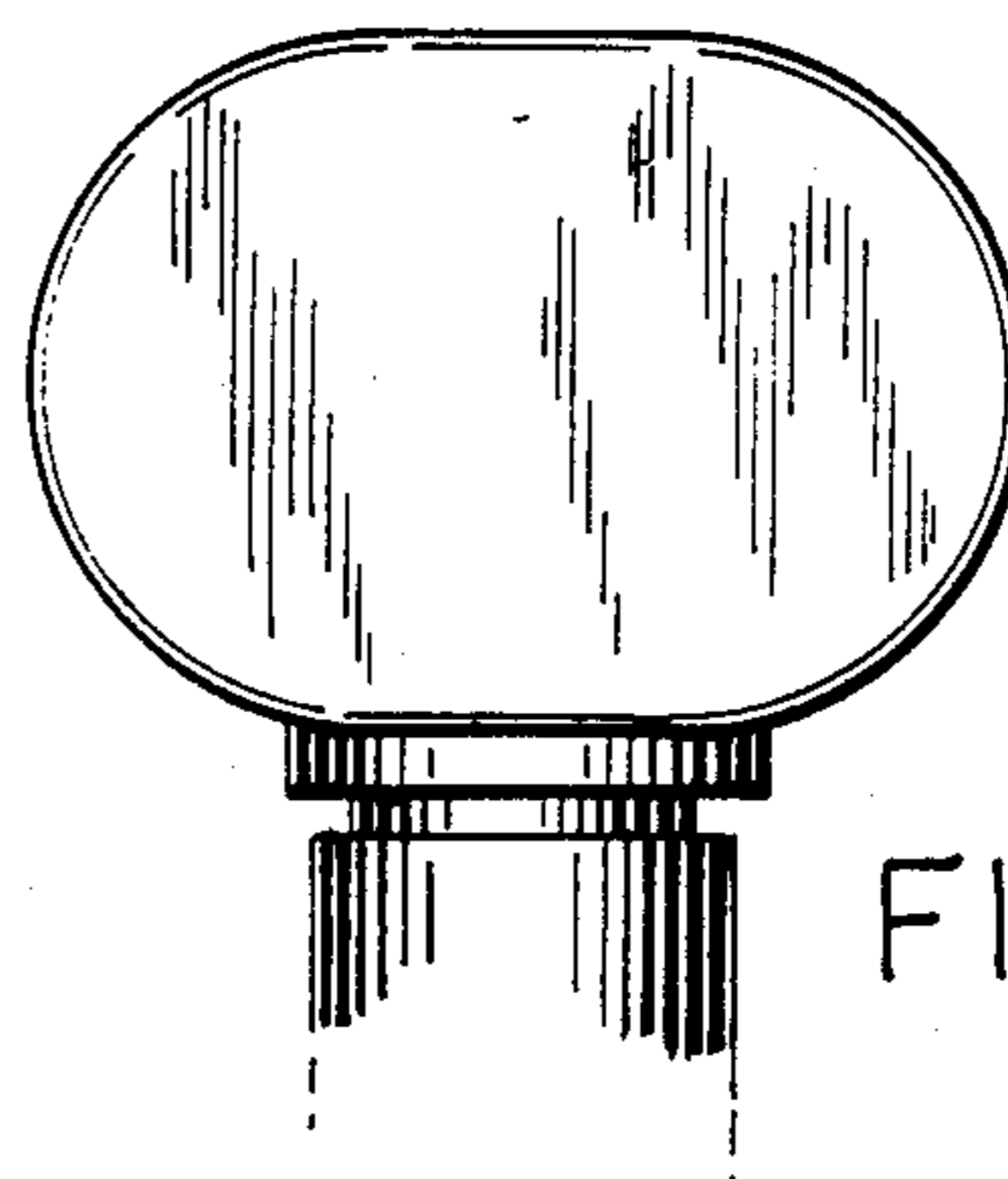


FIG. 10



FIG. 11

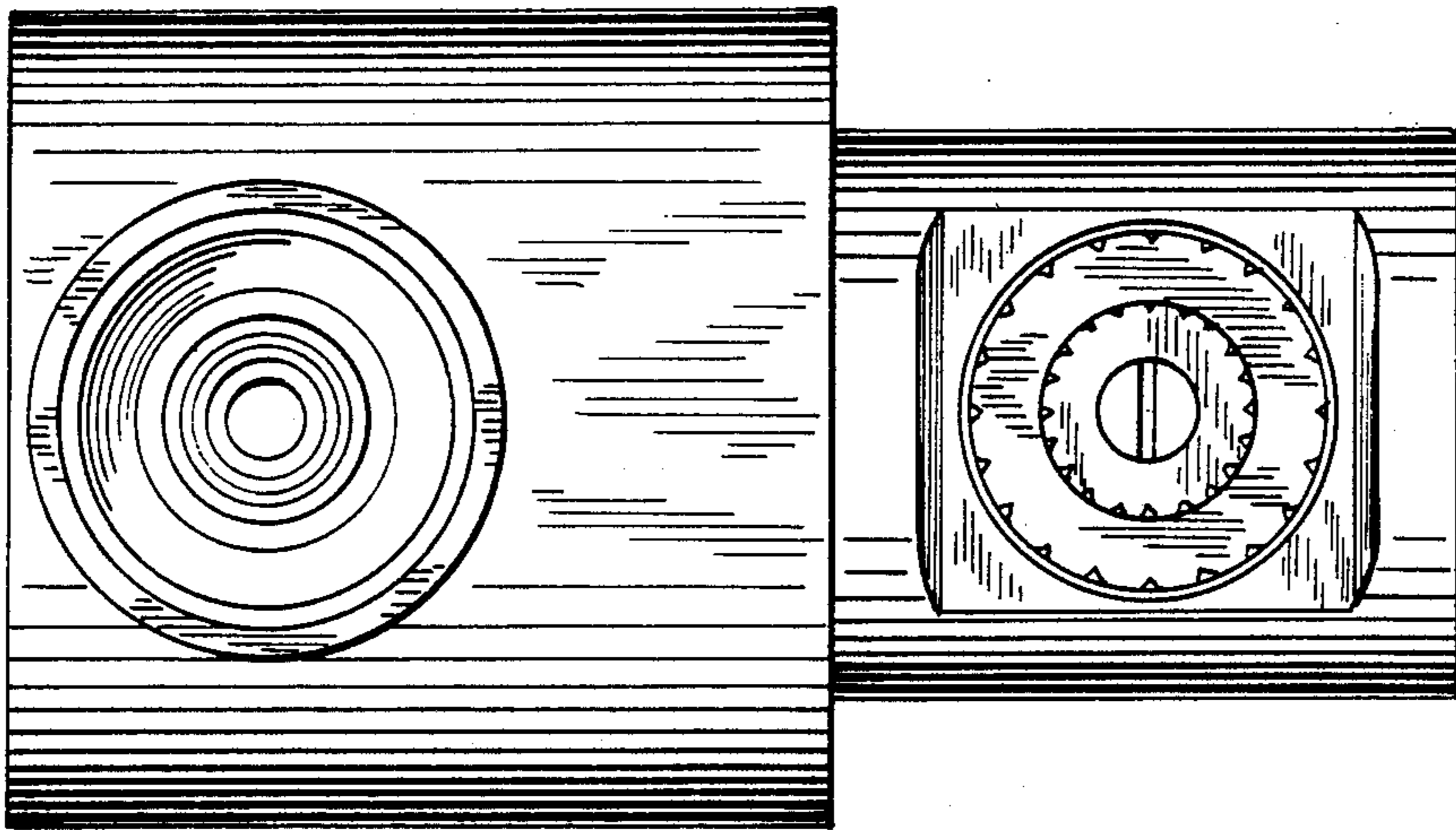


FIG. 12

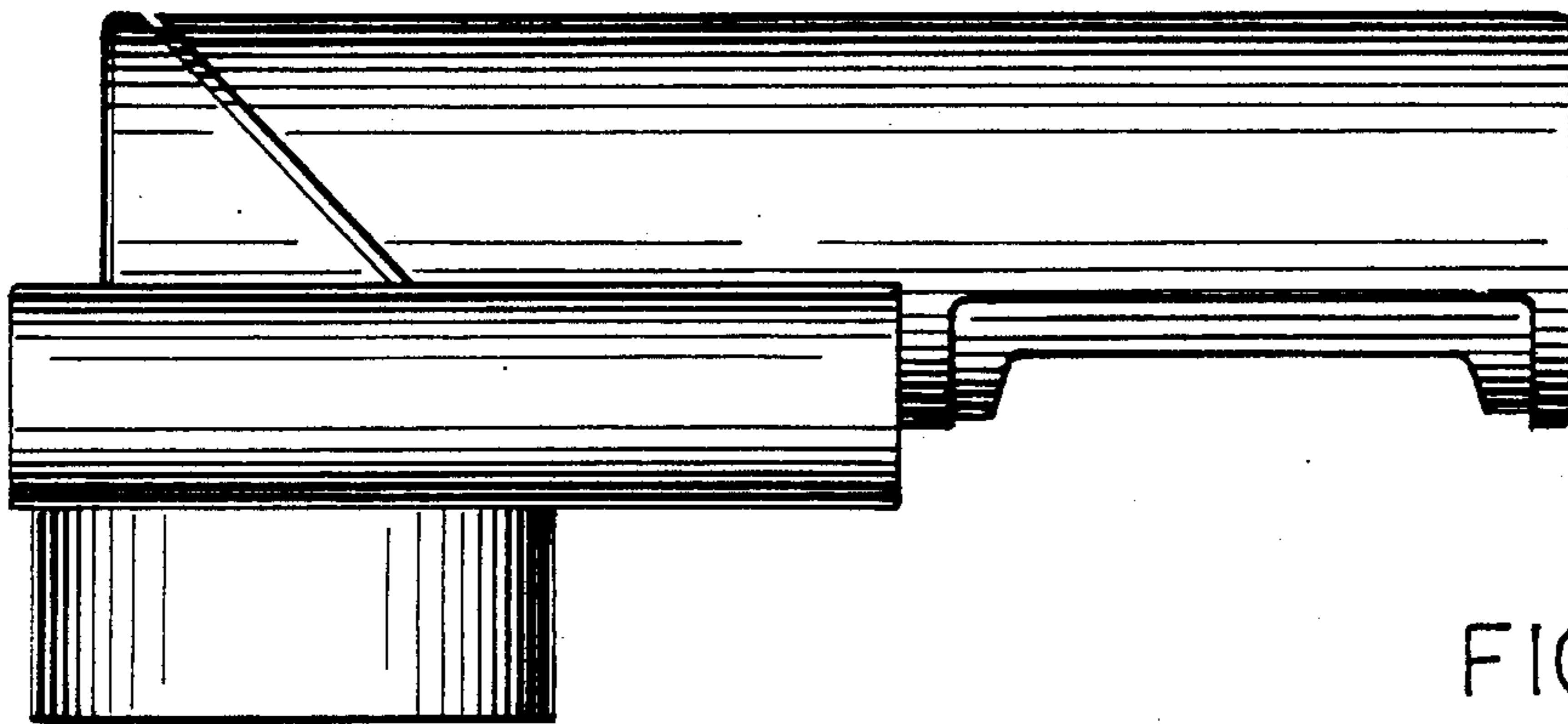


FIG. 13

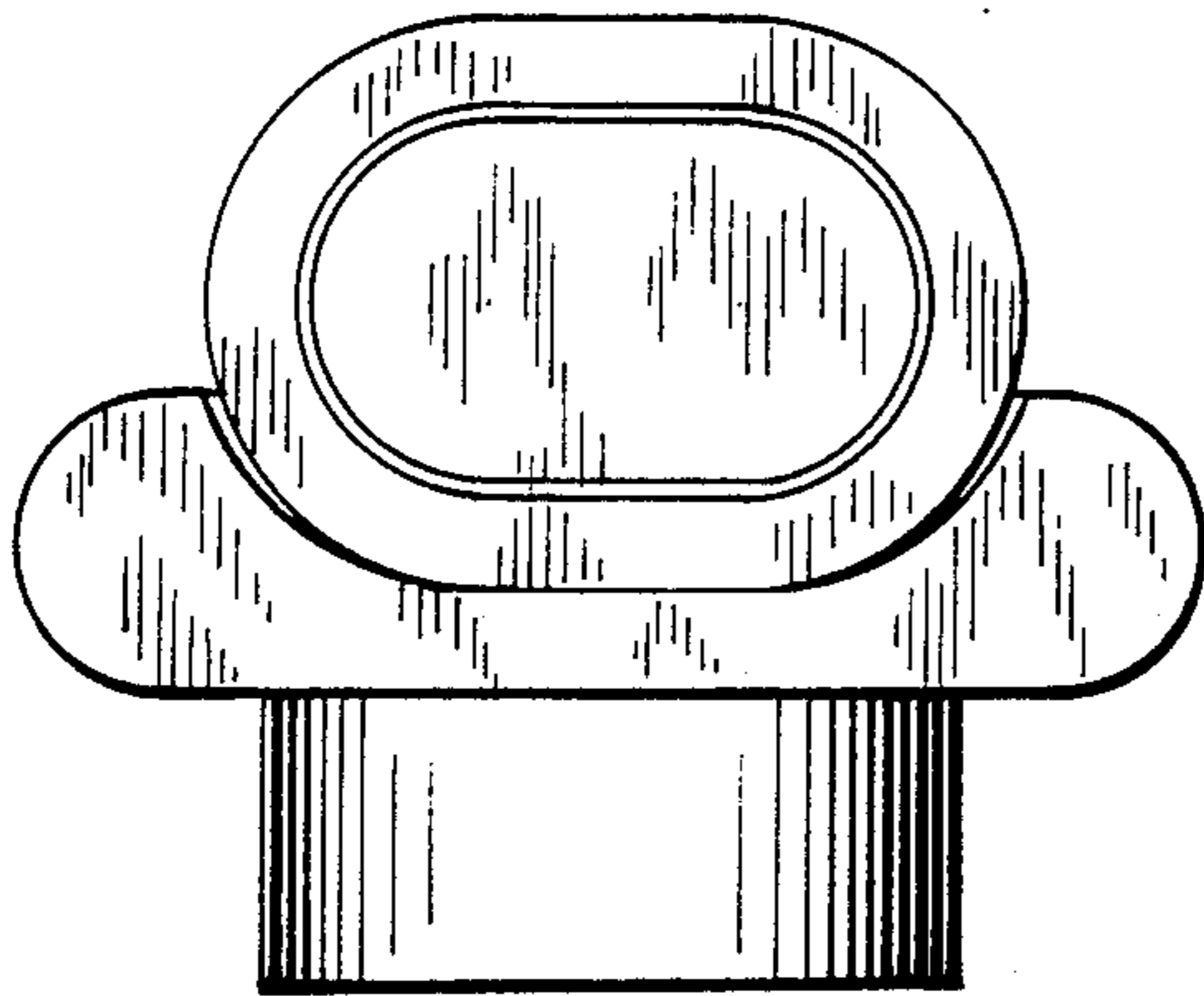


FIG. 14

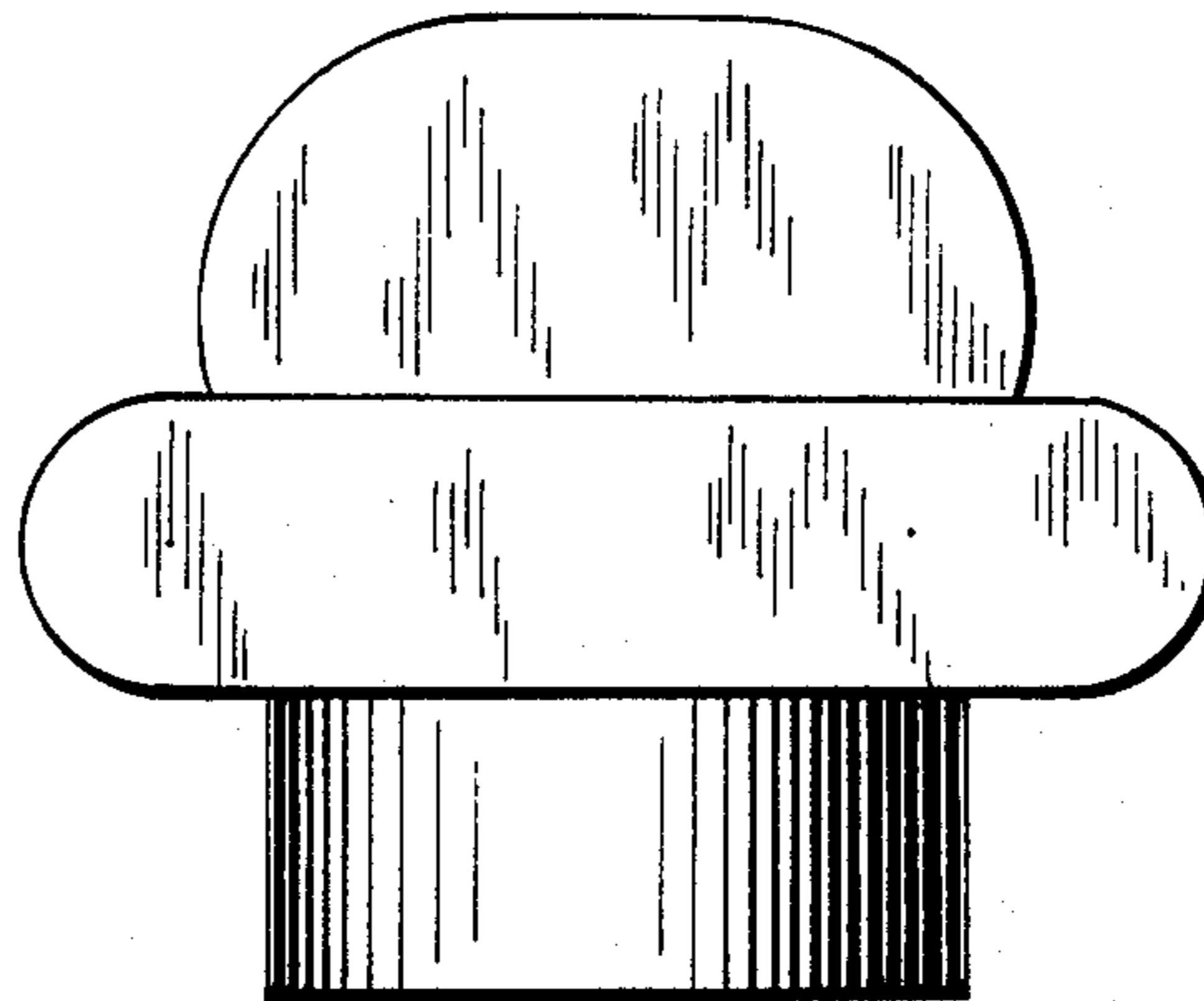


FIG. 15