

[54] SWIM FIN

[75] Inventor: Shohji Fujiwara, Tokyo, Japan

[73] Assignee: Tabata Co. Ltd., Tokyo, Japan

[**] Term: 14 Years

[21] Appl. No.: 78,702

[22] Filed: Jul. 28, 1987

[30] Foreign Application Priority Data

Feb. 18, 1987 [JP] Japan 62-6113

[52] U.S. Cl. D21/239

[58] Field of Search D21/239, 236; 441/61, 441/62, 63, 64

[56] References Cited

U.S. PATENT DOCUMENTS

D. 203,364	12/1965	Brunner	D21/239
D. 233,247	10/1974	Tabata	D21/239
D. 270,926	10/1983	Simpson	D21/239
2,737,668	3/1956	Cressi et al.	441/64
3,112,503	12/1963	Girden	441/64
3,183,529	5/1965	Beuchat	441/64
4,778,423	10/1988	Ciccotelli	D21/239
4,795,384	1/1989	Hattori	441/64

OTHER PUBLICATIONS

Skin Diver, Jul. 1988, p. 38, Tekna ®, Swim Fin.

Primary Examiner—Kay H. Chin
Attorney, Agent, or Firm—Fred Philpitt

[57] CLAIM

The ornamental design for a swim fin, as shown and described.

DESCRIPTION

FIG. 1 is a front and top perspective view of a swim fin showing my new design;
 FIG. 2 is a front and bottom perspective view thereof;
 FIG. 3 is a top plan view thereof;
 FIG. 4 is a bottom plan view thereof;
 FIG. 5 is a sectional view thereof, taken along the line 5—5 of FIG. 3;
 FIG. 6 is a sectional view thereof, taken along the line 6—6 of FIG. 3;
 FIG. 7 is a sectional view thereof, taken along the line 7—7 of FIG. 3;
 FIG. 8 is a sectional view thereof, taken along the line 7—7 of FIG. 3;
 FIG. 9 is a sectional view thereof, taken along the line 9—9 of FIG. 3.

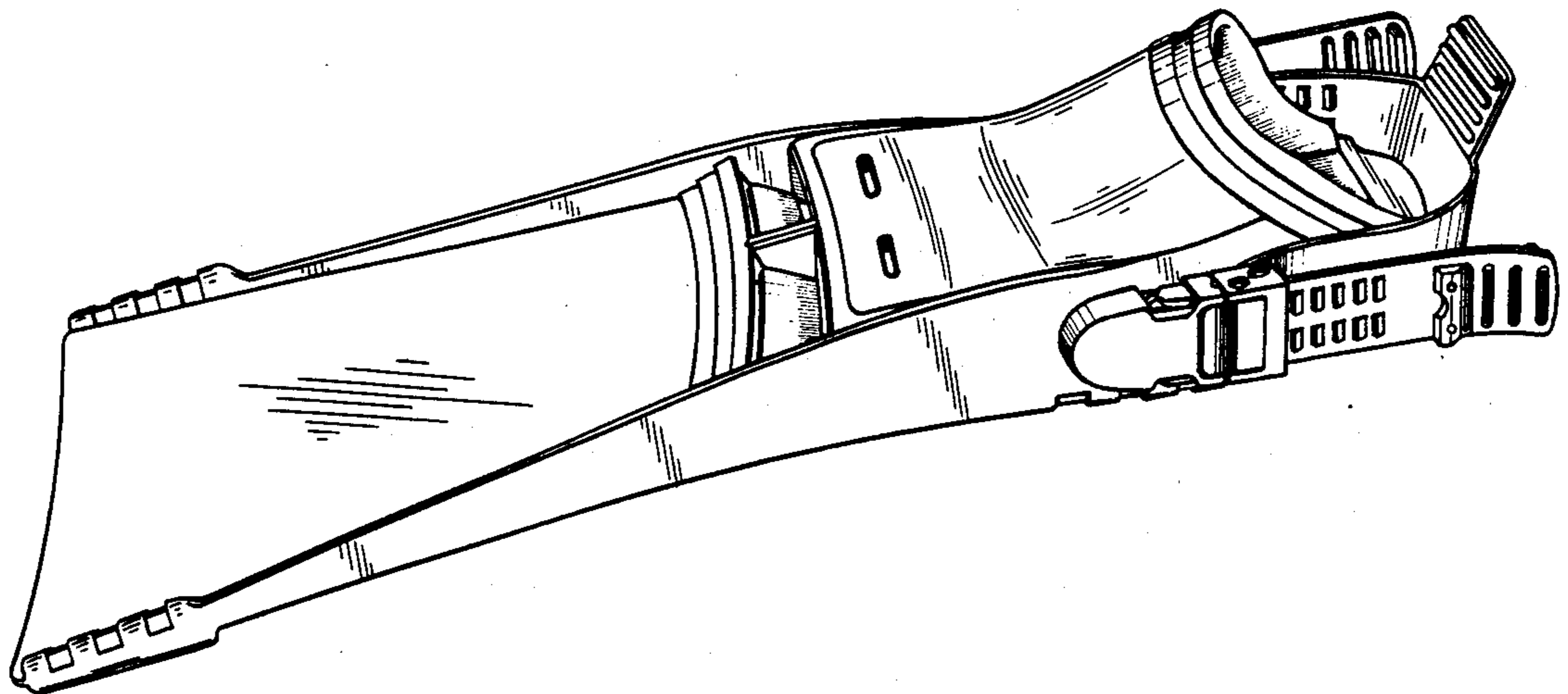
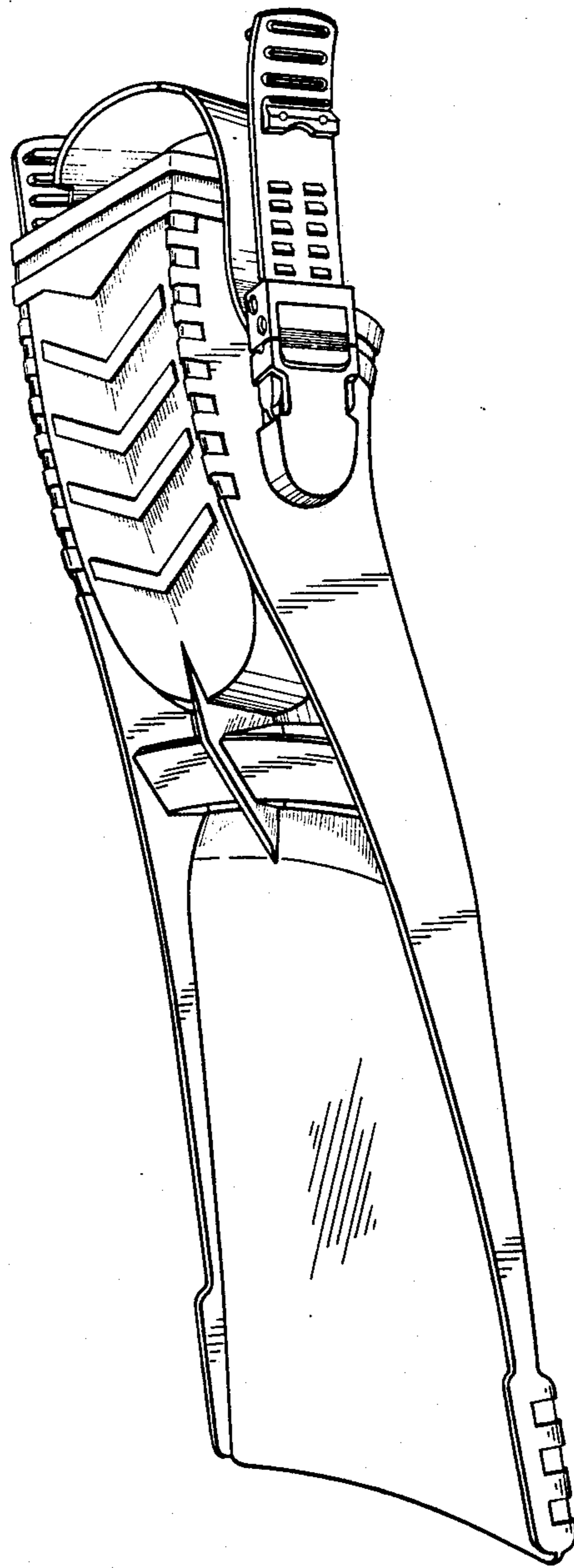


FIG. 1



FIG.2



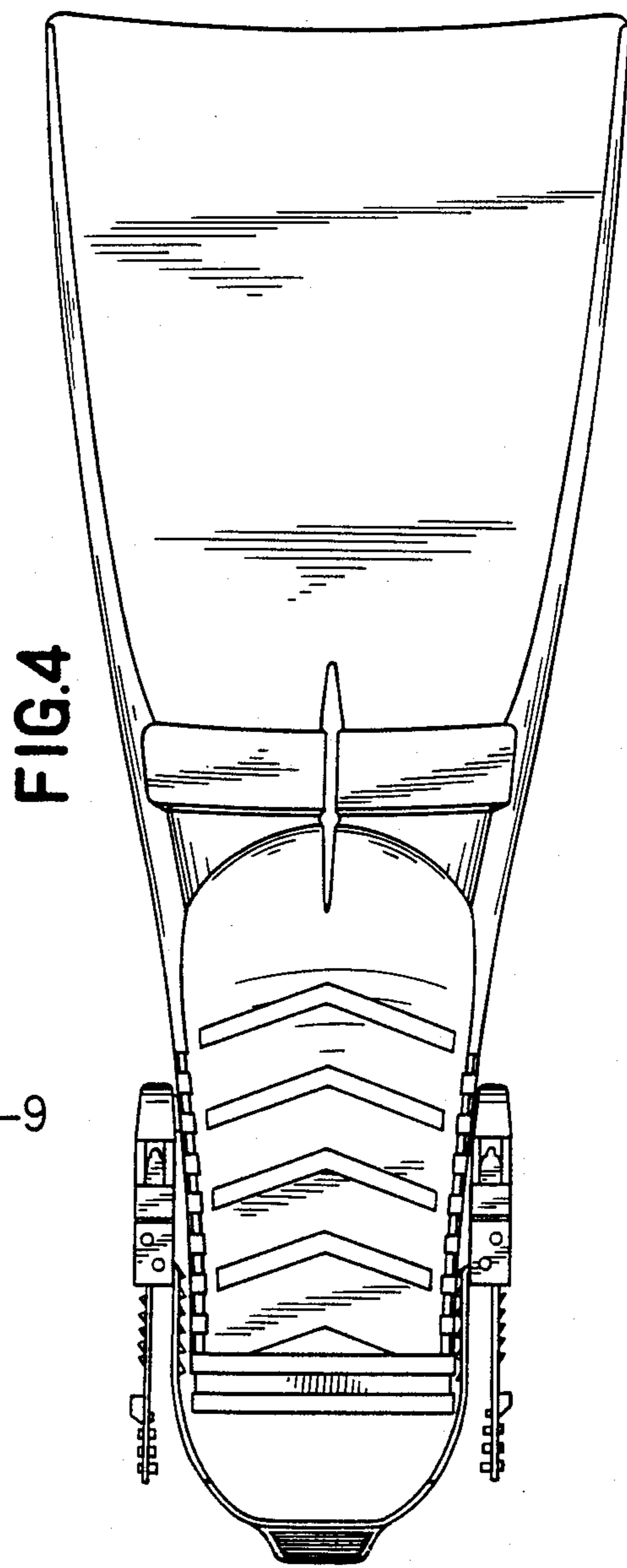
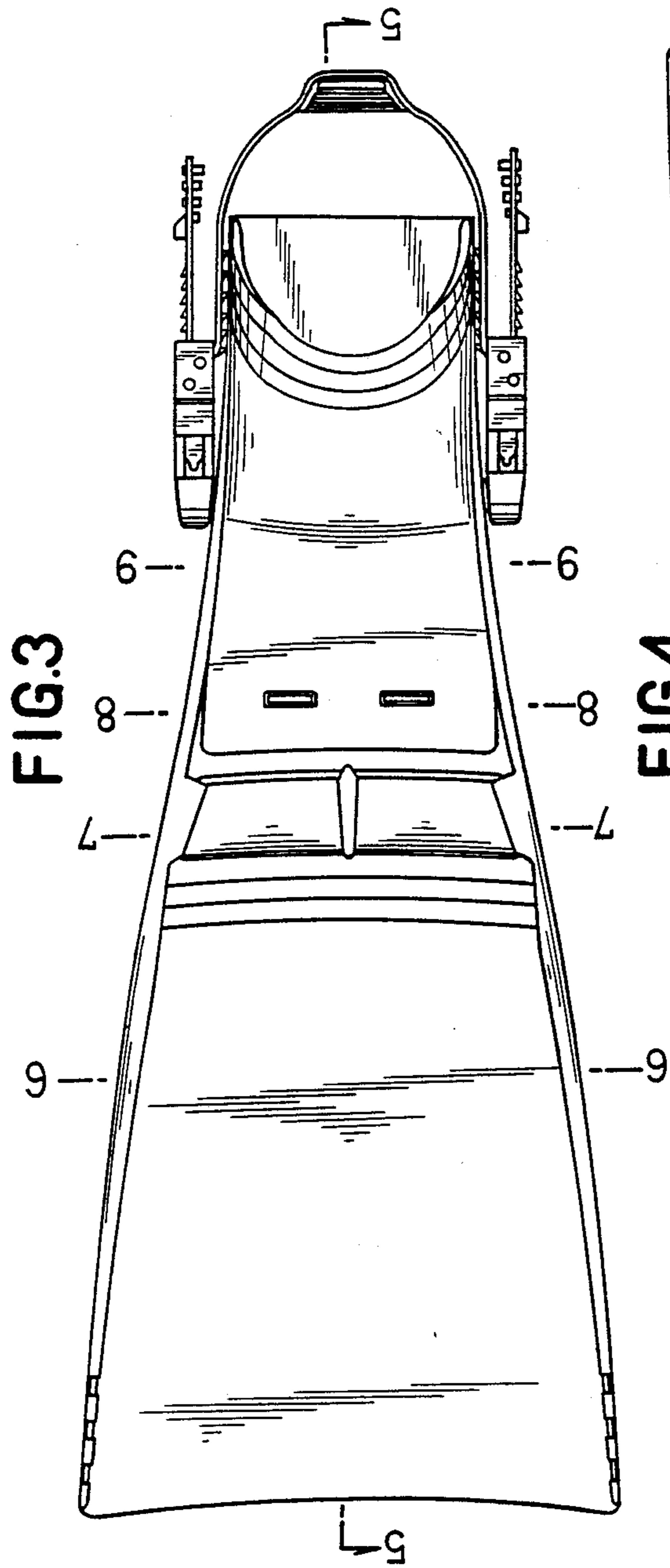


FIG.5

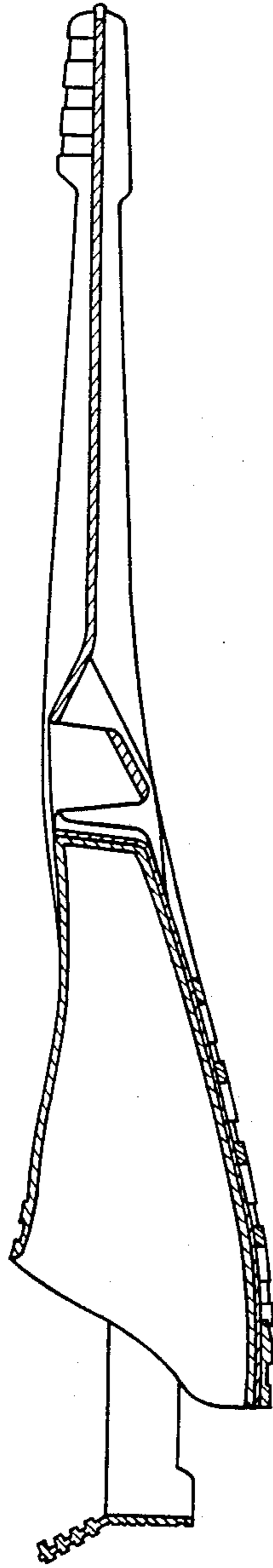


FIG.8

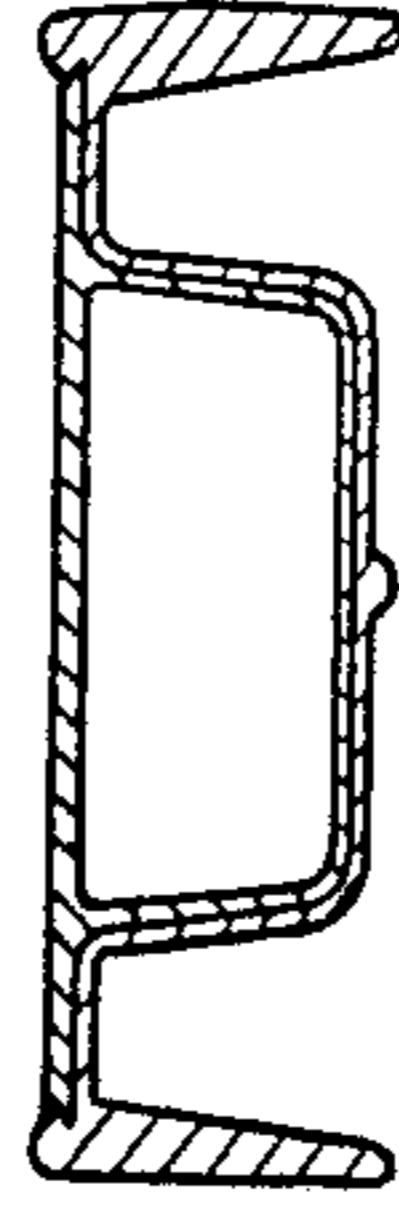


FIG.9

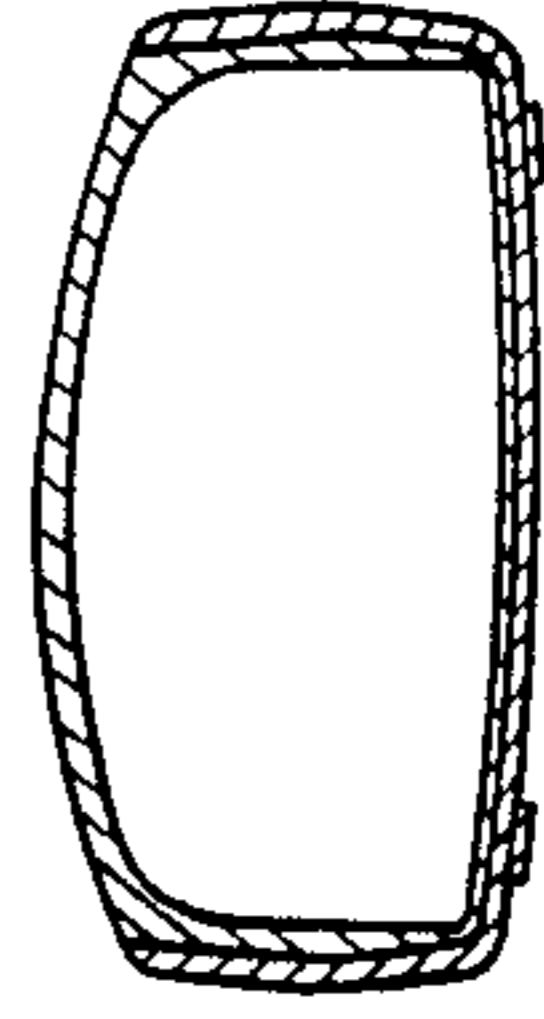


FIG.6



FIG.7

