

[54] FOOTBALL TRAINING AID

[75] Inventor: Neil F. Gilman, Glastonbury, Conn.

[73] Assignee: Marty Gilman Incorporated, Gilman, Conn.

[**] Term: 14 Years

[21] Appl. No.: 261,462

[22] Filed: Oct. 24, 1988

[52] U.S. Cl. D21/199

[58] Field of Search D21/199; 273/55 A, 55 R

[56] References Cited

U.S. PATENT DOCUMENTS

2,237,600	4/1941	Gilman	273/55 R
2,620,188	12/1952	Malagio	273/55 R
2,653,816	9/1953	Young et al.	273/55 R
2,752,155	6/1956	Nedwick .	
3,304,089	2/1967	Smith .	
3,451,677	6/1969	Nedwick .	
3,999,755	12/1976	Shealy, Jr. .	

OTHER PUBLICATIONS

Football Field Equipment Catalog, 1956, Nov. 7.

Primary Examiner—Louis S. Zarfes
Attorney, Agent, or Firm—Darby & Darby

[57] CLAIM

The ornamental design for a football training aid, as shown and described.

DESCRIPTION

FIG. 1 is a front elevational view of a football training aid, showing my new design;

FIG. 2 is a rear elevational view thereof showing the tackling dummies in phantom line, the tackling dummies are shown in broken lines for illustrative purposes only;

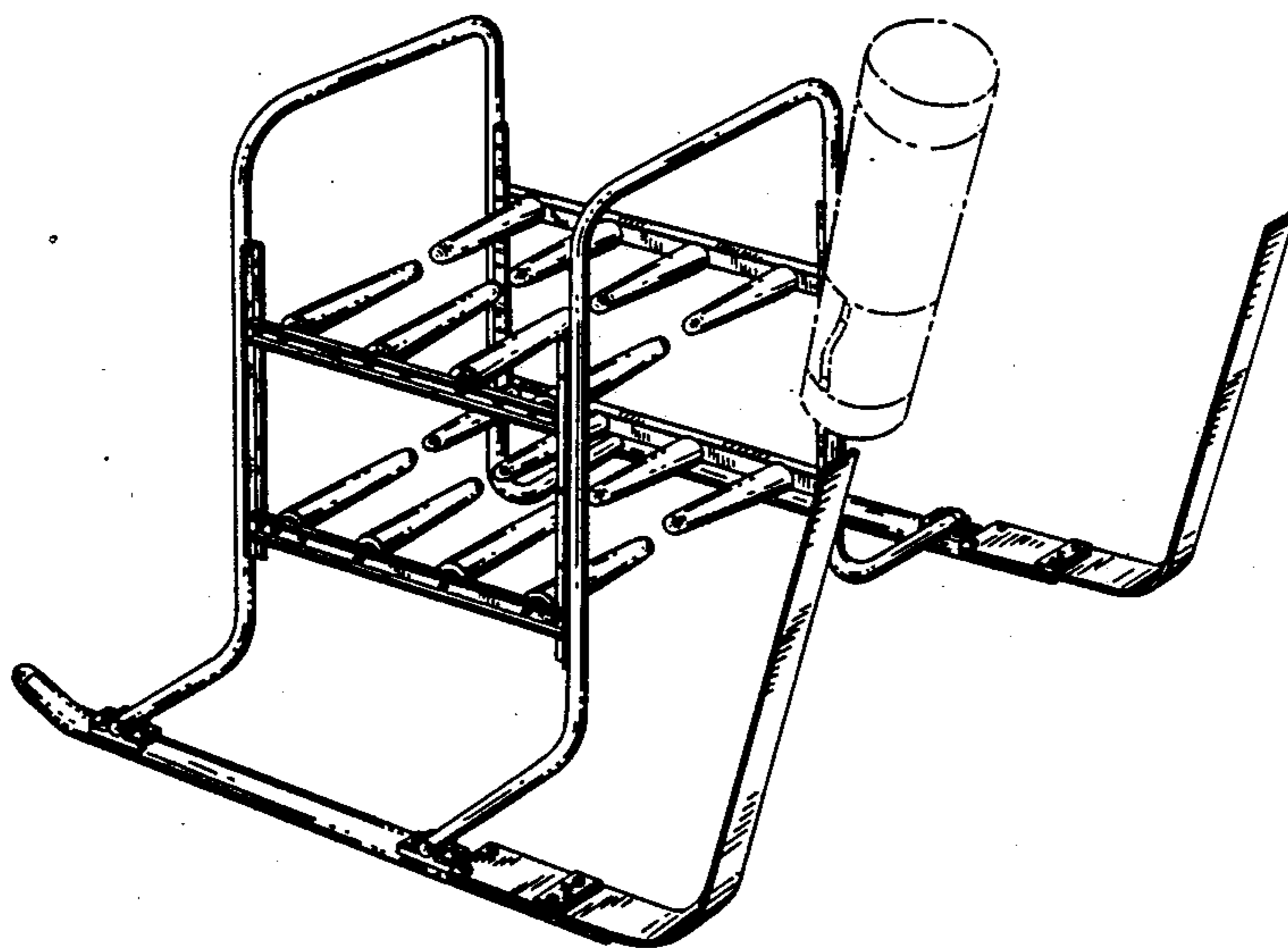
FIG. 3 is a left side view thereof, the right side view being a mirror image thereof;

FIG. 4 is a top plan view thereof;

FIG. 5 is a bottom plan view thereof; and

FIG. 6 is a perspective view thereof as viewed from the left side and to a reduced scale, with the broken line showing of a tackling dummy in an exploded position for clarity of illustration.

The characteristic feature of my new design resides in the inwardly directed non-overlapping resistor arms in combination with substantially straight skid arms.



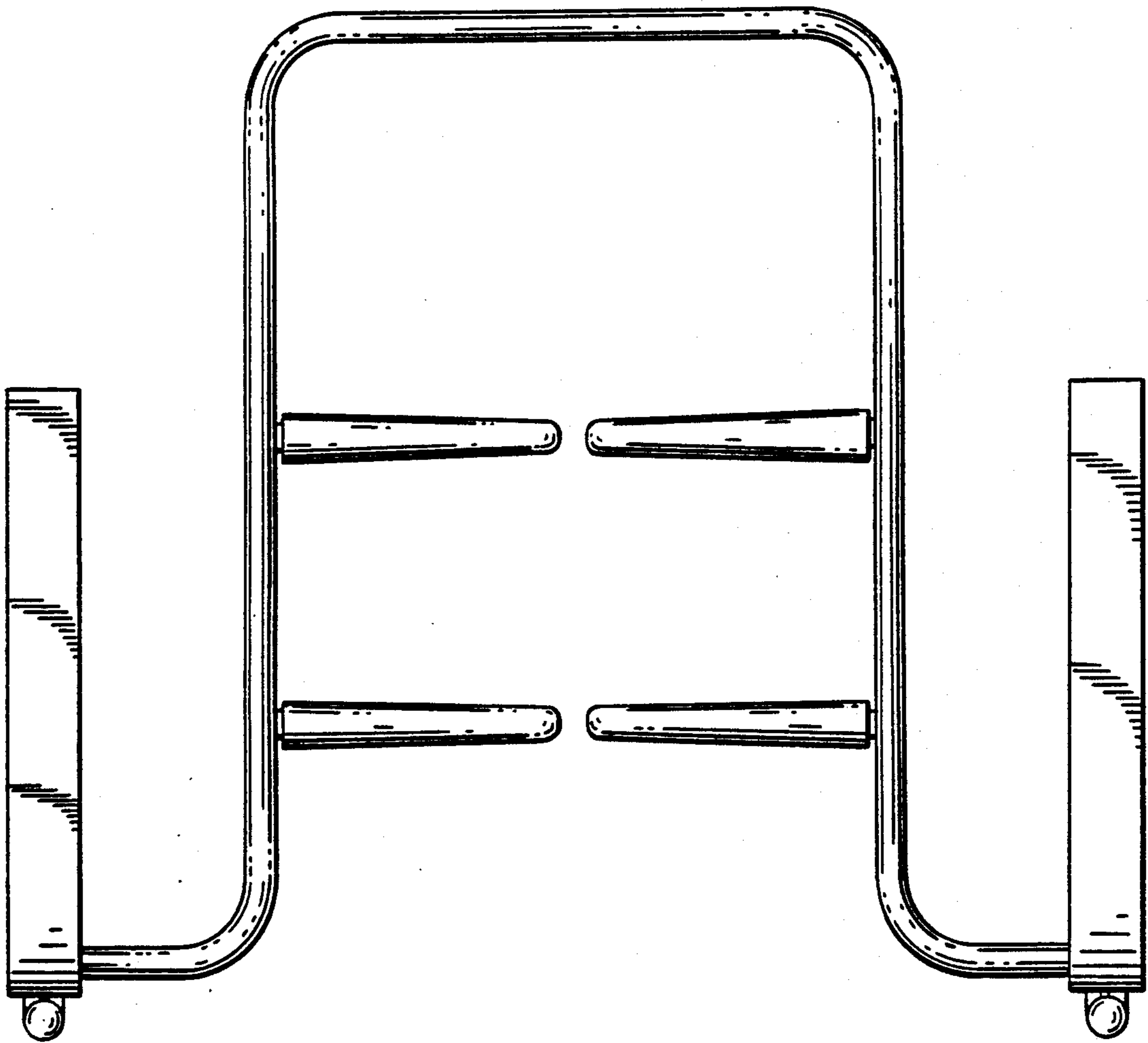
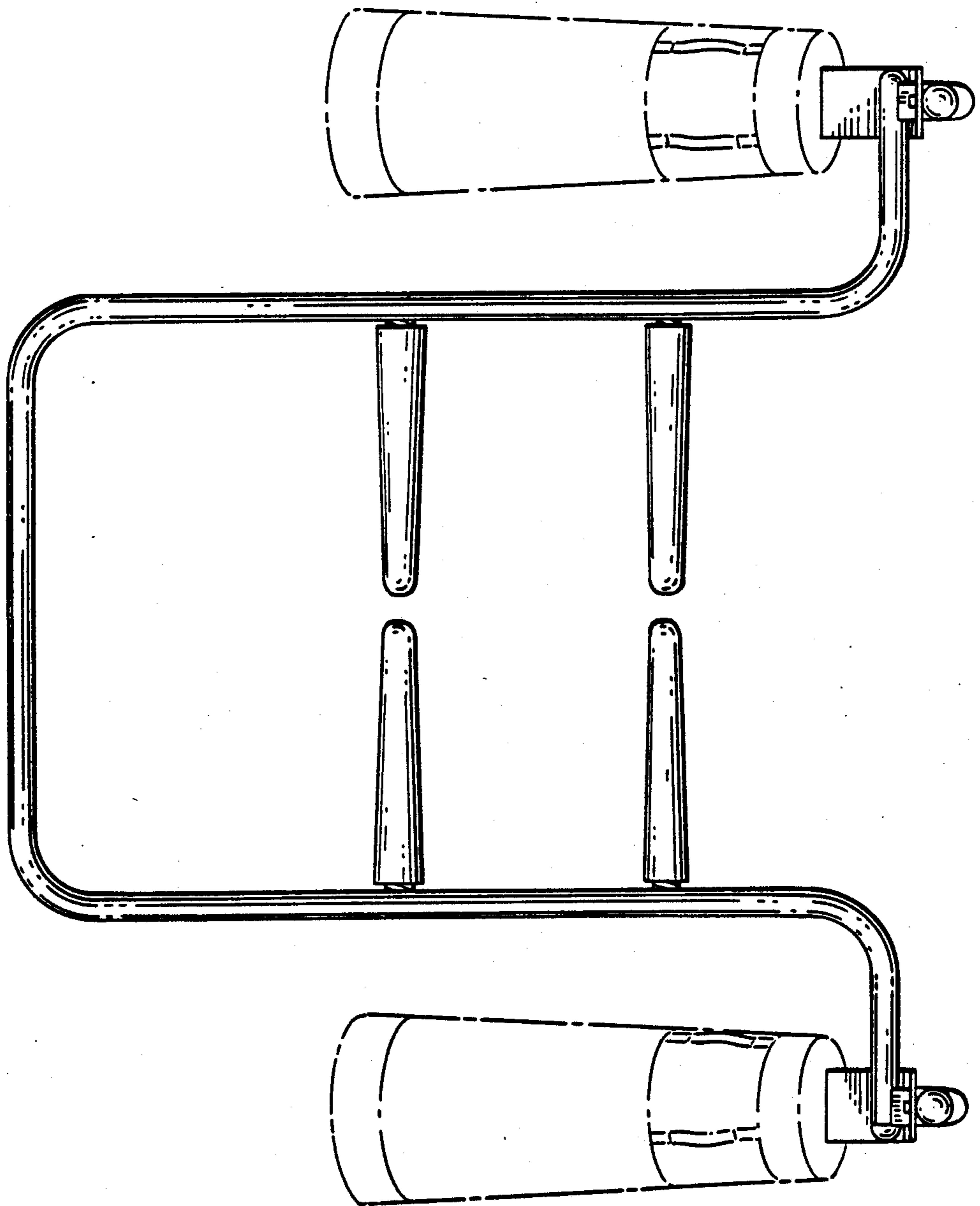


FIG. 1

FIG. 2



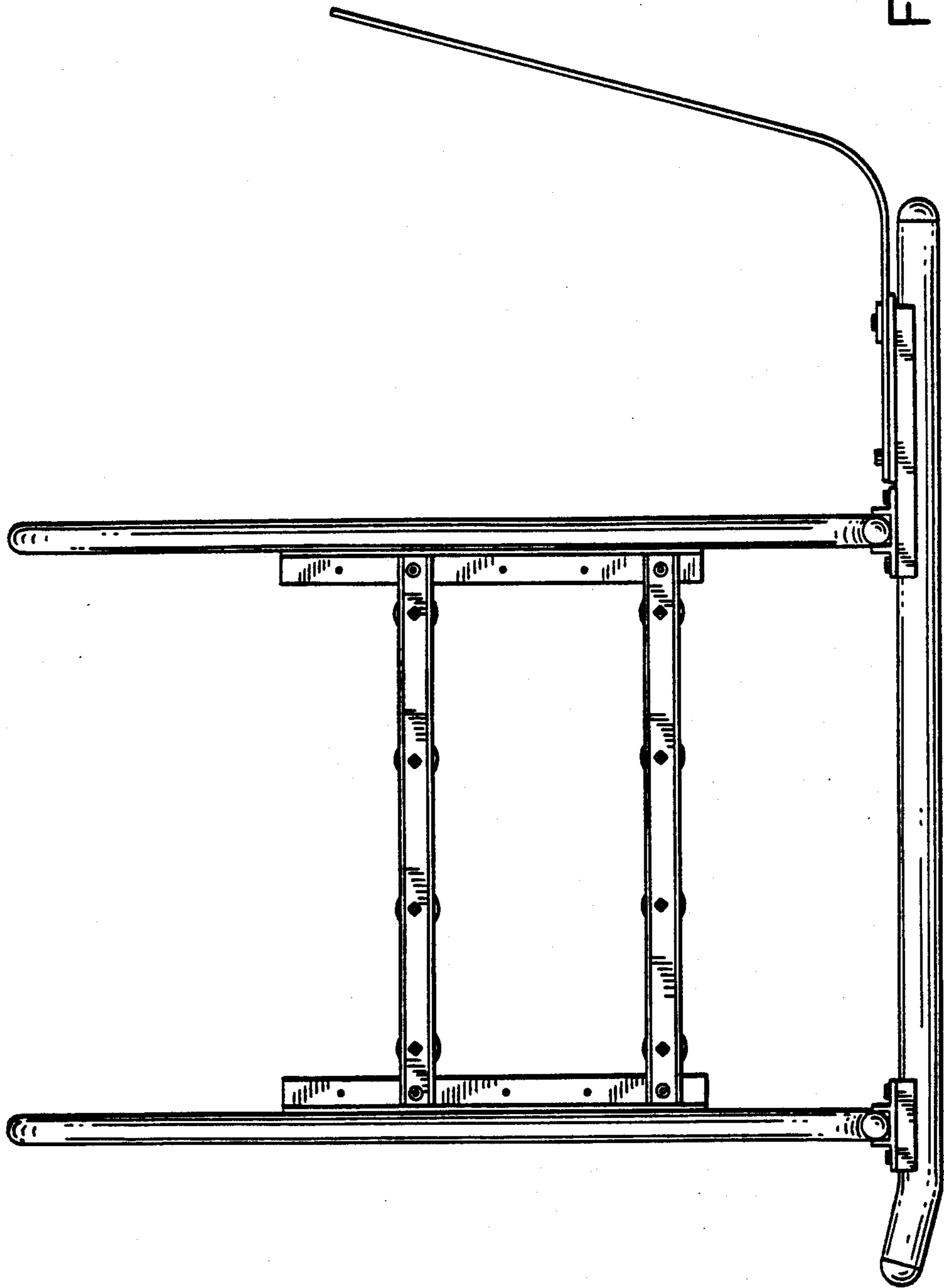


FIG. 3

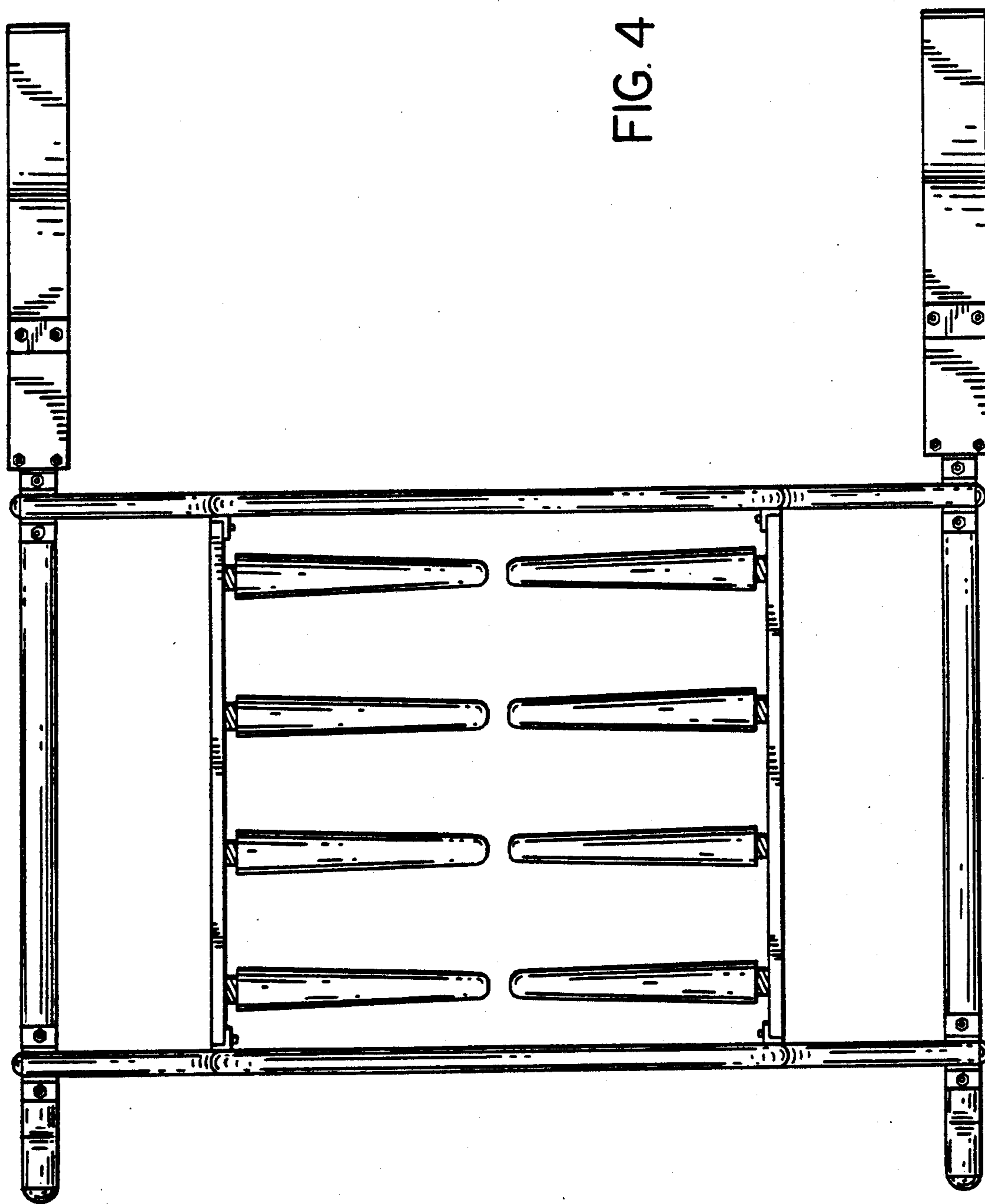
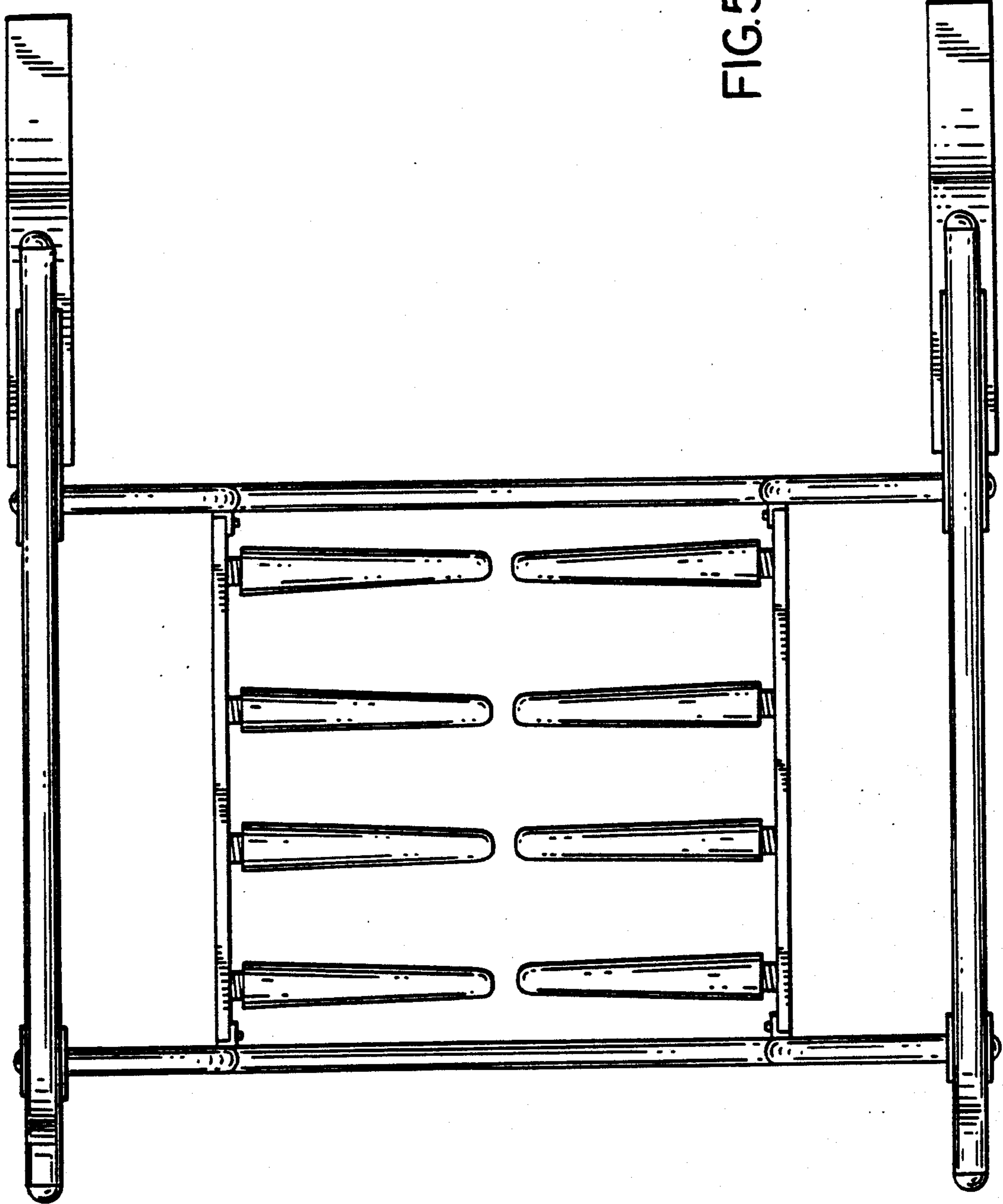


FIG. 4

FIG. 5



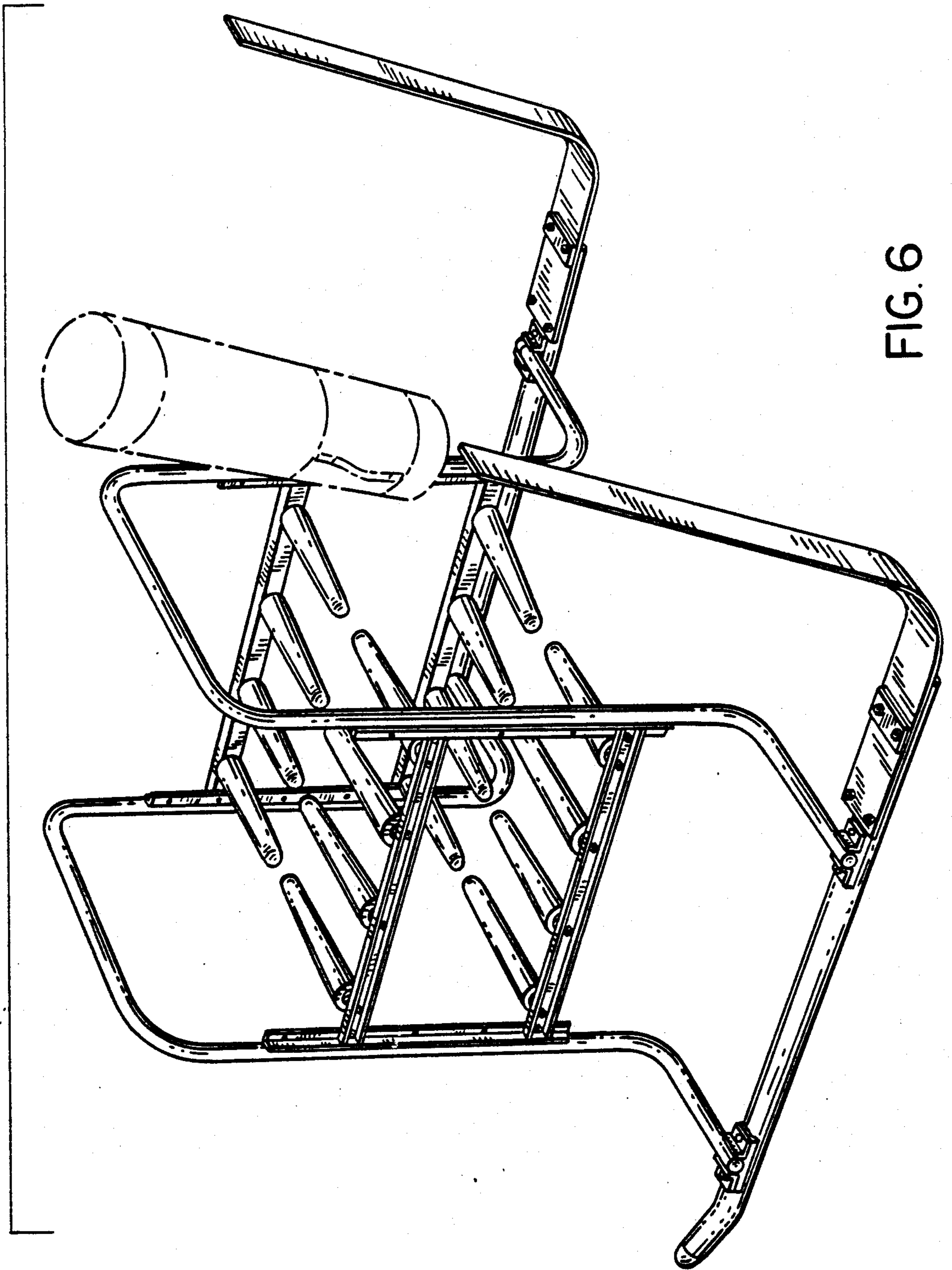


FIG. 6