

[54] **UPPER ARM PHYSICAL EXERCISER**

[76] **Inventor: Ted Pleasant, Rt. 1, Box 222-B5, Angier, N.C. 27501**

[**] **Term: 14 Years**

[21] **Appl. No.: 216,239**

[22] **Filed: Jul. 7, 1988**

[52] **U.S. Cl. D21/190; D21/191**

[58] **Field of Search D21/191-199; 272/67, 68, 92, 118, 130-136, 143**

[56] **References Cited**

U.S. PATENT DOCUMENTS

- D. 290,033 5/1987 Policastro D21/198
- D. 301,267 5/1989 Lane D21/191

4,570,925 2/1986 Kock et al. .

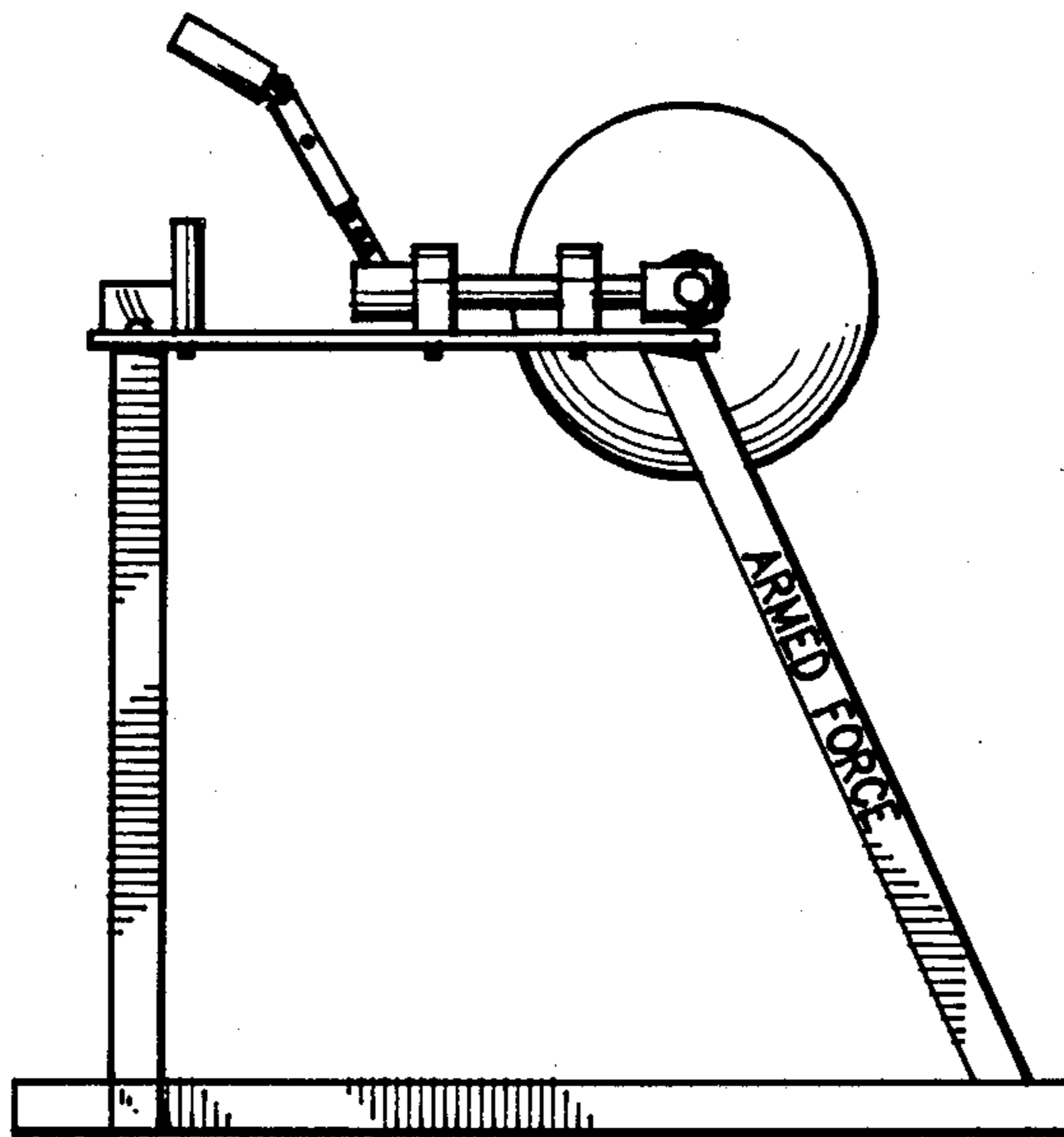
Primary Examiner—Charles A. Rademaker
Attorney, Agent, or Firm—Jerry T. Kearns

[57] **CLAIM**

The ornamental design for an upper arm physical exerciser, as shown and described.

DESCRIPTION

FIG. 1 is a front elevational view of an upper arm physical exerciser showing my new design; FIG. 2 is a rear elevational view thereof; FIG. 3 is a left side elevational view thereof; FIG. 4 is a right side elevational view thereof; FIG. 5 is a top plan view thereof; and, FIG. 6 is a bottom plan view thereof.



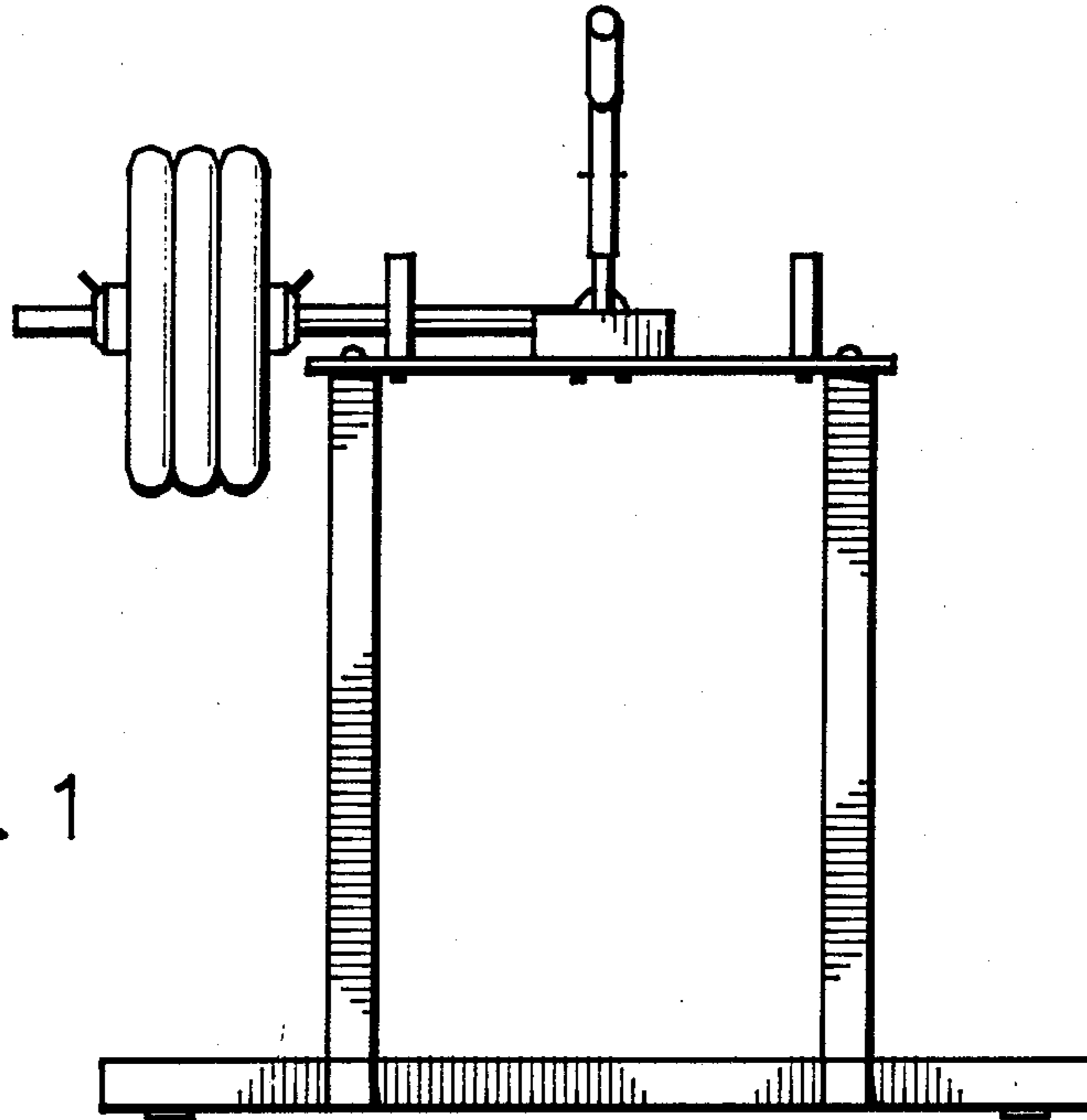


Fig. 1

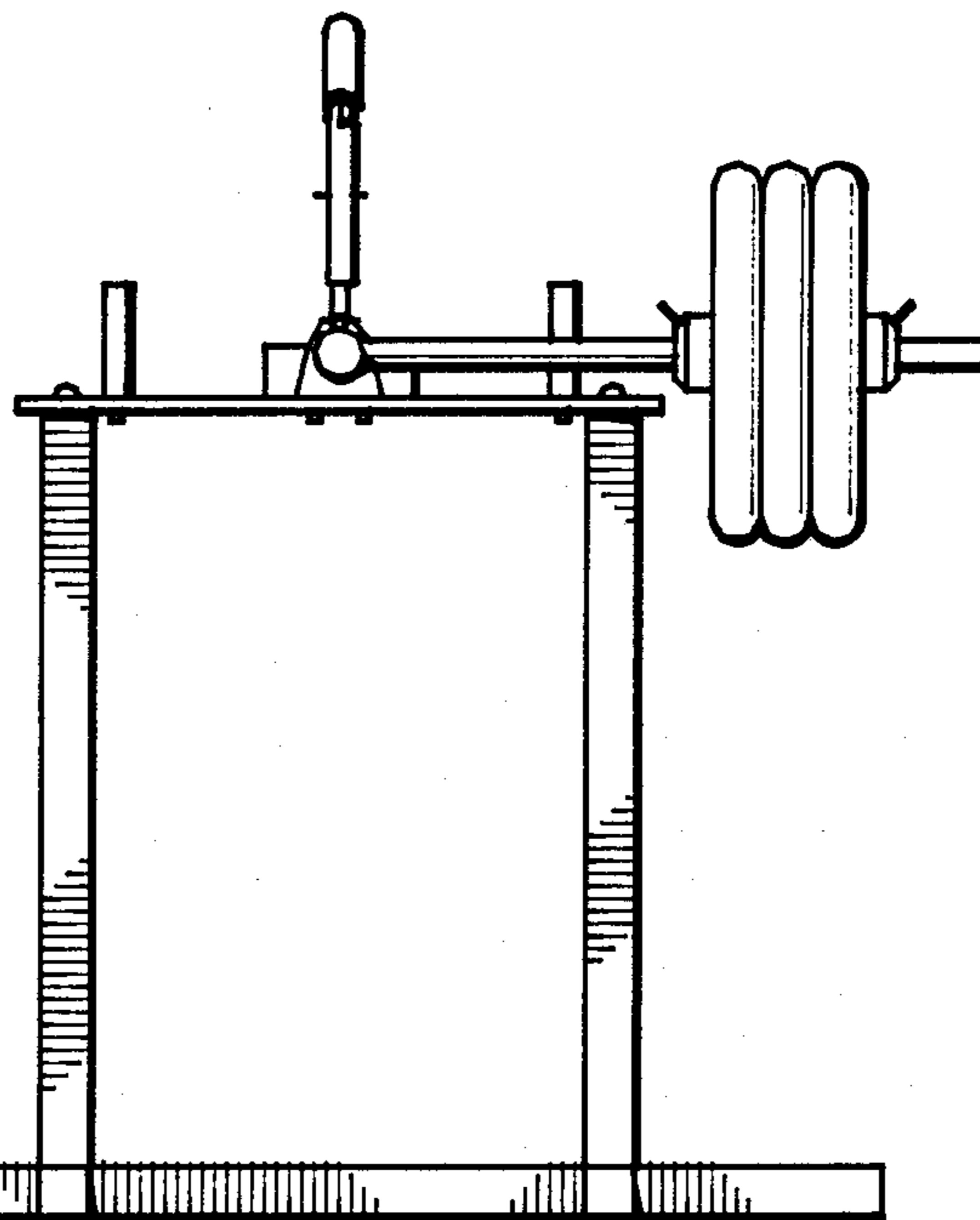


Fig. 2

Fig. 3

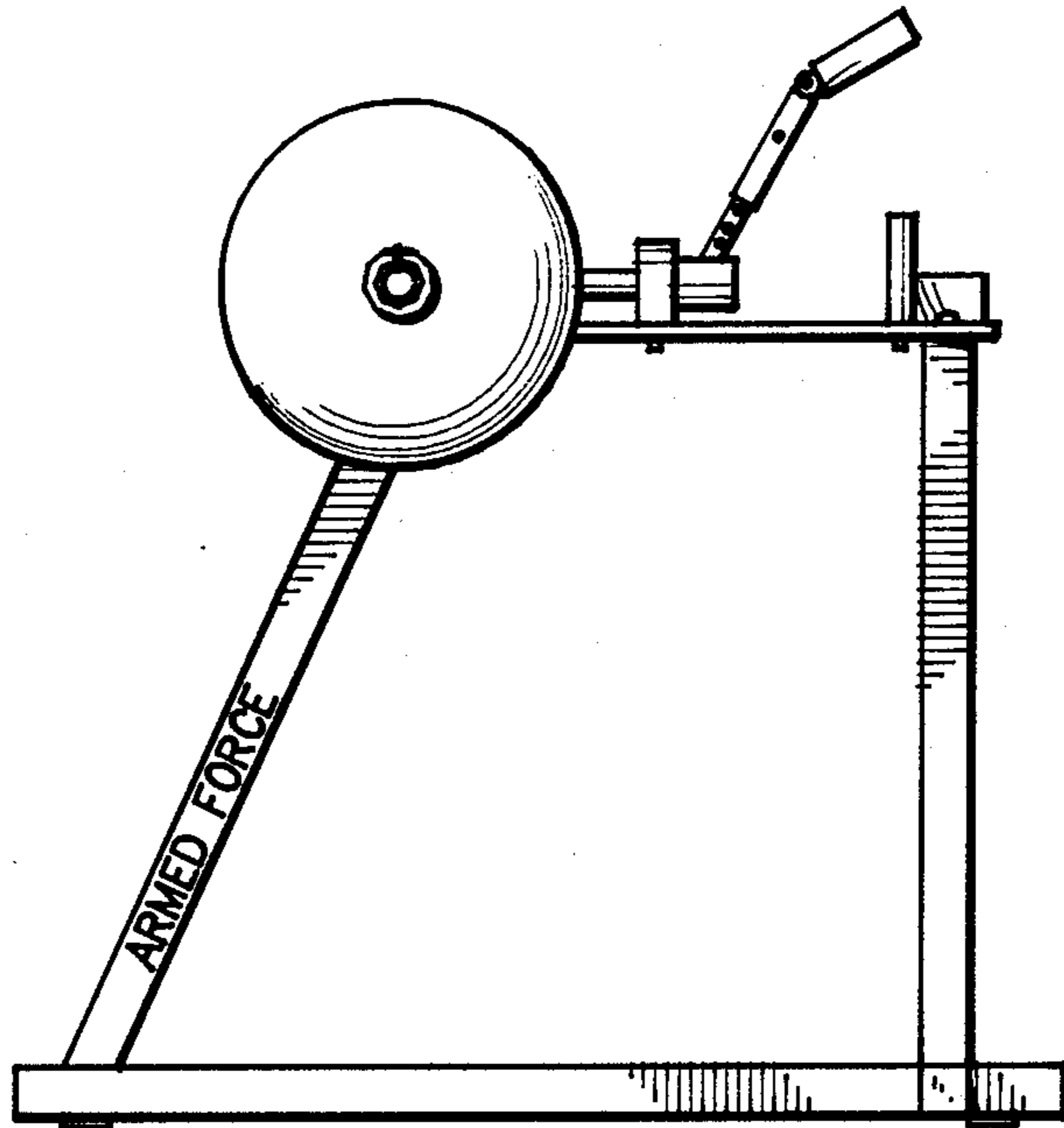


Fig. 4

