

[54] **BARREL SIGN**

[75] **Inventors:** Joel M. Anderson, North Oaks;
Gregory G. Hollenkemp, St. Paul,
both of Minn.

[73] **Assignee:** Ashland Oil, Inc., Ashland, Ky.

[**] **Term:** 14 Years

[21] **Appl. No.:** 169,732

[22] **Filed:** Mar. 18, 1988

[52] **U.S. Cl.** D20/10

[58] **Field of Search** D20/10, 37, 28; 40/306,
40/584, 612, 307; 52/103, 104; 350/319, 321,
557, 574, 591

[56] **References Cited**

U.S. PATENT DOCUMENTS

4,430,816 2/1984 Seton et al. 40/306

OTHER PUBLICATIONS

Visual Merchandising and Store Design, 8/1986, p. 117,
(System Track), top of page.

Primary Examiner—Wallace R. Burke
Assistant Examiner—Marcus Jackson
Attorney, Agent, or Firm—Richard C. Willson, Jr.;
Stanley M. Welsh

[57] **CLAIM**

The ornamental design for a barrel sign, as shown and
described.

DESCRIPTION

FIG. 1 is a perspective view of a barrel sign showing
my new design, with the broken lines shown for illustra-
tive purposes only and forming no part of the claimed
design;

FIG. 2 is a front elevational view thereof;

FIG. 3 is a top plan view thereof.

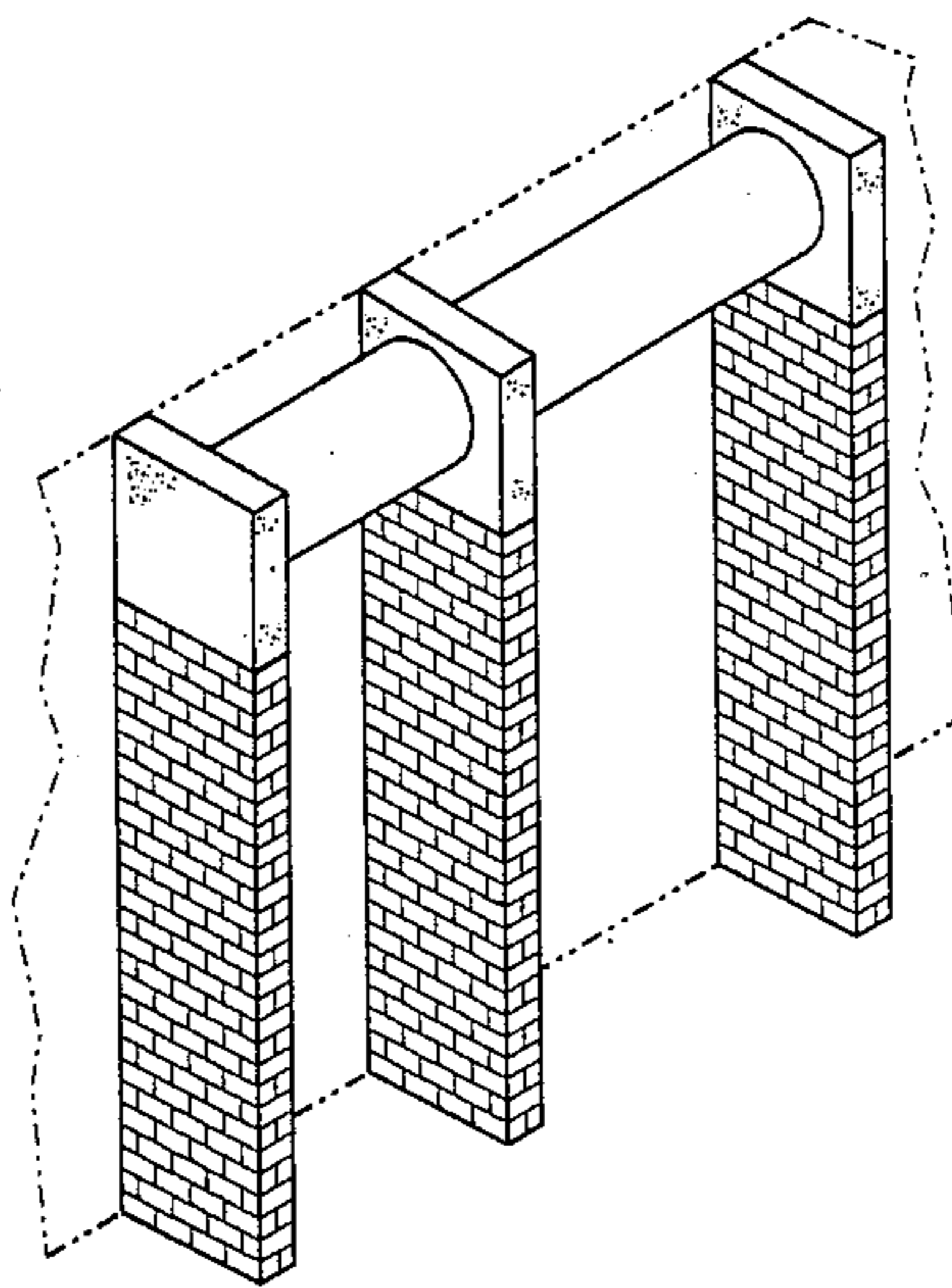


FIG. 1

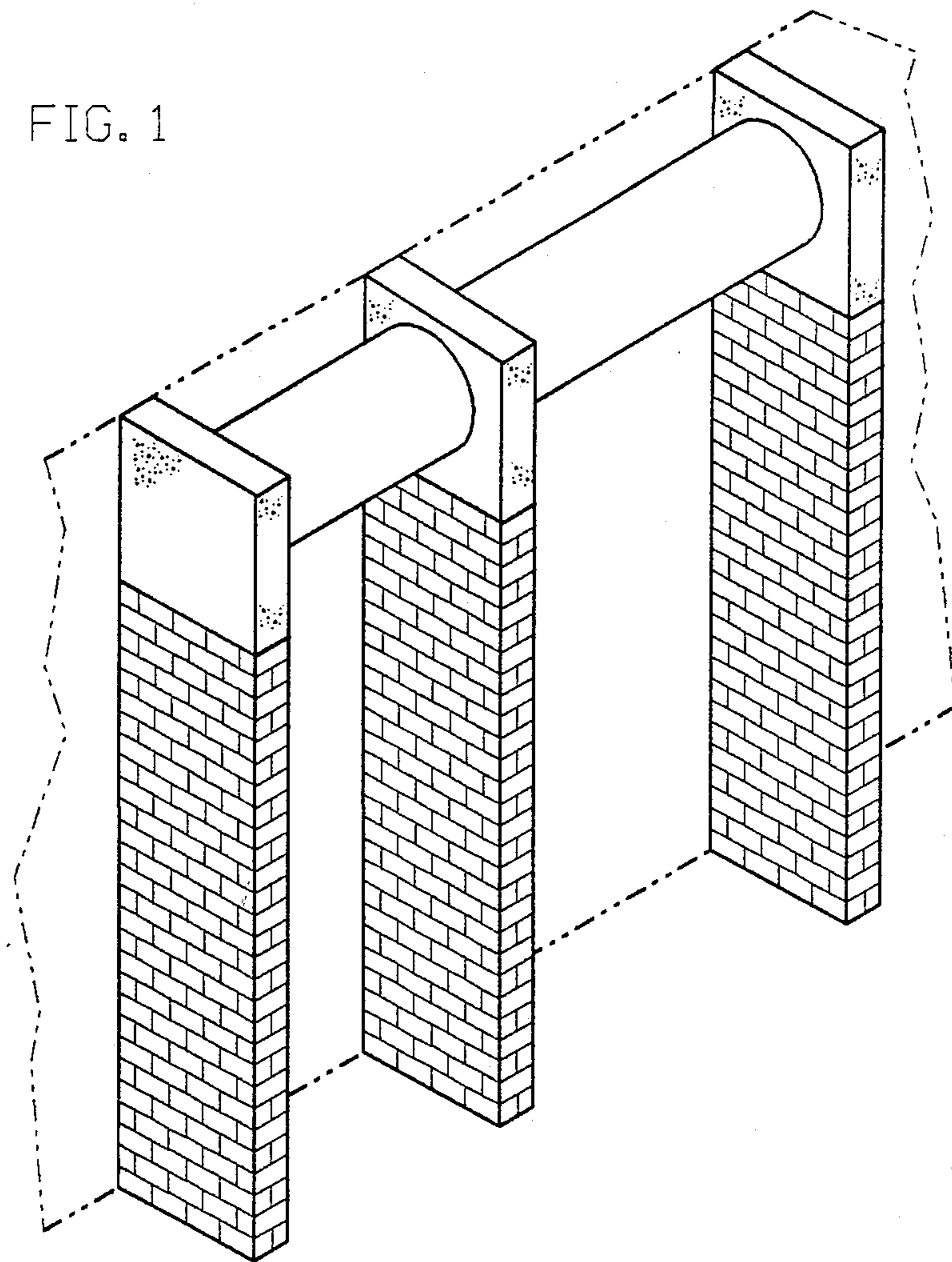


FIG. 2

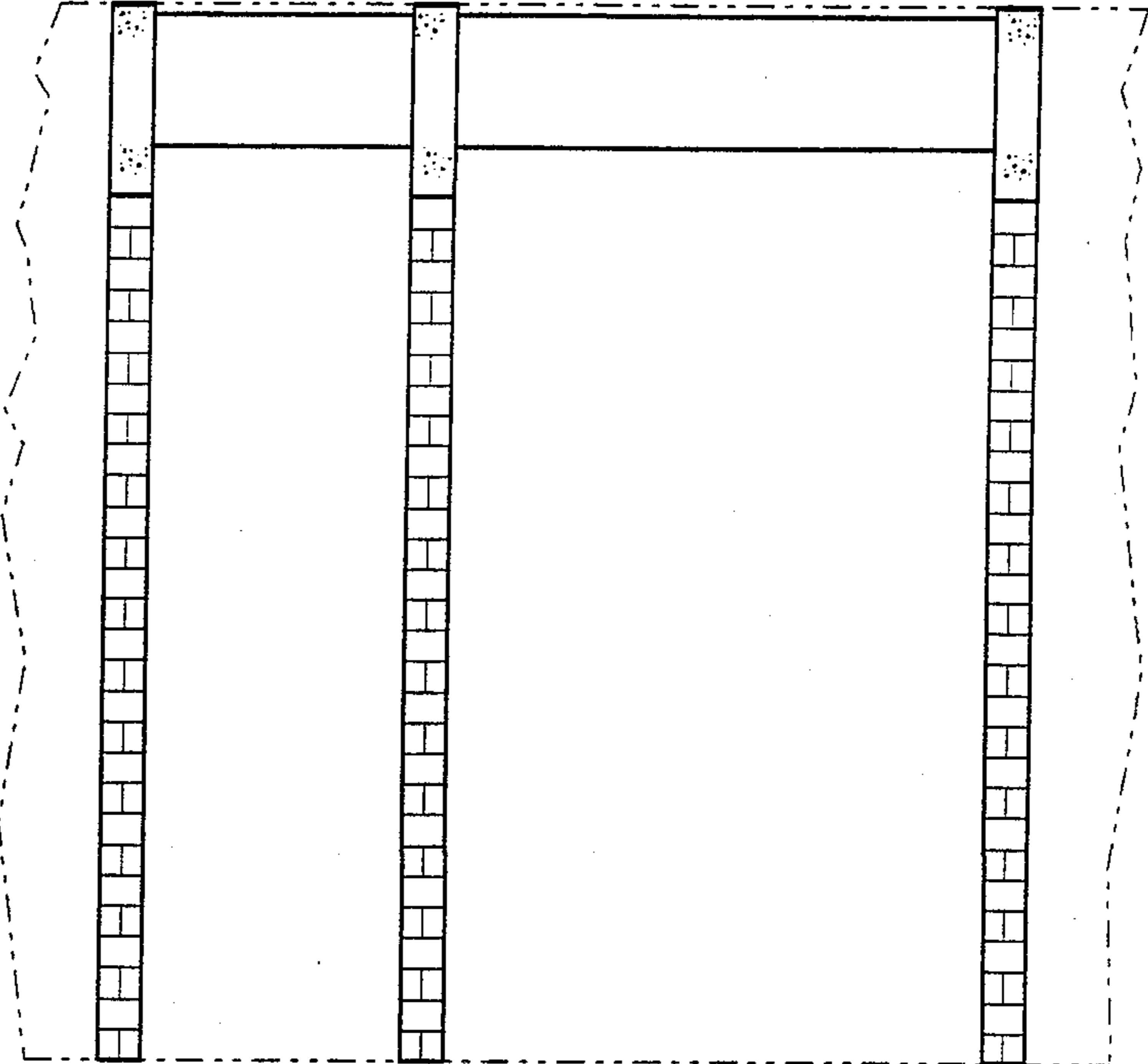


FIG. 3

