

[54] COUNTING TOY

[76] Inventor: Thomas L. Delcambre, P.O. Box 851, New Iberia, La. 70561-0851

[\*\*] Term: 14 Years

[21] Appl. No.: 197,411

[22] Filed: May 23, 1988

[52] U.S. Cl. .... D19/59; D21/59; D21/103

[58] Field of Search ..... D21/59, 109, 103; 446/1, 75; 434/259, 260, 407, 128; D19/62, 59, 69

[56] References Cited

U.S. PATENT DOCUMENTS

D. 159,034	6/1950	Young	446/1
D. 166,791	5/1952	Biever	D19/59
D. 197,656	3/1964	Markham	D21/103
2,020,562	11/1935	Miller	446/75

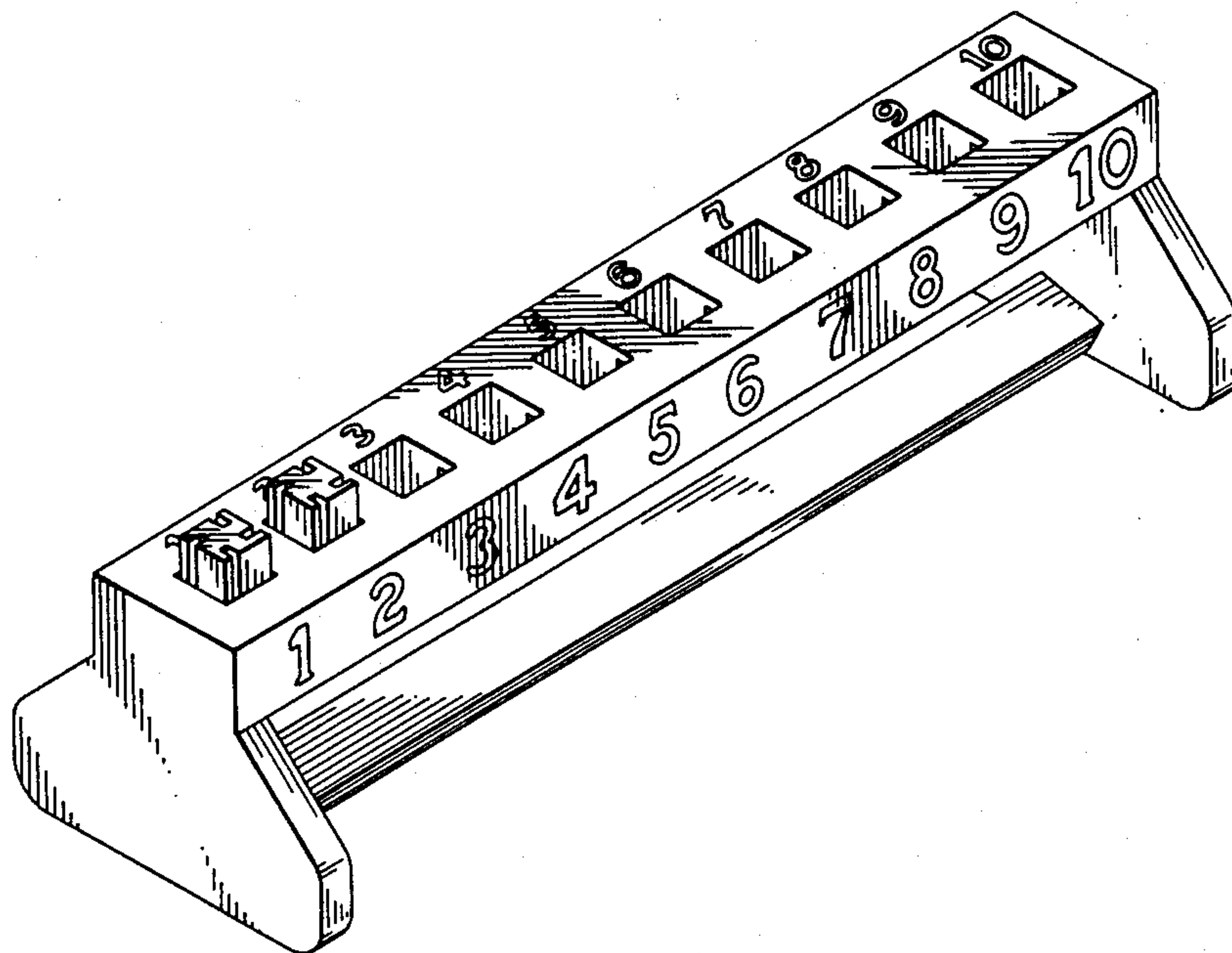
Primary Examiner—Charles A. Rademaker  
Attorney, Agent, or Firm—Matthews & Associates

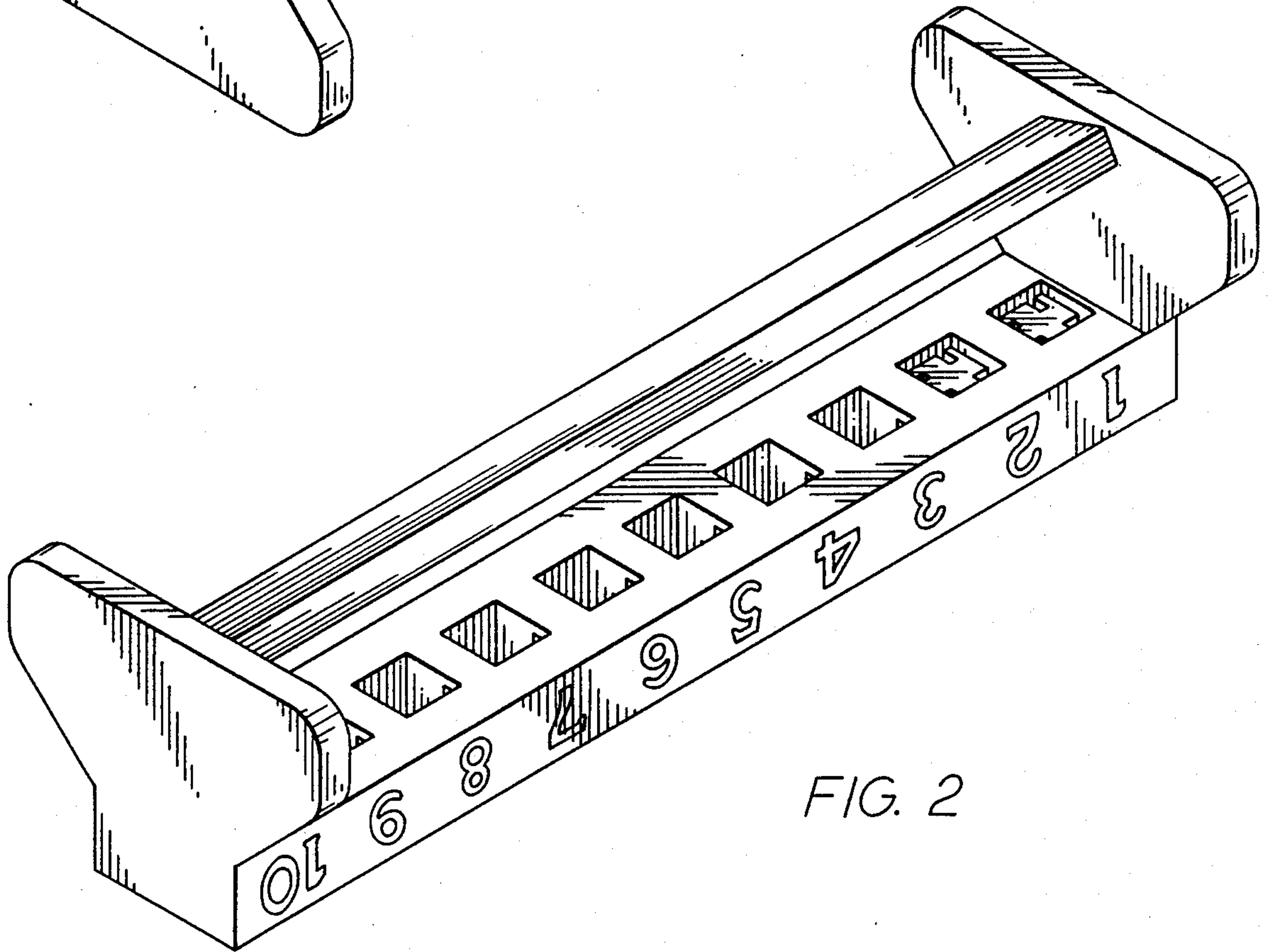
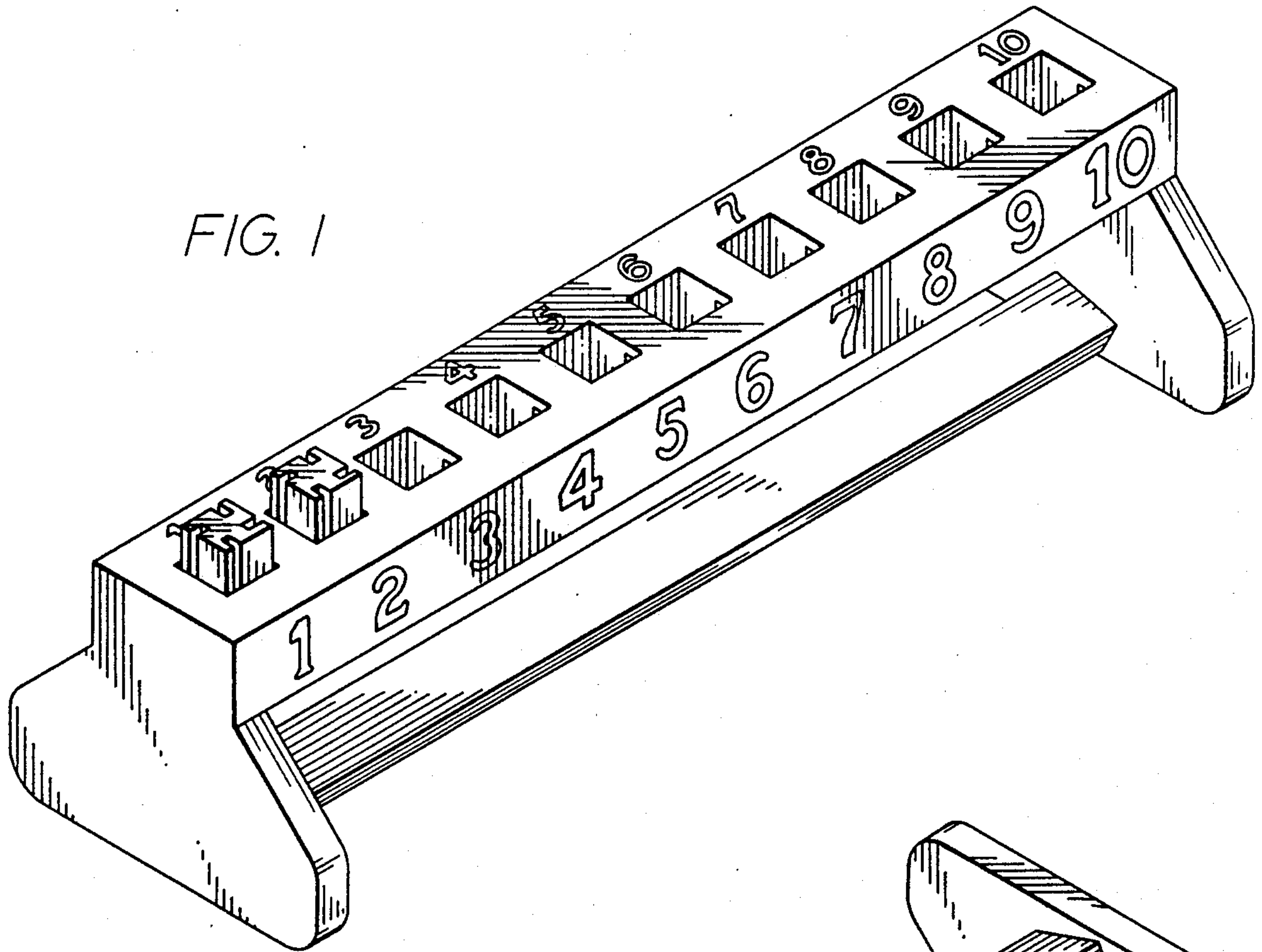
[57] CLAIM

The ornamental design for a counting toy, as shown and described.

DESCRIPTION

FIG. 1 is a top perspective view of a counting toy showing my new design;  
 FIG. 2 is a bottom perspective view thereof;  
 FIG. 3 is a top plan view thereof shown on a slightly reduced scale;  
 FIG. 4 is a front elevational view thereof;  
 FIG. 5 is a bottom plan view thereof;  
 FIG. 6 is an end elevational view thereof, the end opposite being identical, and,  
 FIG. 7 is a fragmentary cross-sectional view thereof taken along line 7—7 in FIG. 1 and shown on an enlarged scale.





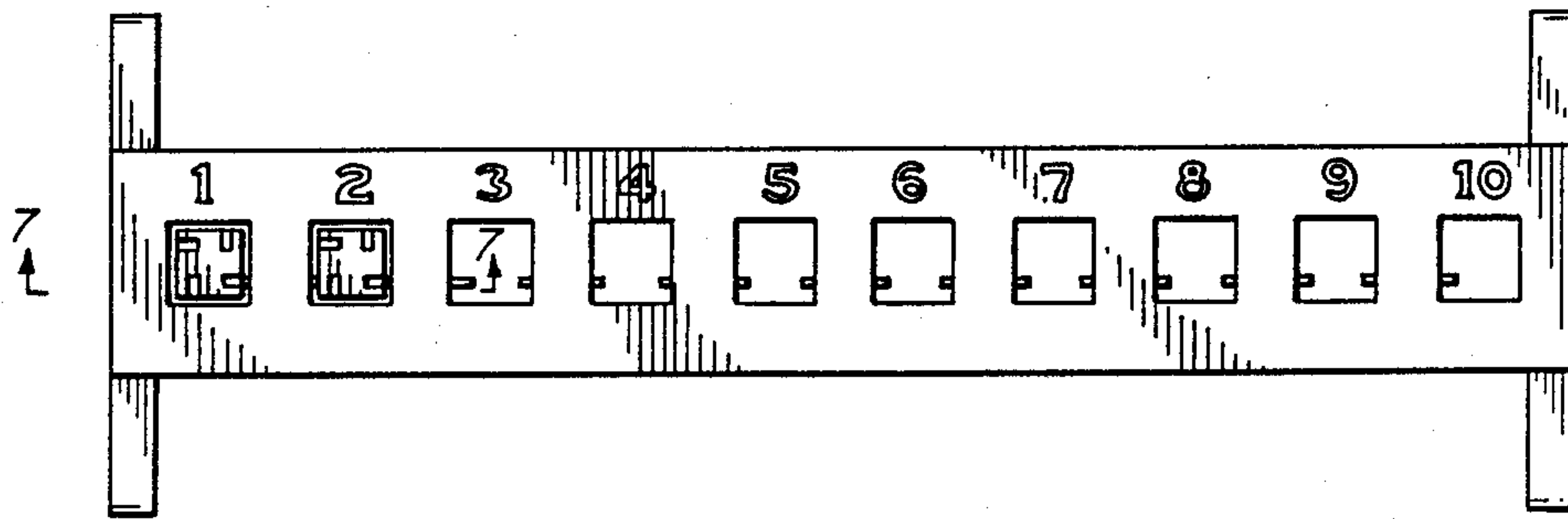


FIG. 3

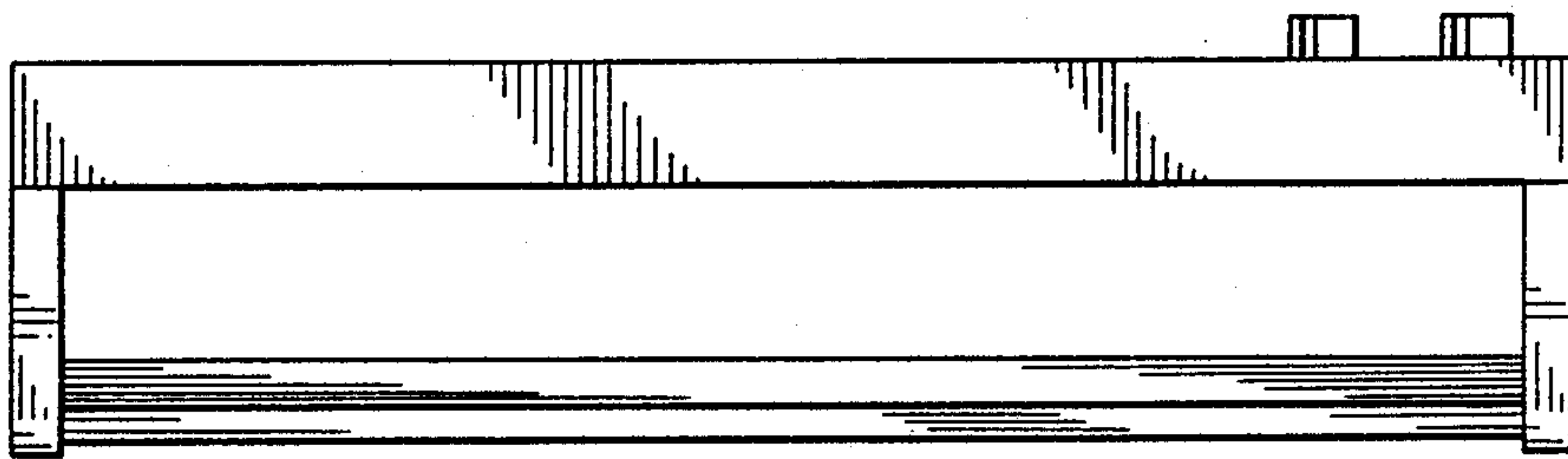


FIG. 4

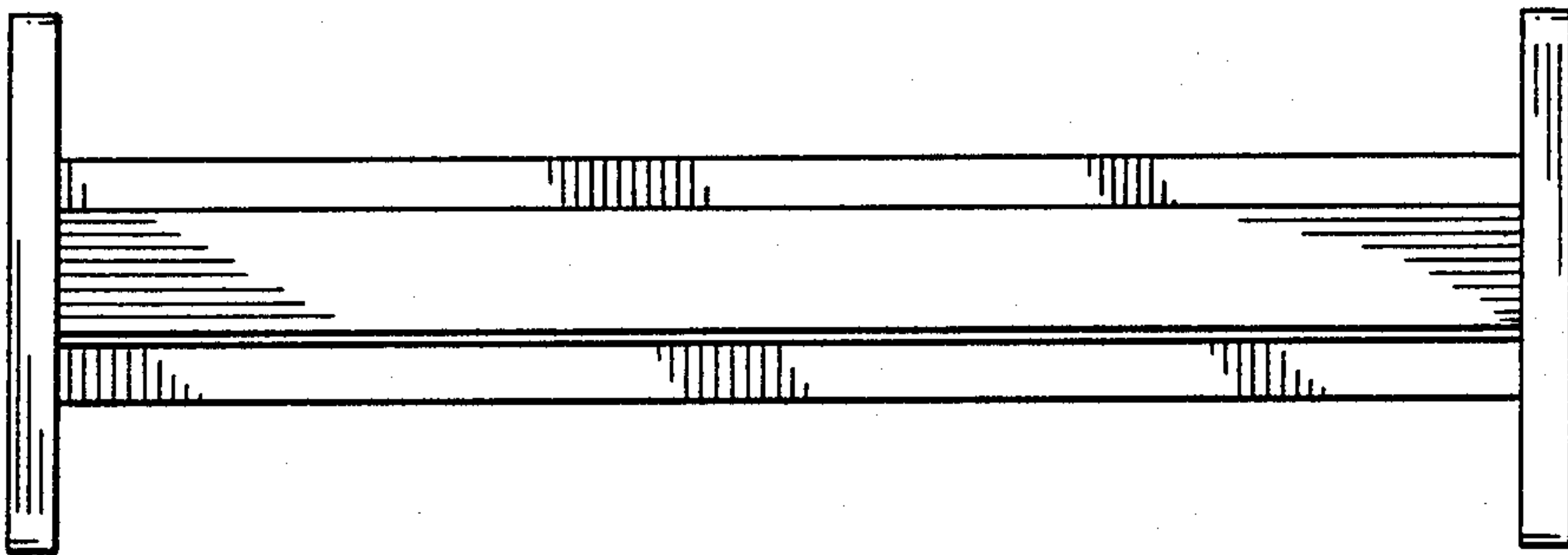


FIG. 5

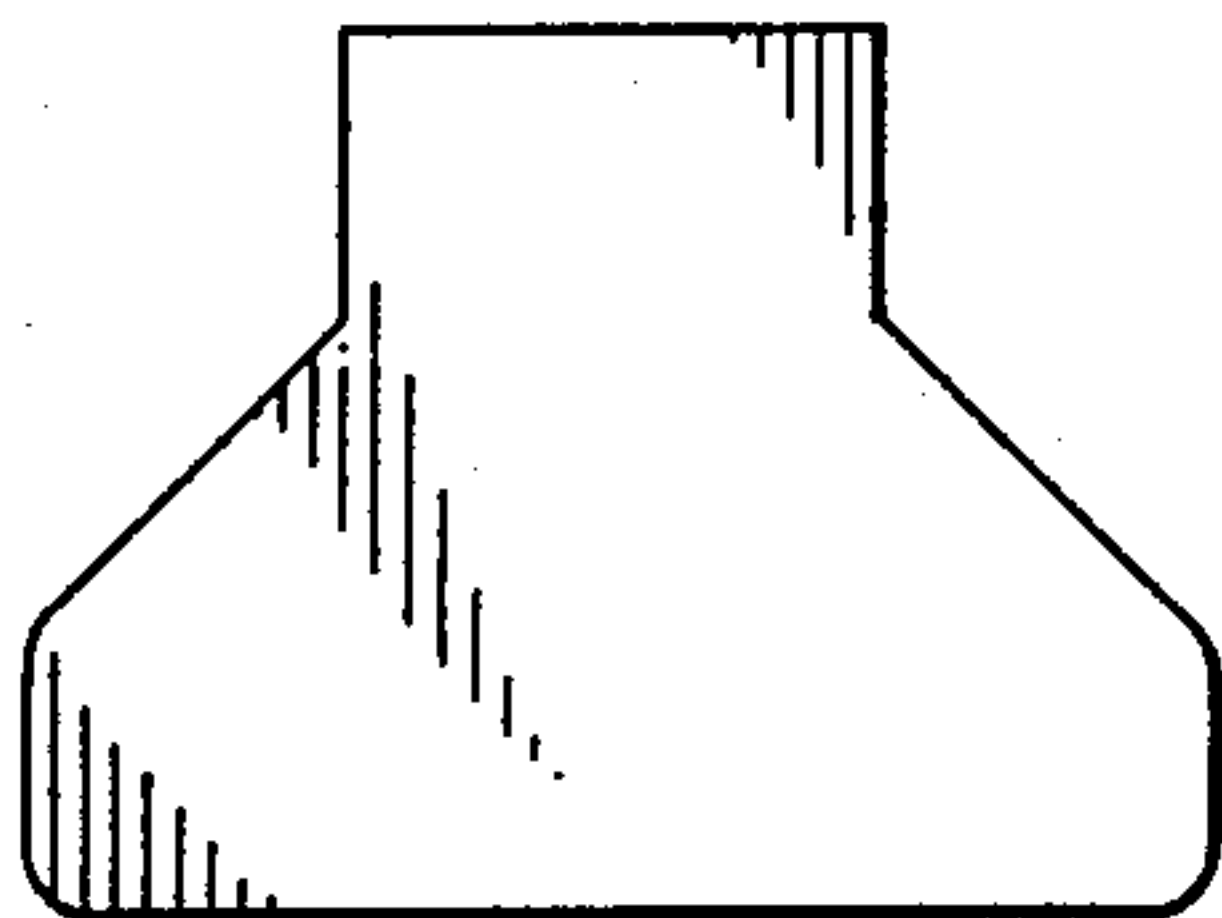


FIG. 6

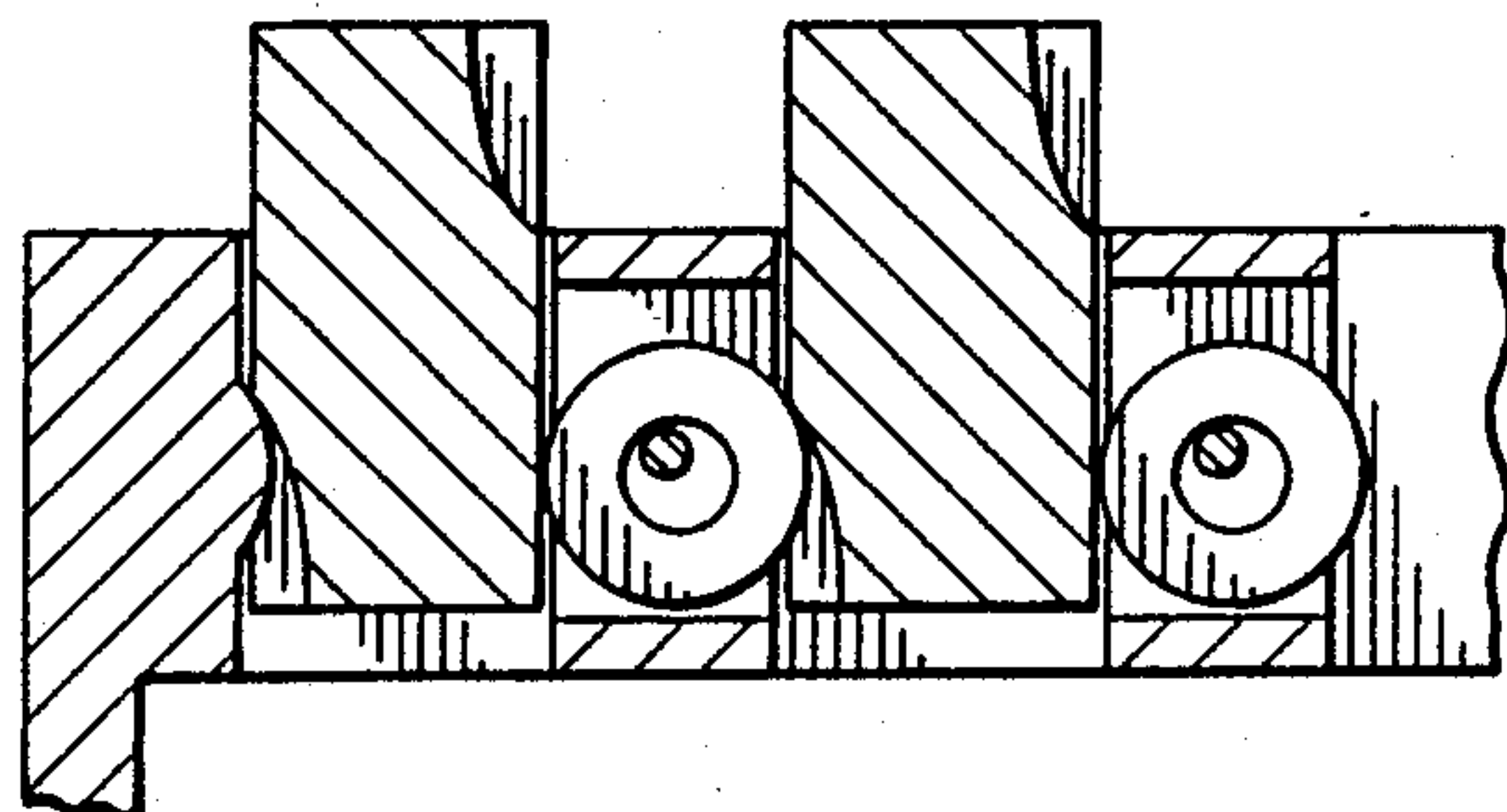


FIG. 7