

[54] SHAFT FOR A WRITING IMPLEMENT

[75] Inventor: Andrej Ferjan, Ljubljana, Yugoslavia

[73] Assignee: Vili Brandt, Ljubljana, Yugoslavia

[**] Term: 14 Years

[21] Appl. No.: 36,400

[22] Filed: Apr. 9, 1987

[30] Foreign Application Priority Data

Oct. 9, 1986 [YU] Yugoslavia M 614/86

[52] U.S. Cl. D19/55; D19/49

[58] Field of Search D19/35, 36, 41-51,
D19/54-58; 401/6, 7, 8

[56] References Cited

U.S. PATENT DOCUMENTS

D. 136,595	11/1943	Pleasants	D19/45
D. 142,361	9/1945	Haule	D19/51
D. 181,861	1/1958	Lamb	D19/45
D. 202,395	9/1965	Lamb	D19/45
D. 237,705	11/1975	Anderson	D19/45
D. 261,901	11/1981	Coffman	D19/50
3,947,977	4/1976	Bishop	401/6
4,076,427	2/1978	Anderson	401/6

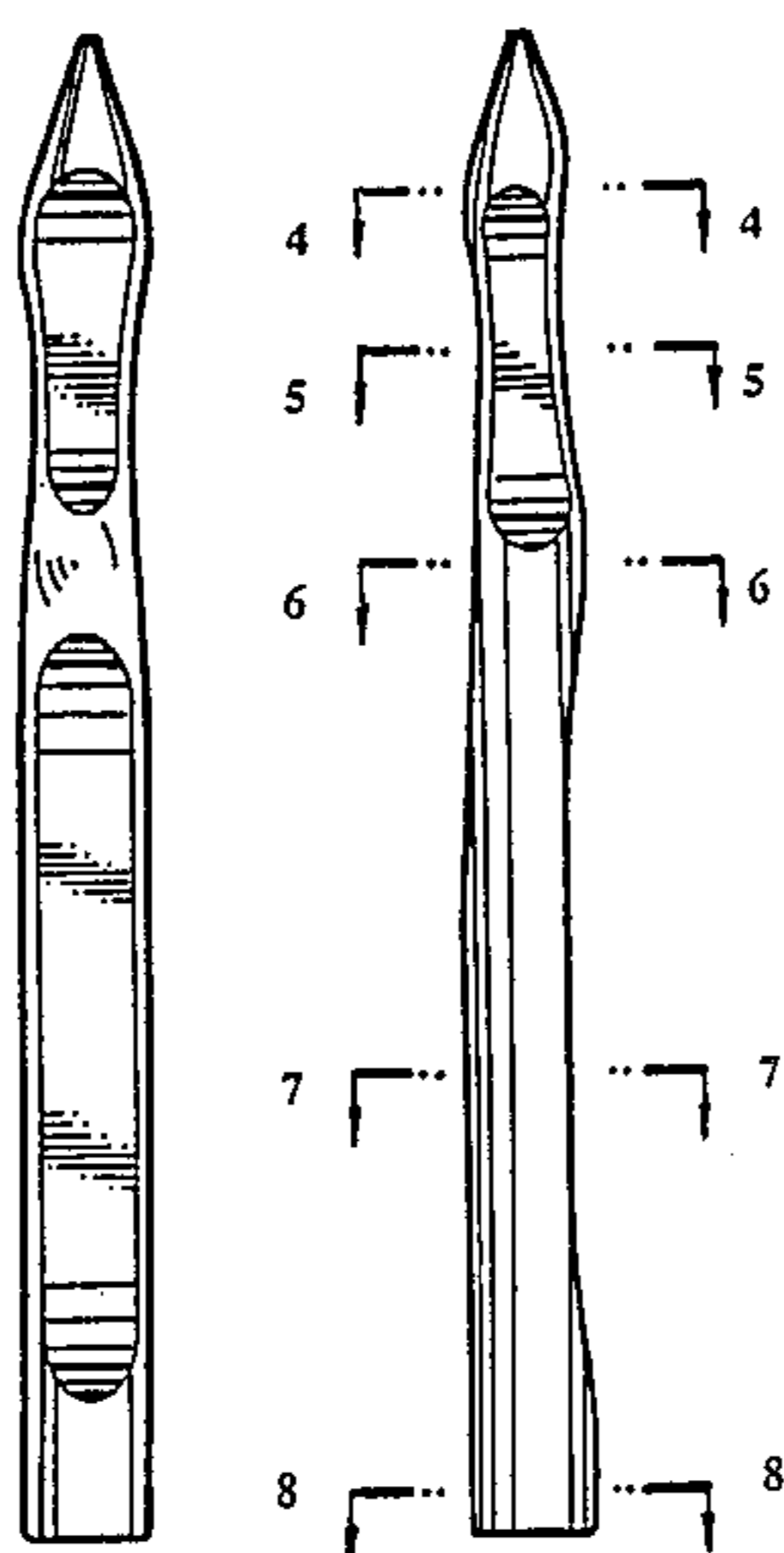
Primary Examiner—Bruce W. Dunkins
Assistant Examiner—Martha Thompson
Attorney, Agent, or Firm—Pollock, Vande Sande & Priddy

[57] CLAIM

The ornamental design for a shaft for a writing implement, as shown and described.

DESCRIPTION

FIG. 1 is a front elevational view of a shaft for a writing implement showing my new design;
FIG. 2 is a side elevational view thereof;
FIG. 3 is an enlarged scale top plan view;
FIG. 4 is an enlarged scale cross-sectional view taken along lines 4—4 of FIG. 1;
FIG. 5 is an enlarged scale cross-sectional view taken along lines 5—5 of FIG. 1;
FIG. 6 is an enlarged scale cross-sectional view taken along lines 6—6 of FIG. 1;
FIG. 7 is an enlarged scale cross-sectional view taken along lines 7—7 of FIG. 1;
FIG. 8 is an enlarged scale cross-sectional view taken along lines 8—8 of FIG. 1;
FIG. 9 is an enlarged scale bottom plan view thereof.



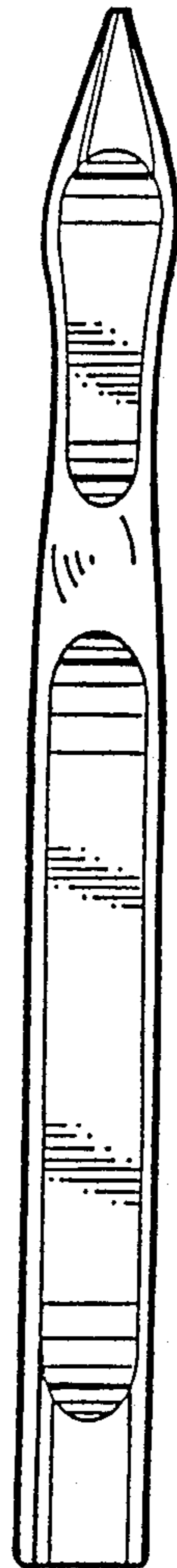
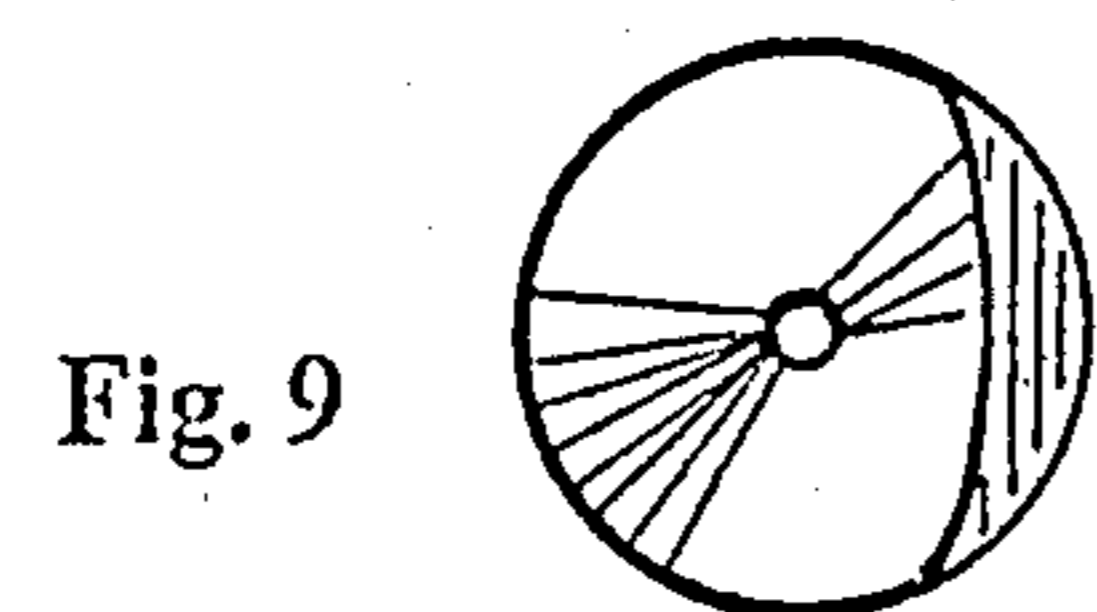
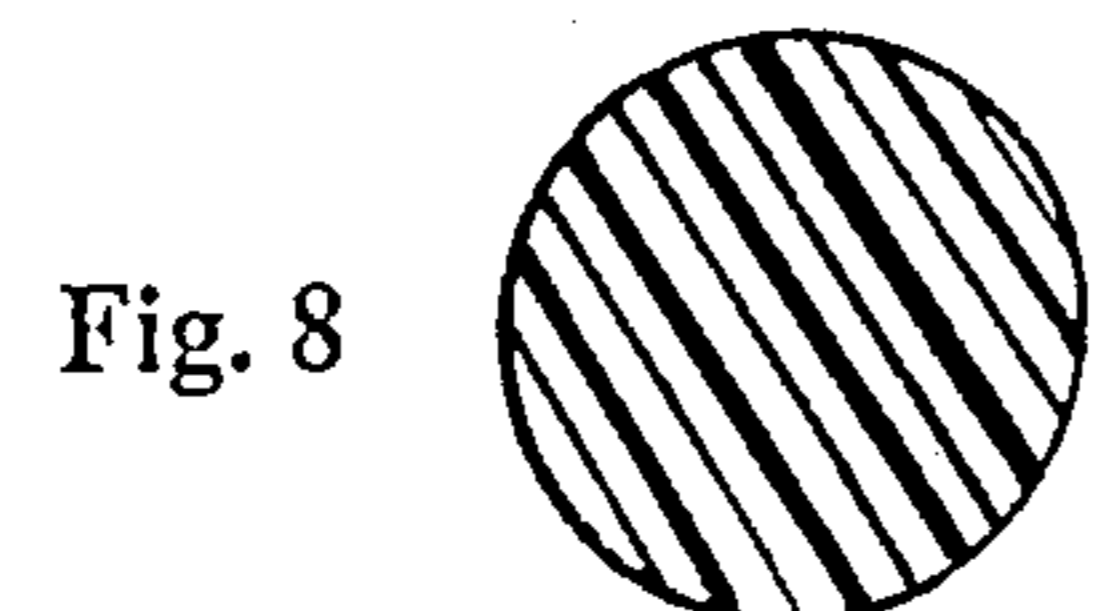
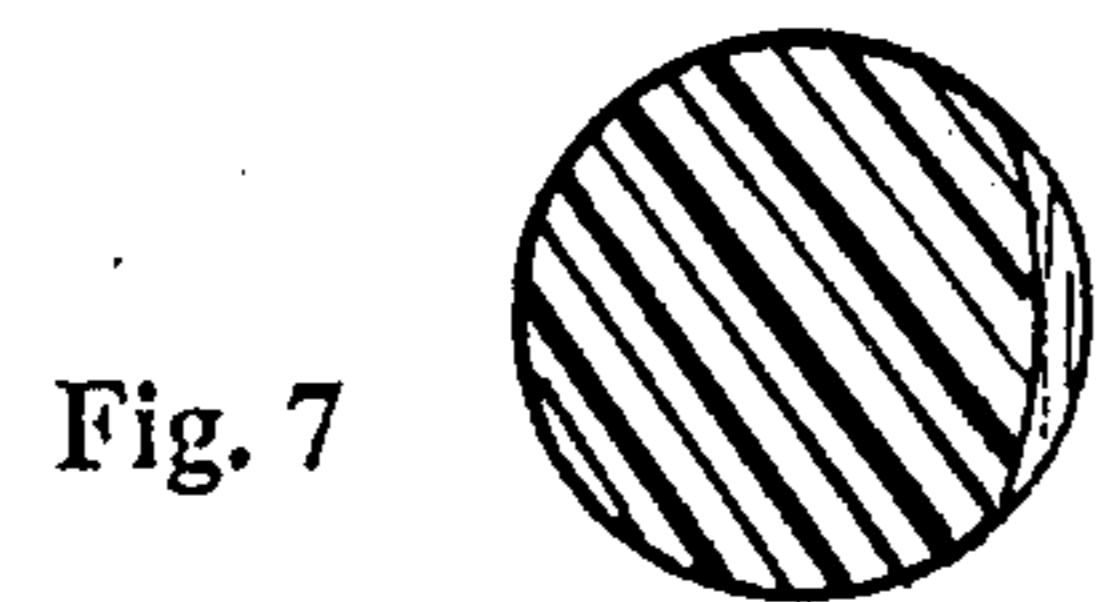
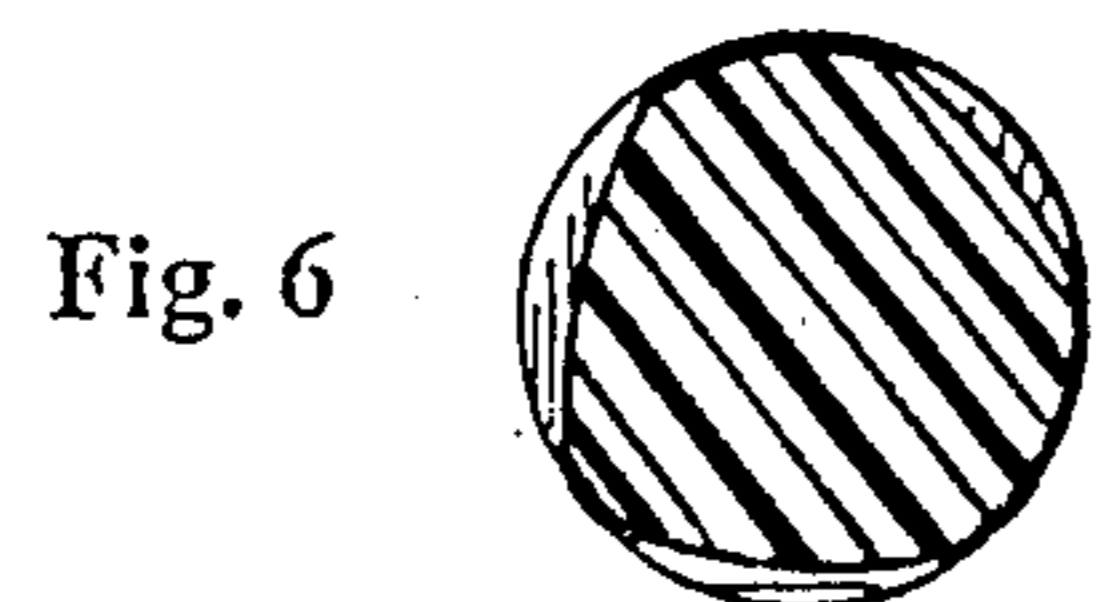
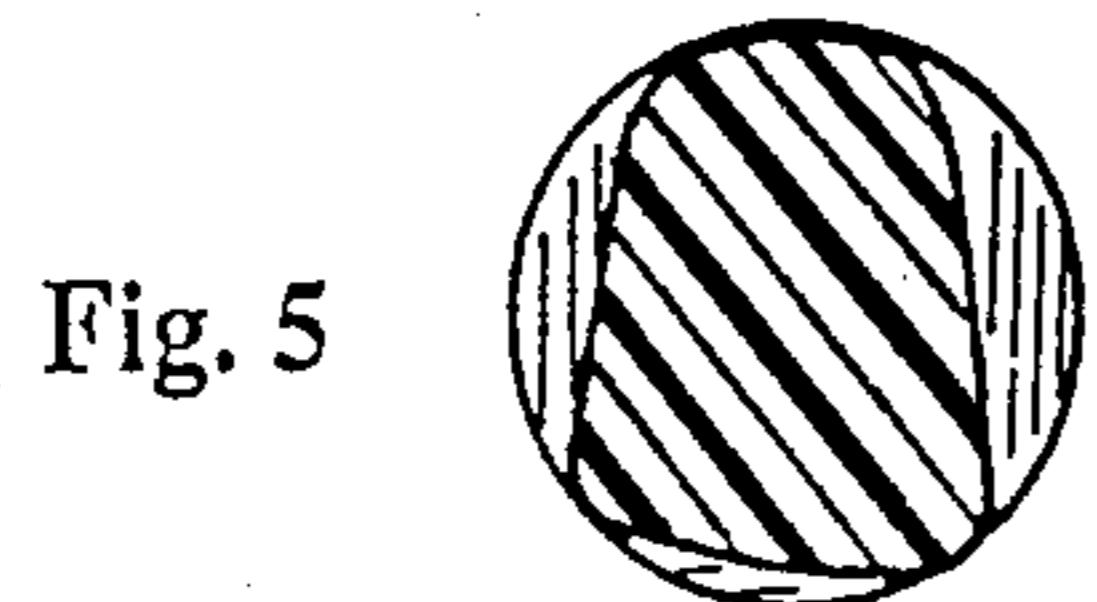
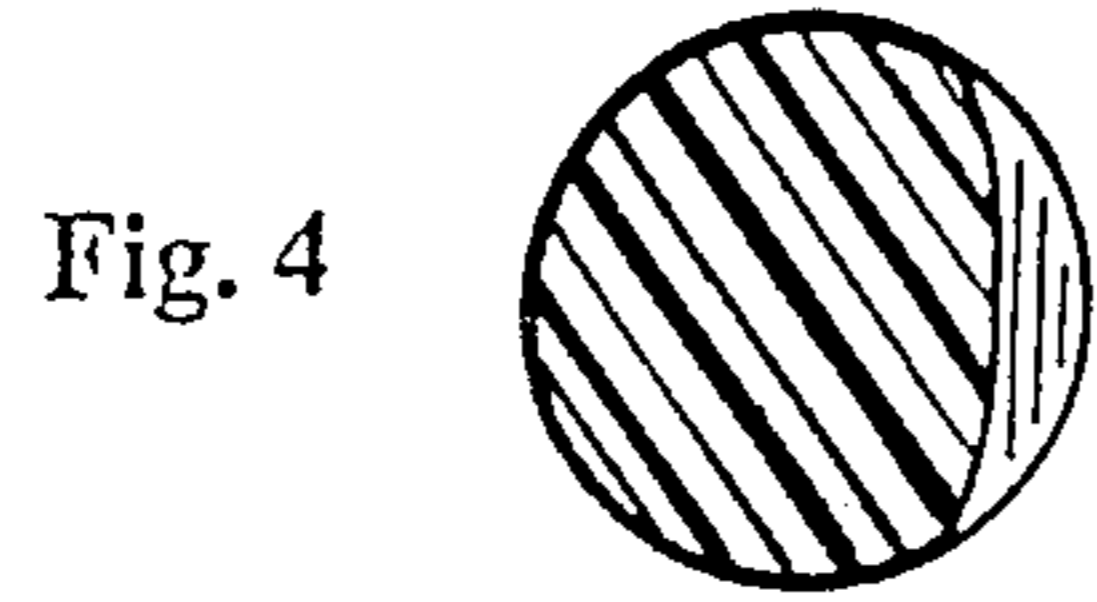
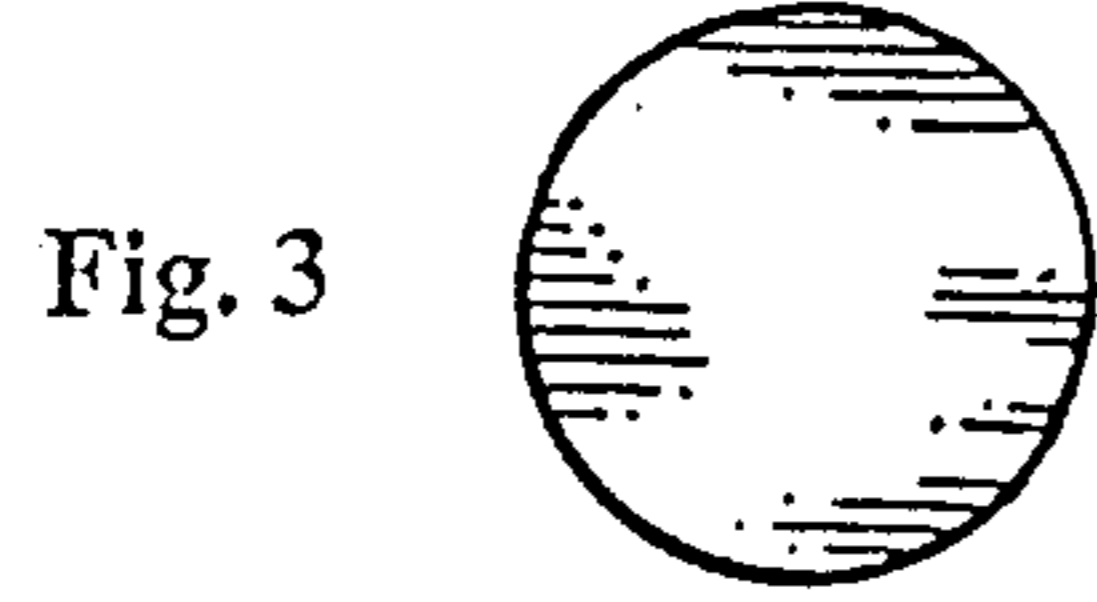


Fig. 2

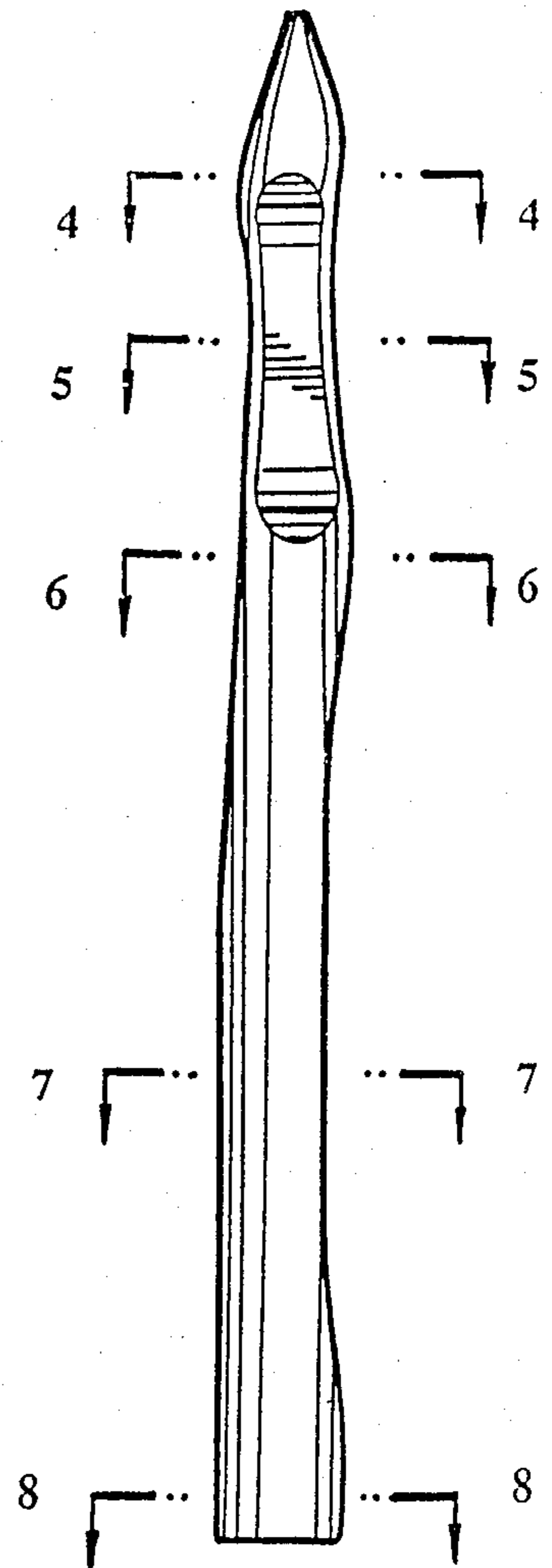


Fig. 1