

# United States Patent [19]

Moor

[11] Patent Number: **Des. 313,619**

[45] Date of Patent: **\*\* Jan. 8, 1991**

[54] **BINDER**

[75] Inventor: **Marc L. Moor, Dayton, Ohio**

[73] Assignee: **The Mead Corporation, Dayton, Ohio**

[\*\*] Term: **14 Years**

[21] Appl. No.: **252,970**

[22] Filed: **Sep. 22, 1988**

1,549,599	8/1925	Mragodanovitch .	
1,565,629	12/1925	Egerton .....	281/29
1,972,048	8/1934	Rennie .....	281/37
2,215,433	9/1940	Trussel .....	281/37
2,233,022	2/1941	Mathers .....	283/38
2,244,175	6/1941	Schade .....	281/29
2,732,842	1/1956	Loudon .....	D19/27 X
3,572,957	3/1971	Strassberg .....	402/75
3,877,729	4/1975	Friedman .....	283/42
3,938,831	2/1976	Herman .....	281/29
4,856,817	8/1989	Moor .....	281/29

### Related U.S. Application Data

[63] Continuation-in-part of Ser. No. 231,559, Aug. 12, 1988, Pat. No. 4,856,867.

[52] U.S. Cl. .... **D19/27**

[58] Field of Search ..... **D19/26, 27, 33, 20, D19/21, 23, 29, 30, 31, 32, 22, 25, 34, 86; D3/78; 206/464, 462, 424, 428, 215; 402/75, 3, 73, 70; 283/42, 36, 37, 38; 229/68 K, 75, 92.8, 115 R; 281/21.1, 31, 36, 35, 30, 29, 37**

[56] **References Cited**

### U.S. PATENT DOCUMENTS

529,614 11/1894 Frith ..... 281/29

*Primary Examiner*—Wallace R. Burke  
*Assistant Examiner*—Pamela J. Schmidt  
*Attorney, Agent, or Firm*—Biebel, French & Nauman

[57] **CLAIM**

The ornamental design for a binder, as shown.

### DESCRIPTION

FIG. 1 is a front perspective view of a binder showing my new design;  
FIG. 2 is a rear elevational view thereof;  
FIG. 3 is a left side elevational view thereof; and  
FIG. 4 is a bottom plan view thereof, the undisclosed top being a mirror image.

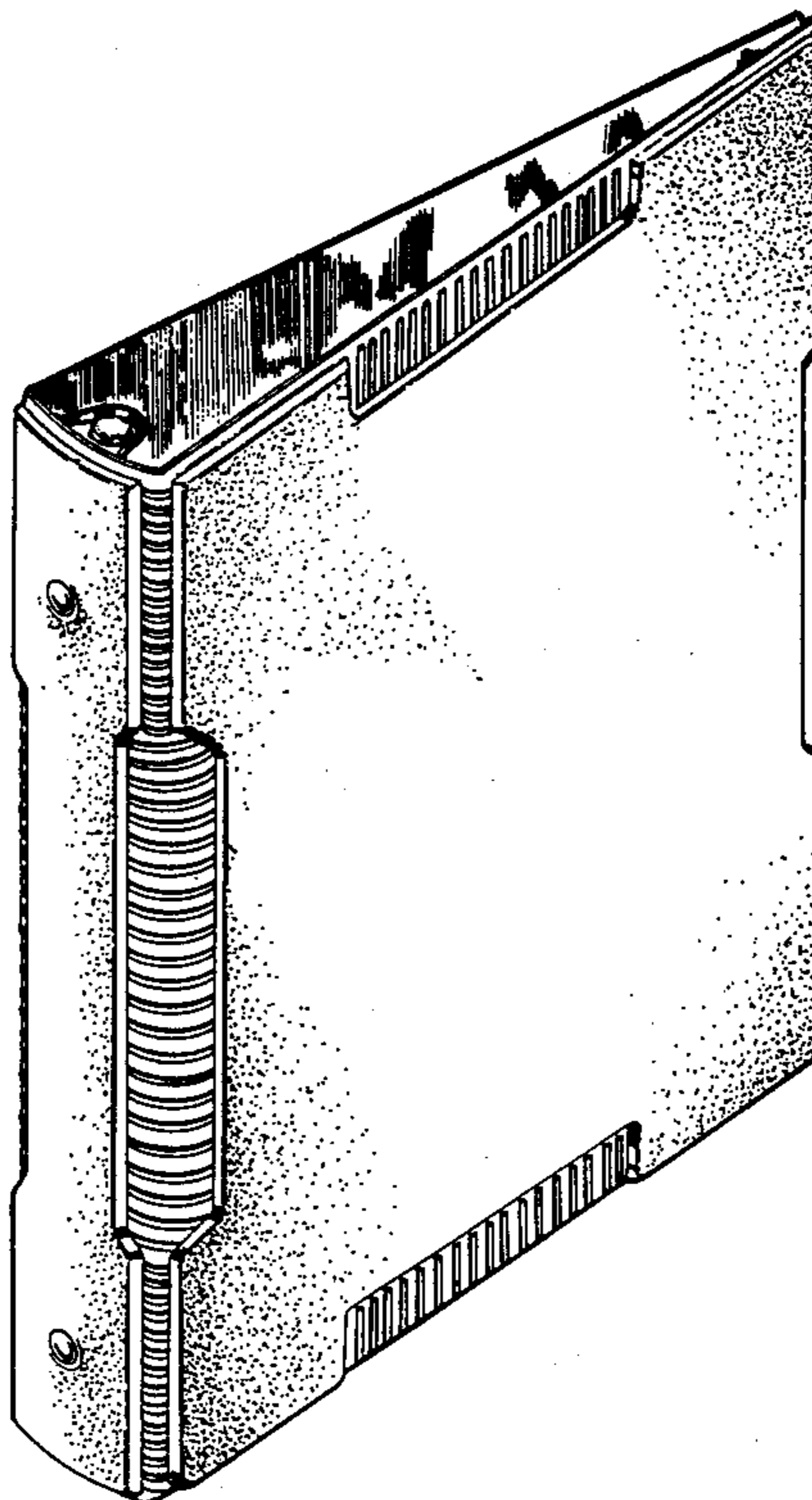


FIG-1

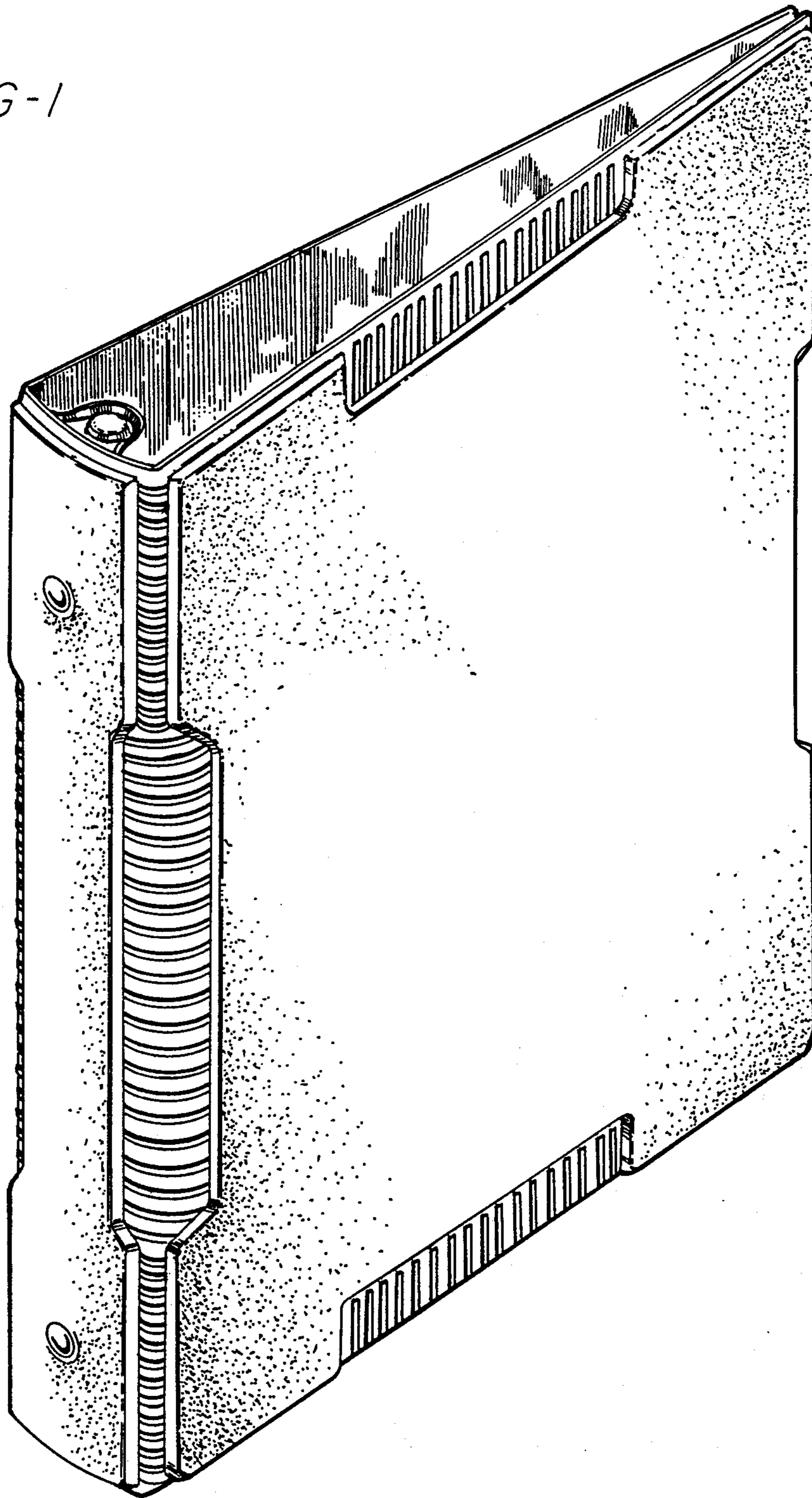


FIG-2

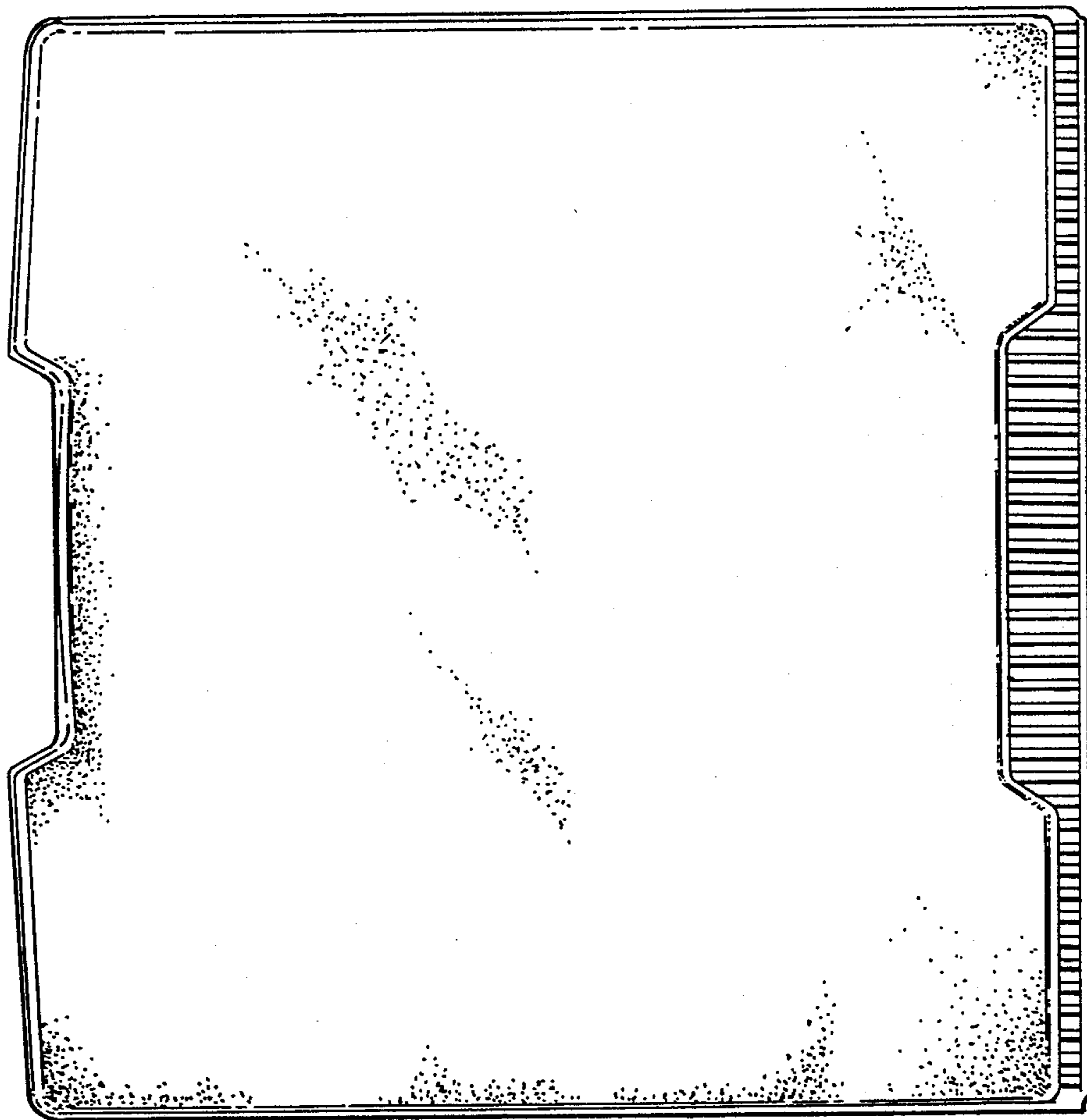


FIG-3

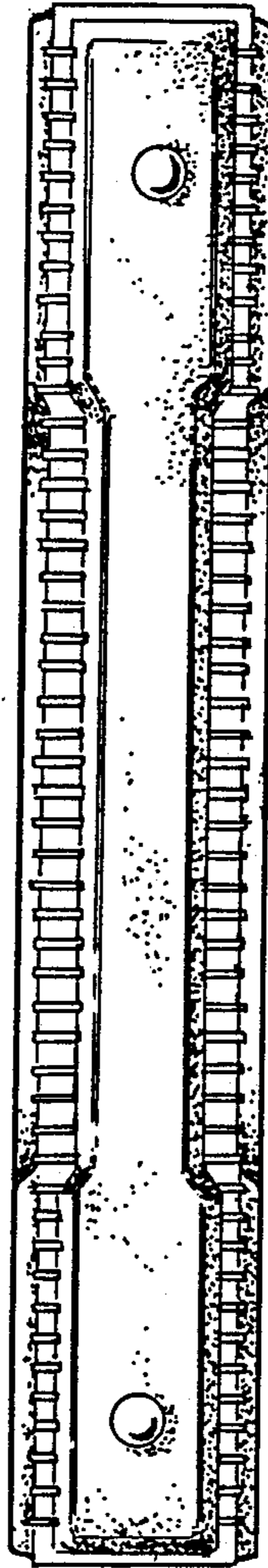


FIG-4

