

[54] COPYING MACHINE

[75] Inventors: **Mikio Kosako; Kanji Mizusugi**, both of Osaka, Japan

[73] Assignee: **Sharp Corporation**, Osaka, Japan

[**] Term: **14 Years**

[21] Appl. No.: **216,994**

[22] Filed: **Jul. 11, 1988**

[52] U.S. Cl. **D18/37; D18/36**

[58] Field of Search **D18/13, 36-40; D14/107, 111, 114; 355/200, 210, 233, 234**

[56] **References Cited**

U.S. PATENT DOCUMENTS

- D. 286,886 11/1986 **Kadota** D18/37
- D. 287,022 12/1986 **Kojima** D18/36
- D. 292,294 10/1987 **Nishibori et al.** D18/36

- D. 300,328 3/1989 **Umino** D18/37
- 4,764,788 8/1988 **Watashi et al.** 355/234 X

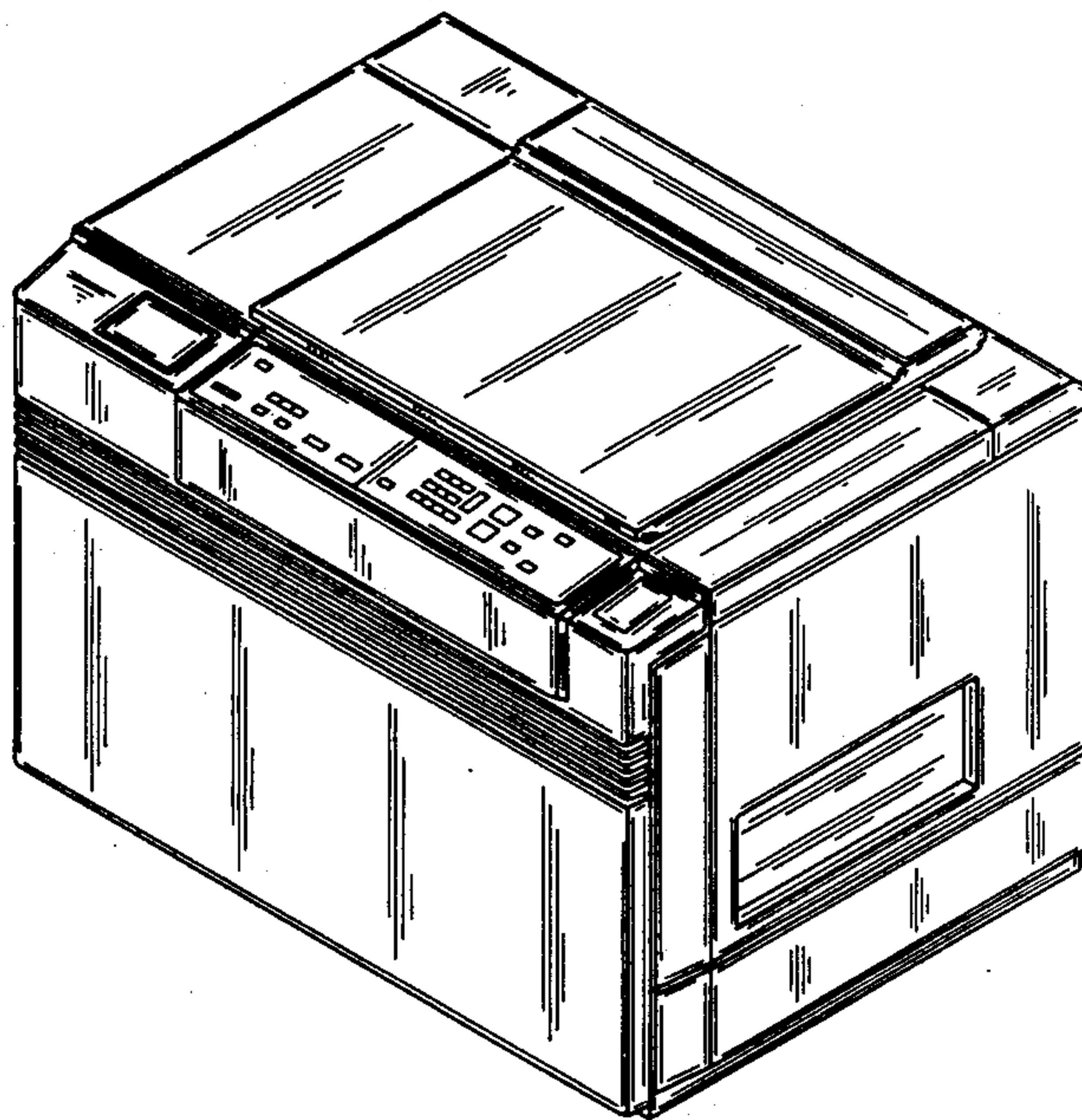
Primary Examiner—Nelson C. Holtje
Assistant Examiner—Caron D. Veynar
Attorney, Agent, or Firm—Flehr, Hohbach, Test, Albritton & Herbert

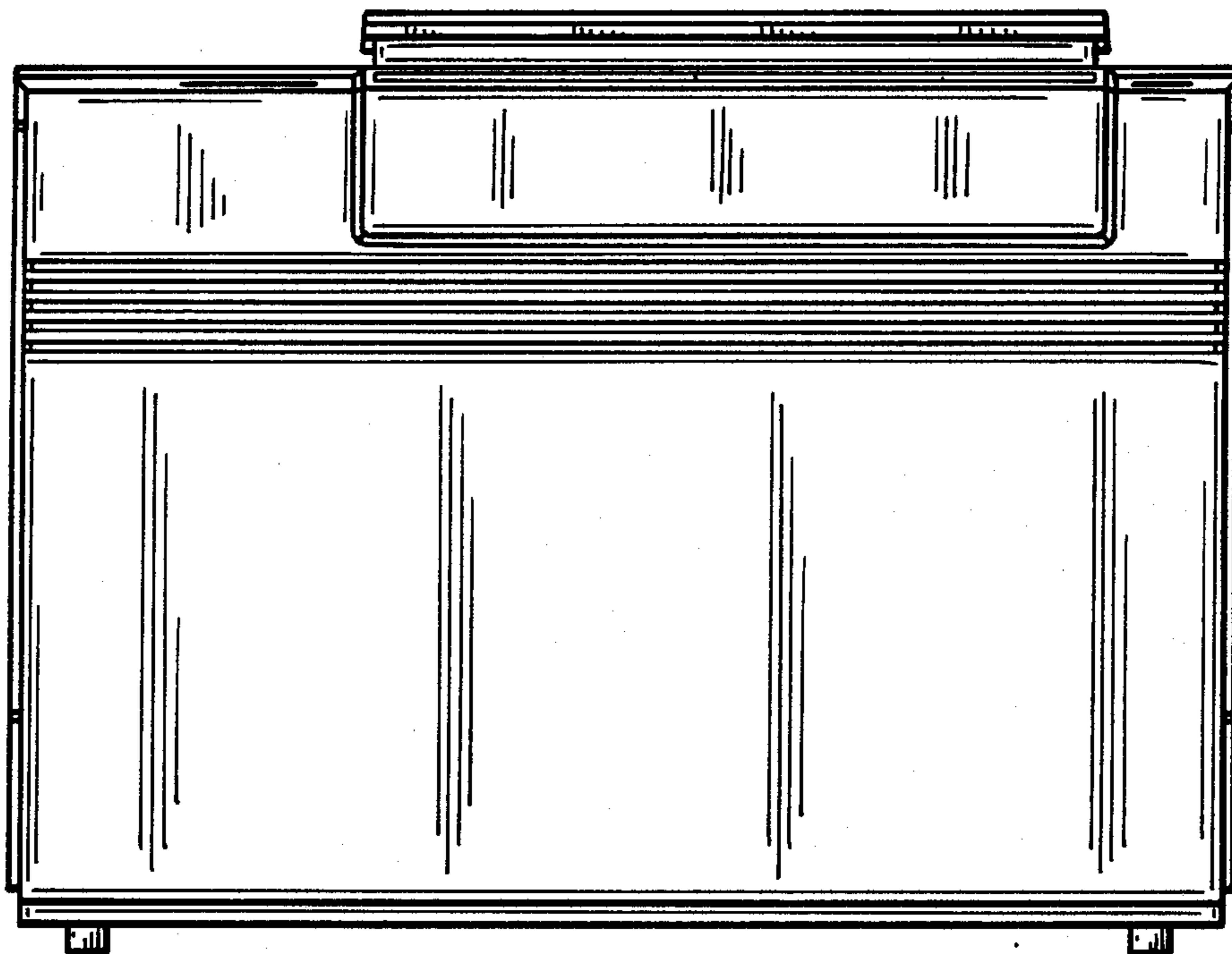
[57] **CLAIM**

The ornamental design for a copying machine, as shown and described.

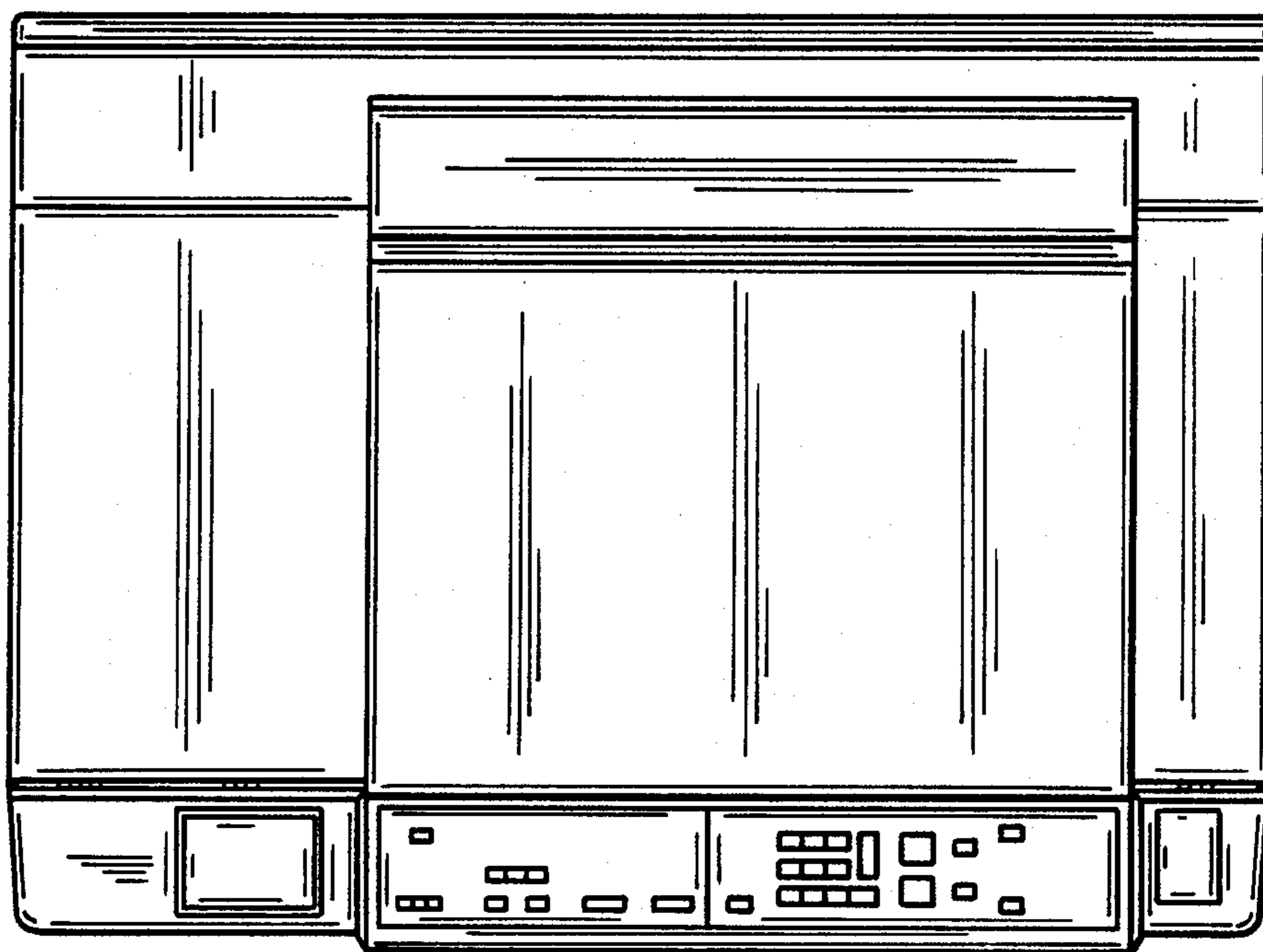
DESCRIPTION

FIG. 1 is a front elevational view of the copying machine showing our new design;
FIG. 2 is a rear elevational view thereof;
FIG. 3 is a top plan view thereof;
FIG. 4 is a bottom plan view thereof;
FIG. 5 is a right side elevational view thereof;
FIG. 6 is a left side elevational view thereof; and
FIG. 7 is a right, front perspective view thereof.

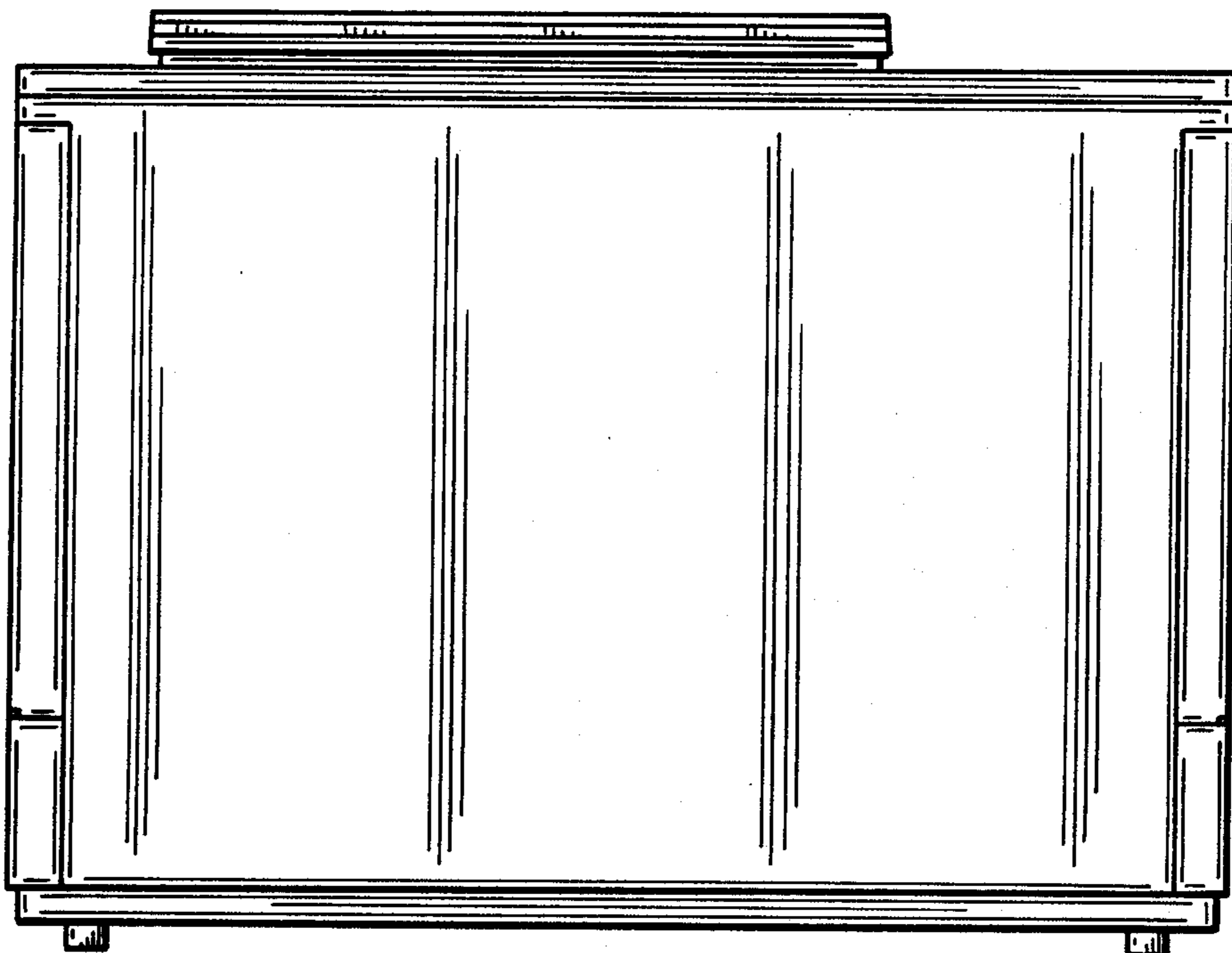




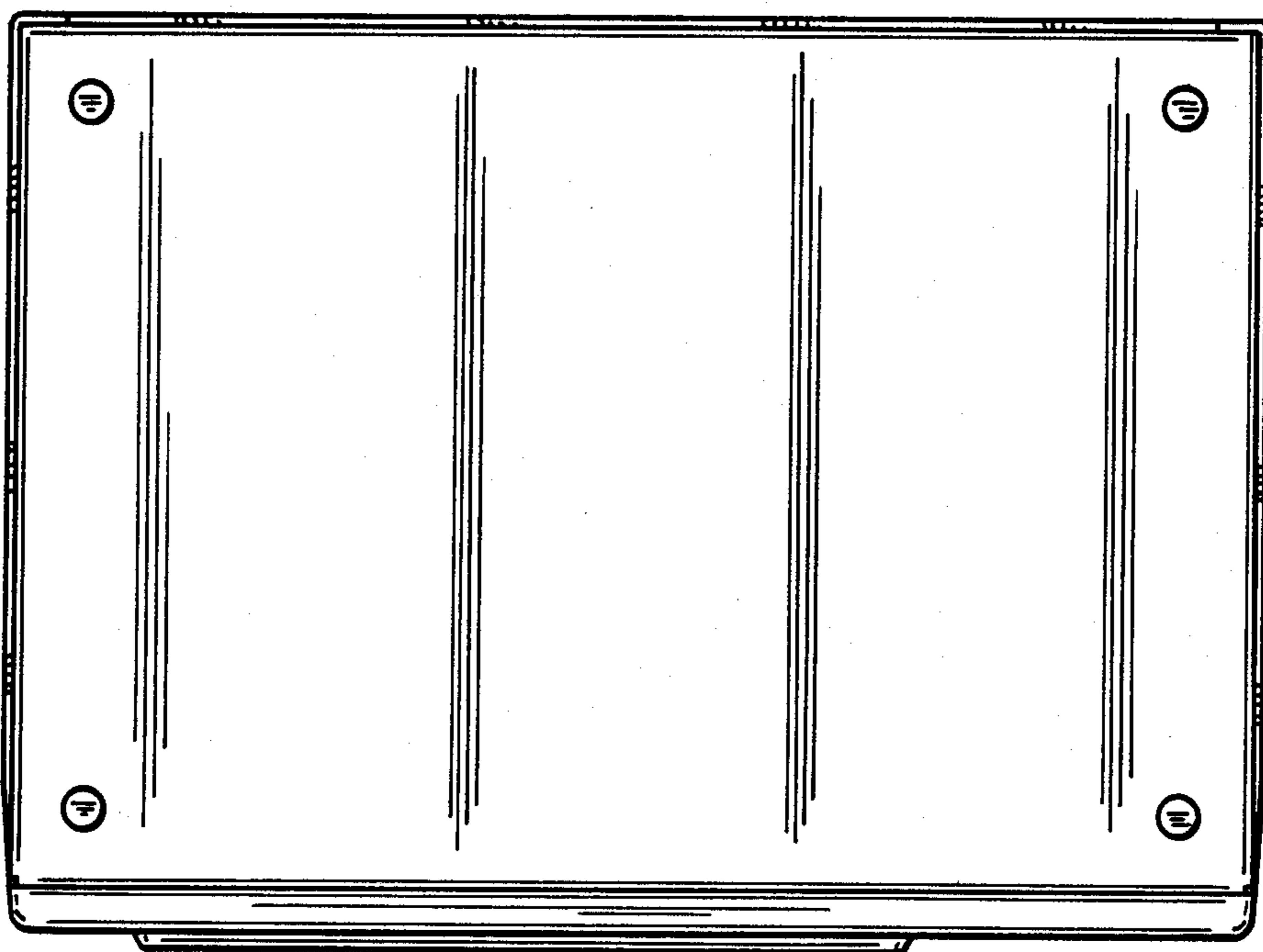
FIG_1



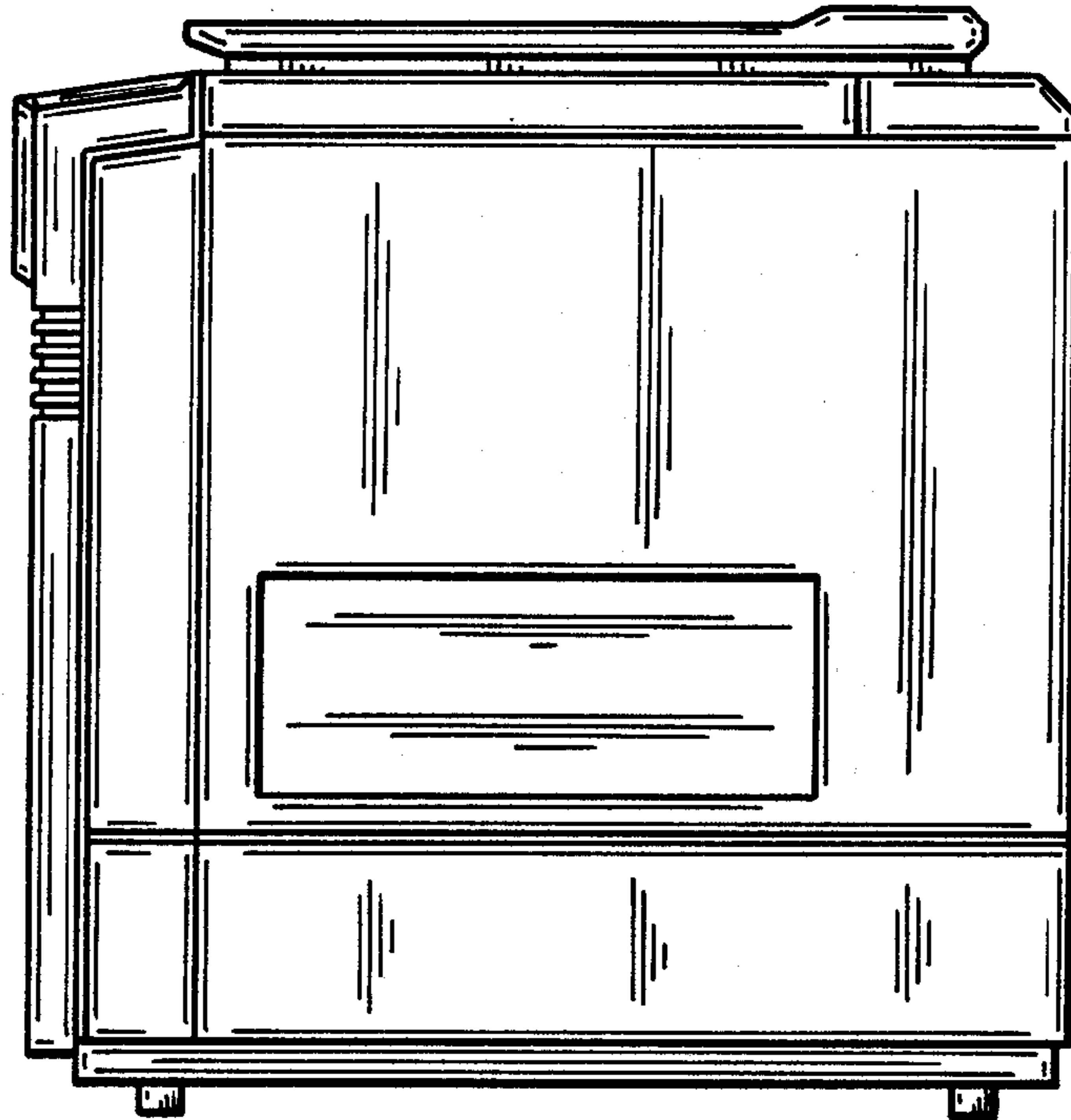
FIG_3



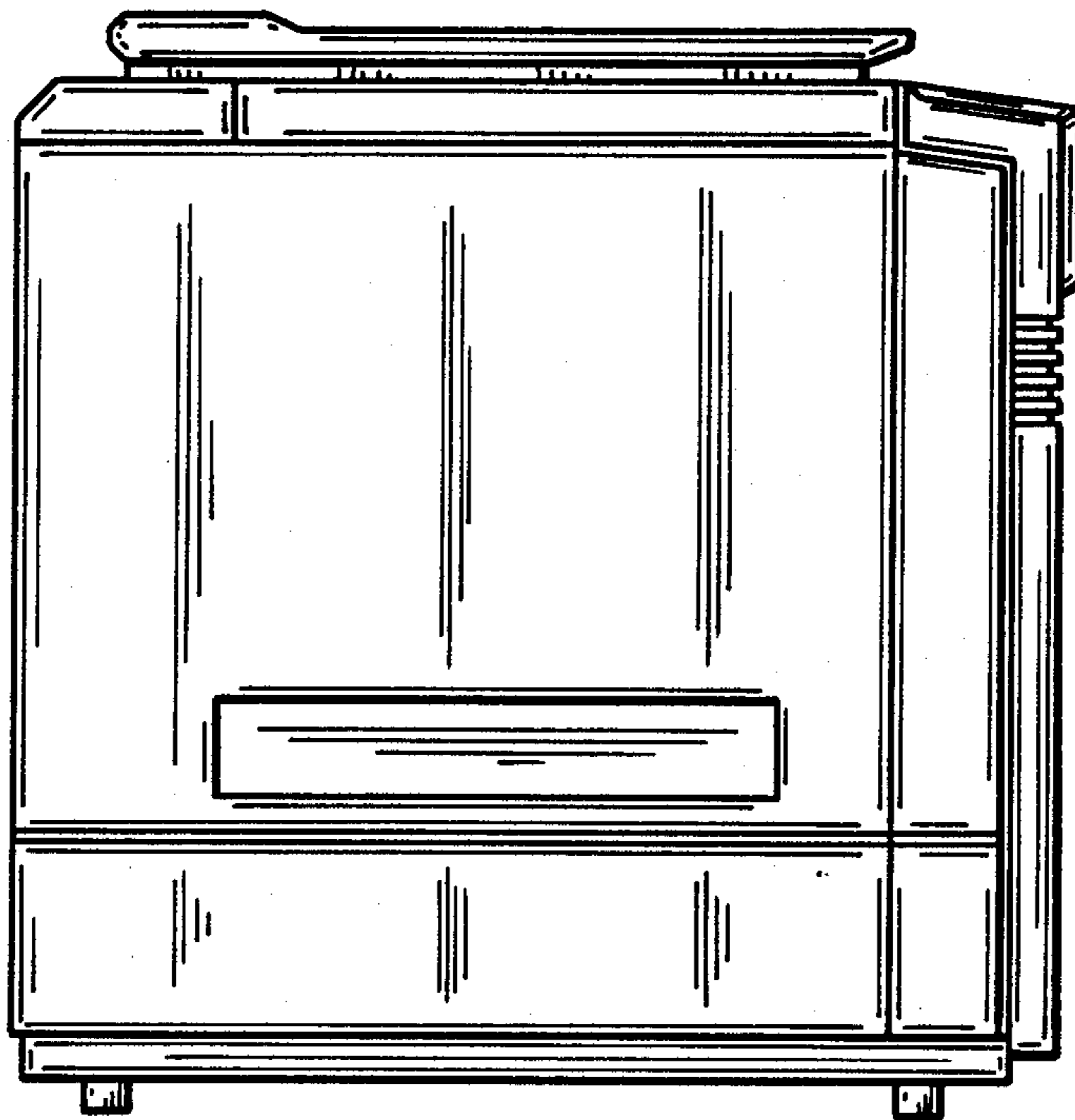
FIG_2



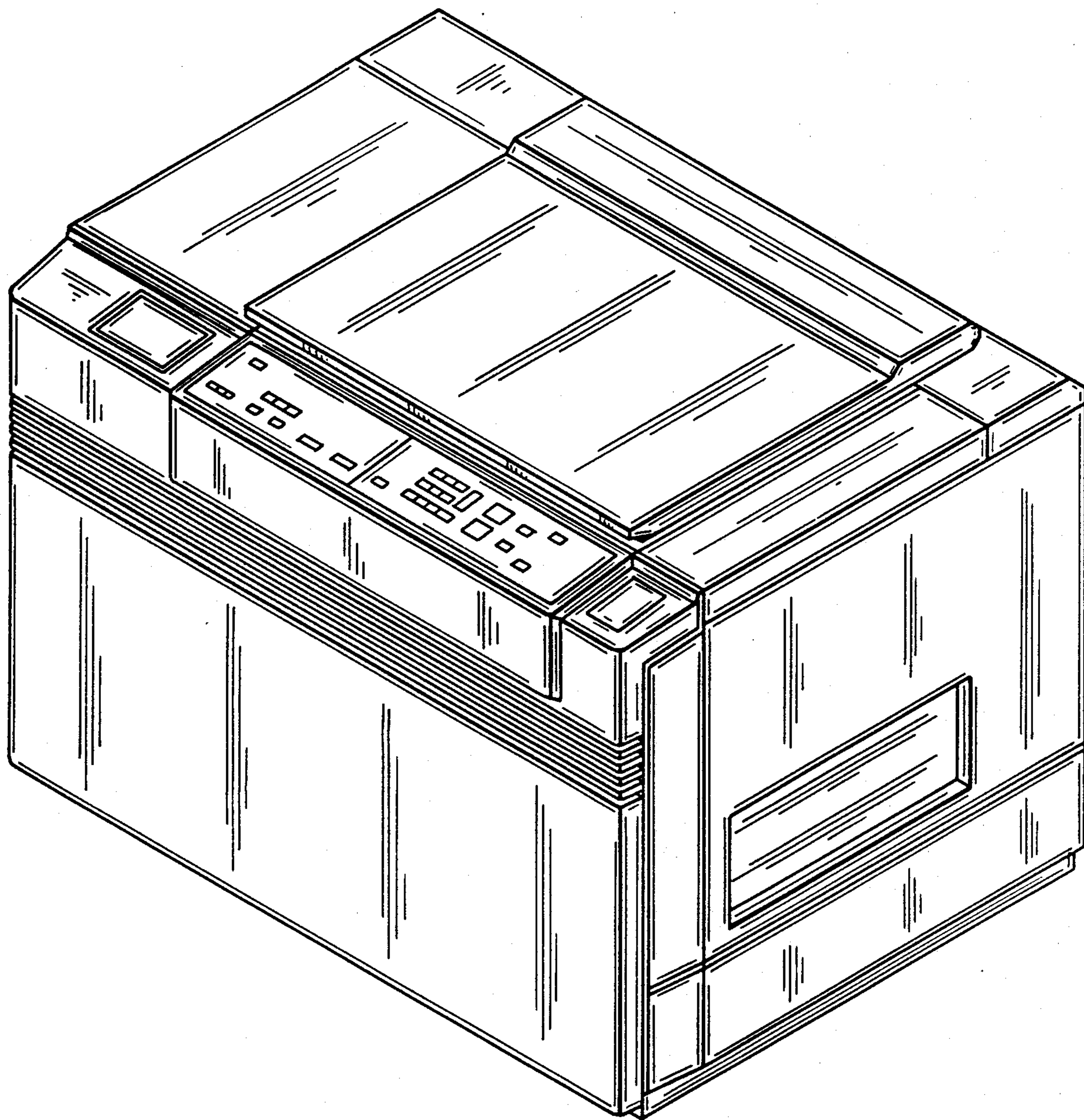
FIG_4



FIG_5



FIG_6



FIG_7