

[54] DEVELOPING UNIT FOR COPIERS

[75] Inventor: Hiroyuki Tokuda, Yokohama, Japan

[73] Assignee: Canon Kabushiki Kaisha, Tokyo, Japan

[*] Notice: The portion of the term of this patent subsequent to Jan. 8, 2005 has been disclaimed.

[**] Term: 14 Years

[21] Appl. No.: 296,761

[22] Filed: Jan. 13, 1989

[30] Foreign Application Priority Data

Jul. 13, 1988 [JP] Japan 63-28136

[52] U.S. Cl. D18/36; D18/43

[58] Field of Search D18/40, 43; 355/200, 355/245, 260

[56] References Cited

U.S. PATENT DOCUMENTS

- D. 238,658 2/1976 Stone D9/210
- D. 245,761 9/1977 Alseth et al. D9/224
- D. 276,916 12/1984 Masaki D18/36
- D. 277,289 1/1985 Sabin D18/43
- D. 286,297 10/1986 Clowe et al. D18/43
- D. 287,023 12/1986 Masaki D18/36
- D. 298,259 10/1988 Masaki D18/43
- D. 298,333 11/1988 Masaki et al. D18/43

- D. 298,334 11/1988 Masaki et al. D18/43
- D. 298,335 11/1988 Masaki et al. D18/40
- D. 298,336 11/1988 Masaki D18/43
- D. 303,541 9/1989 Aoyama D18/36
- D. 303,542 9/1989 Tashiro D18/36
- D. 303,543 9/1989 Seki D18/36
- 4,849,791 7/1989 Hagihara et al. 355/298

FOREIGN PATENT DOCUMENTS

- 0029277 2/1984 Japan 355/260
- 59-061845 4/1984 Japan .
- 62-044774 2/1987 Japan .
- 0044780 2/1987 Japan 355/260

Primary Examiner—Nelson C. Holtje
Assistant Examiner—Caron D. Veynar
Attorney, Agent, or Firm—Fitzpatrick, Cella, Harper & Scinto

[57] CLAIM

The ornamental design for developing unit for copiers, as shown and described.

DESCRIPTION

FIG. 1 is a front elevational view of developing unit for copies showing my new design;
FIG. 2 is a rear elevational view thereof;
FIG. 3 is a top plan view thereof;
FIG. 4 is a bottom plan view thereof;
FIG. 5 is a left side elevational view thereof;
FIG. 6 is a right side elevational view thereof; and
FIG. 7 is a perspective view thereof.

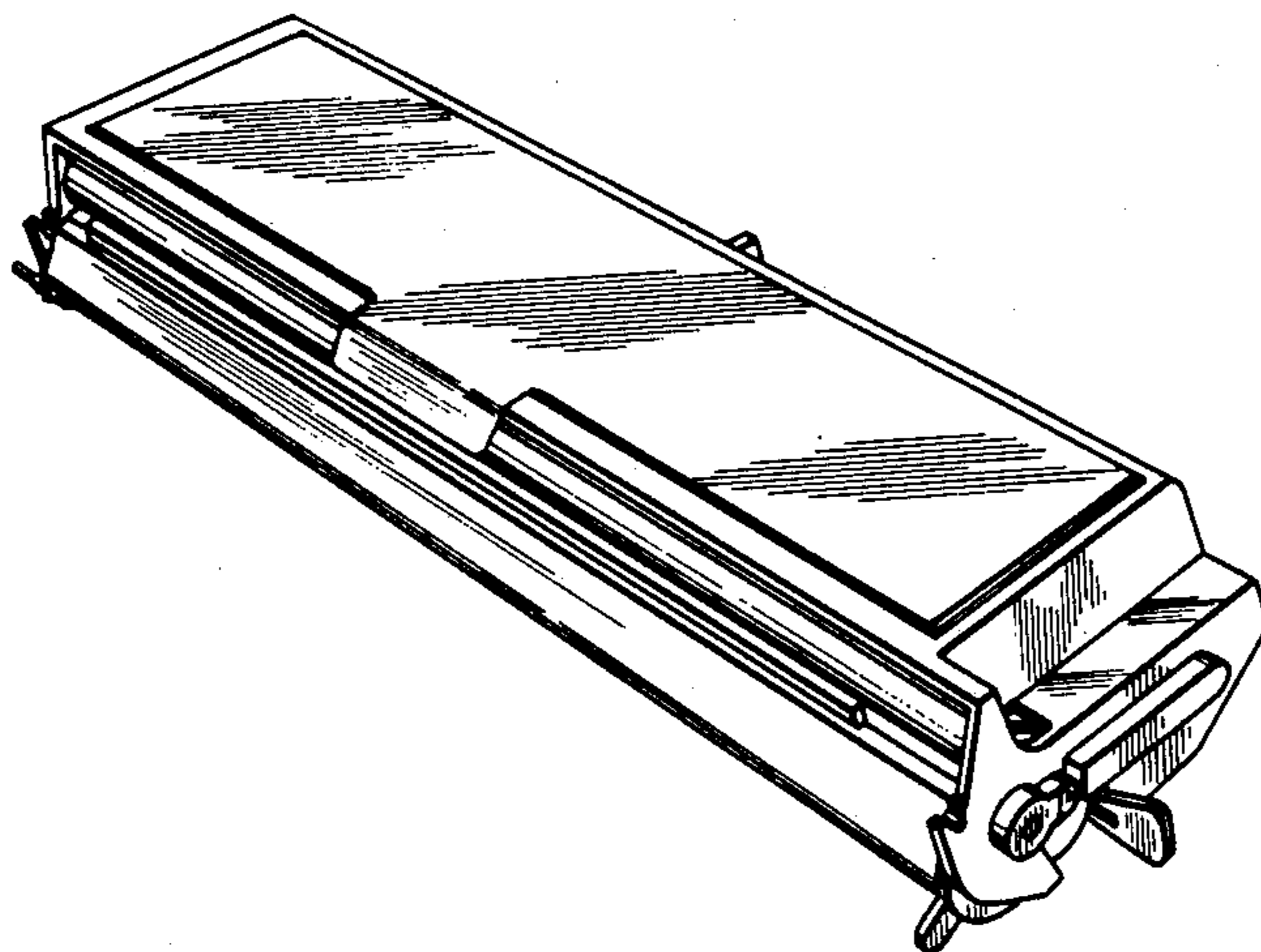


FIG. 1

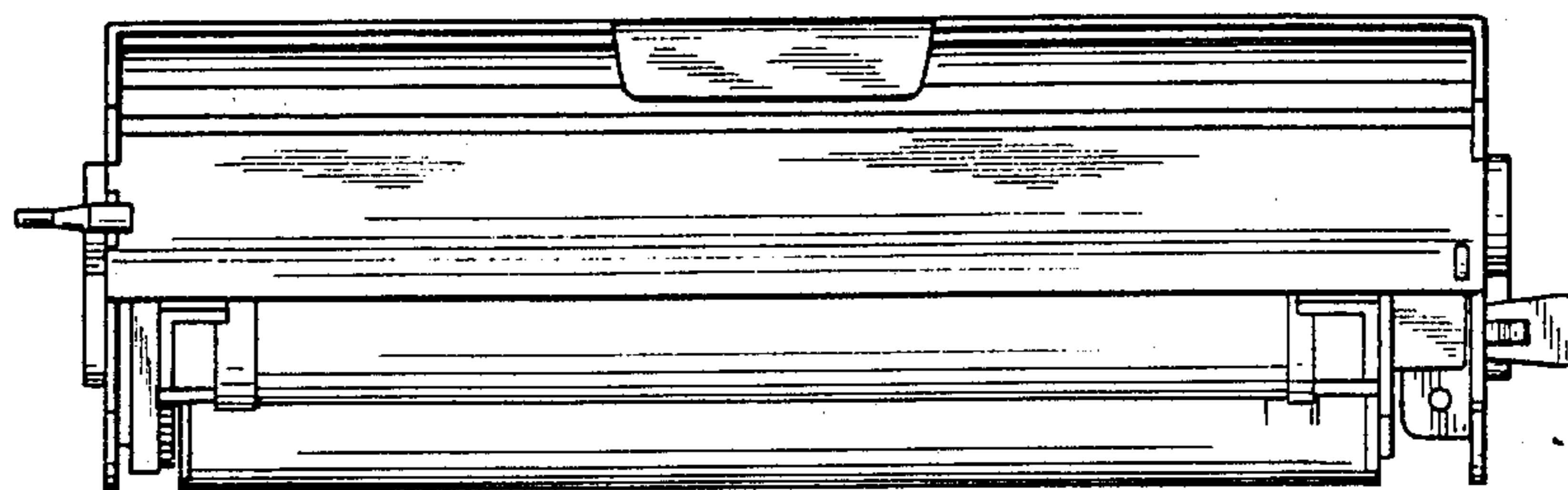


FIG. 2

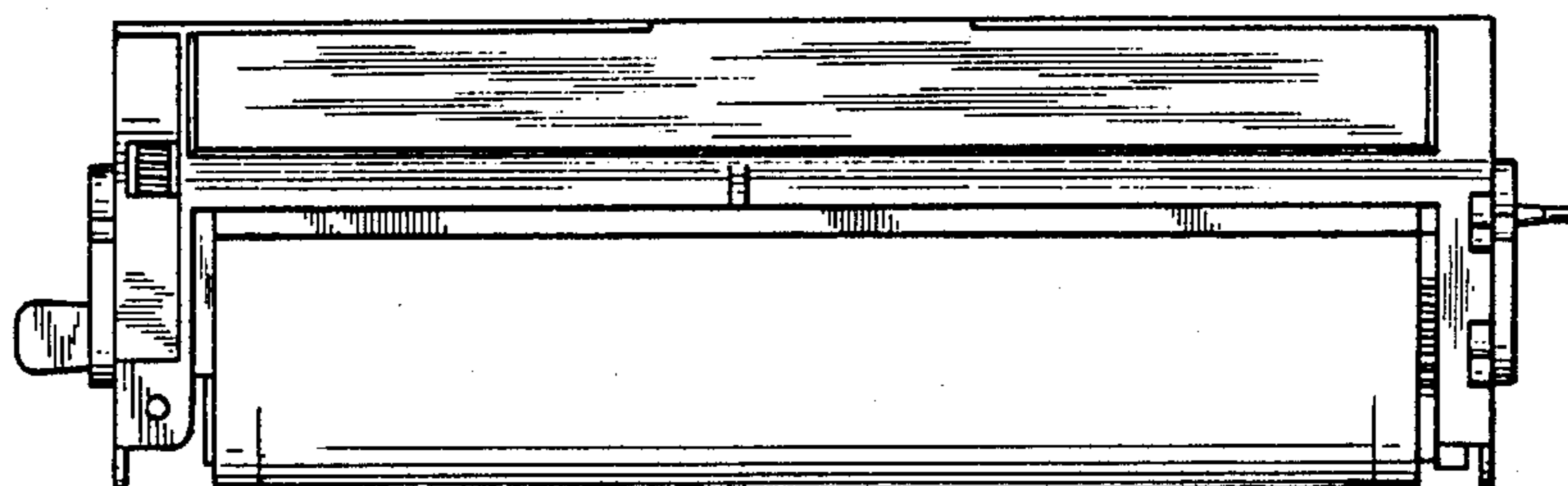


FIG. 3

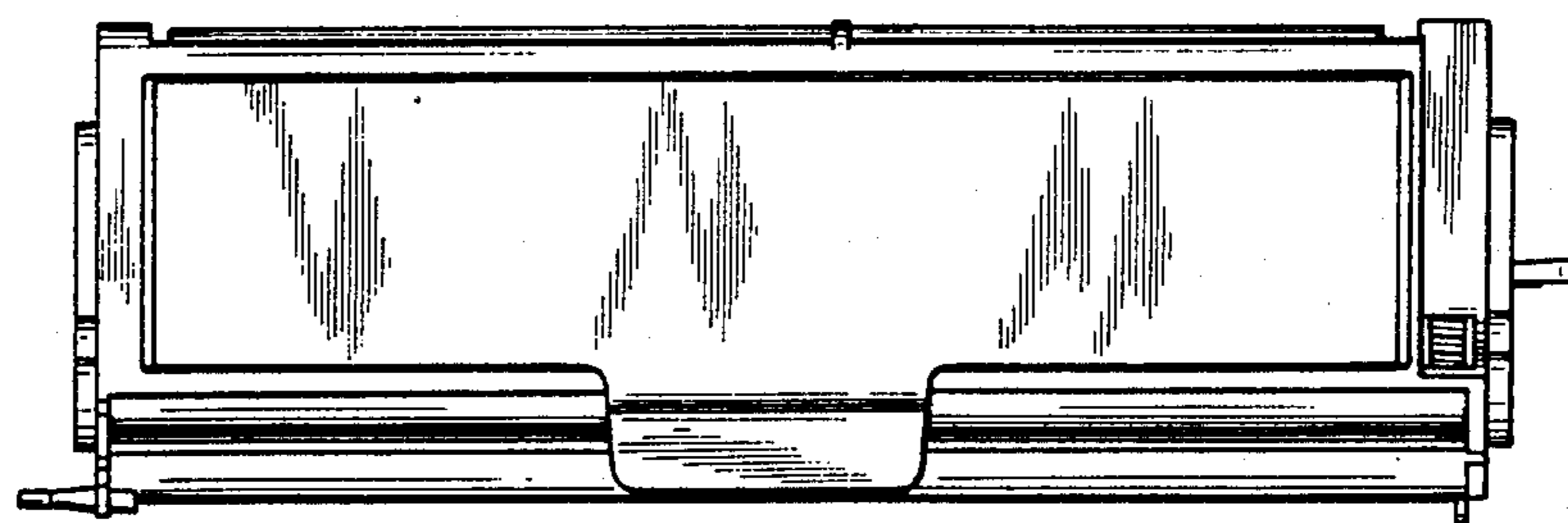


FIG. 4

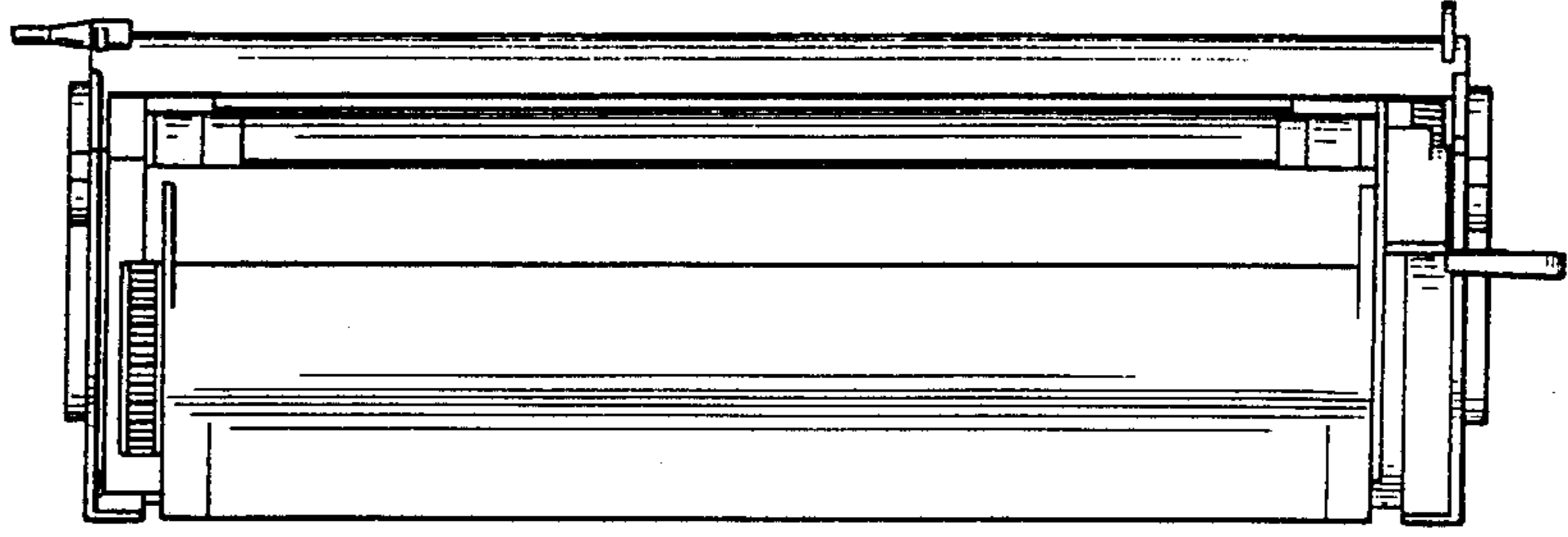


FIG. 5

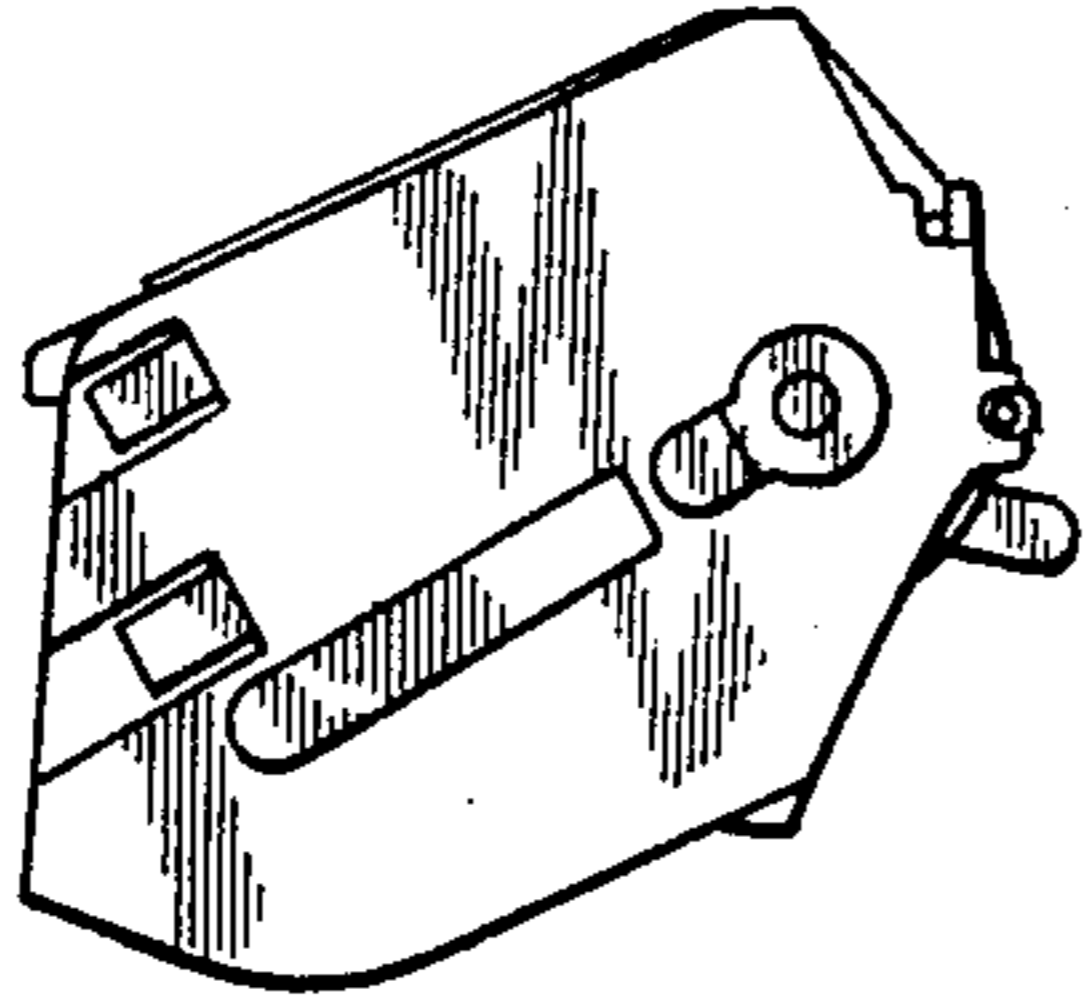


FIG. 6

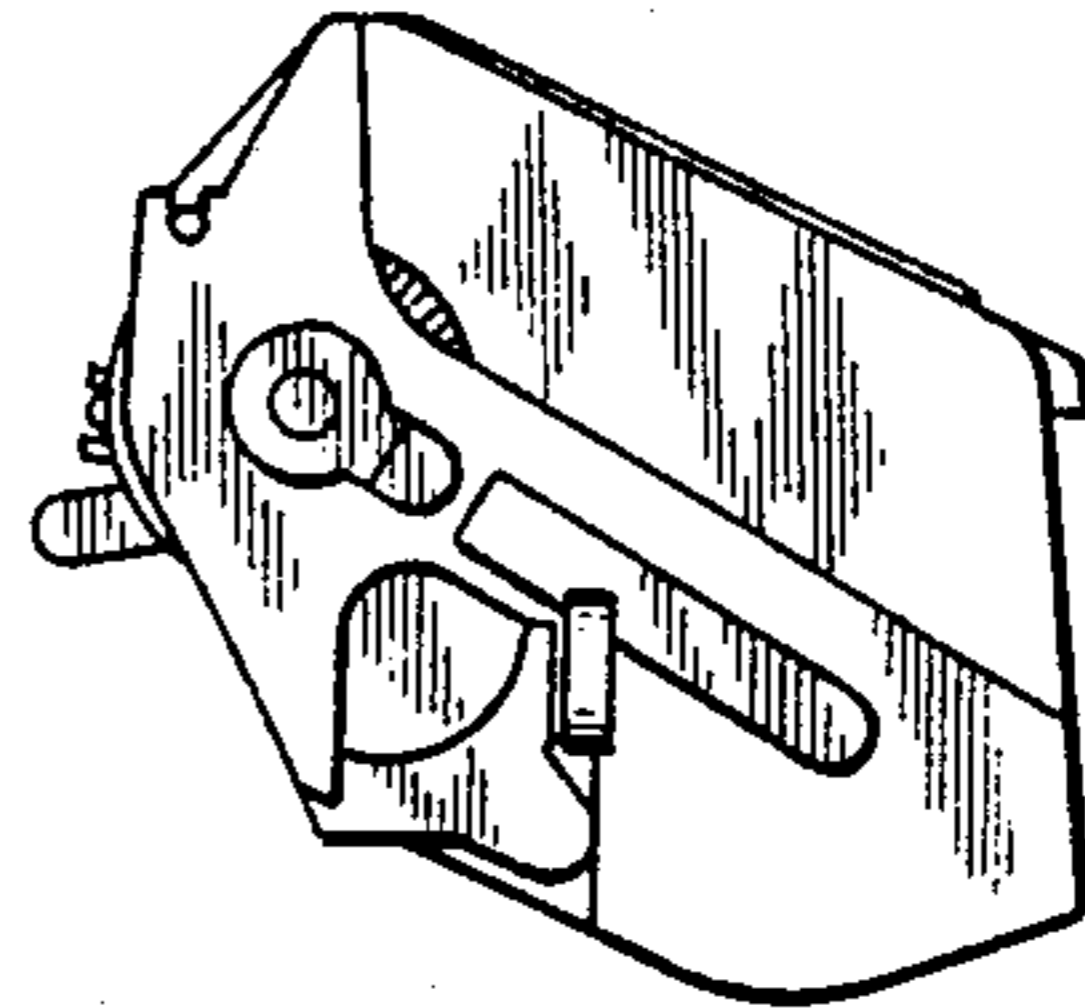
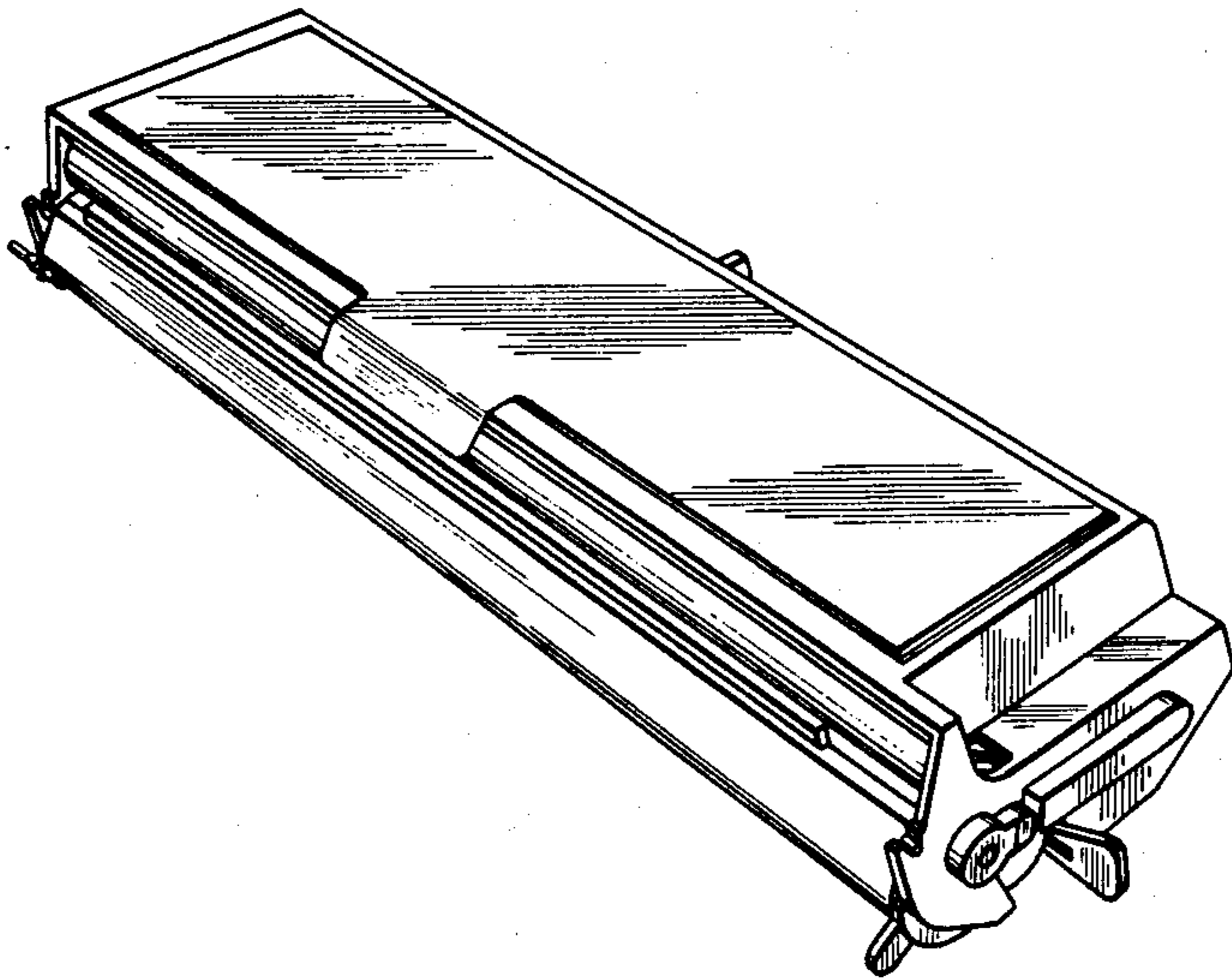


FIG. 7



UNITED STATES PATENT AND TRADEMARK OFFICE
CERTIFICATE OF CORRECTION

PATENT NO. : Des. 313,616
DATED : January 8, 1991
INVENTOR(S) : HIROYUKI TOKUDA

It is certified that error appears in the above-identified patent and that said Letters Patent is hereby corrected as shown below:
ON THE TITLE PAGE,
COLUMN 2, under DESCRIPTION

In the Description of FIG. 1,
"copies" should read --copiers--.

**Signed and Sealed this
Fourteenth Day of July, 1992**

Attest:

DOUGLAS B. COMER

Attesting Officer

Acting Commissioner of Patents and Trademarks