

[54] DEVELOPING UNIT FOR COPIERS

[75] Inventor: Hiroyuki Tokuda, Yokohama, Japan

[73] Assignee: Canon Kabushiki Kaisha, Tokyo, Japan

[\*] Notice: The portion of the term of this patent subsequent to Jan. 8, 2005 has been disclaimed.

[\*\*] Term: 14 Years

[21] Appl. No.: 296,760

[22] Filed: Jan. 13, 1989

[30] Foreign Application Priority Data

Jul. 13, 1988 [JP] Japan ..... 63-28137

[52] U.S. Cl. .... D18/36; D18/43

[58] Field of Search ..... D18/40, 43; 355/200, 355/245, 260

[56] References Cited

U.S. PATENT DOCUMENTS

- D. 238,658 2/1976 Stone ..... D9/210
- D. 245,761 9/1977 Alseth et al. .... D9/224
- D. 276,916 12/1984 Masaki ..... D18/36
- D. 277,289 1/1985 Sabin ..... D18/43
- D. 286,297 10/1986 Clowe et al. .... D18/43
- D. 287,023 12/1986 Masaki ..... D18/36
- D. 298,259 10/1988 Masaki ..... D18/43
- D. 298,333 11/1988 Masaki et al. .... D18/43

- D. 298,334 11/1988 Masaki et al. .... D18/43
- D. 298,335 11/1988 Masaki et al. .... D18/40
- D. 298,336 11/1988 Masaki ..... D18/43
- D. 303,541 9/1989 Aoyama ..... D18/36
- D. 303,542 9/1989 Tashiro ..... D18/36
- D. 303,543 9/1989 Seki ..... D18/36
- 4,849,791 7/1989 Hagihara et al. .... 355/298

FOREIGN PATENT DOCUMENTS

- 0029277 2/1984 Japan ..... 355/260
- 59-061845 4/1984 Japan .
- 62-044774 2/1987 Japan .
- 0044780 2/1987 Japan ..... 355/260

Primary Examiner—Nelson C. Holtje  
Assistant Examiner—Caron D. Veynar  
Attorney, Agent, or Firm—Fitzpatrick, Cella, Harper & Scinto

[57] CLAIM

The ornamental design for developing unit for copiers, as shown and described.

DESCRIPTION

FIG. 1 is a front elevational view of developing unit for copiers showing my new design;  
FIG. 2 is a rear elevational view thereof;  
FIG. 3 is a top plan view thereof;  
FIG. 4 is a bottom plan view thereof;  
FIG. 5 is a left side elevational view thereof;  
FIG. 6 is a right side elevational view thereof; and  
FIG. 7 is a perspective view thereof.

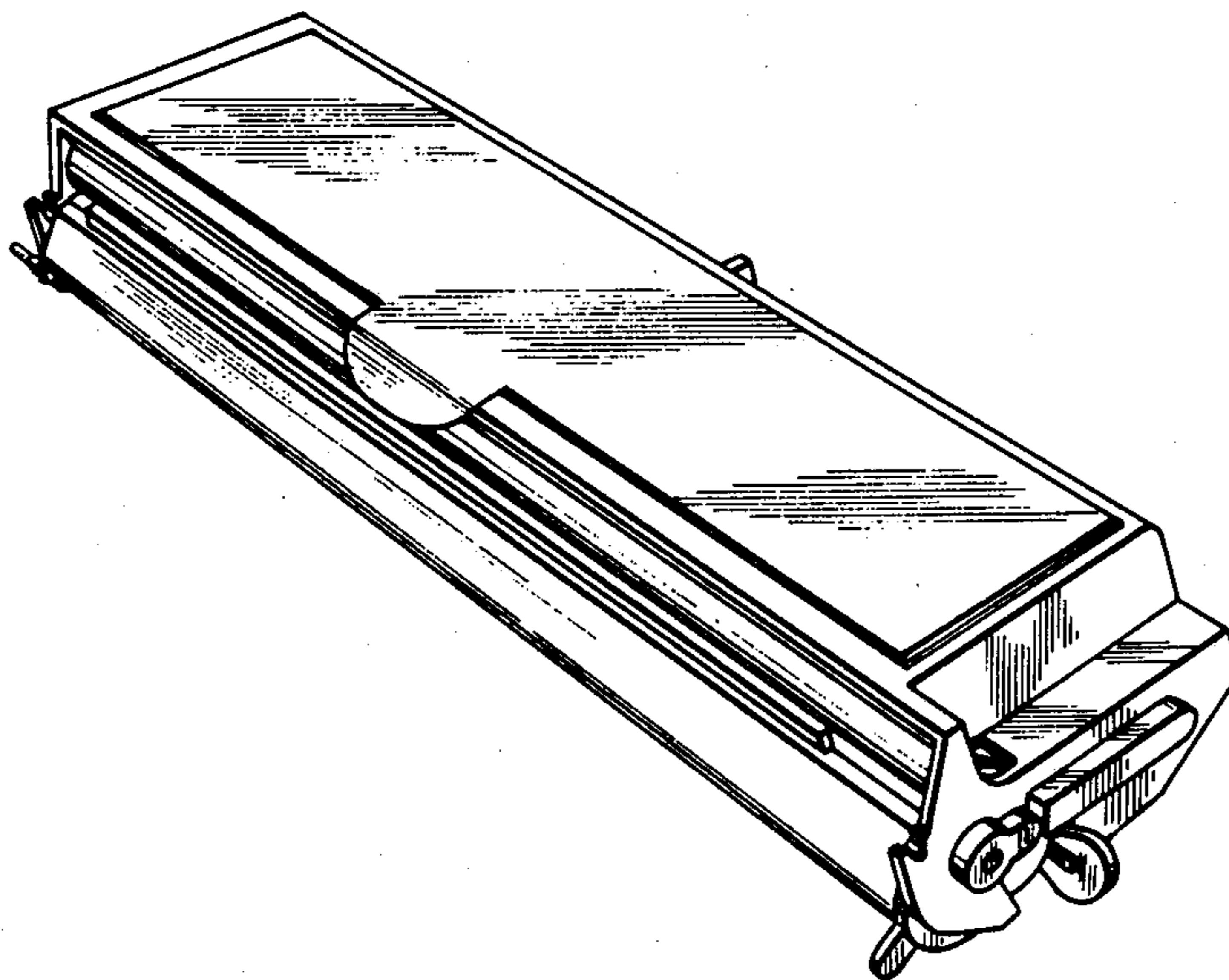


FIG. 1

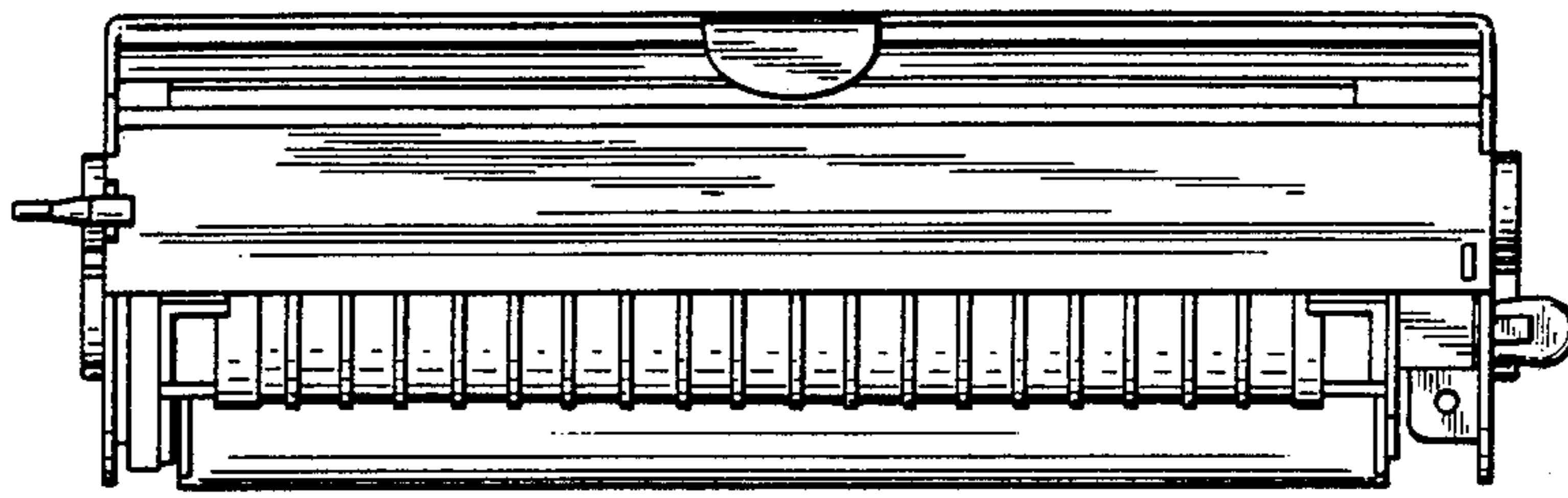


FIG. 2

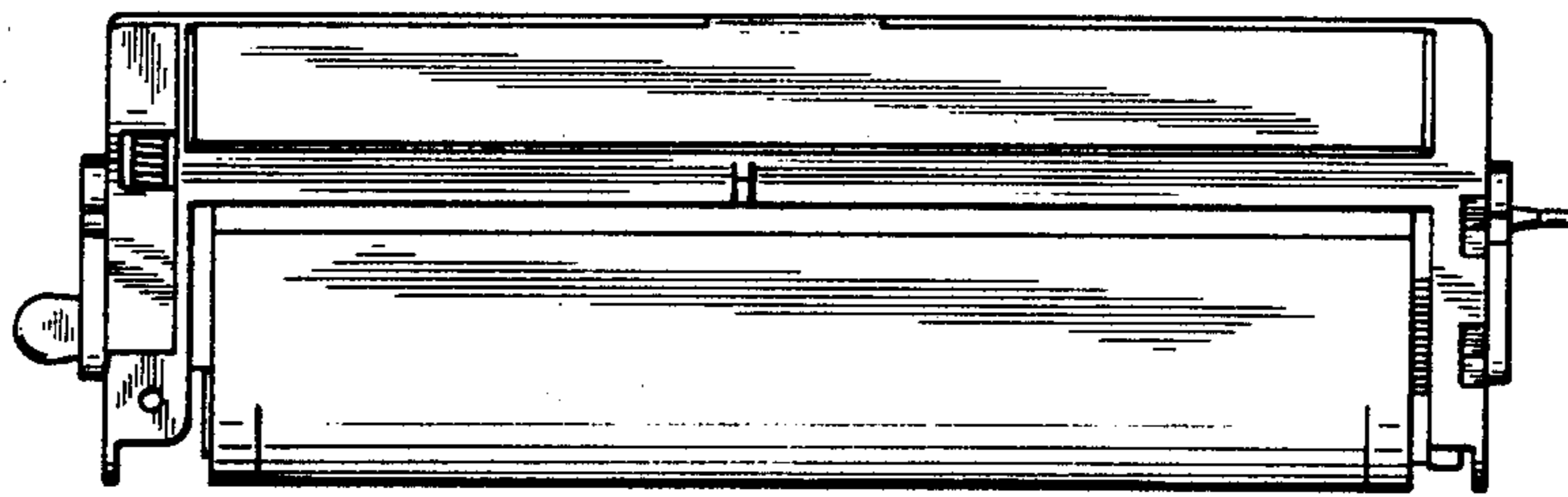


FIG. 3

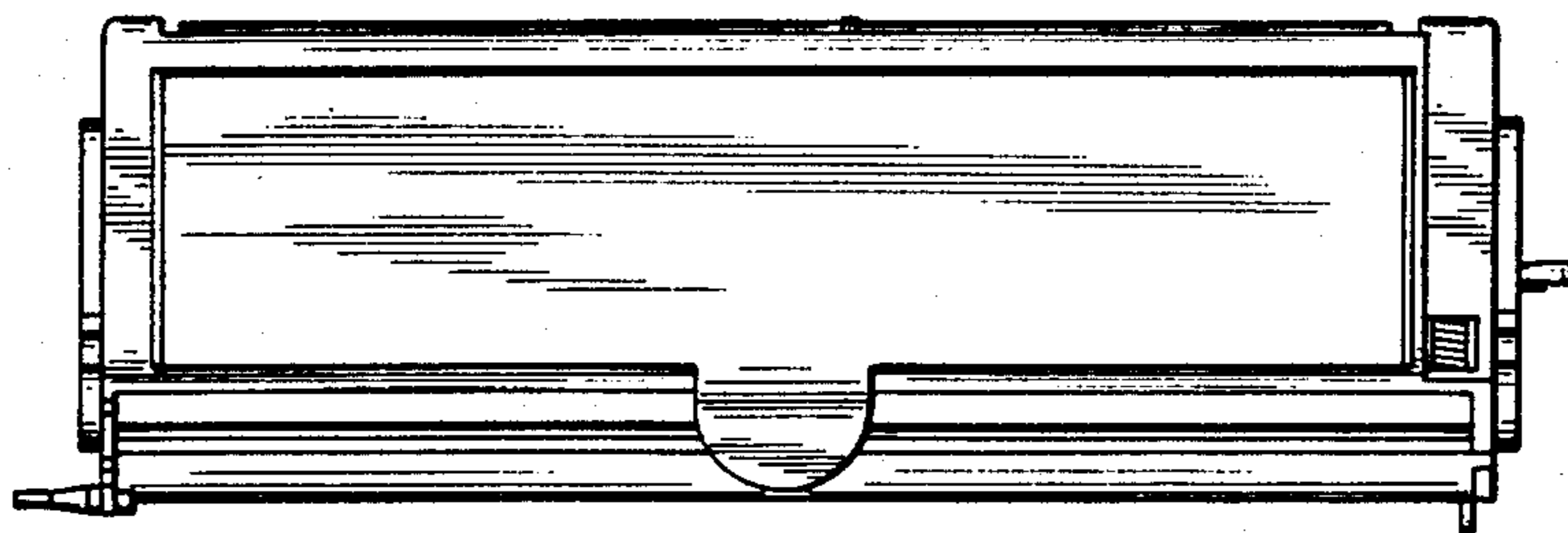


FIG. 4

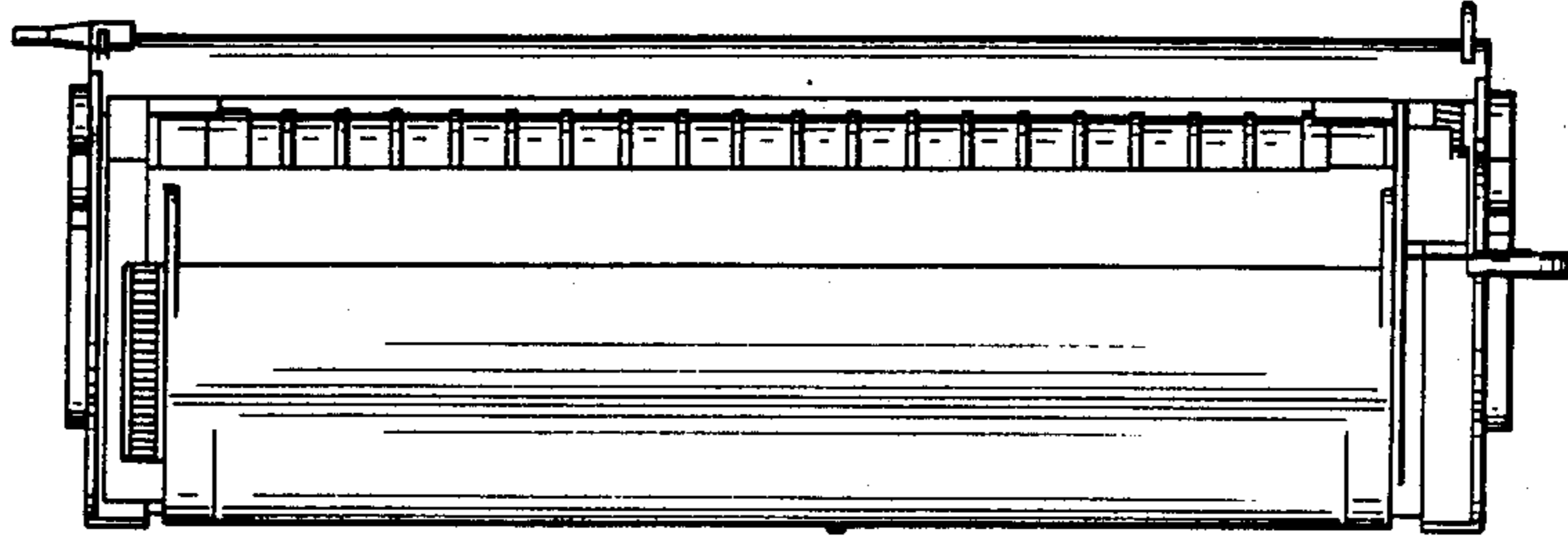


FIG. 5

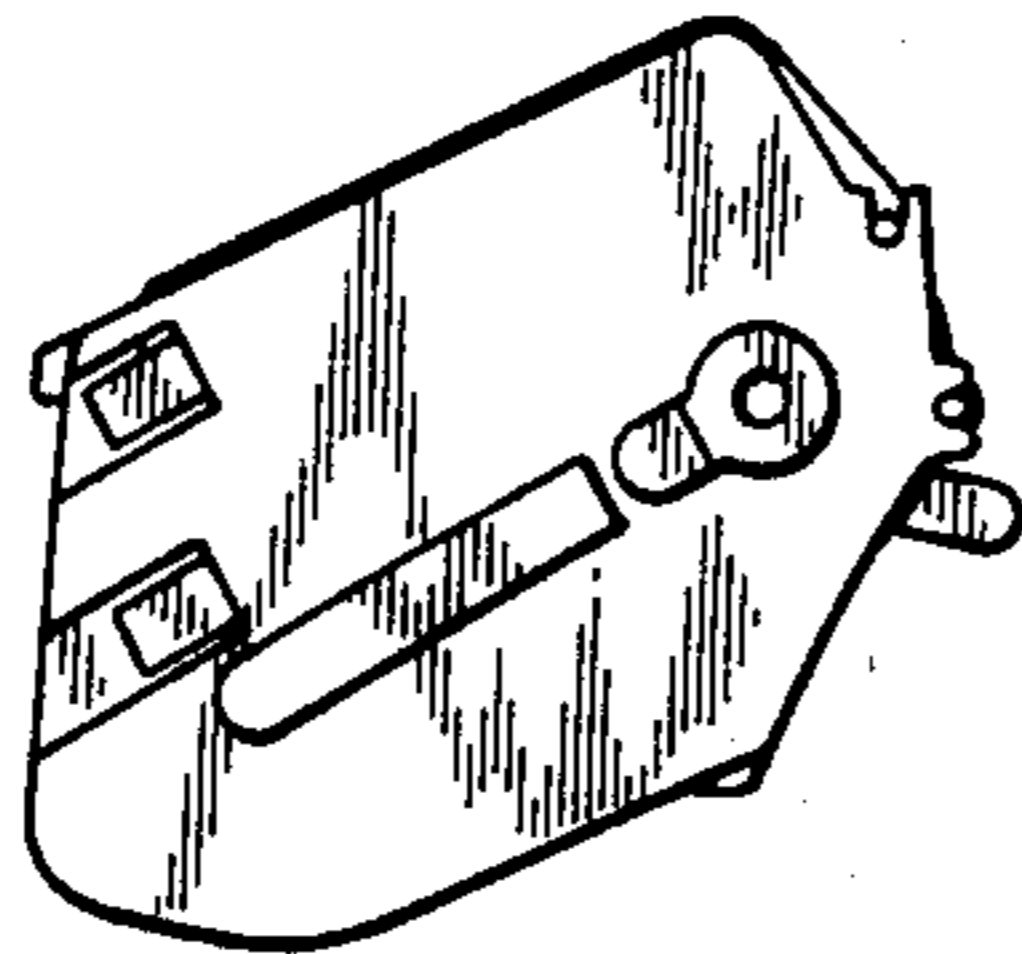


FIG. 6

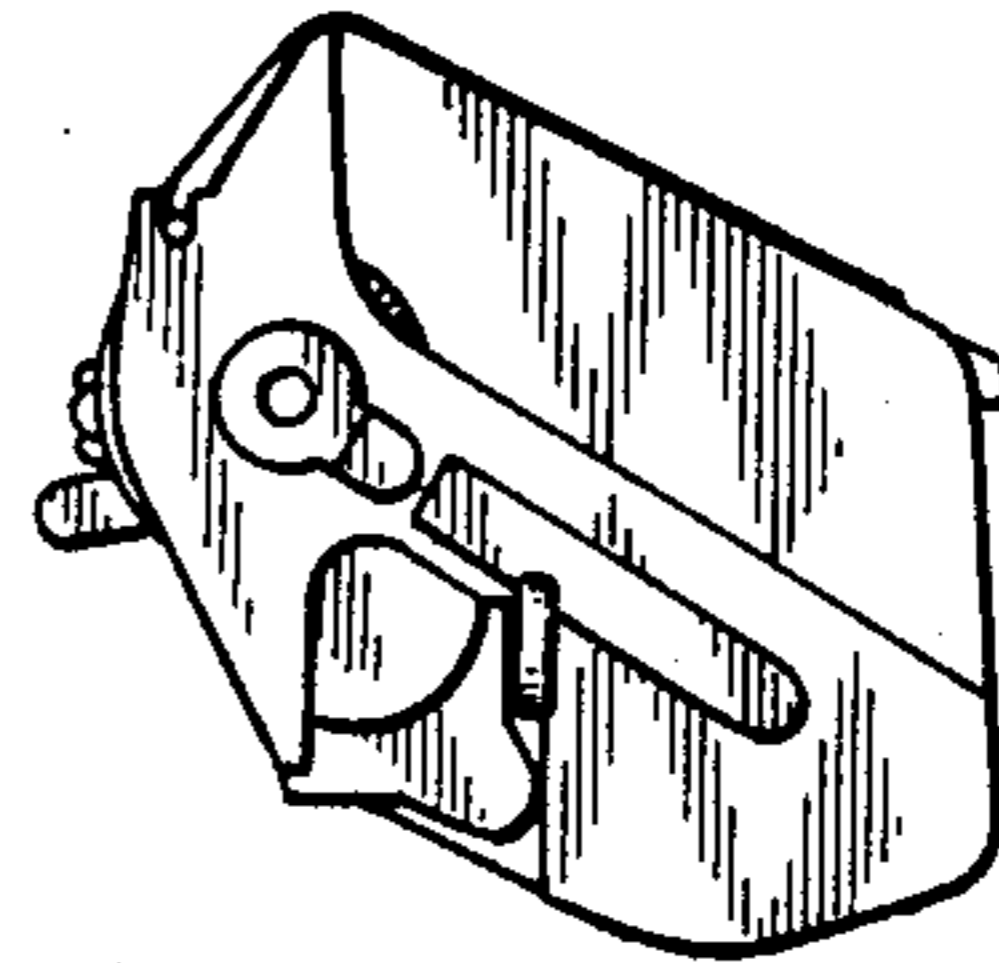


FIG. 7

