

[54] **ADJUSTABLE PRINTER STAND**

[75] **Inventors:** H. Charles Hassel, Los Angeles; Donald Westland, Venice, both of Calif.

[73] **Assignee:** MicroComputer Accessories Inc., Los Angeles, Calif.

[**] **Term:** 14 Years

[21] **Appl. No.:** 93,907

[22] **Filed:** Sep. 8, 1987

[52] **U.S. Cl.** D18/23

[58] **Field of Search** 211/13, 50; D14/111, D14/114; D6/334, 426, 427, 430, 464, 477, 478, 479, 484, 487; D18/13, 23; 248/670, 673, 676, 174, 175, 176, 918; 400/613.2, 613.4, 691, 694; 108/41, 33; 312/208

[56] **References Cited**

U.S. PATENT DOCUMENTS

D. 290,717 7/1987 Judd D18/23
4,840,344 6/1989 Moroe 400/691

OTHER PUBLICATIONS

Devoke Computer Support Pats. Catalog, p. 33 (bottom right hand corner).

Catalog Page, Innovative Concepts, Inc. P.O. Box 32899, San Jose, CA 95152, May, 1986.

Primary Examiner—A. Hugo Word

Assistant Examiner—Cathy Anne MacCormac

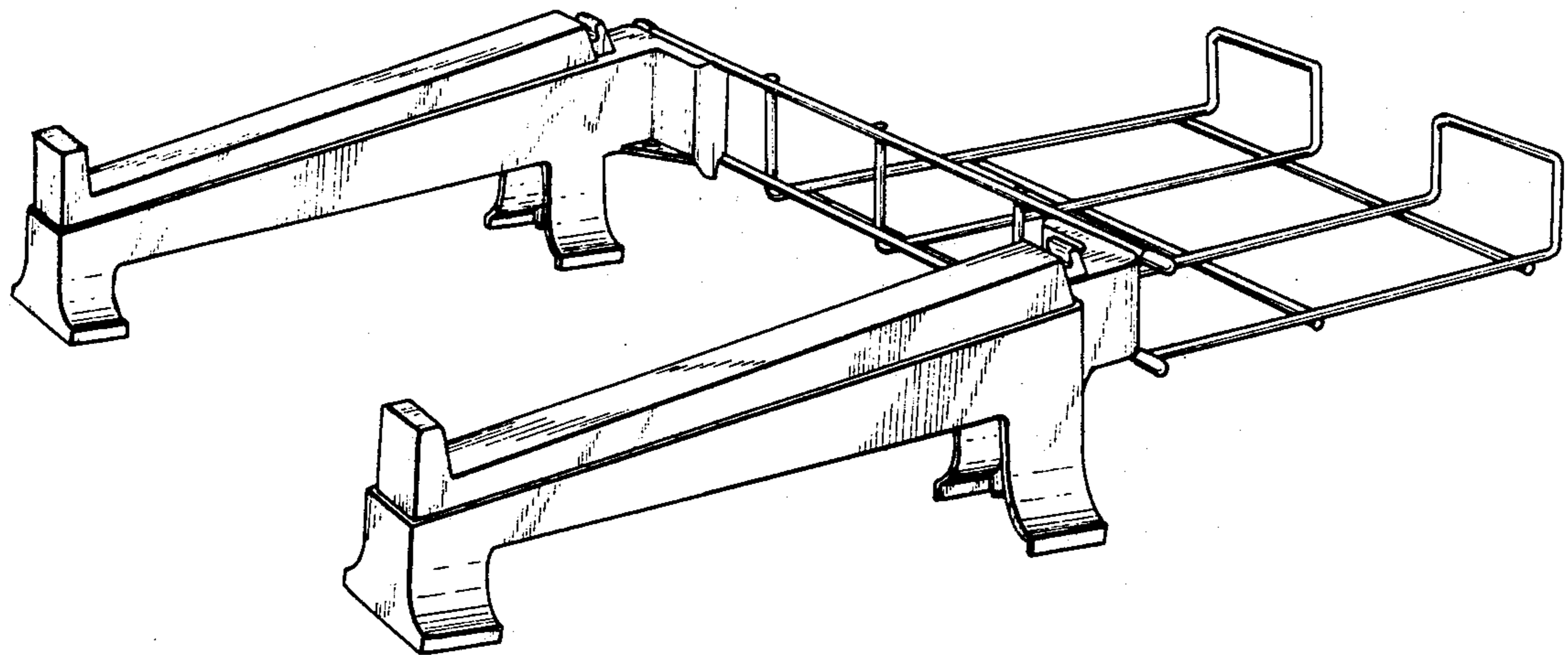
Attorney, Agent, or Firm—Richard B. O'Planick

[57] **CLAIM**

The ornamental design for an adjustable printer stand, as shown and described.

DESCRIPTION

FIG. 1 is a front perspective view of an adjustable printer stand showing our new design; FIG. 2 is a front elevational view thereof; FIG. 3 is a rear elevational view thereof; FIG. 4 is a right side elevational view thereof, the left side being a mirror image of the right side shown; FIG. 5 is a bottom plan view thereof; and FIG. 6 is a top plan view thereof.



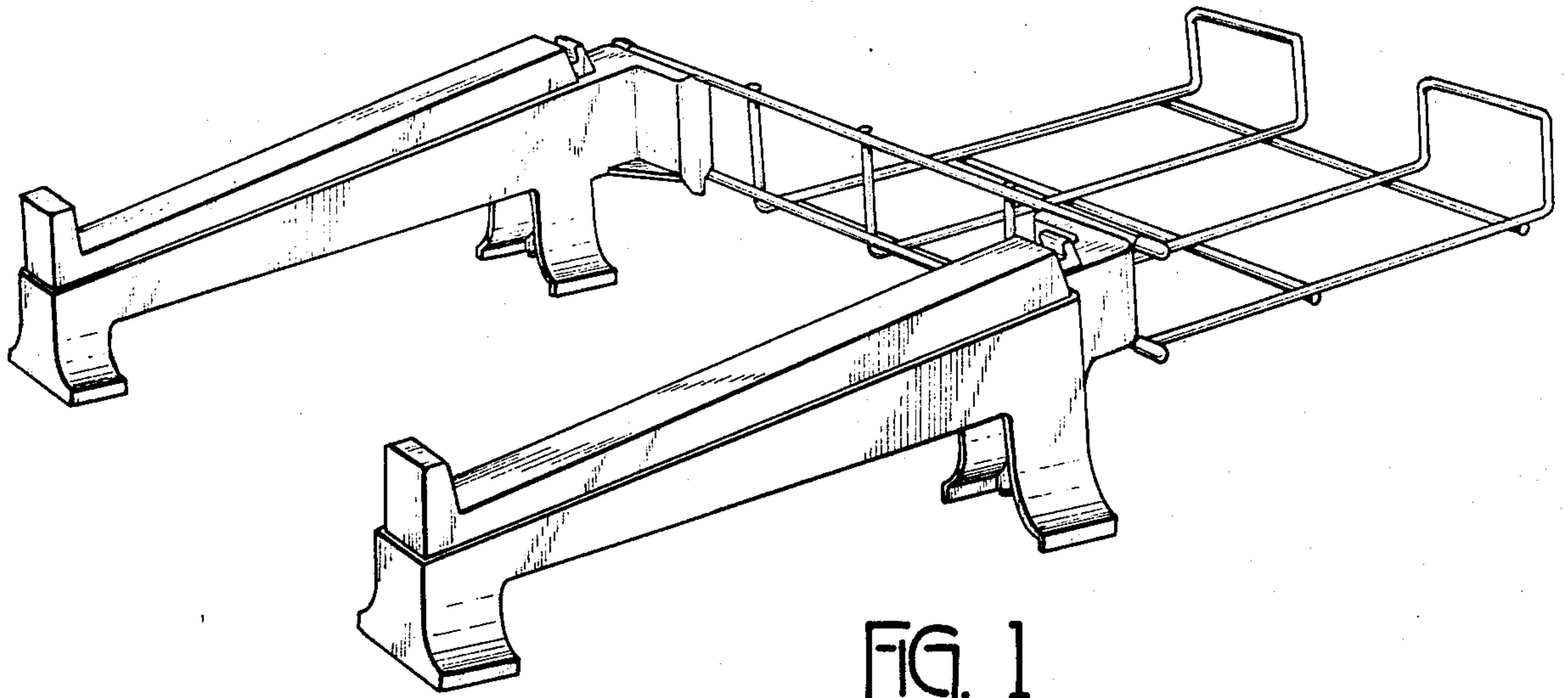


FIG. 1

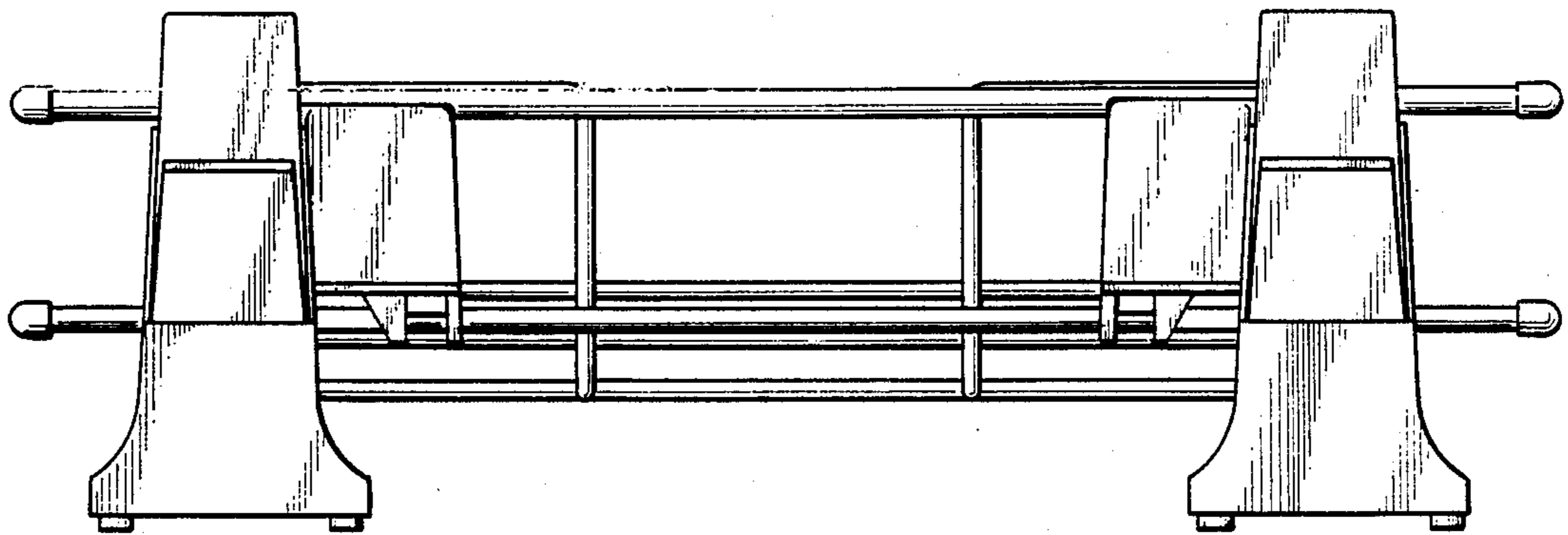
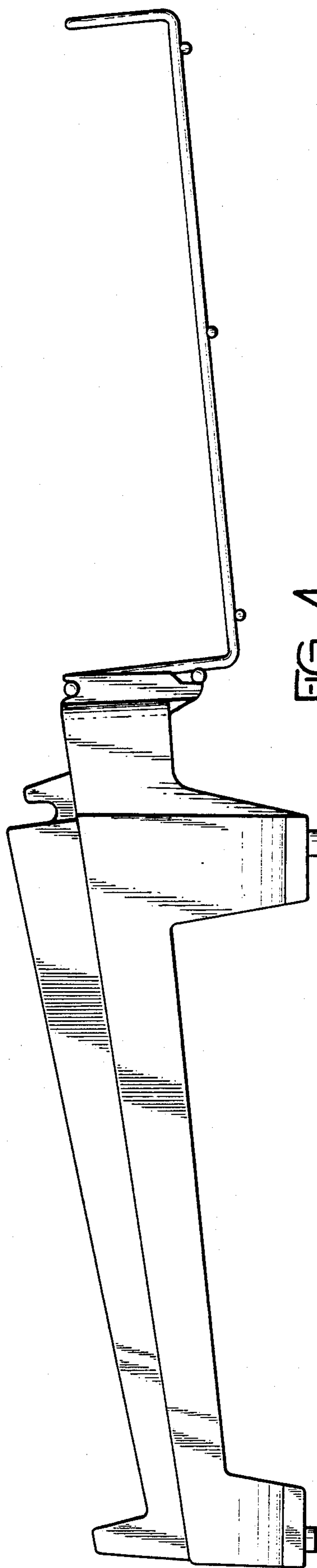
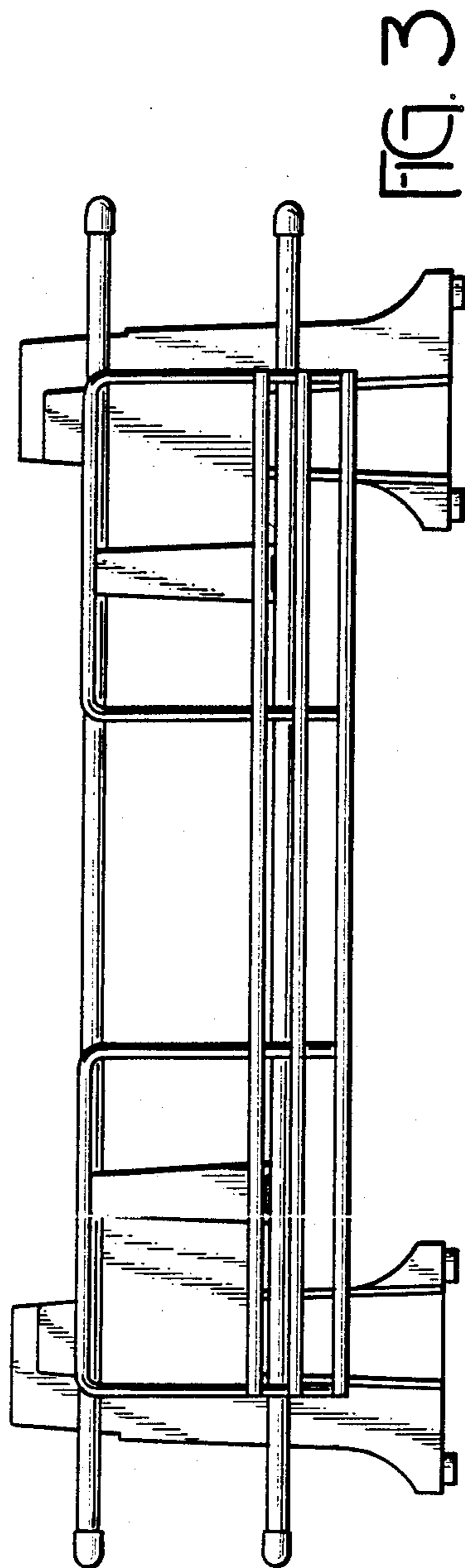


FIG. 2



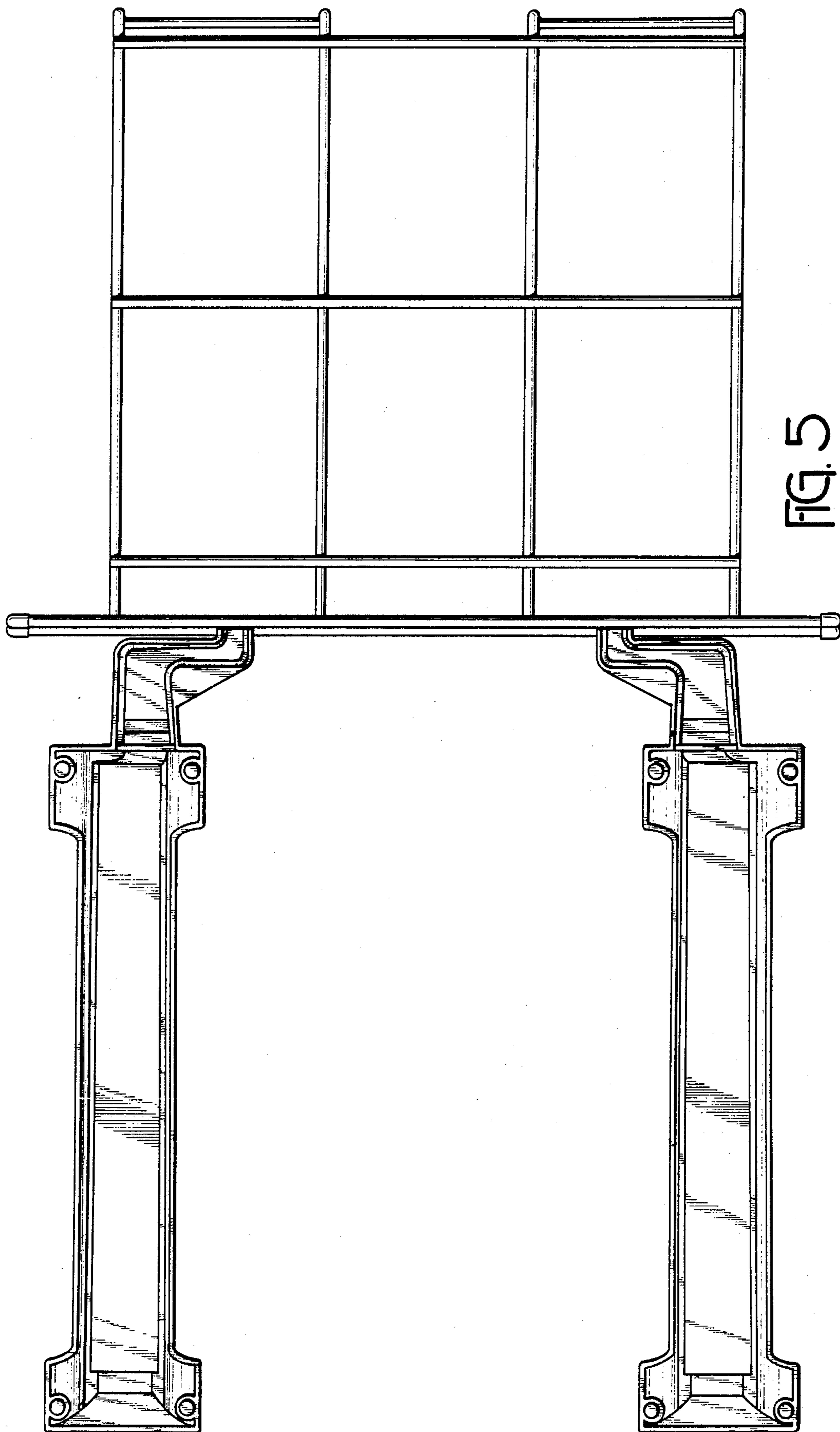


FIG. 5

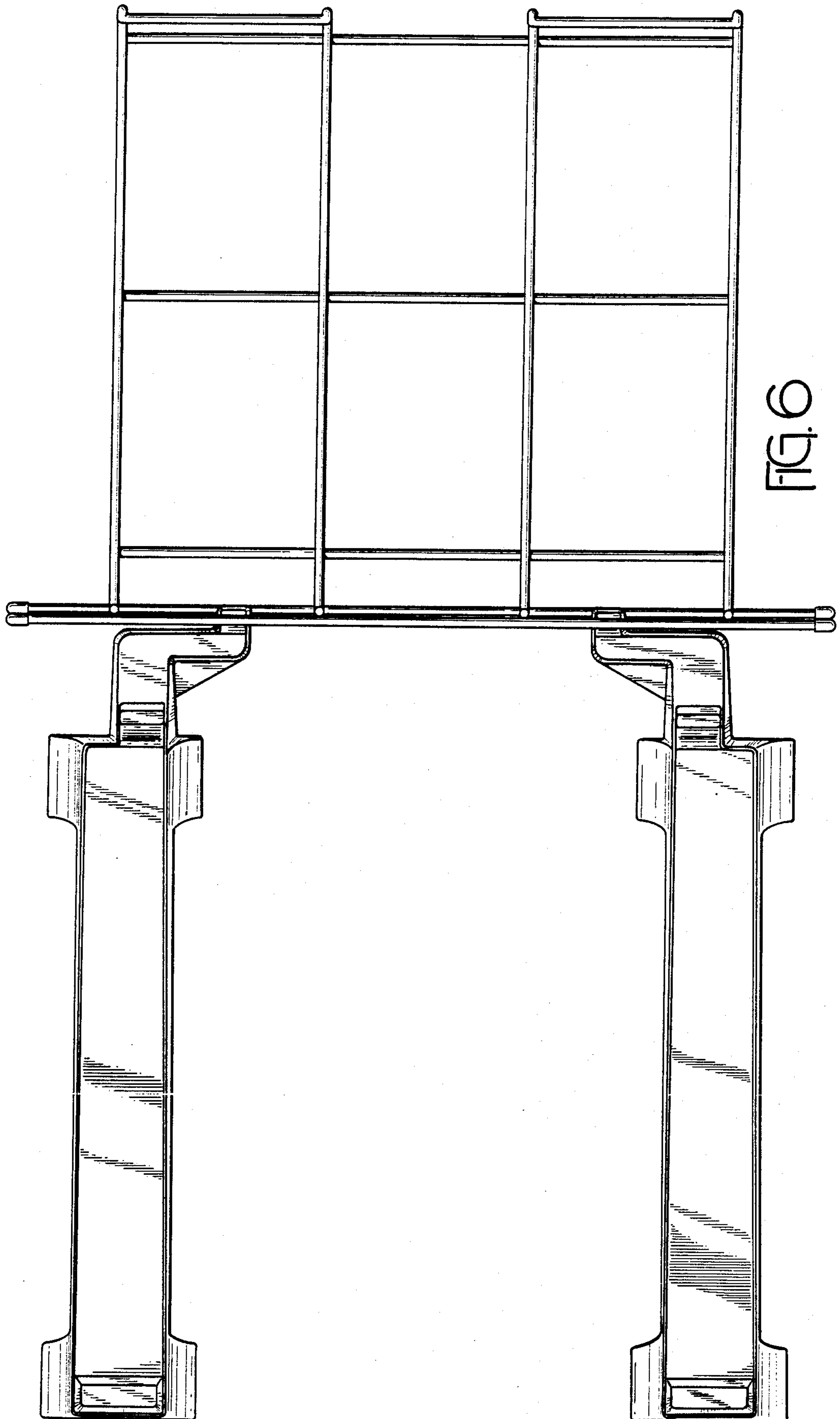


FIG. 6