

[54] COMBINED CAMERA AND VIDEO TAPE RECORDER

[75] Inventors: Hiroshi Ooi; Seiji Kurokawa, both of Osaka, Japan

[73] Assignee: Sharp Corporation, Osaka, Japan

[**] Term: 14 Years

[21] Appl. No.: 325,500

[22] Filed: Mar. 20, 1989

[30] Foreign Application Priority Data

Oct. 7, 1988 [JP] Japan 63-39578

[52] U.S. Cl. D16/202

[58] Field of Search D16/200, 201, 202-206, D16/208; 352/34, 242; 354/82, 293, 288; 358/229, 906, 909

[56] References Cited

U.S. PATENT DOCUMENTS

- D. 289,157 4/1987 Inai et al. D16/202
- D. 289,893 5/1987 Takemoto et al. D16/202
- D. 305,240 12/1989 Kondoh D16/202
- 4,623,931 11/1986 Inaga et al. 358/229

OTHER PUBLICATIONS

- 35 mm. Photography, 9/86, p. 73 (Canon VM-E1). HFD, 12/28/87, p. 70.
- Popular Photo, Sep. 1988, p. 21.
- HFD, 10/24/88, p. 110.

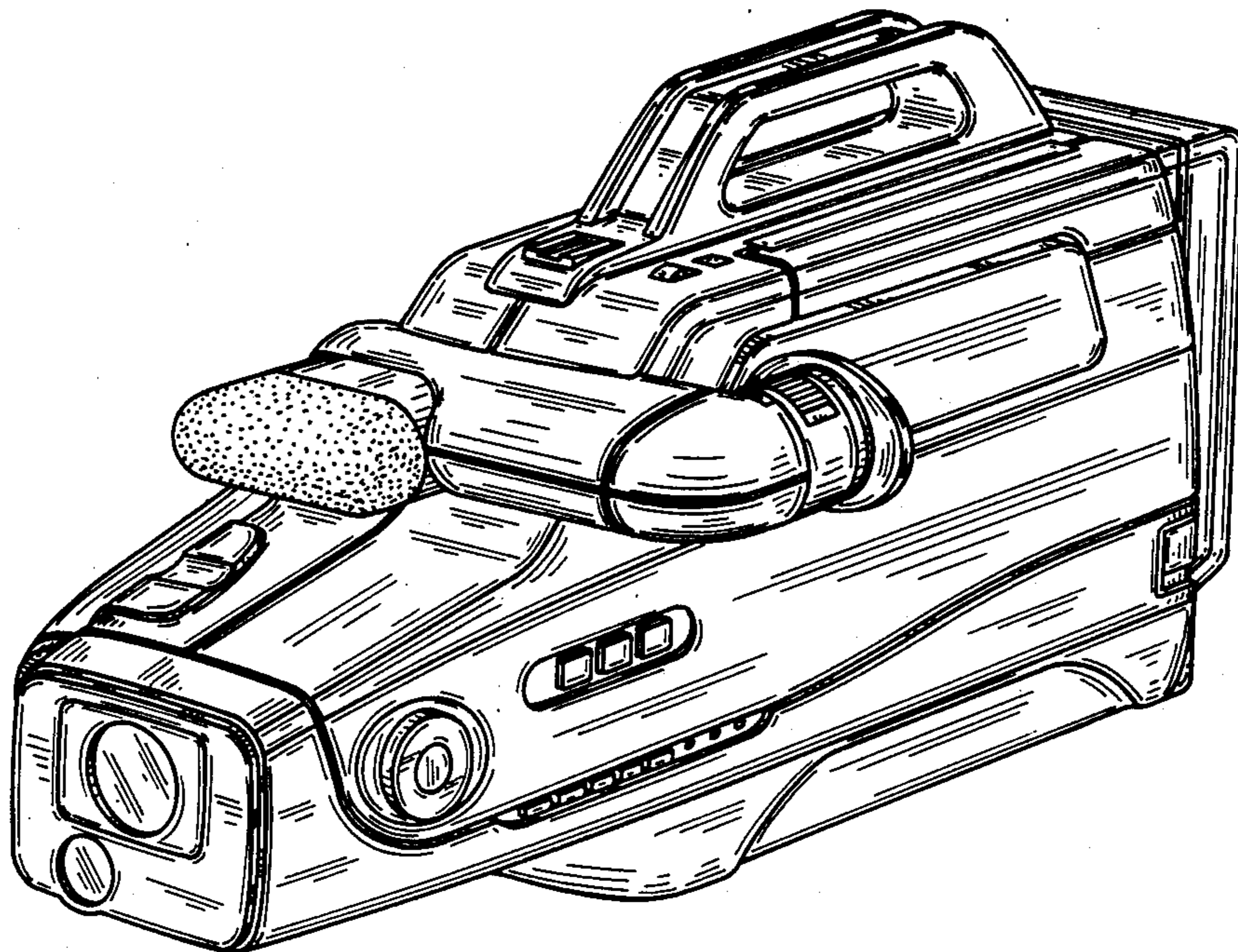
Primary Examiner—Melvin B. Feifer
Assistant Examiner—Adir Aronovich
Attorney, Agent, or Firm—Flehr, Hohbach, Test, Albritton & Herbert

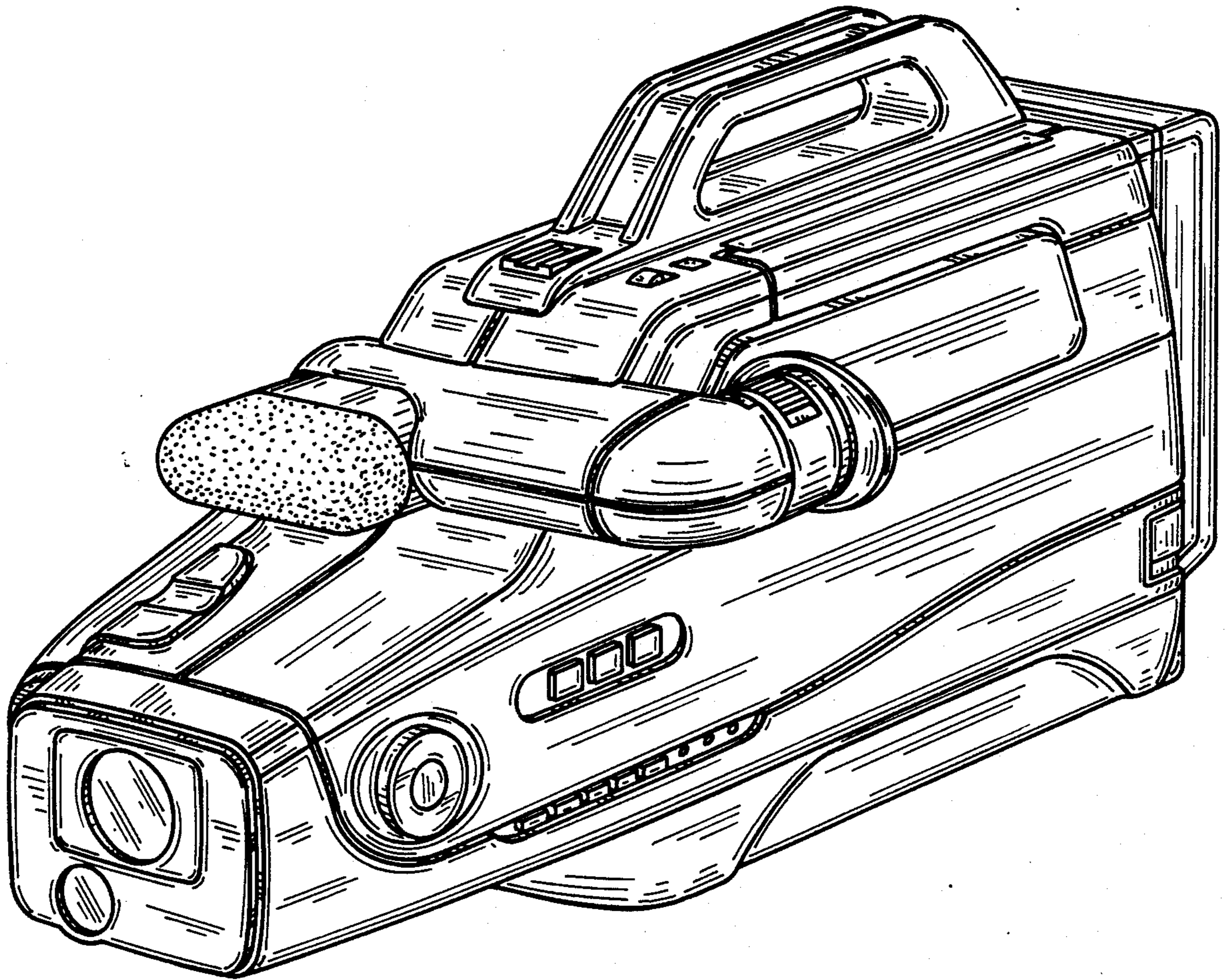
[57] CLAIM

The ornamental design for a combined camera and video tape recorder, as shown.

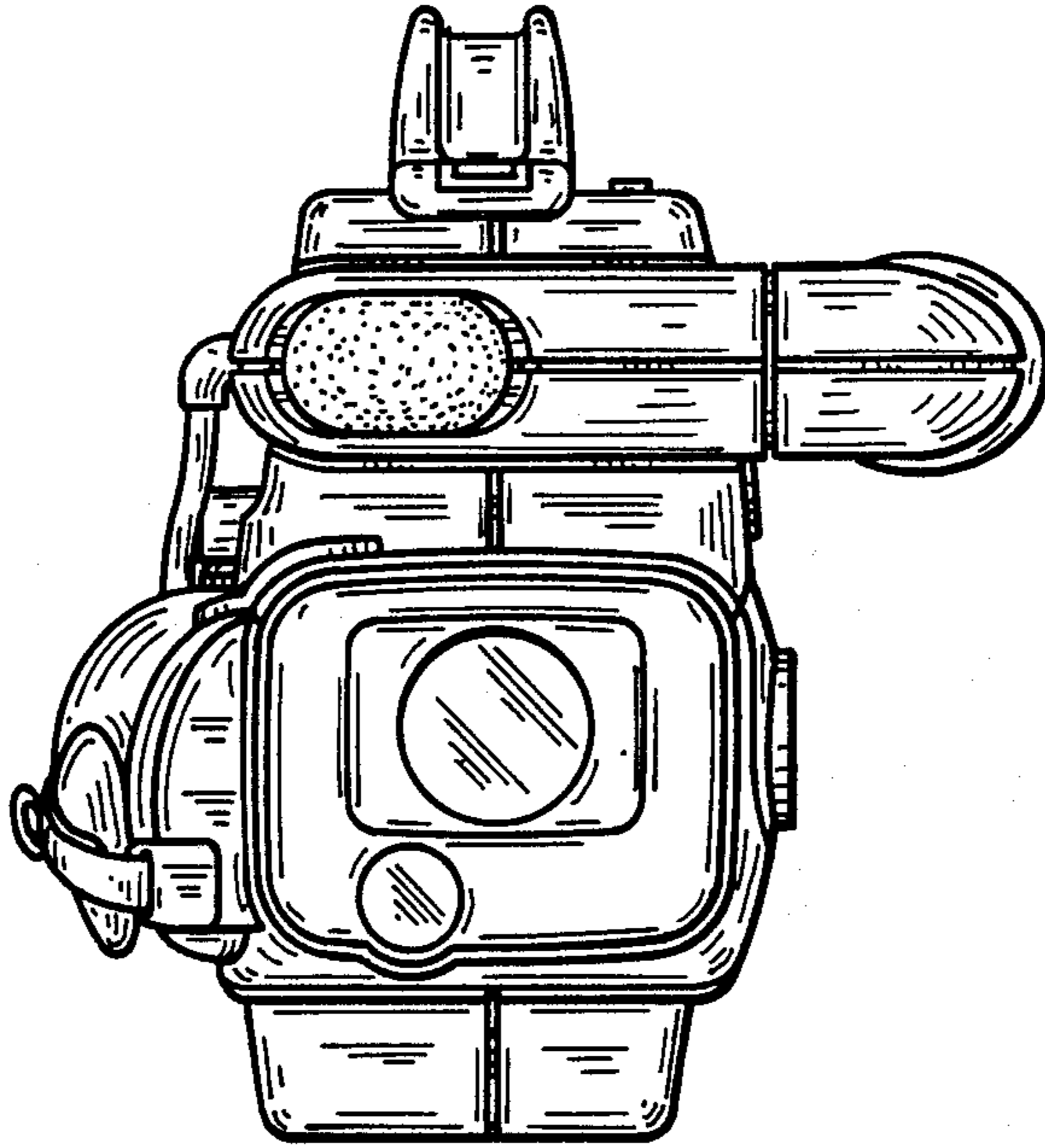
DESCRIPTION

FIG. 1 is a top right perspective view of a combined camera and video tape recorder showing our new design;
FIG. 2 is a front elevational view thereof;
FIG. 3 is a rear elevational view thereof;
FIG. 4 is a top plan view thereof;
FIG. 5 is a bottom plan view thereof;
FIG. 6 is a right side elevational view thereof; and
FIG. 7 is a left side elevational view thereof.

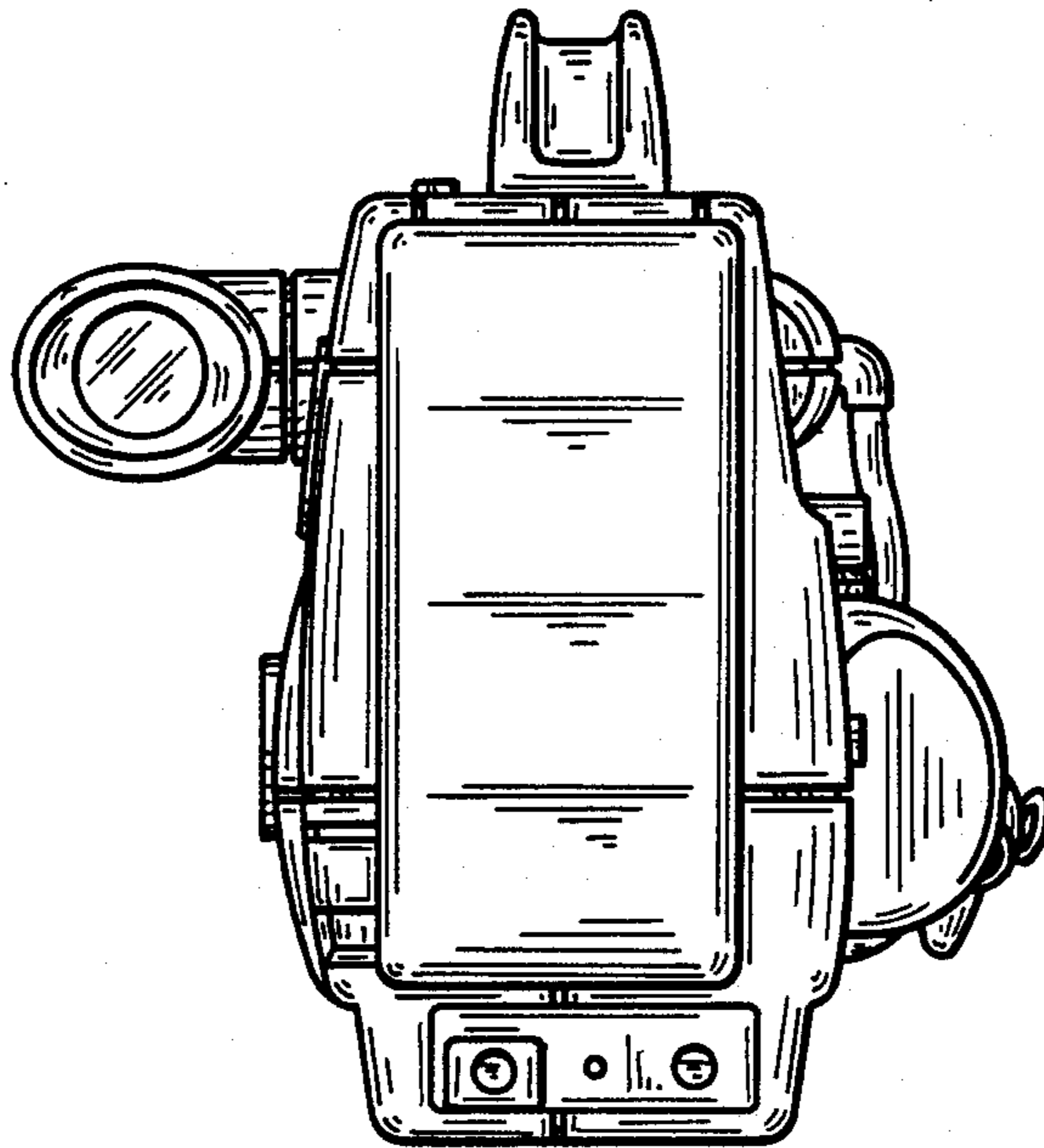




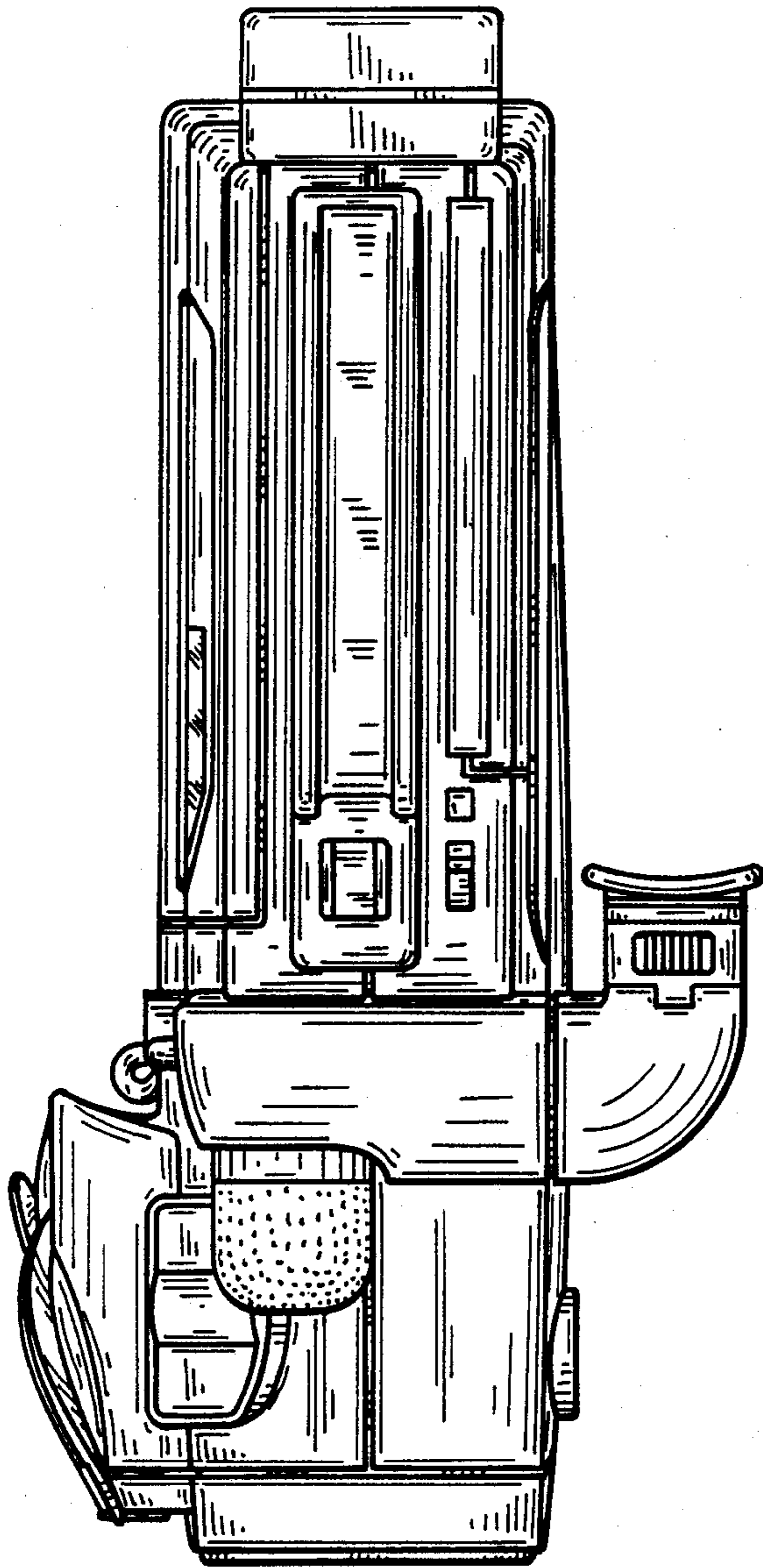
FIG_1



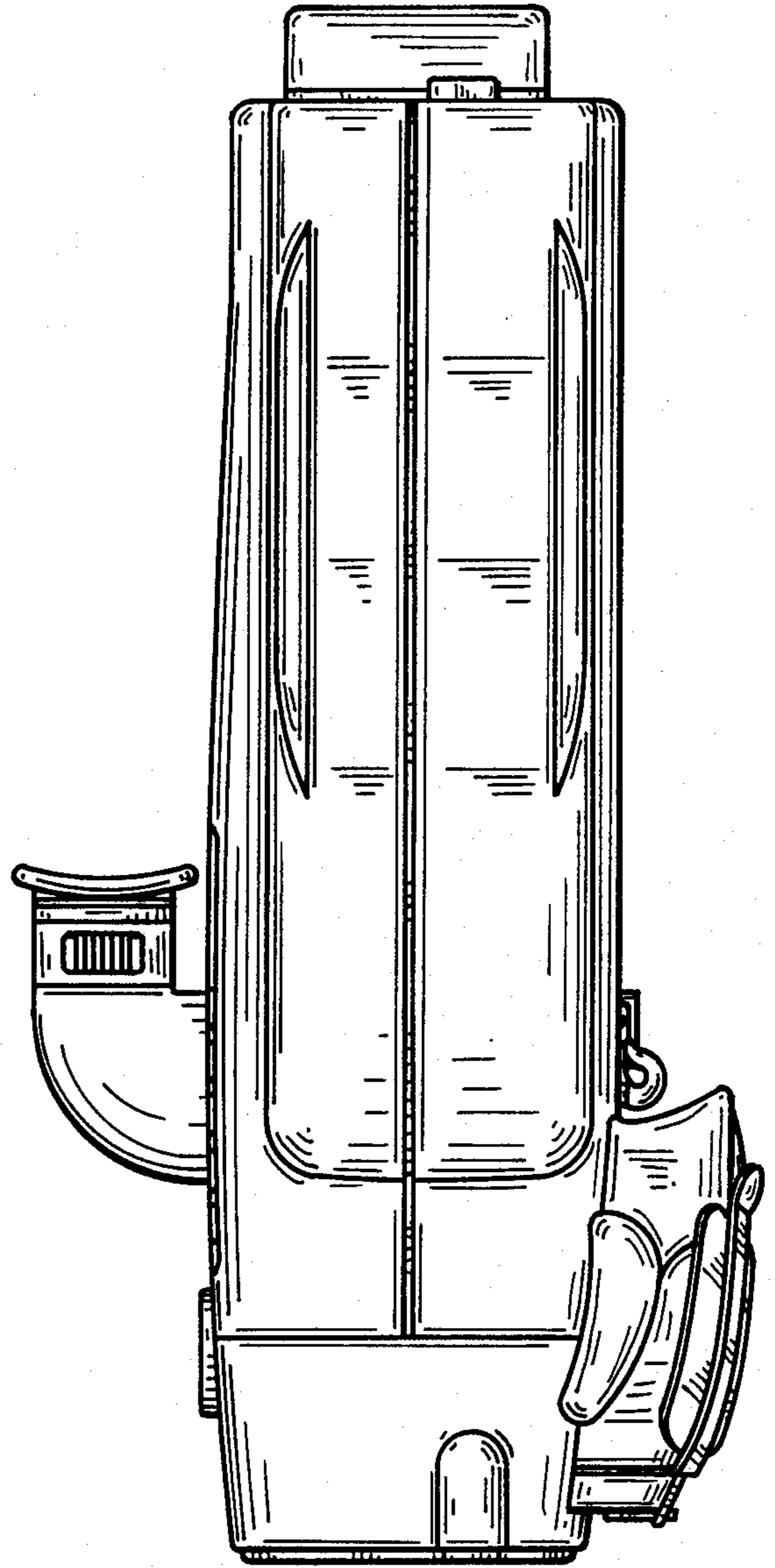
FIG_2



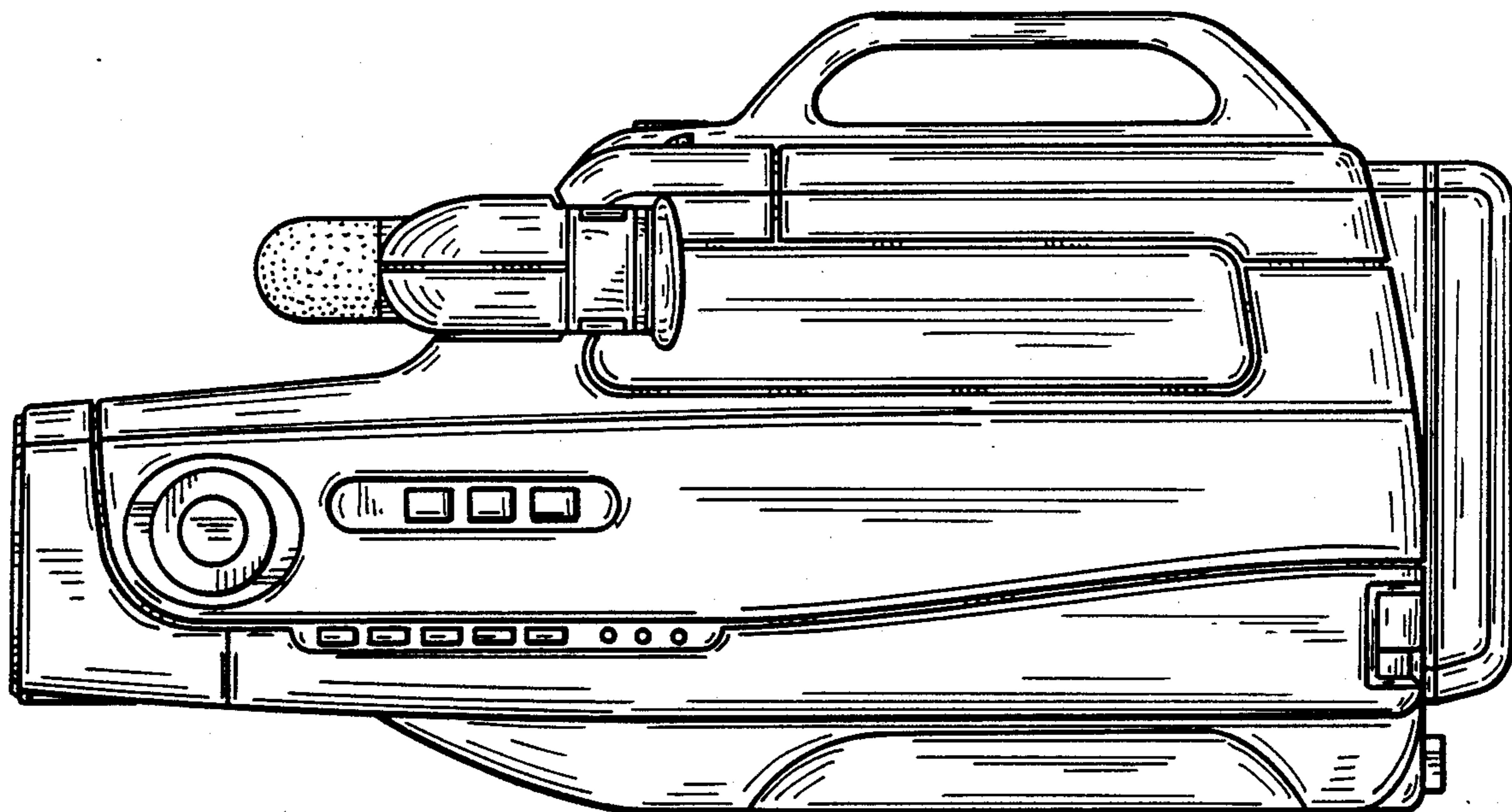
FIG_3



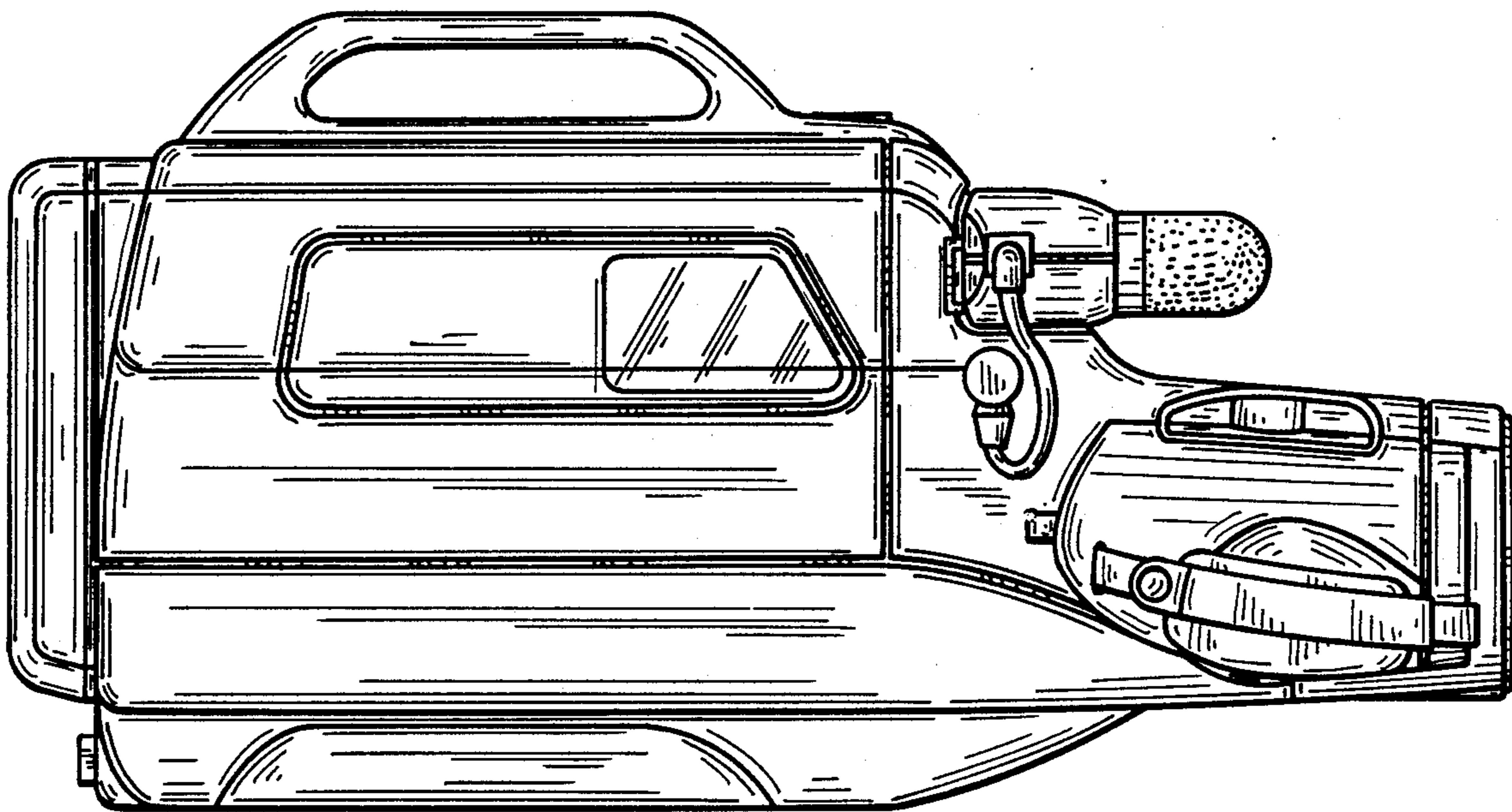
FIG_4



FIG_5



FIG_6



FIG_7