

United States Patent [19]

Saito et al.

[11] Patent Number: **Des. 313,605**

[45] Date of Patent: **** Jan. 8, 1991**

- [54] **TERMINAL FITTED BOBBIN**
- [75] Inventors: **Kiyokazu Saito; Hiraku Imaizumi,**
both of Chiba, Japan
- [73] Assignee: **TDK Electronics Co., Ltd., Japan**
- [**] Term: **14 Years**
- [21] Appl. No.: **265,930**
- [22] Filed: **Nov. 2, 1988**
- [30] **Foreign Application Priority Data**
May 6, 1988 [JP] Japan 63-60001[U]
- [52] U.S. Cl. **D15/78**
- [58] Field of Search **D15/66, 72, 76, 78;**
112/188, 279; 242/118, 118.4, 118.6; 366/192
- [56] **References Cited**
U.S. PATENT DOCUMENTS
D. 187,566 3/1960 Lakin D15/72

2,678,012 5/1954 Ayres 242/118.4
4,462,324 7/1984 Larsen 112/279

Primary Examiner—B. J. Bullock
Assistant Examiner—Sandra Morris
Attorney, Agent, or Firm—Leydig, Voit & Mayer

[57] CLAIM

The ornamental design for a terminal fitted bobbin, as shown.

DESCRIPTION

FIG. 1 is a perspective view of a terminal fitted bobbin showing our new design;
FIG. 2 is a front elevational view thereof;
FIG. 3 is a rear elevational view thereof;
FIG. 4 is a top plan view thereof;
FIG. 5 is a bottom plan view thereof;
FIG. 6 is a right side elevational view thereof; and
FIG. 7 is a left side elevational view thereof;
FIG. 8 is a sectional view taken in the direction of the arrows on the line VIII—VIII on FIG. 4.

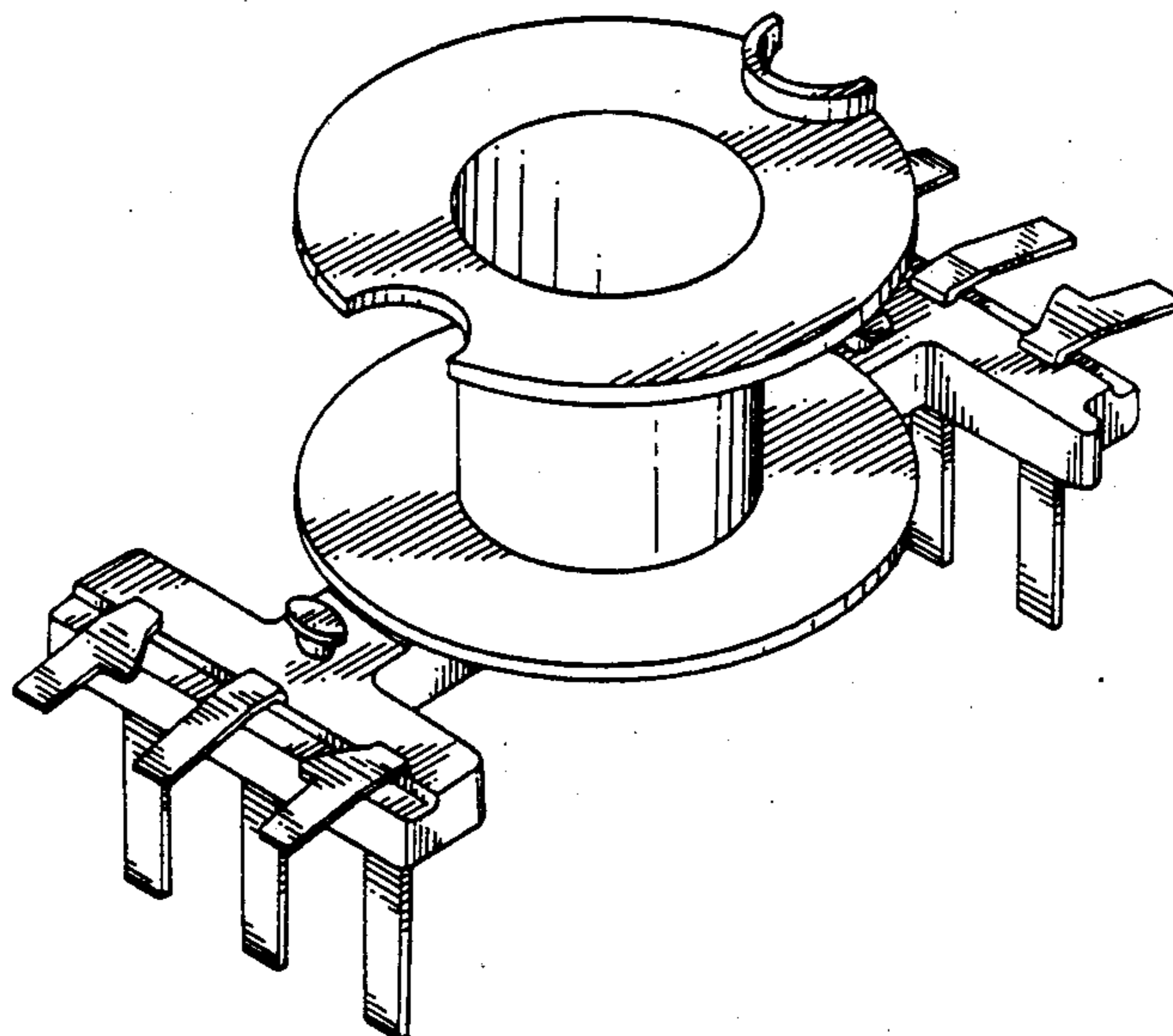


FIG. 1

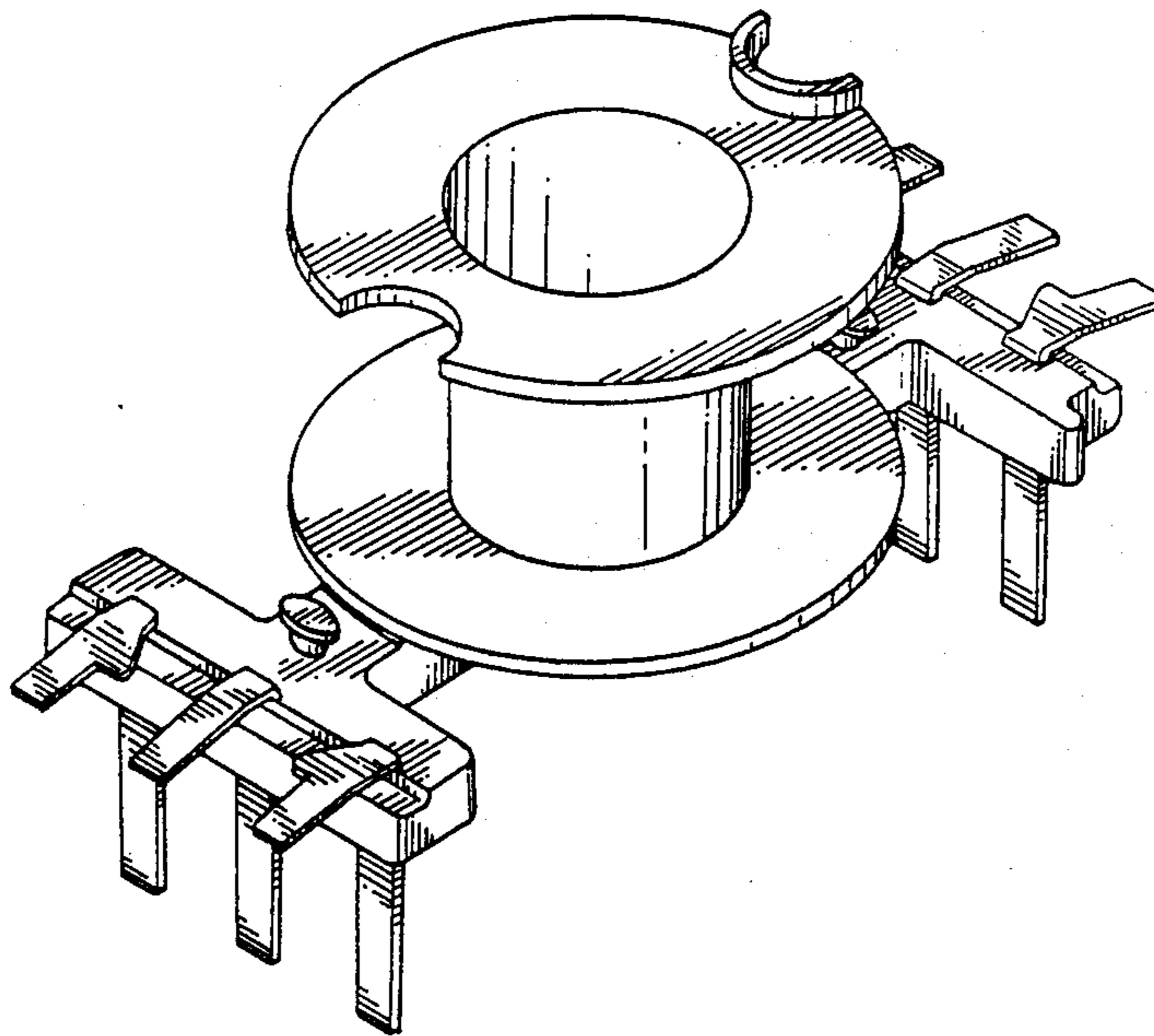


FIG. 2

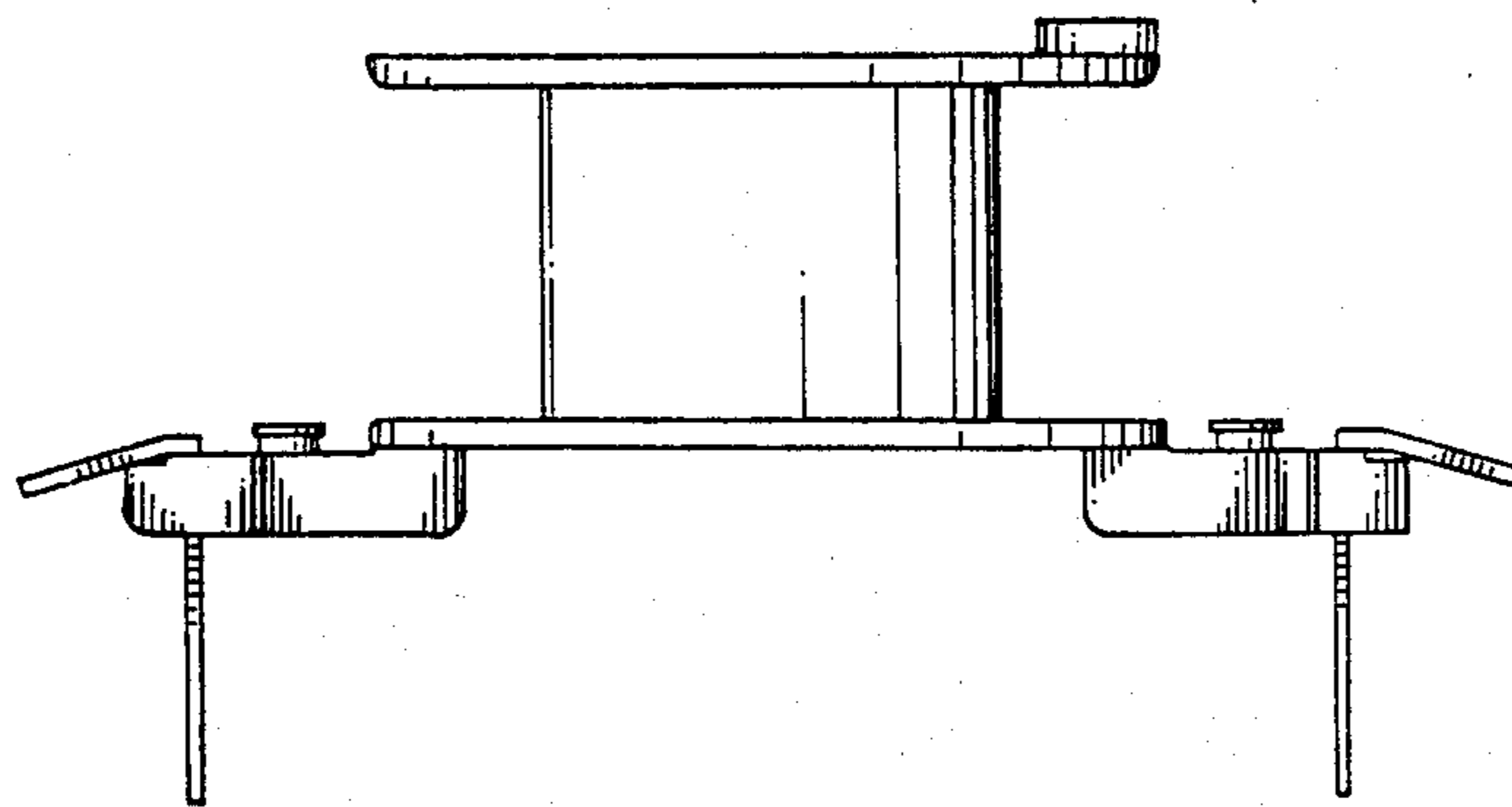


FIG. 3

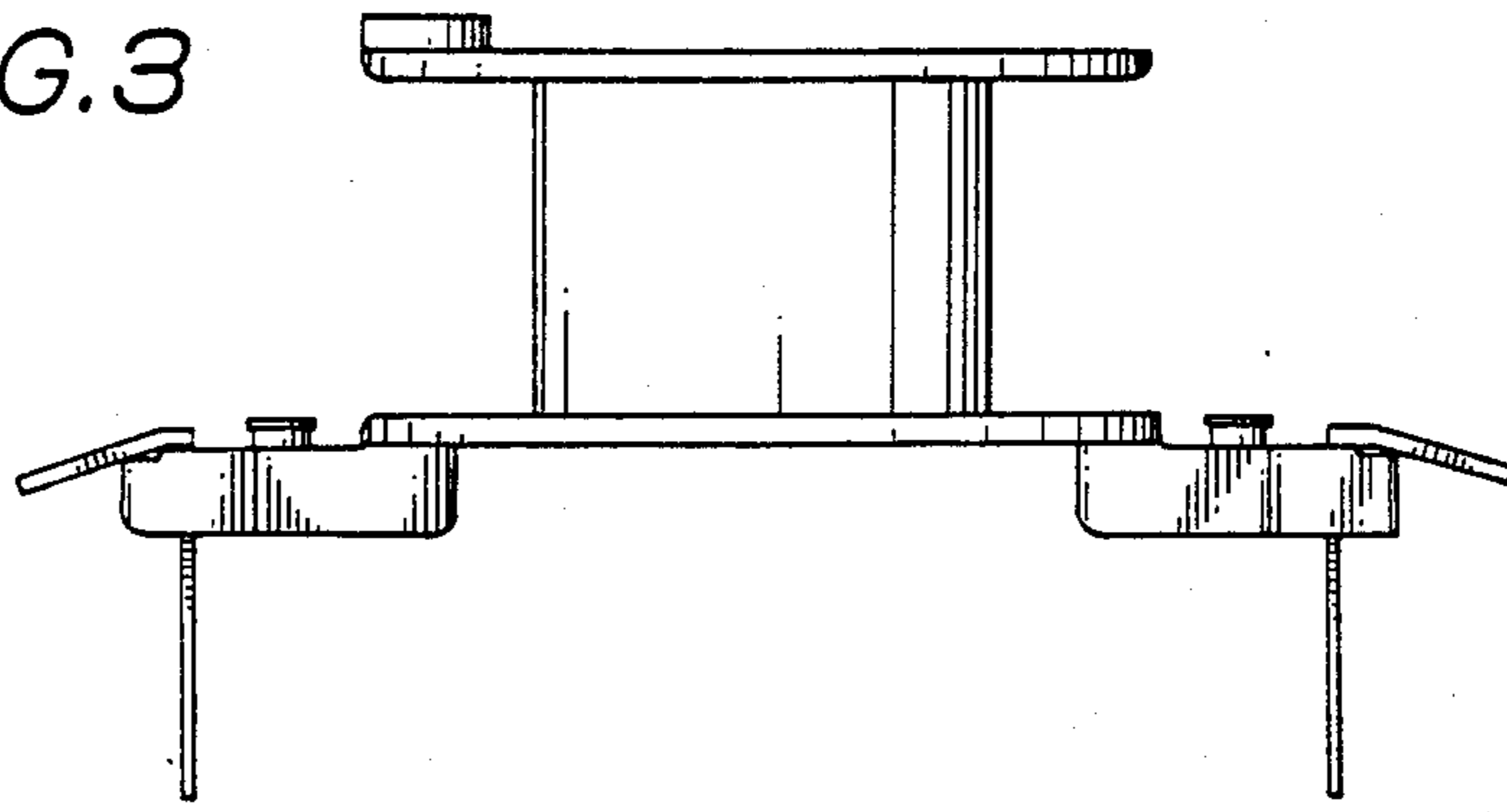


FIG. 4

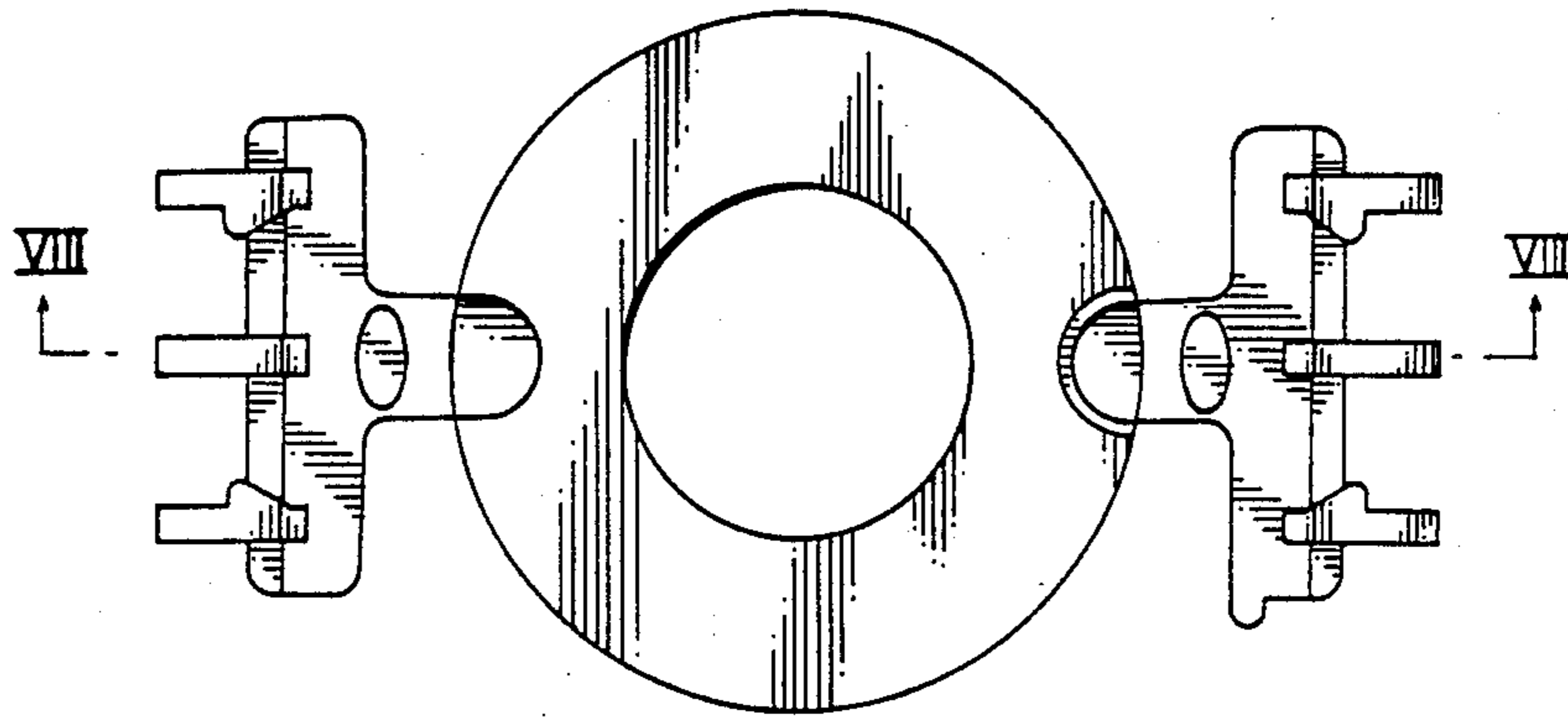


FIG. 5

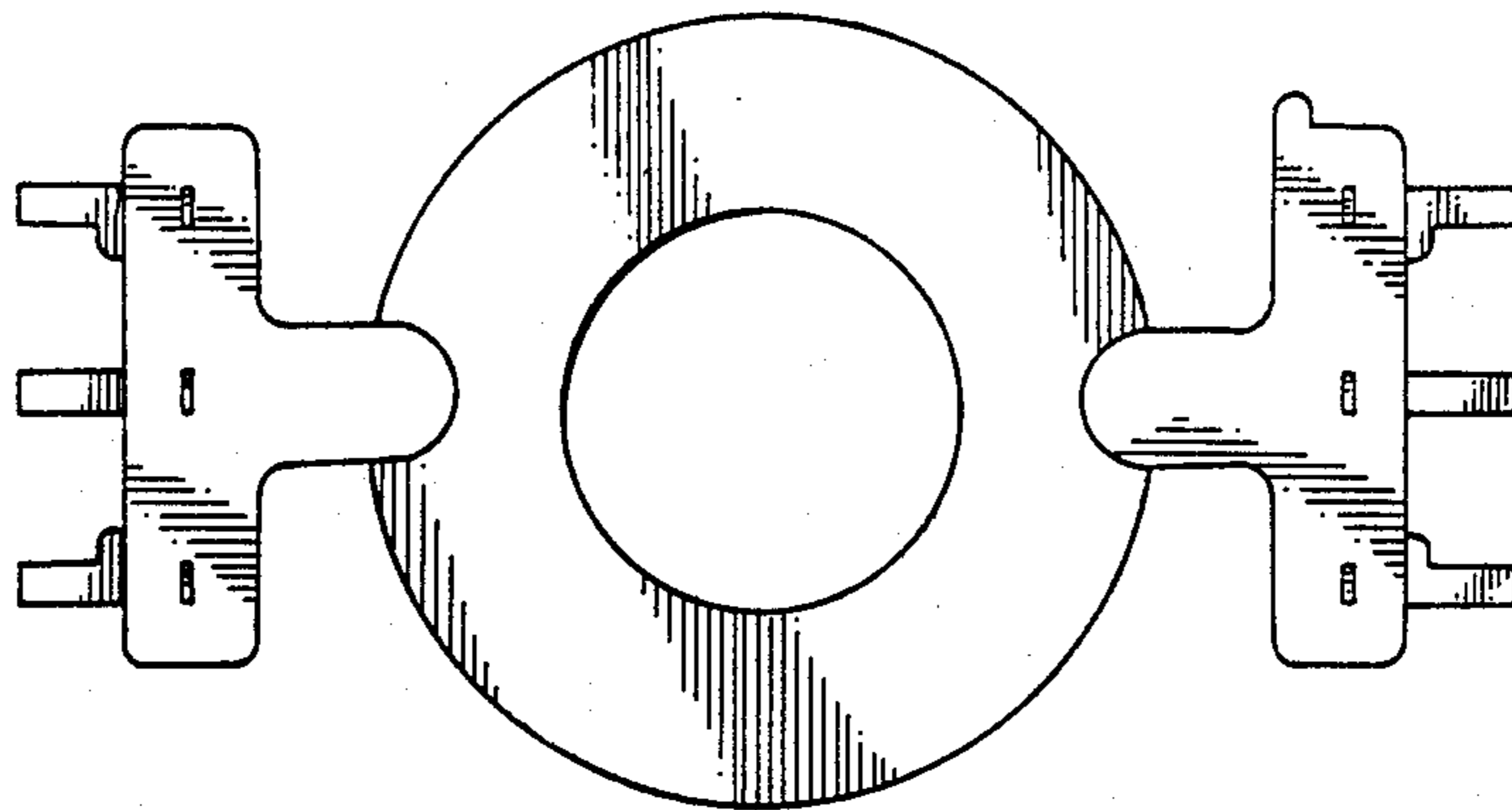


FIG. 6

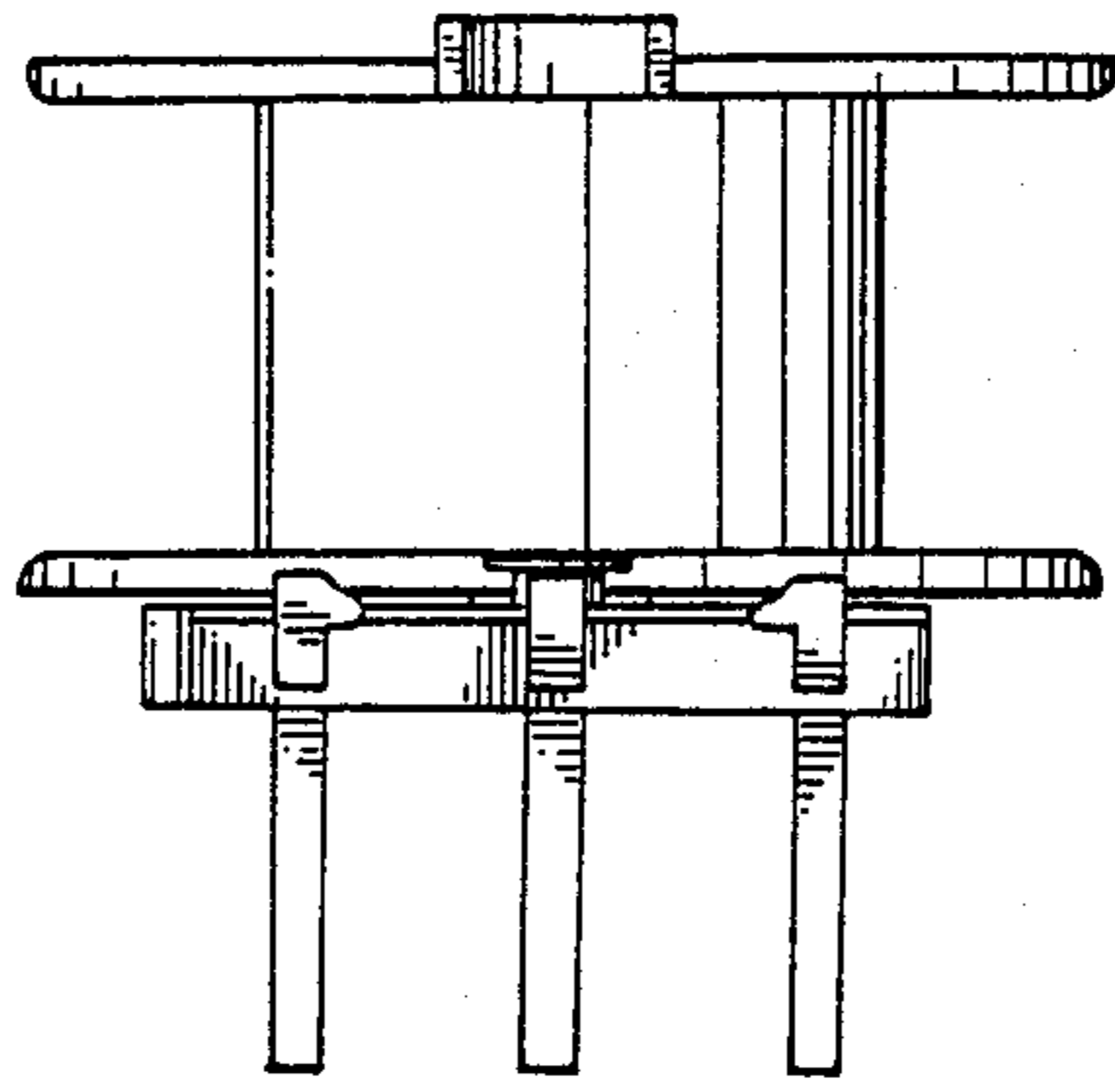


FIG. 7

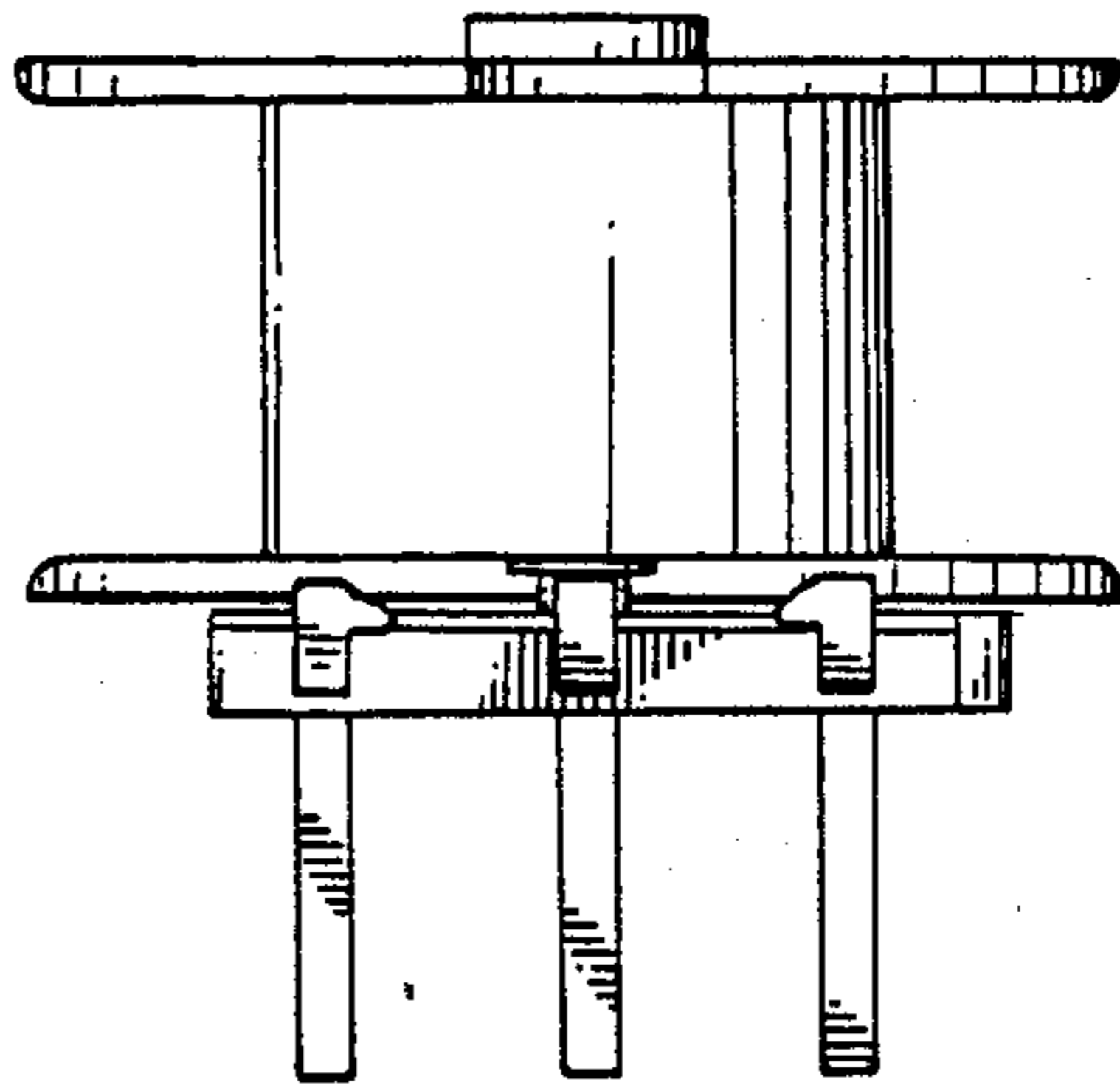


FIG. 8

