

# United States Patent [19]

Shibayama

[11] Patent Number: Des. 313,604

[45] Date of Patent: \*\* Jan. 8, 1991

[54] SEWING MACHINE

[75] Inventor: Ichirou Shibayama, Osaka, Japan

[73] Assignee: Maruzen Sewing Machine Co., Ltd., Osaka, Japan

[\*] Notice: The portion of the term of this patent subsequent to Jan. 8, 2005 has been disclaimed.

[\*\*] Term: 14 Years

[21] Appl. No.: 195,634

[22] Filed: May 17, 1988

[30] Foreign Application Priority Data

Nov. 20, 1987 [JP] Japan ..... 62-47512

[52] U.S. Cl. .... D15/70

[58] Field of Search ..... D15/66-76; 112/199, 217.1-217.4, 258-261, 262.1

[56] References Cited

U.S. PATENT DOCUMENTS

D. 264,088	4/1982	Sullivan et al. ....	D15/69
D. 289,877	5/1987	Yoneda .....	D15/69
D. 292,929	11/1987	Yoneda .....	D15/70
D. 296,558	7/1988	Yoneda .....	D15/69
D. 298,755	11/1988	Shibayama et al. ....	D15/69

Primary Examiner—B. J. Bullock

Assistant Examiner—Sandra Morris

Attorney, Agent, or Firm—Lowe, Price, Leblanc, Becker & Shur

[57] CLAIM

The ornamental design for a sewing machine, as shown.

DESCRIPTION

FIG. 1 is a top plan view of a sewing machine, showing my new designs;

FIG. 2 is a front view thereof;

FIG. 3 is a bottom plan view thereof;

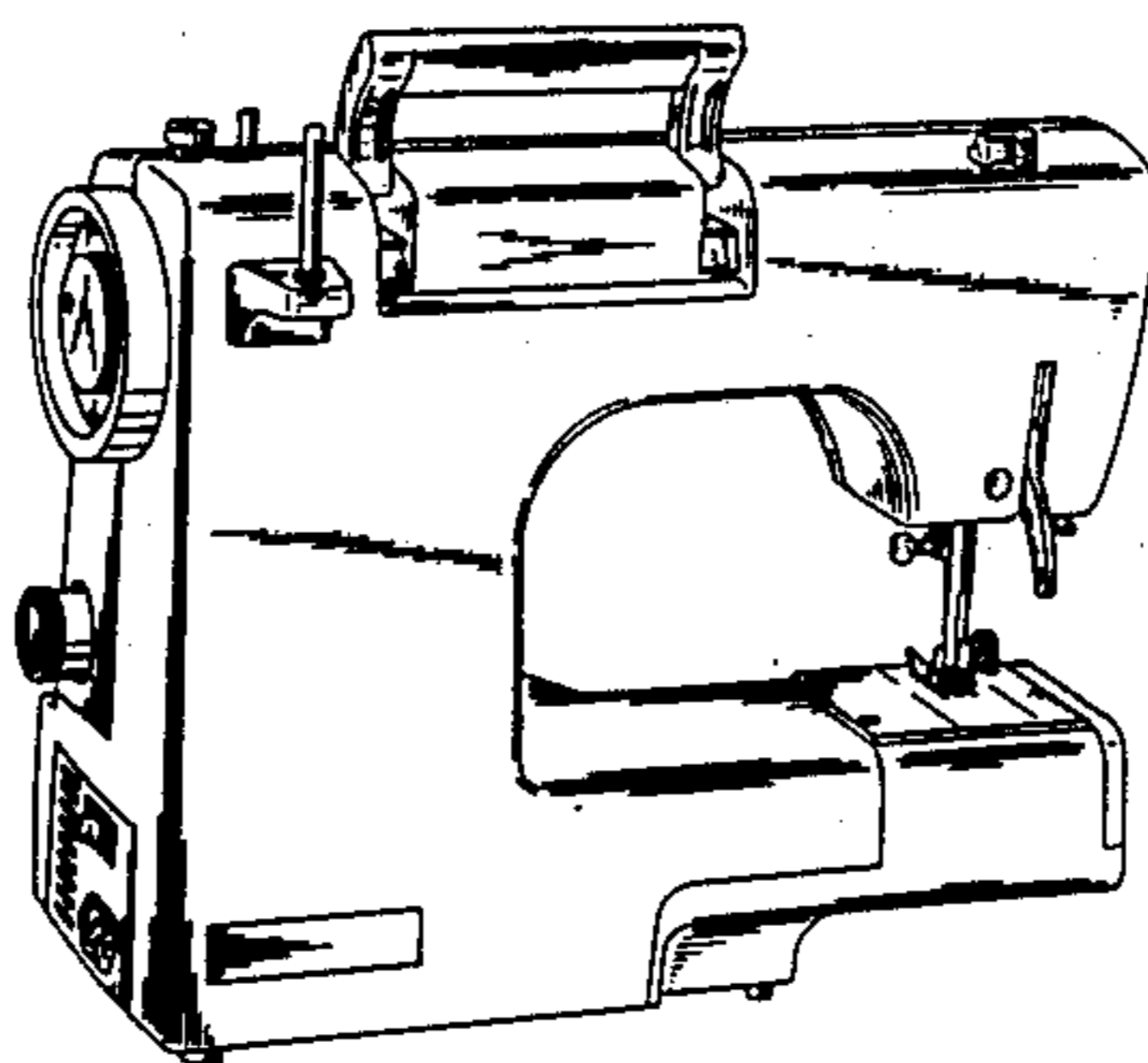
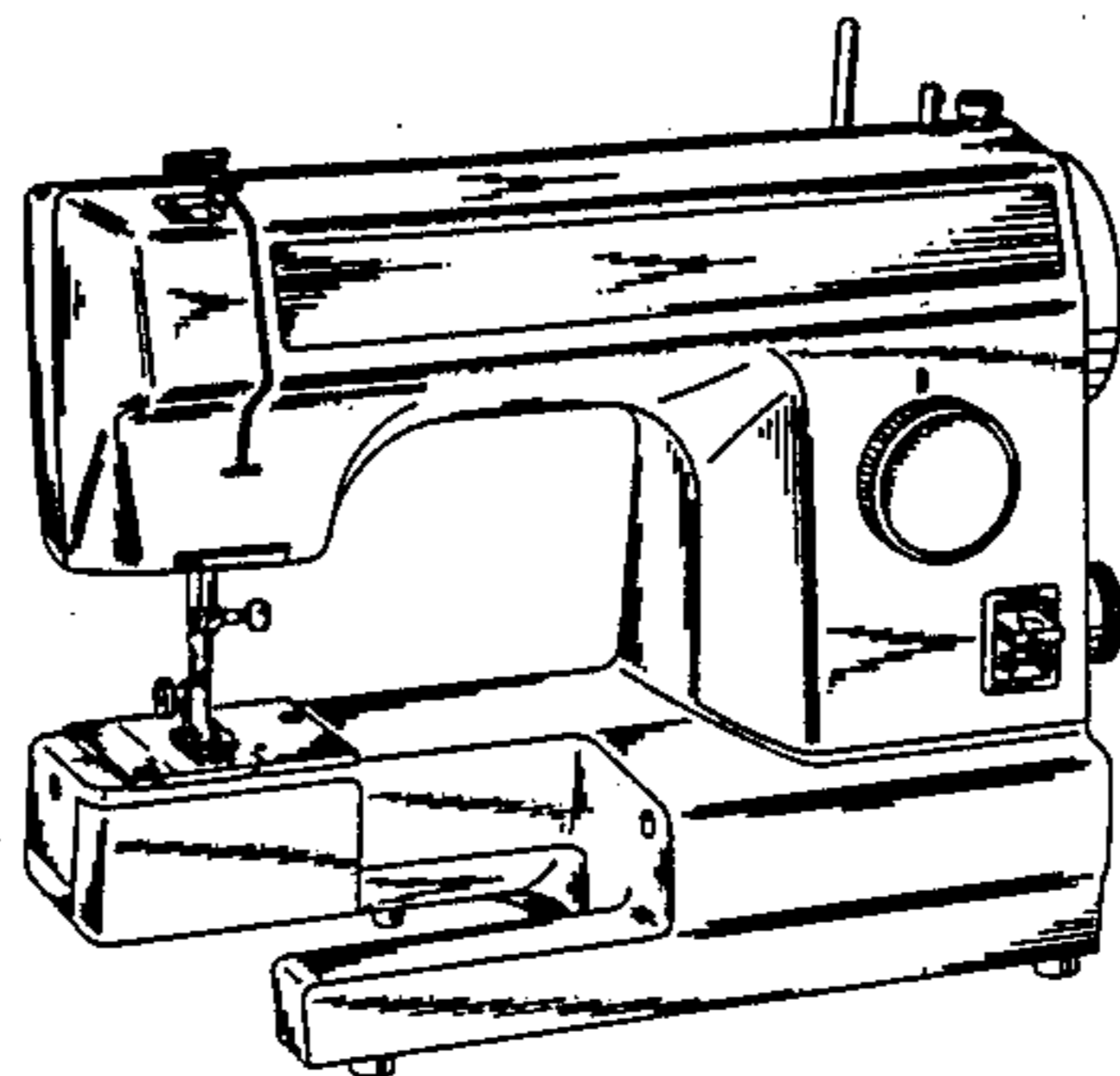
FIG. 4 is a rear view thereof;

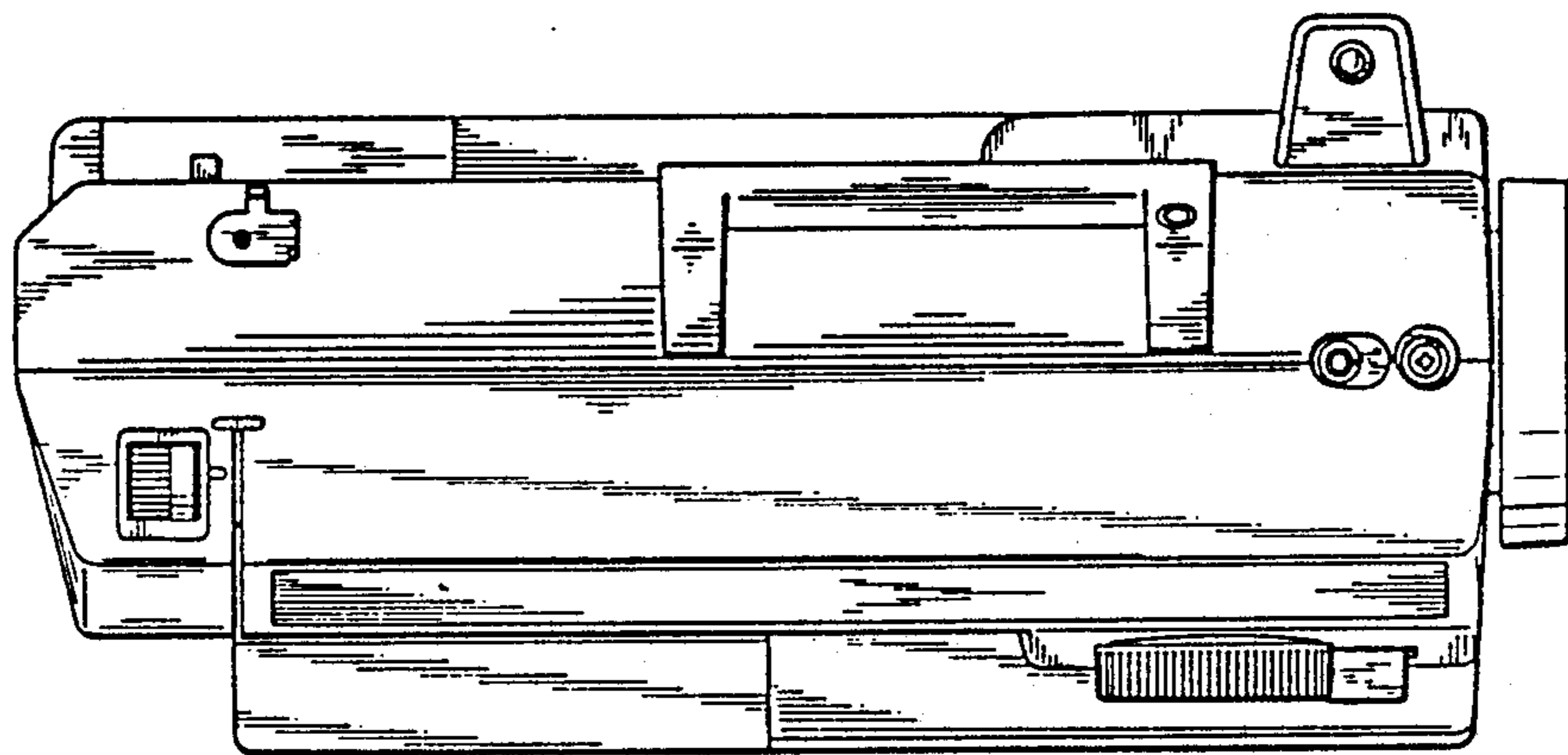
FIG. 5 is a left side view thereof;

FIG. 6 is a right side view thereof;

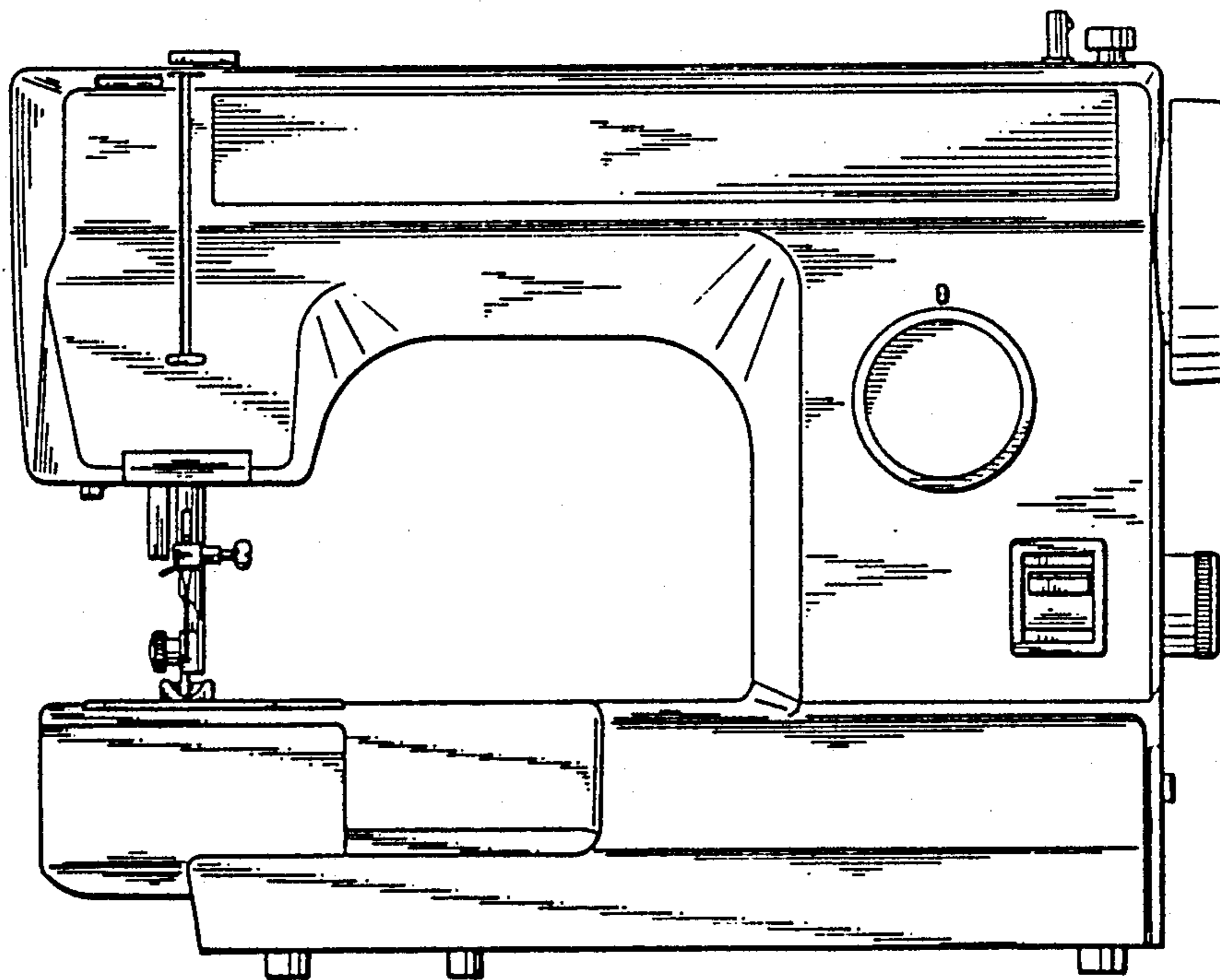
FIG. 7 is a front perspective view thereof;

FIG. 8 is a rear perspective view thereof, the handle shown in an alternate position.





*Fig. 1.*



*Fig. 2.*

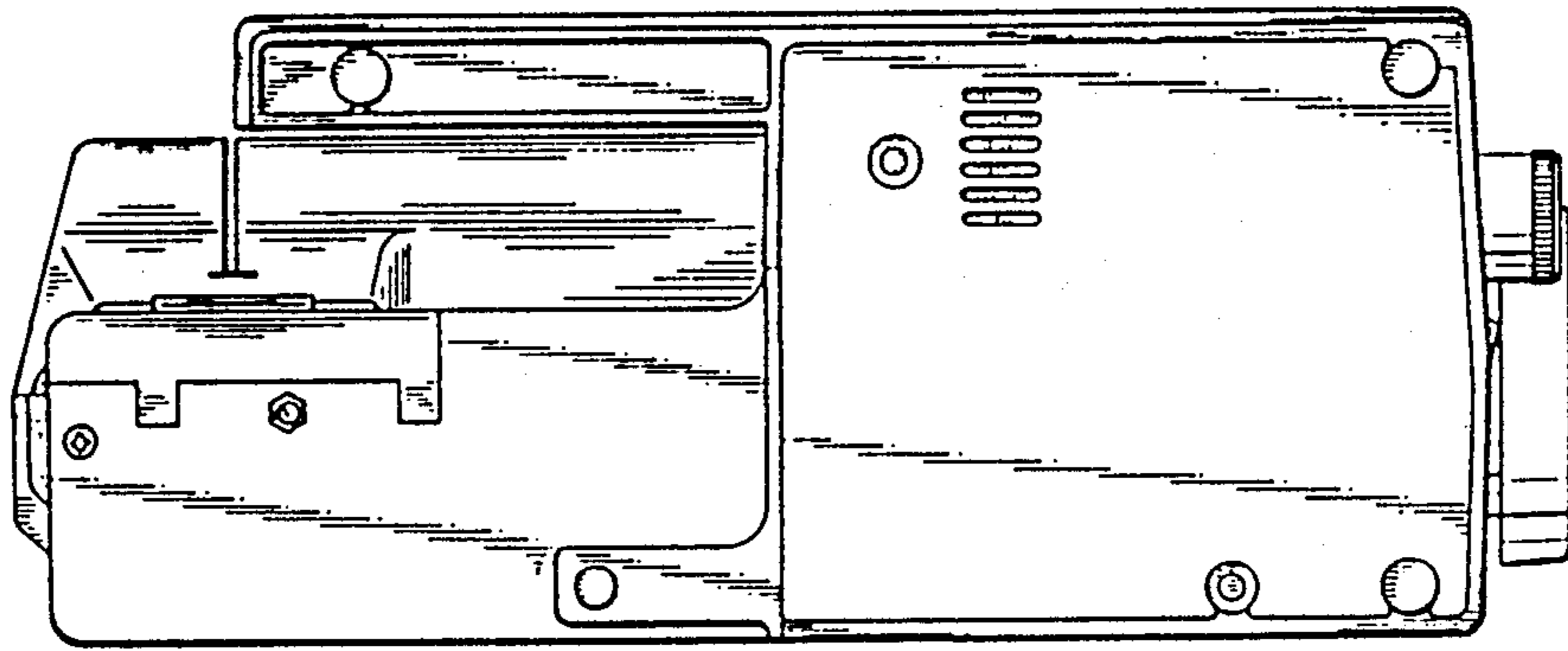


Fig. 3.

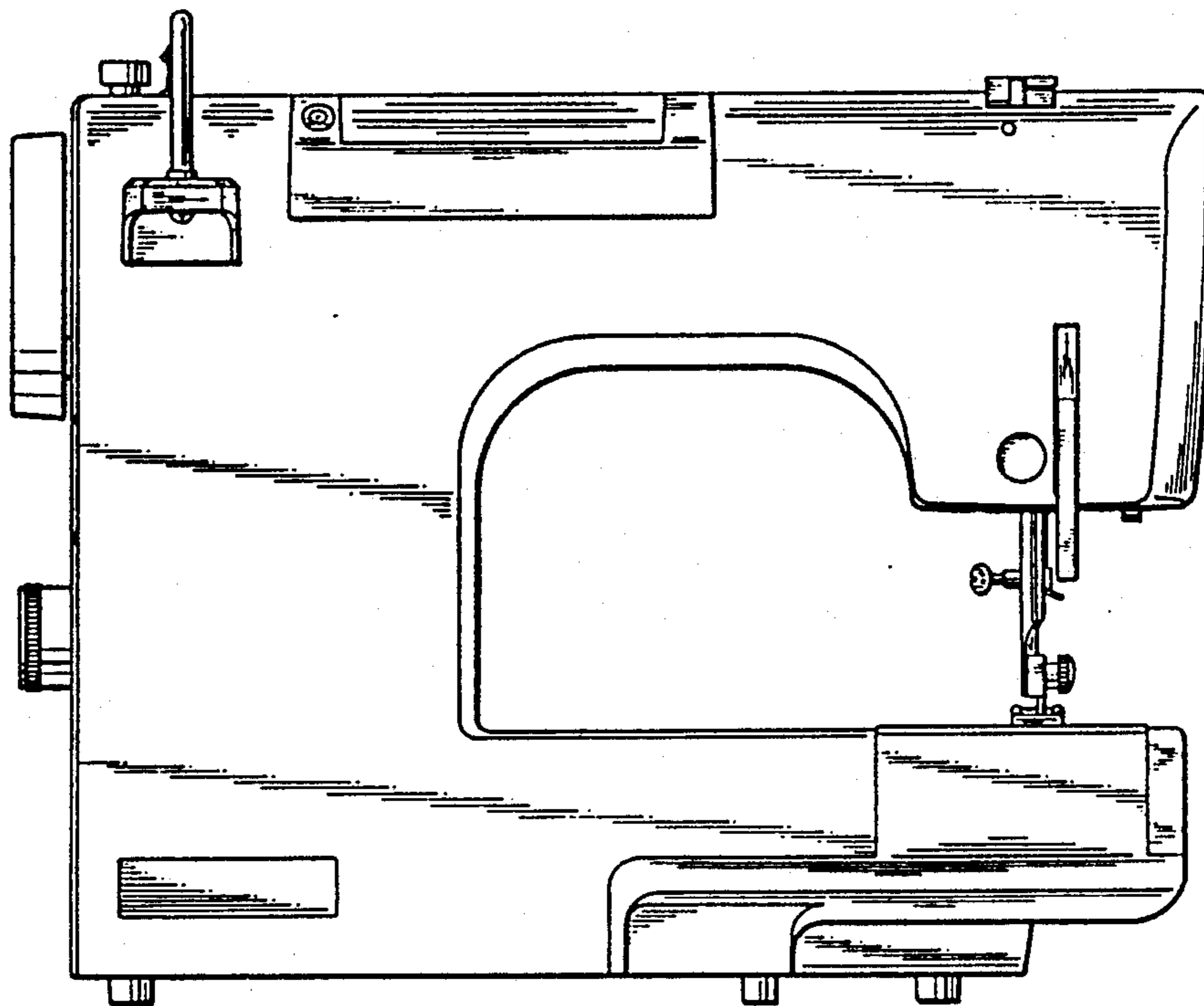
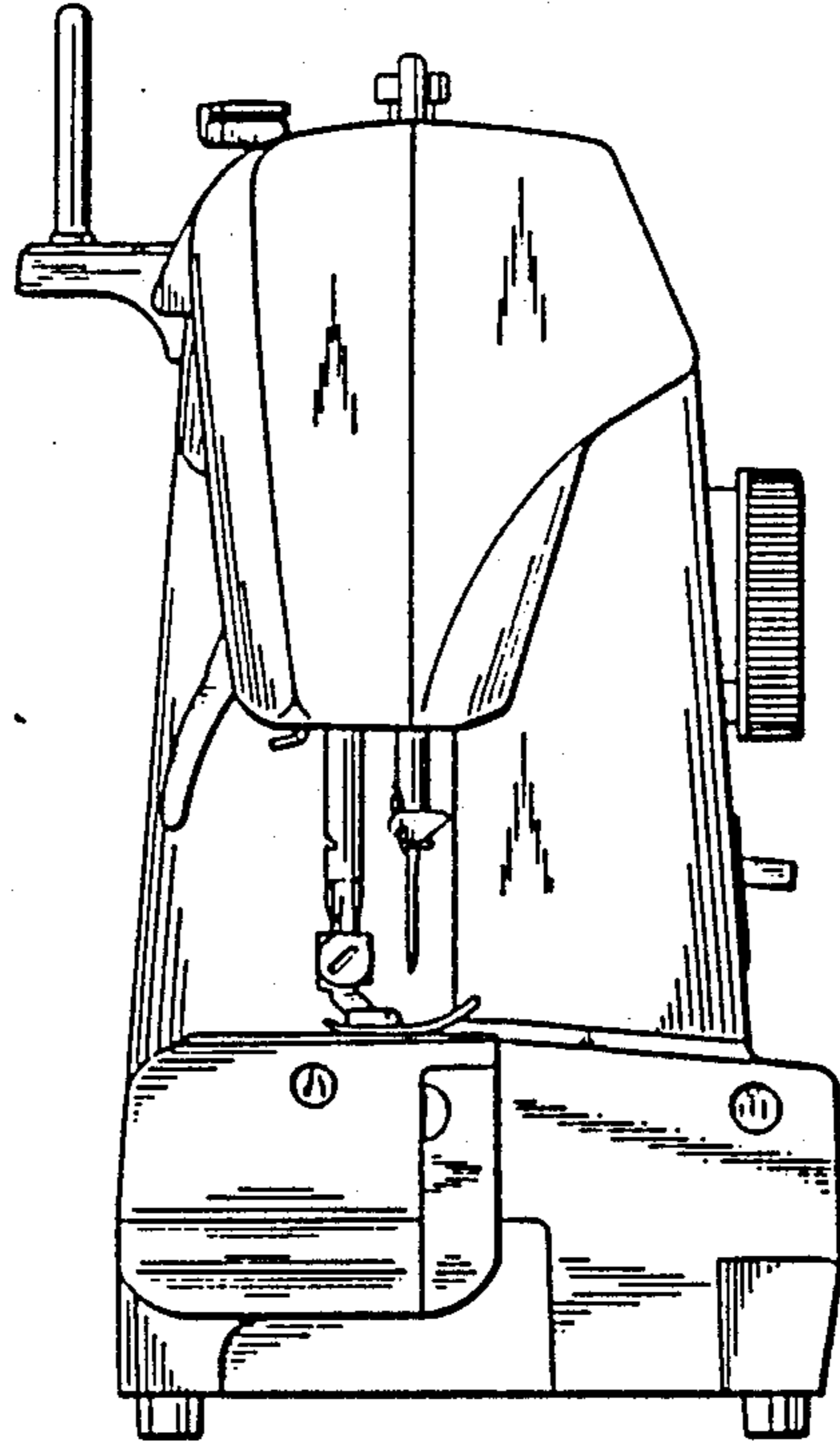
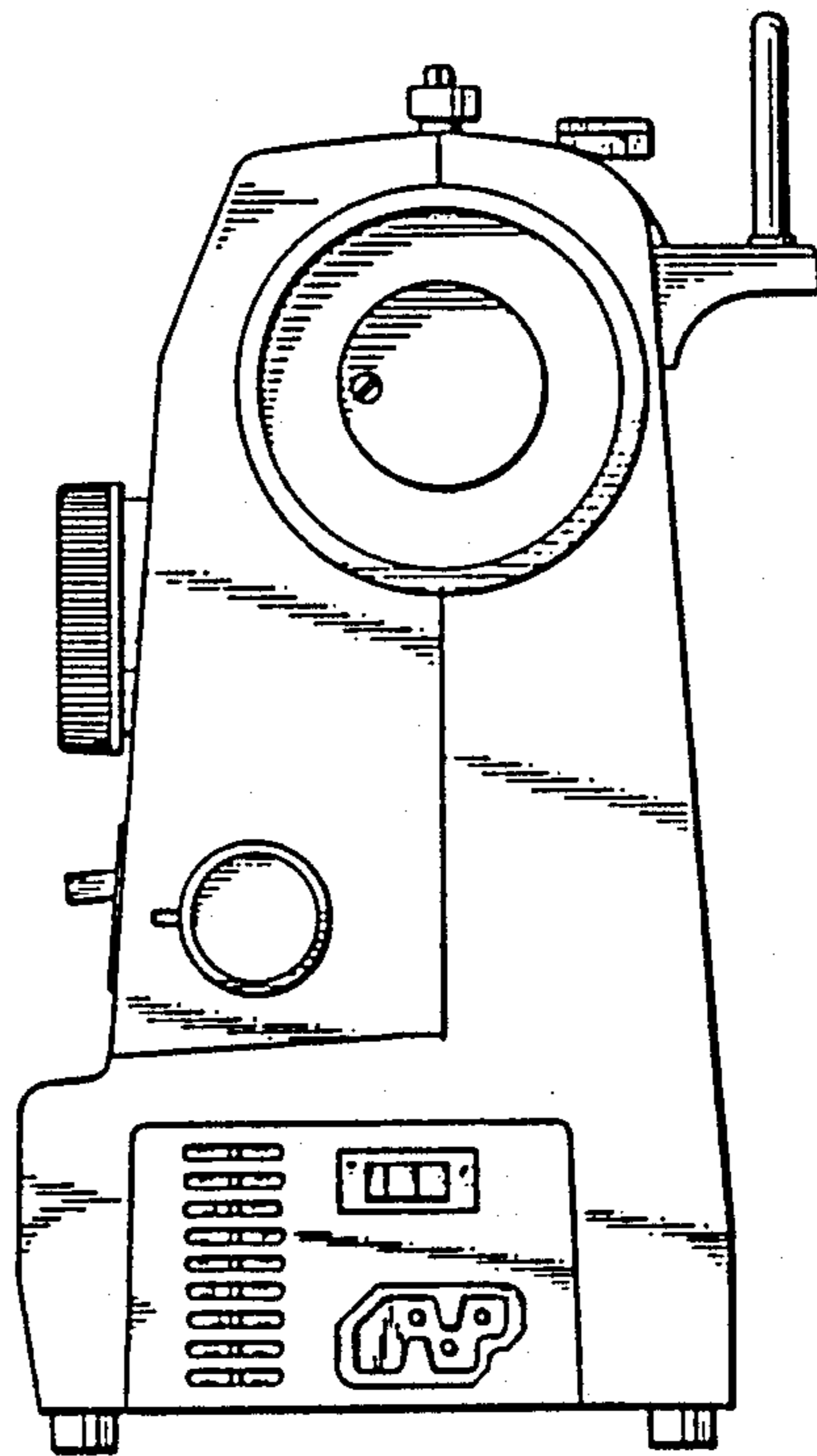


Fig. 4.



*Fig. 5.*



*Fig. 6.*

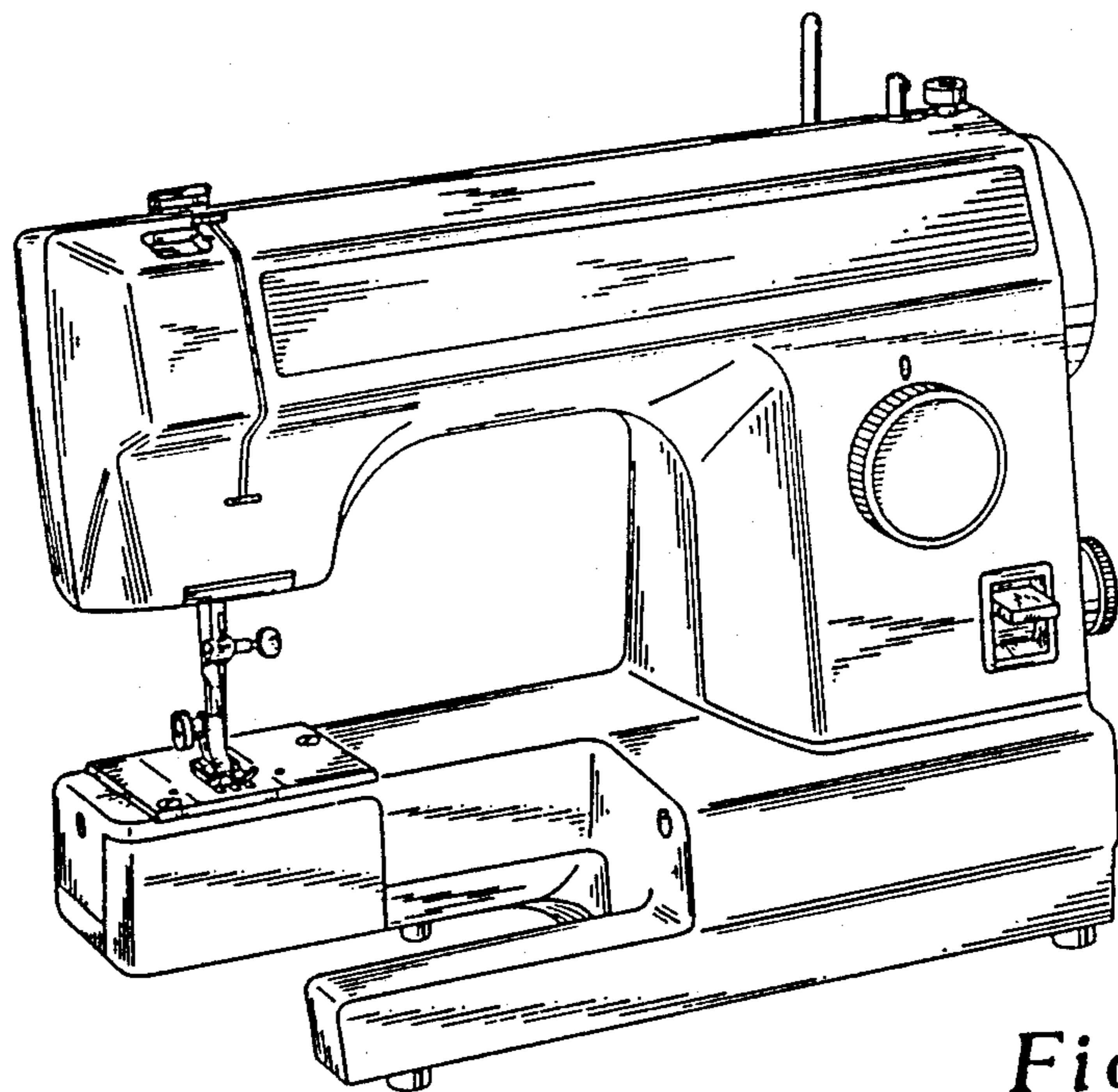


Fig. 7.

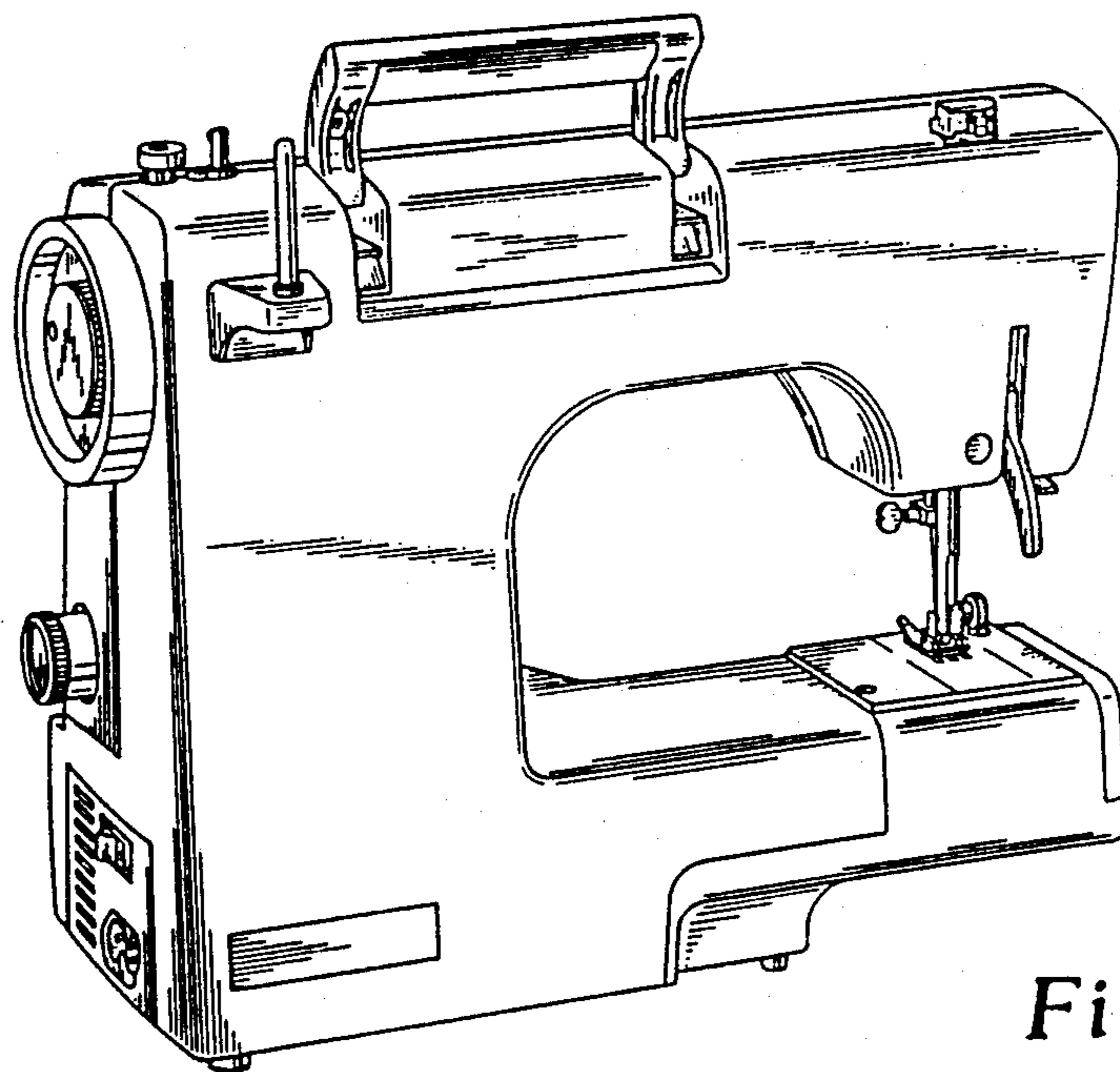


Fig. 8.