

[54] ADJUSTABLE OFFSET DISC HARROW FRAME

[75] Inventor: Thomas I. Burenga, Litchfield, Ill.

[73] Assignee: Worksaver, Inc., Litchfield, Ill.

[**] Term: 14 Years

[21] Appl. No.: 120,805

[22] Filed: Nov. 16, 1987

[52] U.S. Cl. D15/11; D15/27

[58] Field of Search D15/11, 12, 27, 28, D15/32, 33; 171/71, 80; 172/581, 595

[56] References Cited

U.S. PATENT DOCUMENTS

3,730,280 5/1973 Oelschlaeger 172/595
4,552,224 11/1985 Luscombe 172/595

FOREIGN PATENT DOCUMENTS

0192917 9/1986 European Pat. Off. 172/595

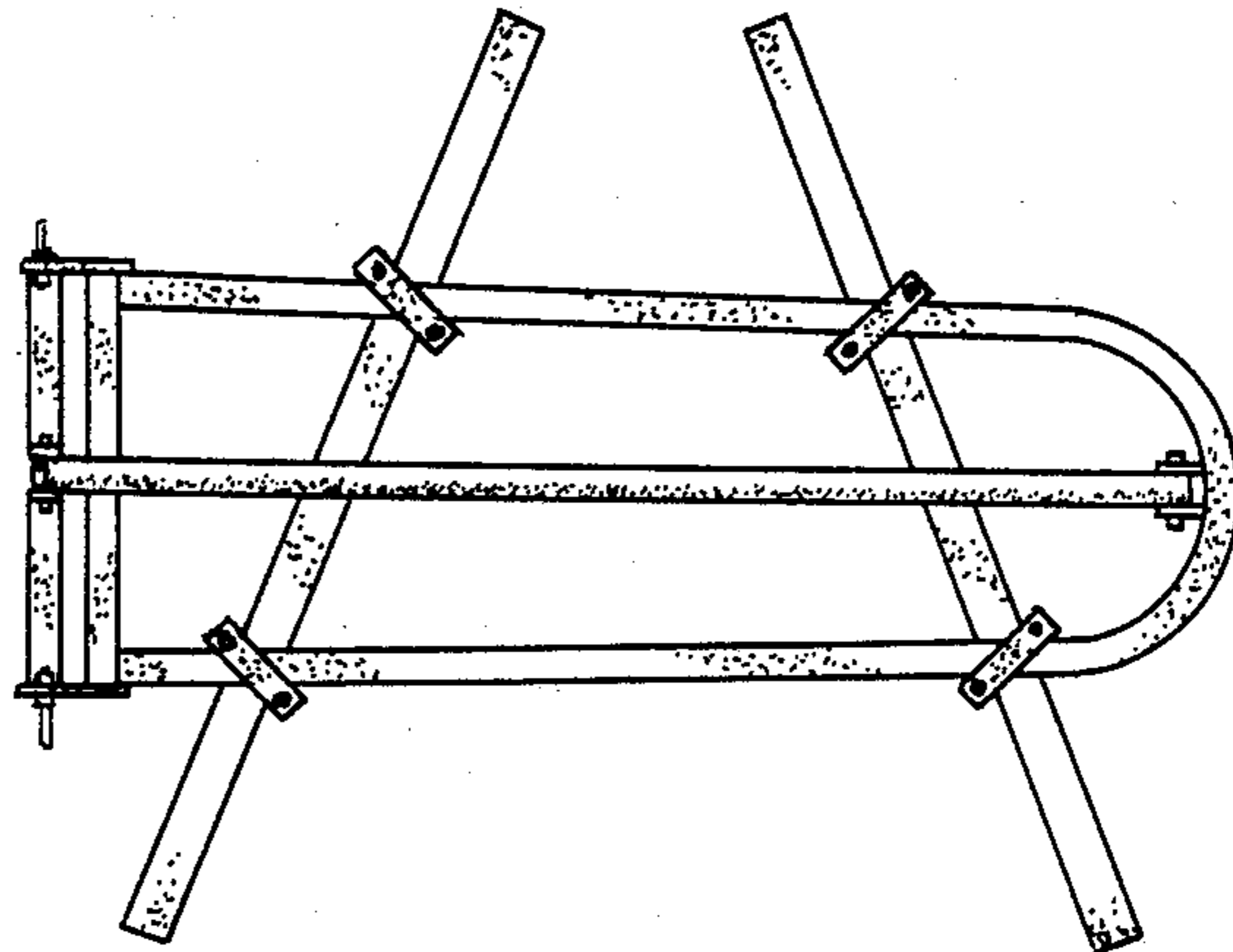
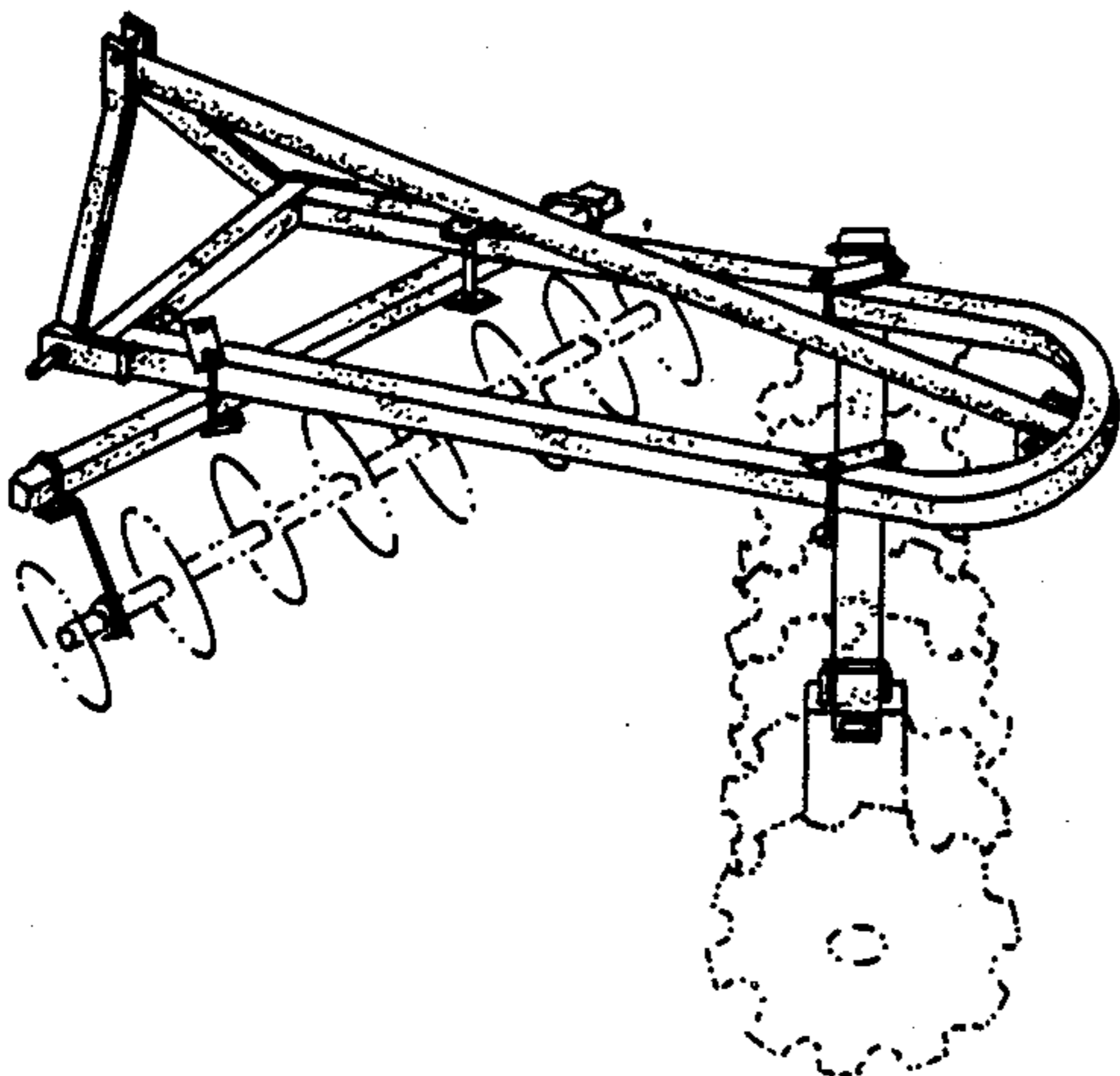
Primary Examiner—B. J. Bullock
Assistant Examiner—Sandra Morris
Attorney, Agent, or Firm—Paul M. Denk

[57] CLAIM

The ornamental design for an adjustable offset disc harrow frame, as shown and described.

DESCRIPTION

FIG. 1 is a perspective view of an adjustable offset disc harrow frame showing my new design, the broken lines showing the installed harrow disc are for illustrative purposes only and form no part of the claimed design; FIG. 2 is a top view thereof; FIG. 3 is a bottom view thereof; FIG. 4 is a left side view thereof; FIG. 5 is a right side view thereof; FIG. 6 is a front view thereof; FIG. 7 is a back view thereof; FIG. 8 is a top view thereof, the support shown in a modified position.



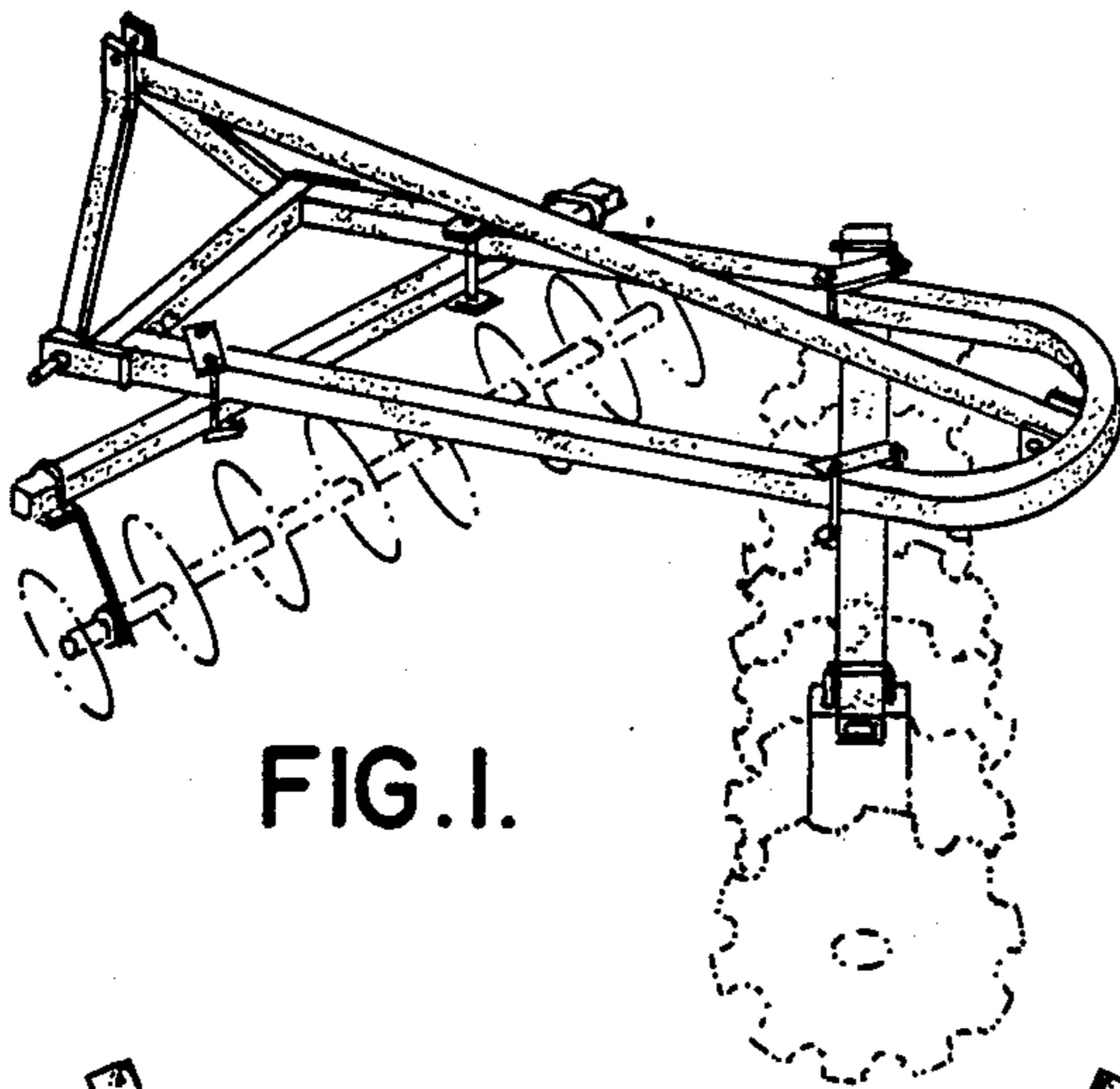


FIG. 1.

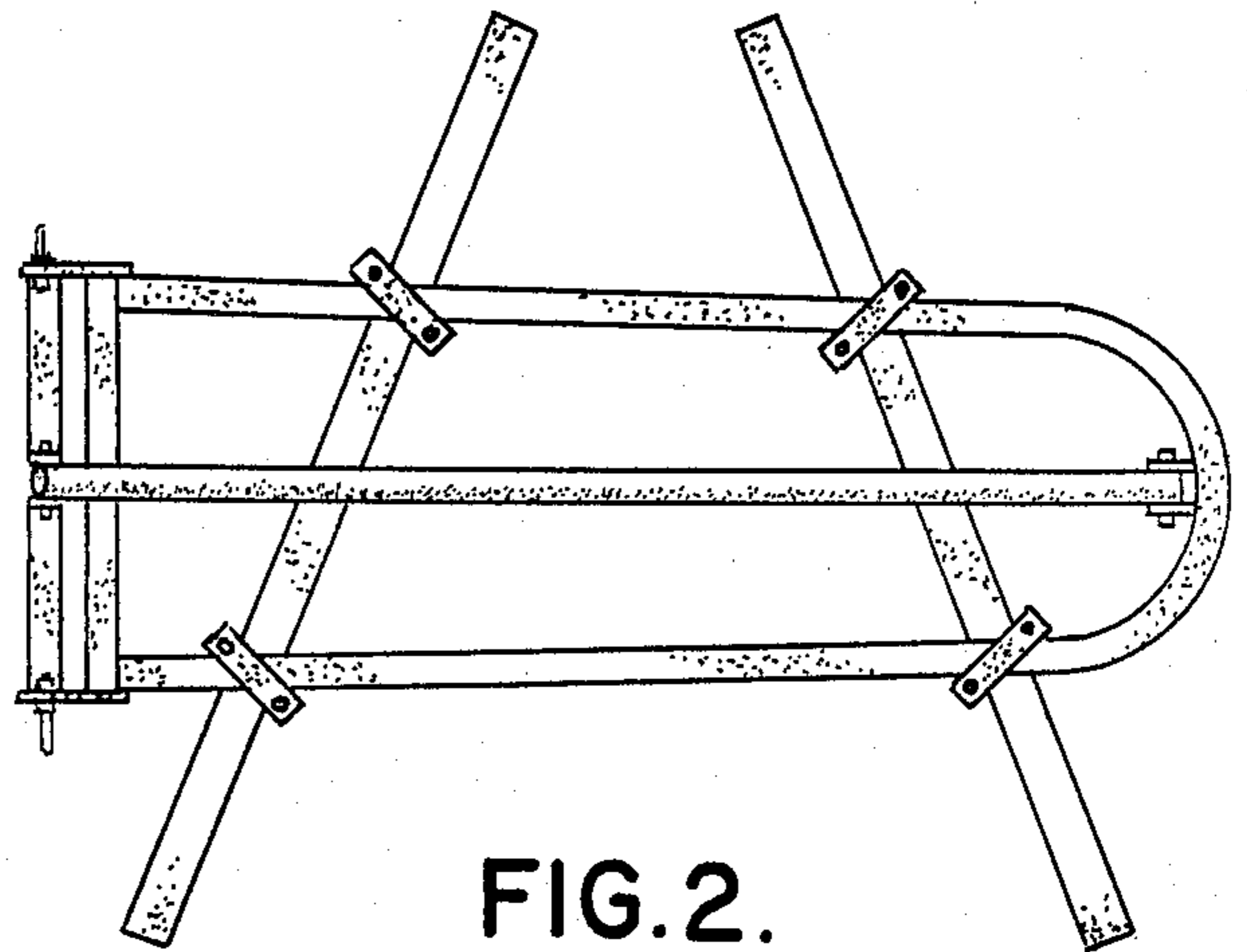


FIG. 2.

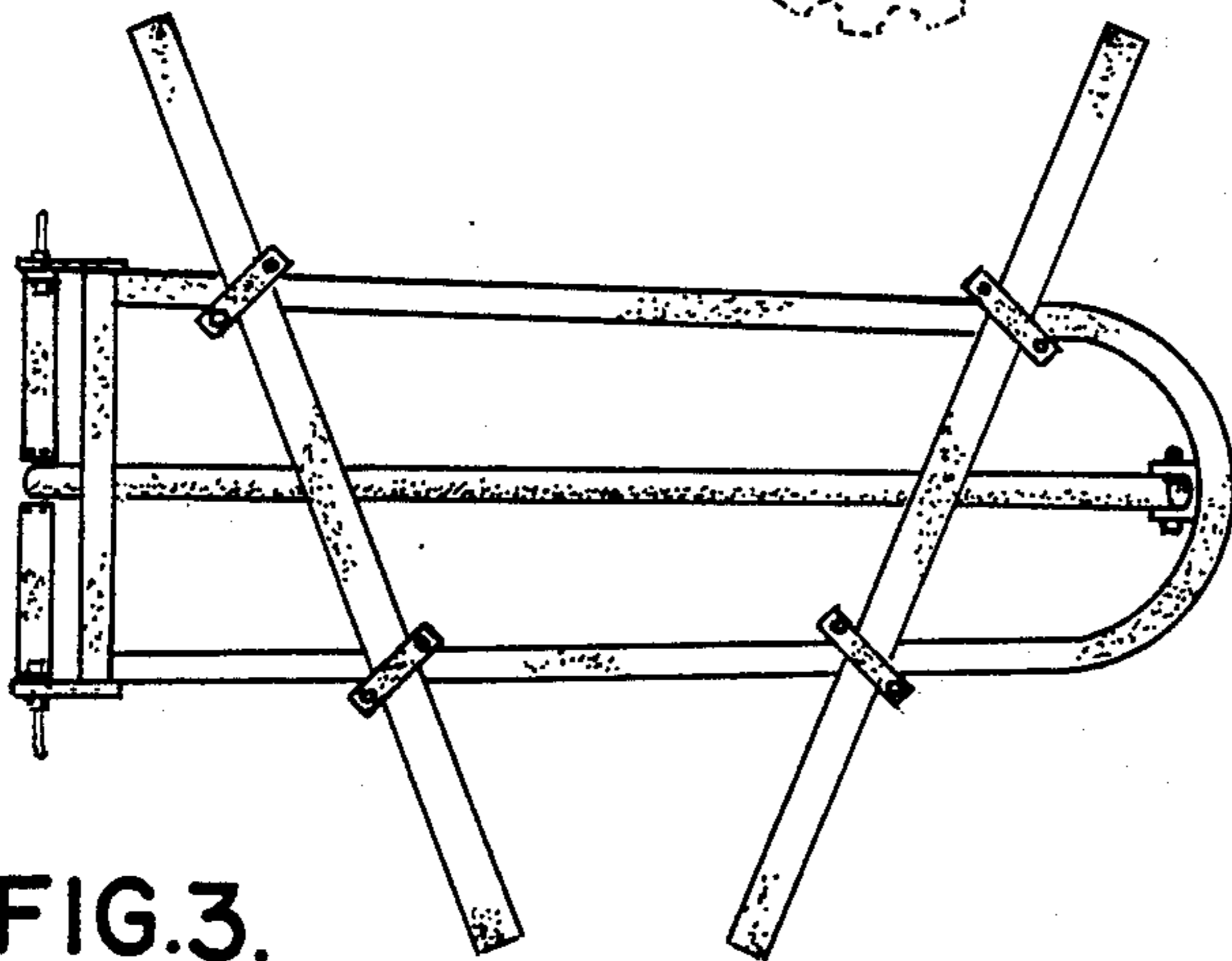


FIG. 3.

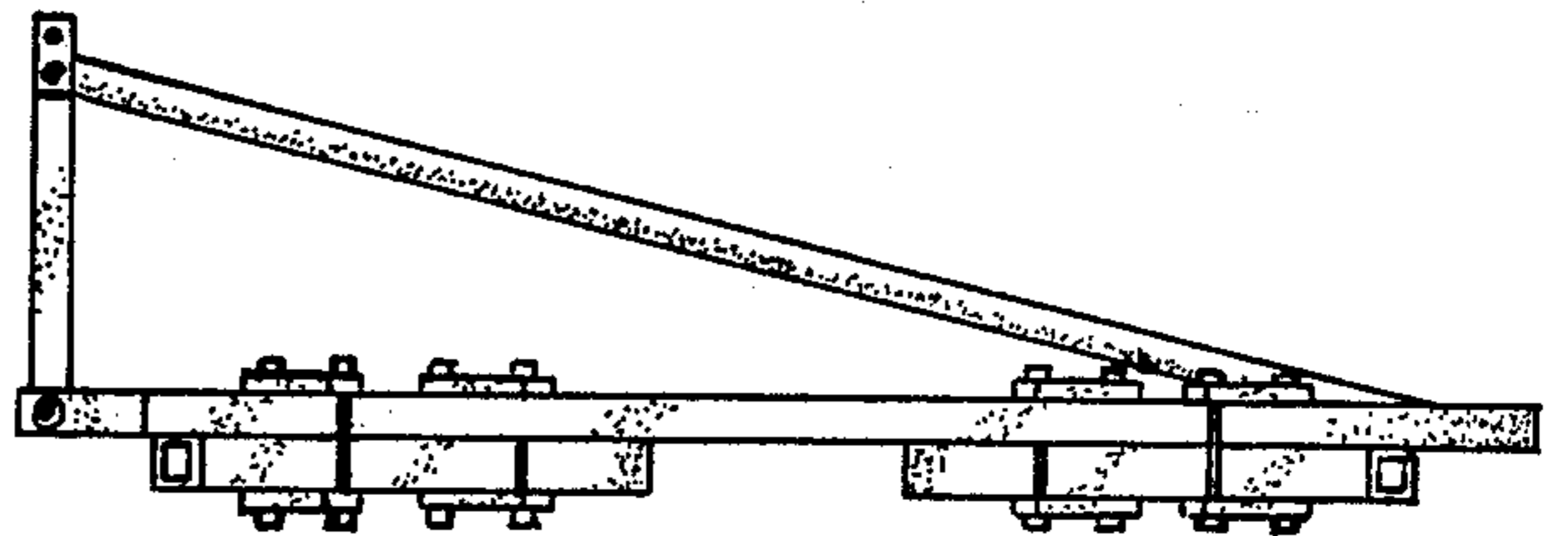


FIG. 4.

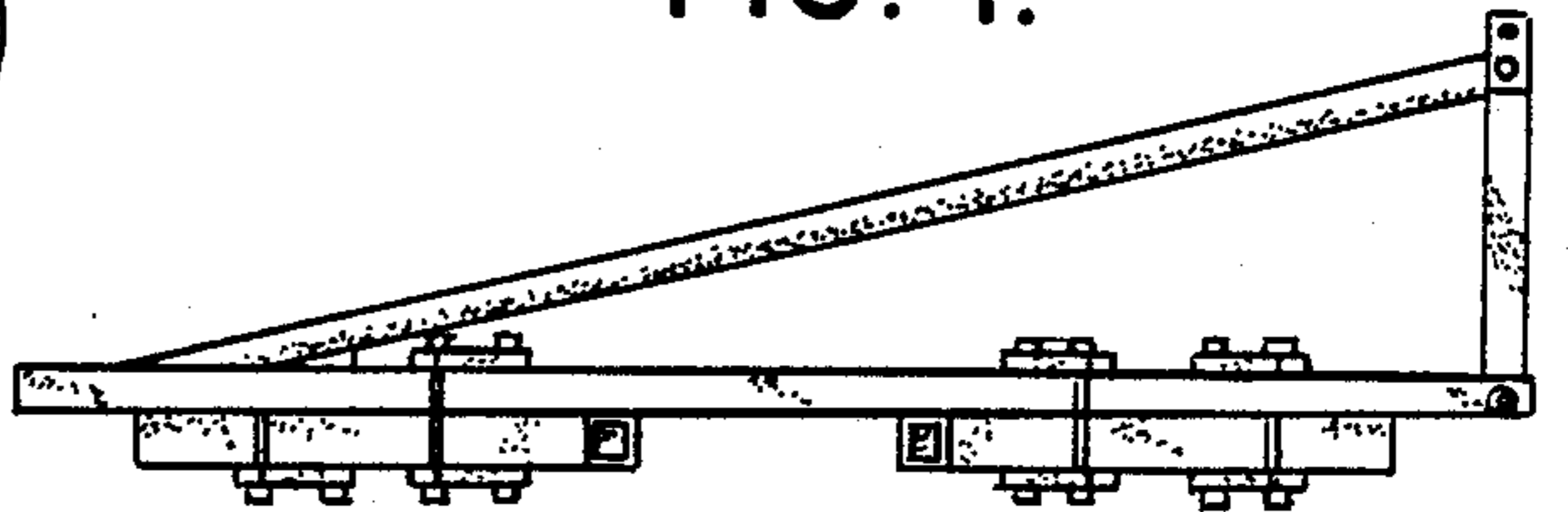


FIG. 5.

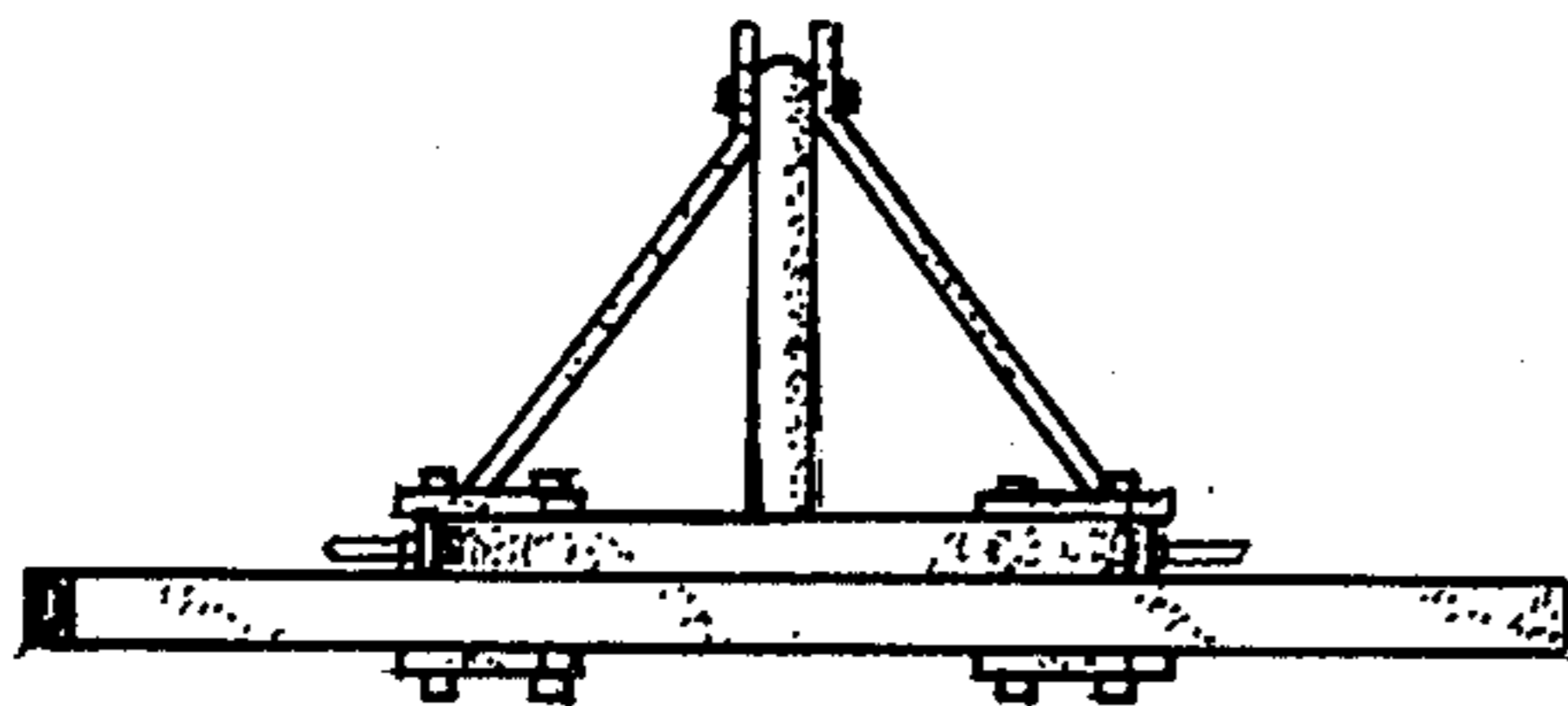


FIG. 6.

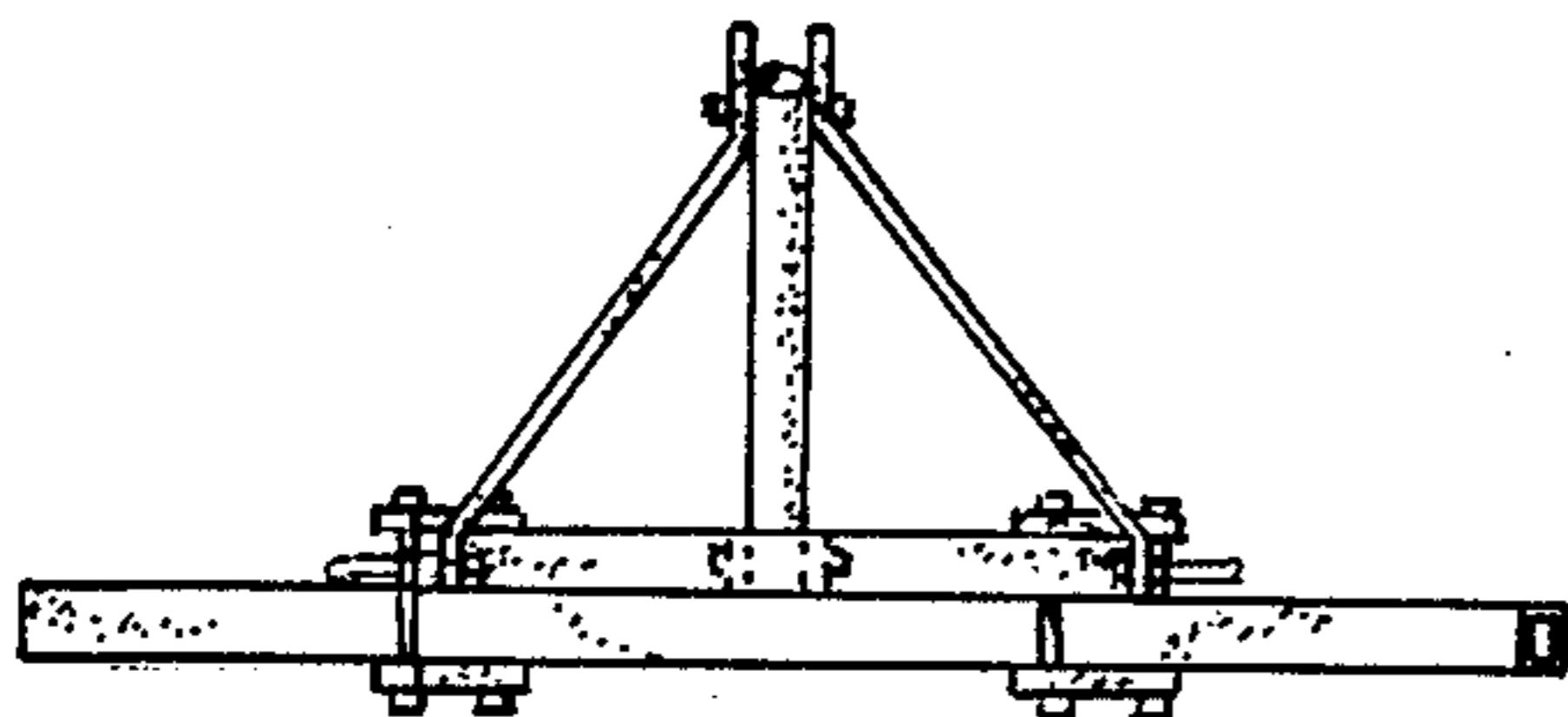


FIG. 7.

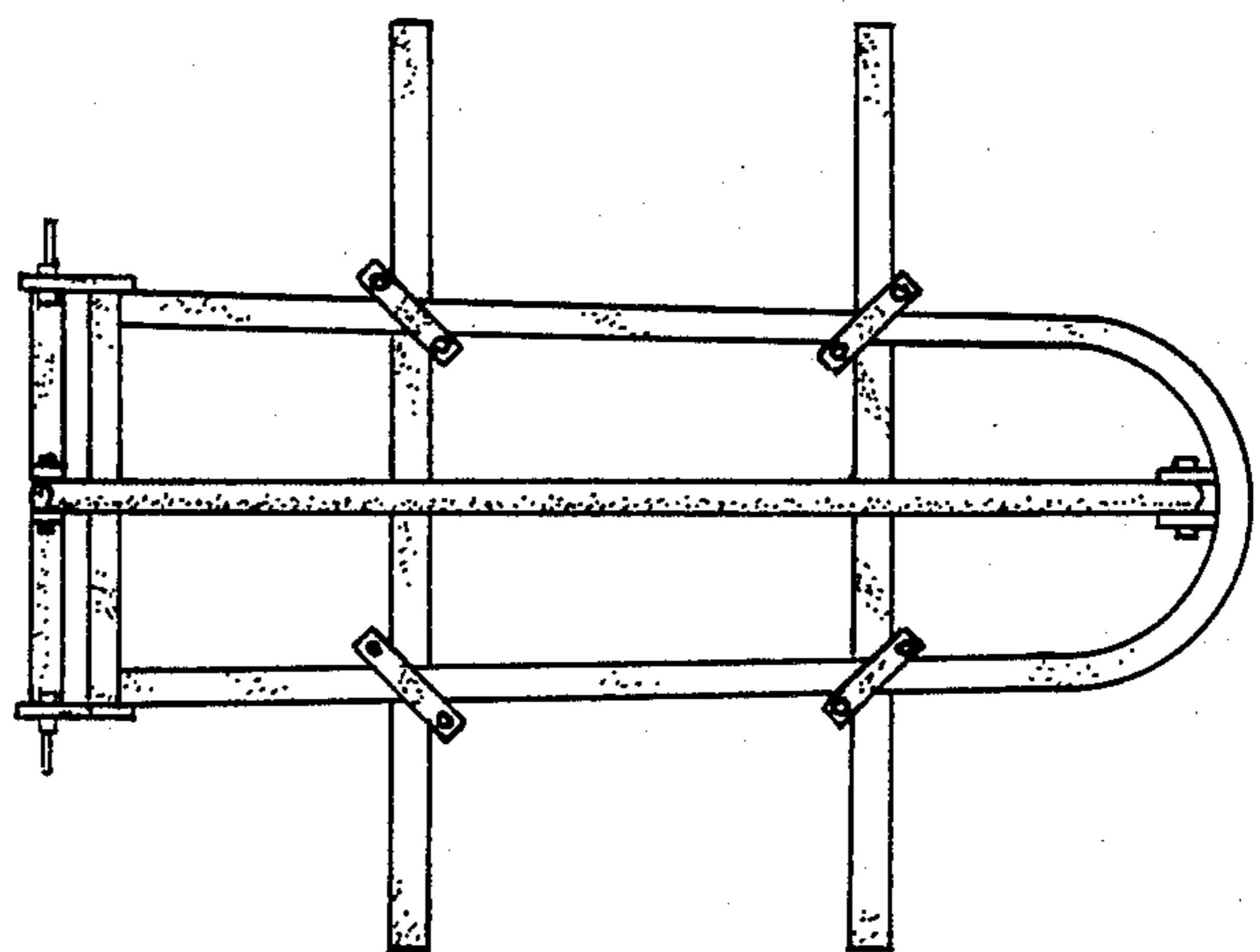


FIG. 8.