

[54] COMBINED TAPE RECORDER AND RADIO

[75] Inventor: Makoto Takimoto, Osaka, Japan

[73] Assignee: Sharp Corporation, Osaka, Japan

[\*\*] Term: 14 Years

[21] Appl. No.: 247,092

[22] Filed: Sep. 20, 1988

[30] Foreign Application Priority Data

Mar. 22, 1988 [JP] Japan ..... 63-11582

[52] U.S. Cl. .... D14/163; D14/168

[58] Field of Search ..... D14/154, 160-168, D14/188, 192; 455/344, 350, 351

[56] References Cited

U.S. PATENT DOCUMENTS

- D. 274,722 7/1984 Mishiro et al. .... D14/163
- D. 297,833 9/1988 Kawabe et al. .... D14/163
- D. 305,763 1/1990 Matsuo et al. .... D14/163

OTHER PUBLICATIONS

HFD; 04/21/86; p. 157; top—Sharp Model WQ-T282.

Primary Examiner—Theodore M. Shooman  
Attorney, Agent, or Firm—Flehr, Hohbach, Test,  
Albritton & Herbert

[57] CLAIM

The ornamental design for a combined tape recorder and radio, as shown and described.

DESCRIPTION

FIG. 1 is a top, front and right side perspective view of a combined tape recorder and radio showing my new design, with the tape compartment door in an open position;

FIG. 2 is a front elevational view thereof;

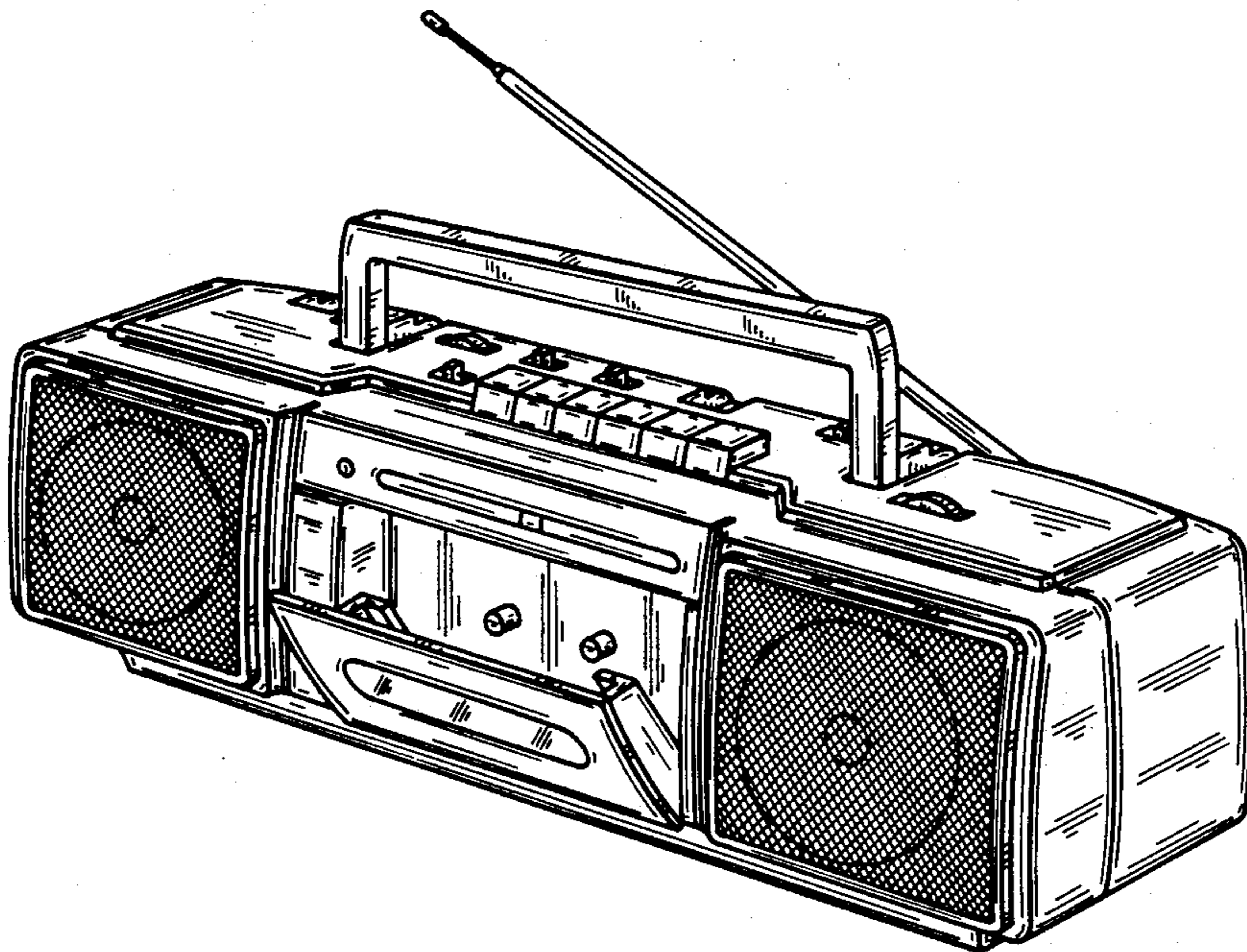
FIG. 3 is a rear elevational view thereof;

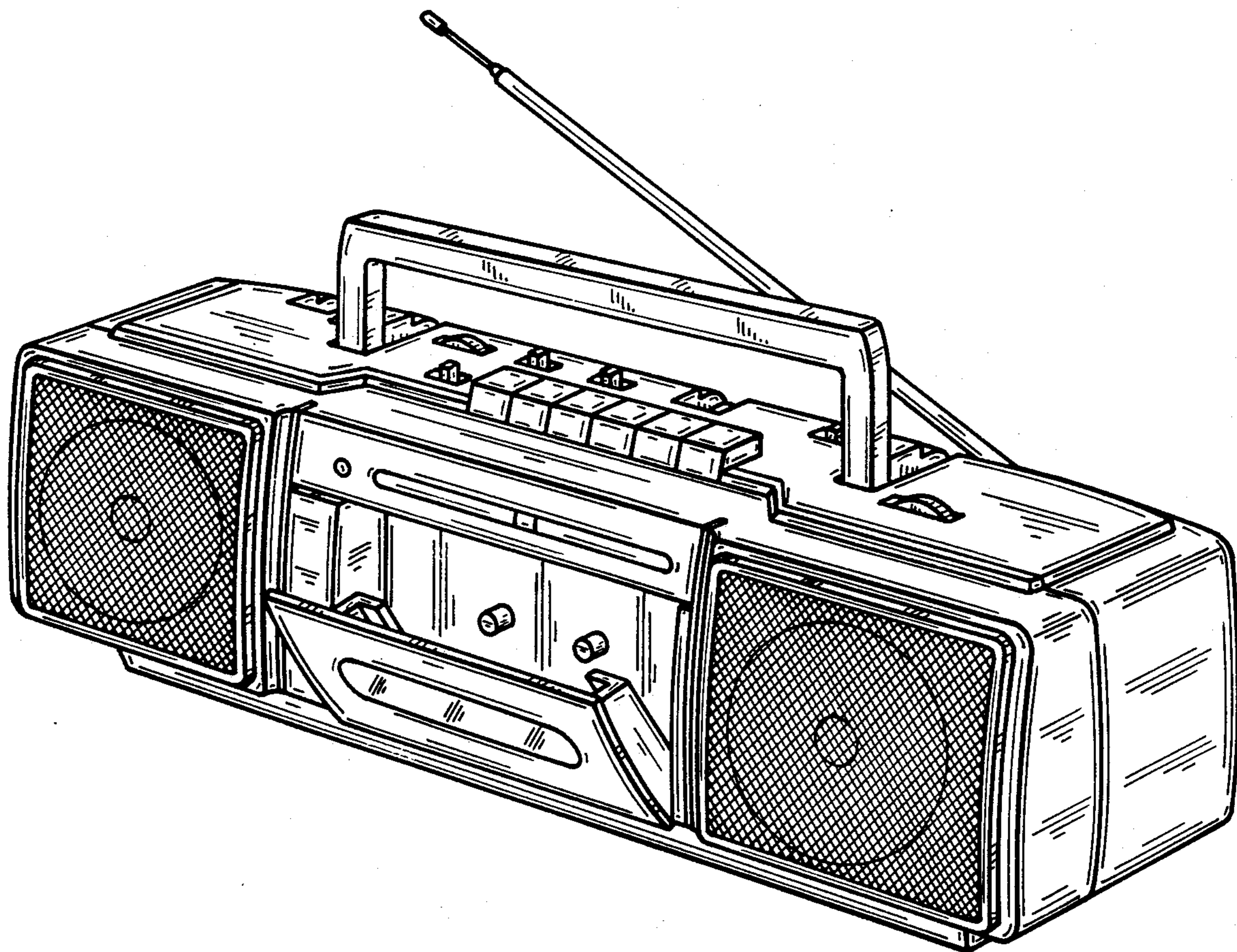
FIG. 4 is a top plan view thereof;

FIG. 5 is a bottom plan view thereof;

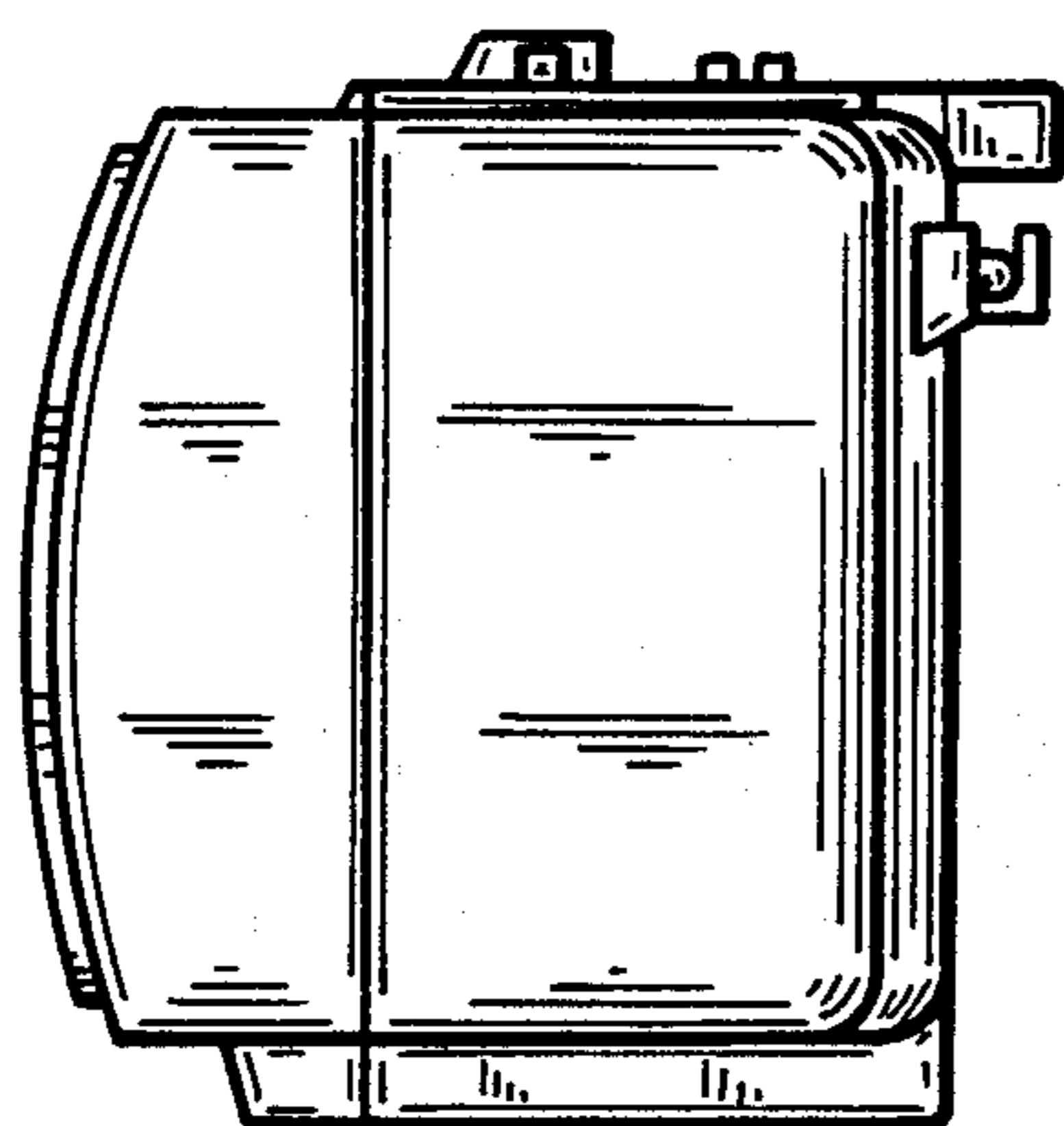
FIG. 6 is a right side elevational view thereof; and

FIG. 7 is a left side elevational view thereof.

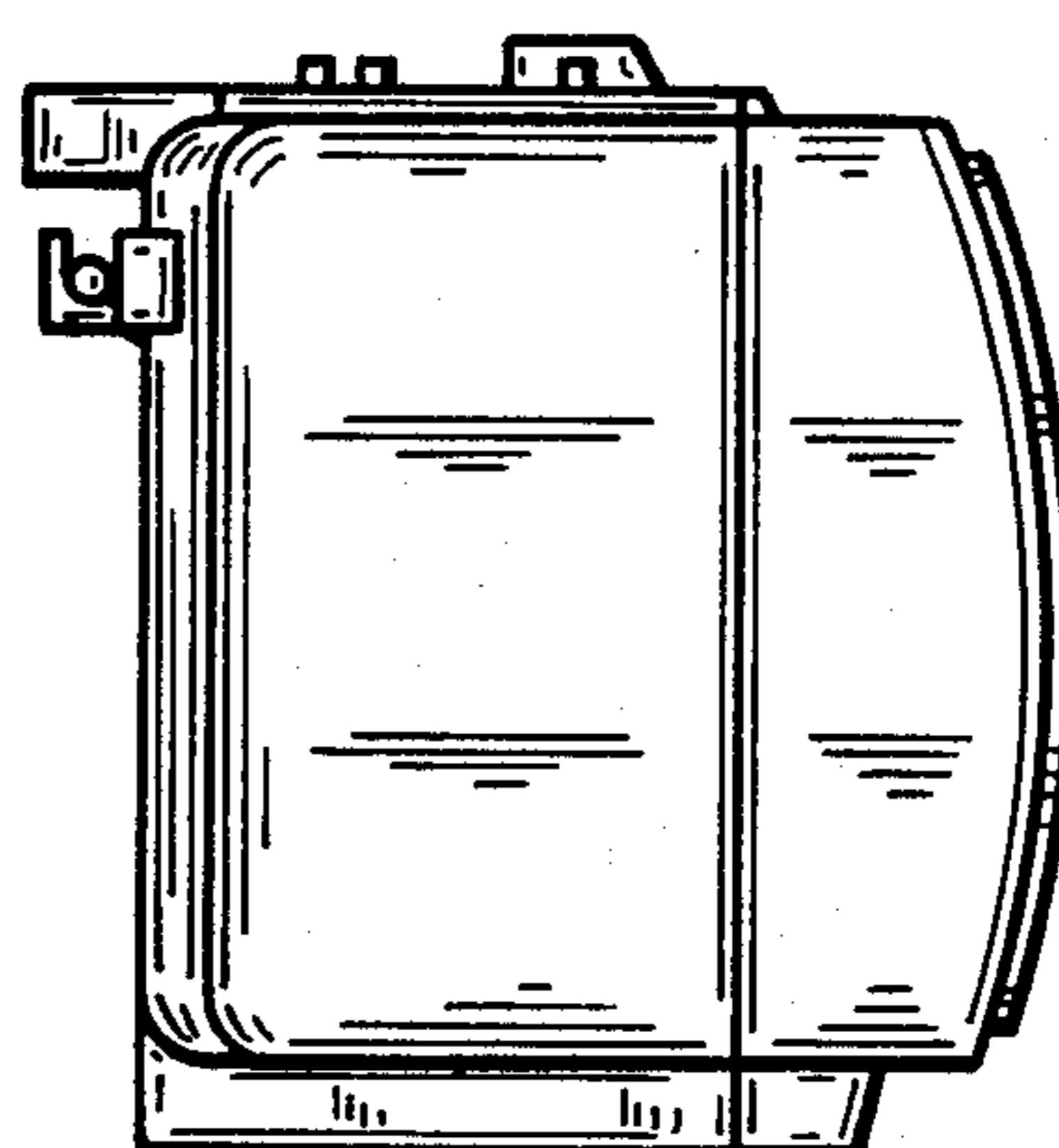




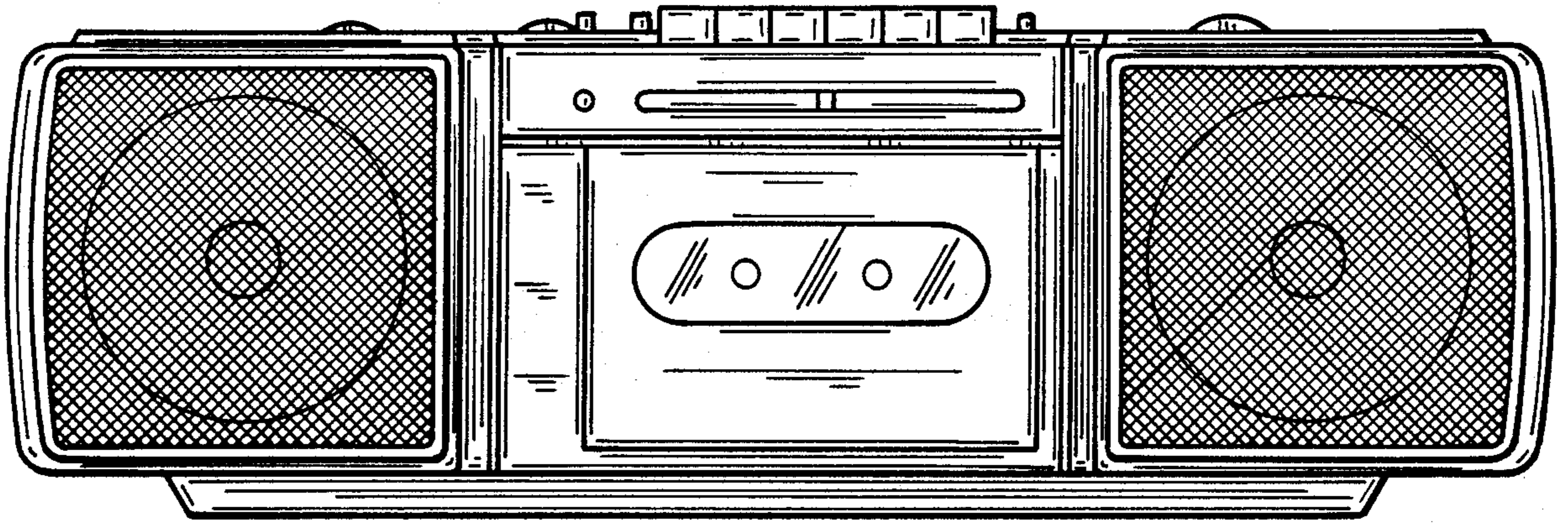
**FIG\_1**



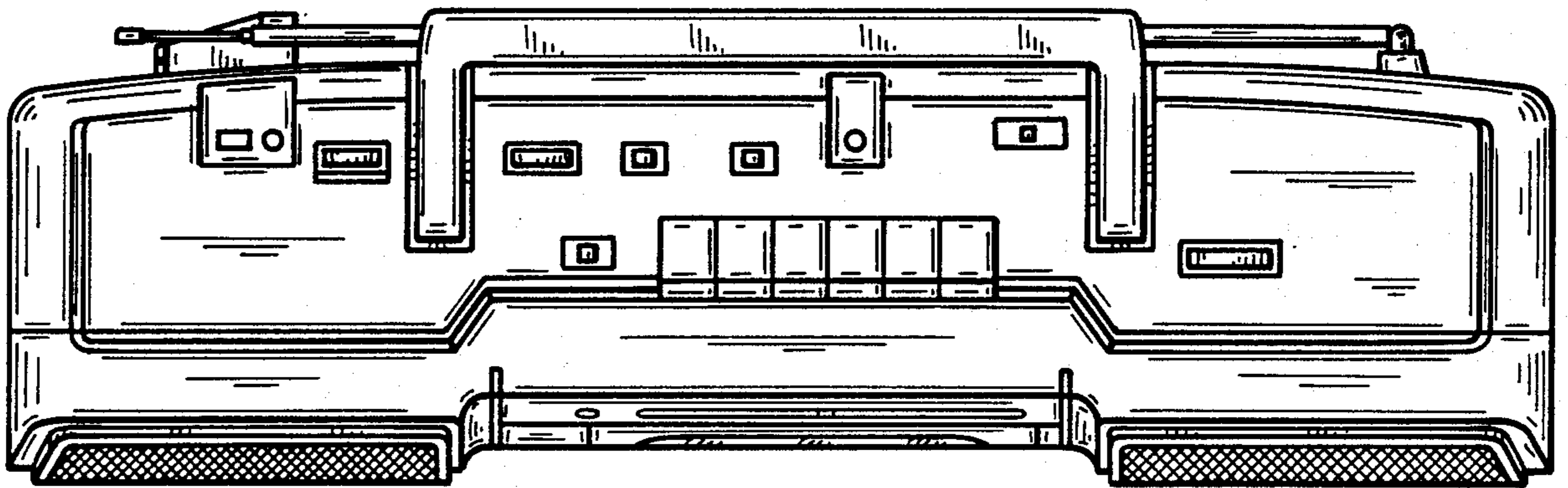
**FIG\_6**



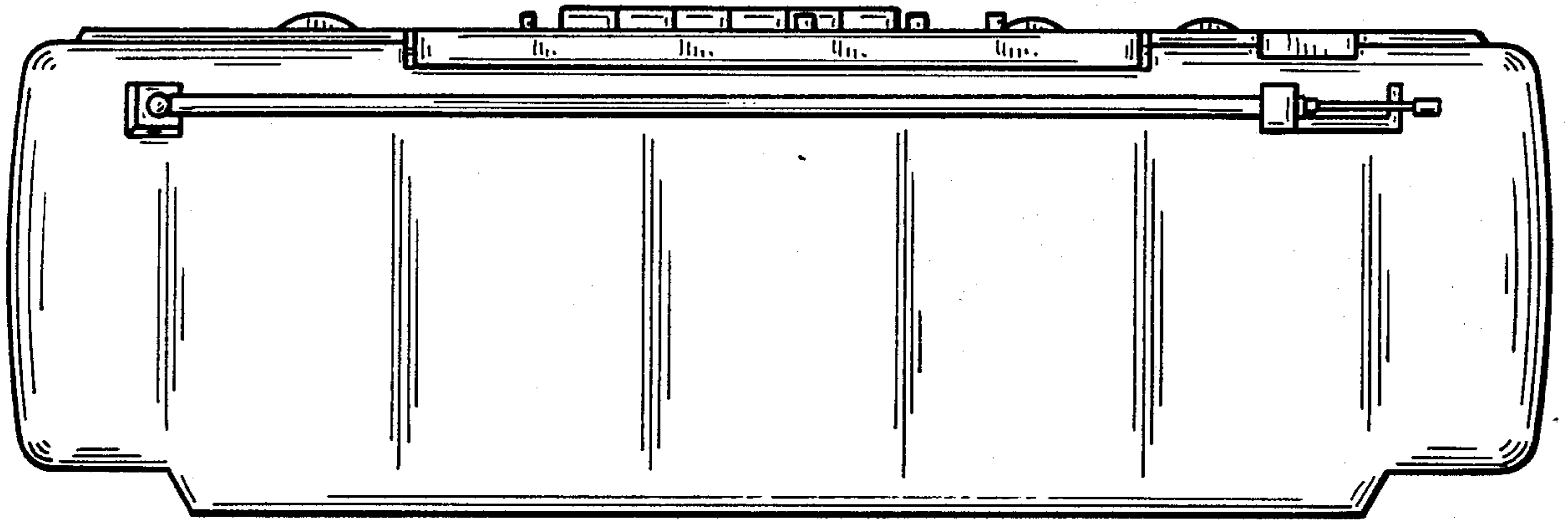
**FIG\_7**



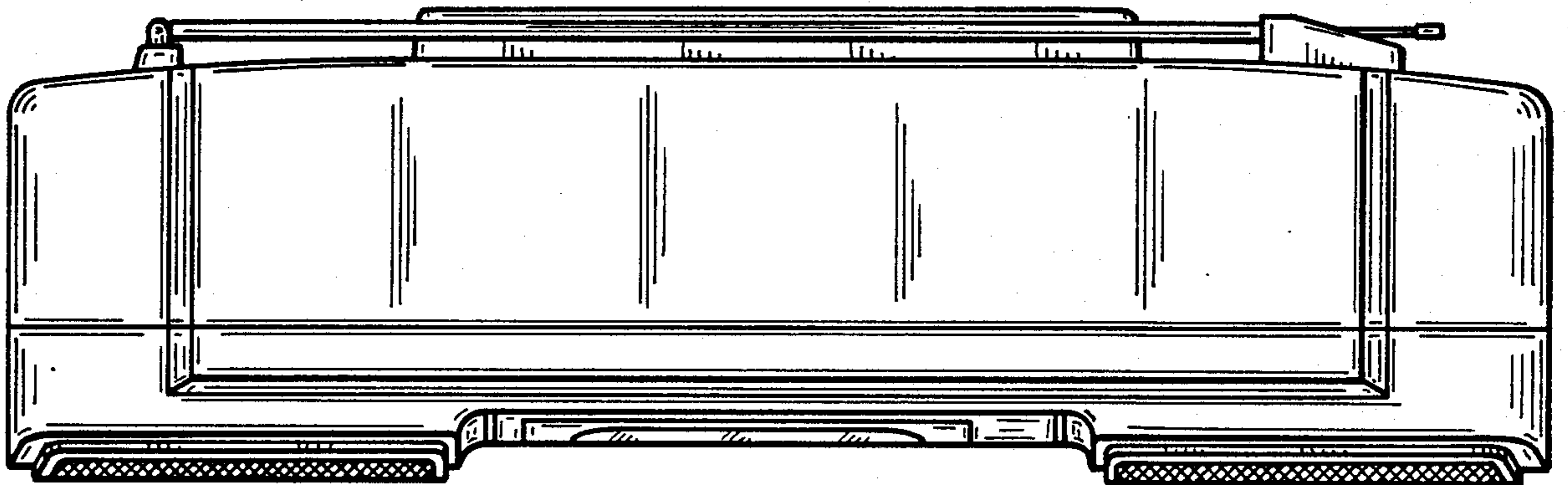
*FIG\_2*



*FIG\_4*



*FIG\_3*



*FIG\_5*