

[54] MOUNTING BRACKET FOR A COMPACT OPTICAL SCANNER

[75] Inventor: Theodore H. Schorr, Eugene, Oreg.

[73] Assignee: Spectra-Physics, Inc., San Jose, Calif.

[**] Term: 14 Years

[21] Appl. No.: 293,865

[22] Filed: Jan. 5, 1989

[52] U.S. CL. D14/114; D14/107

[58] Field of Search D14/100, 114, 116; D8/373, 380, 381, 382; 235/435, 440, 462, 467, 470-473, 482, 484, 61 E, 486, 383; 250/203 R, 216, 556, 568; 354/80-82; 355/1, 19, 45-47; 382/65-68; 358/473, 474, 497; 248/917-925, 475.1, 300, 121, 122, 123.1, 126, 176, 201, 277, 678

[56] References Cited

U.S. PATENT DOCUMENTS

D. 289,140	4/1987	Fischer et al.	D8/373
3,902,048	8/1975	Fleischer et al.	235/61.11 E
3,928,759	12/1975	Sansone	250/568
3,988,573	10/1976	Hayosh et al.	235/61.11 E
3,995,166	11/1976	Hobart et al.	250/566
4,006,343	2/1977	Izura et al.	235/61.11 E
4,093,865	6/1978	Nickl	250/566
4,097,729	6/1978	Seligman et al.	235/467
4,260,880	4/1981	Thomas	250/566 X
4,431,912	2/1984	Dickson et al.	235/462 X
4,531,574	7/1985	Hoch	248/201 X

4,713,532	12/1987	Knowles	235/467
4,762,984	8/1988	Knowles et al.	235/383
4,776,554	10/1988	Shekita et al.	248/678
4,789,775	12/1988	McClain et al.	235/462 X
4,847,733	7/1989	Roy et al.	248/300 X

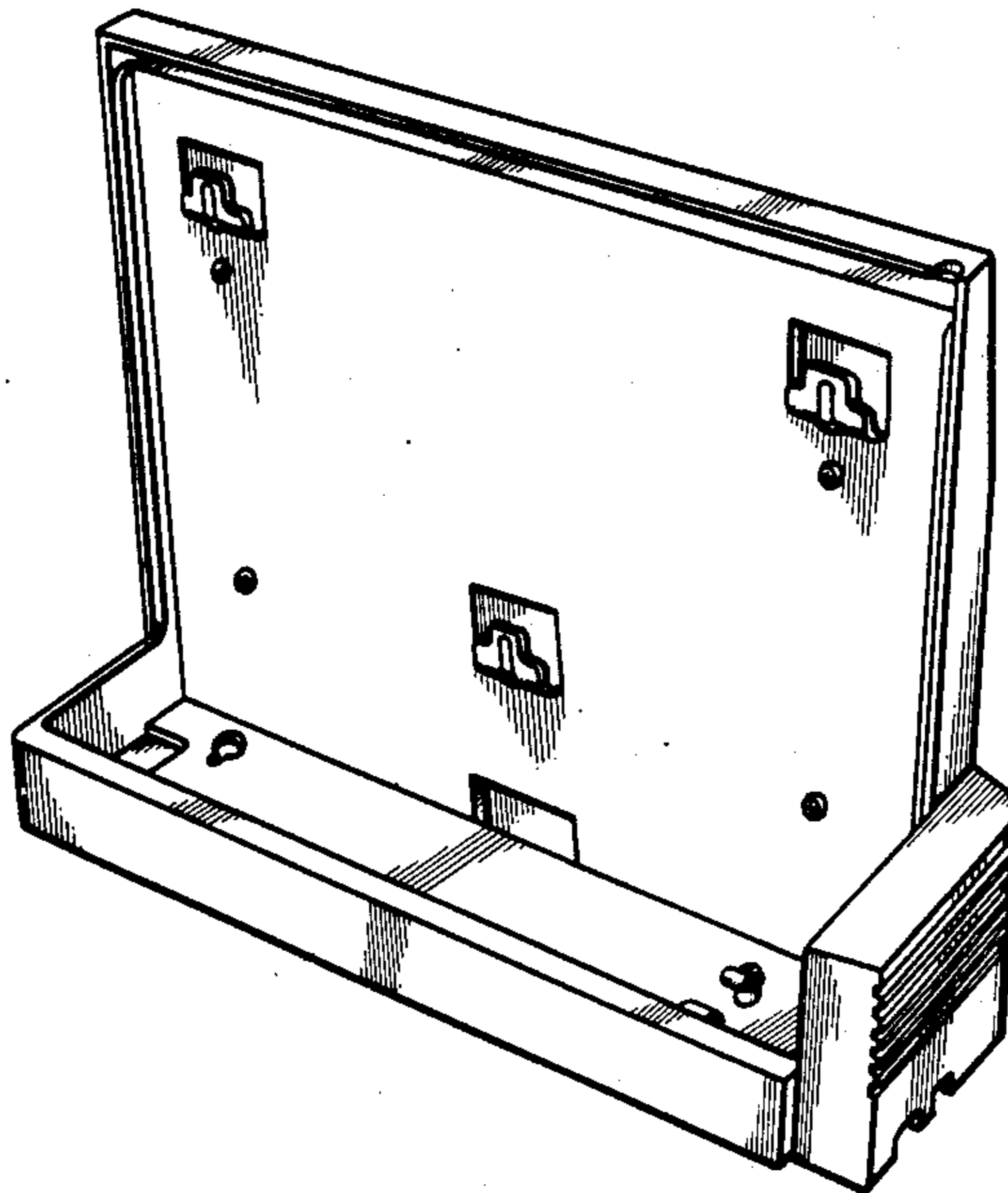
Primary Examiner—Wallace R. Burke
Assistant Examiner—Freda S. Nunn
Attorney, Agent, or Firm—Lyon & Lyon

[57] CLAIM

The ornamental design for a mounting bracket for a compact optical scanner, as shown and described.

DESCRIPTION

FIG. 1 is a top, front, right side perspective view of a mounting bracket for a compact optical scanner showing my new design;
FIG. 2 is a top, front, right side perspective view thereof, the compact optical scanner being shown in broken lines for illustrative purposes only and forms no part of the claimed design;
FIG. 3 is a top, rear, right side perspective view thereof;
FIG. 4 is a top, rear, right side perspective view thereof, the compact optical scanner being shown in broken lines for illustrative purposes only and forms no part of the claimed design;
FIG. 5 is a bottom plan view thereof;
FIG. 6 is a top plan view thereof;
FIG. 7 is a front elevational view thereof;
FIGS. 8 and 9 are respectively left and right side elevational views thereof;
FIG. 10 is a rear elevational view thereof.



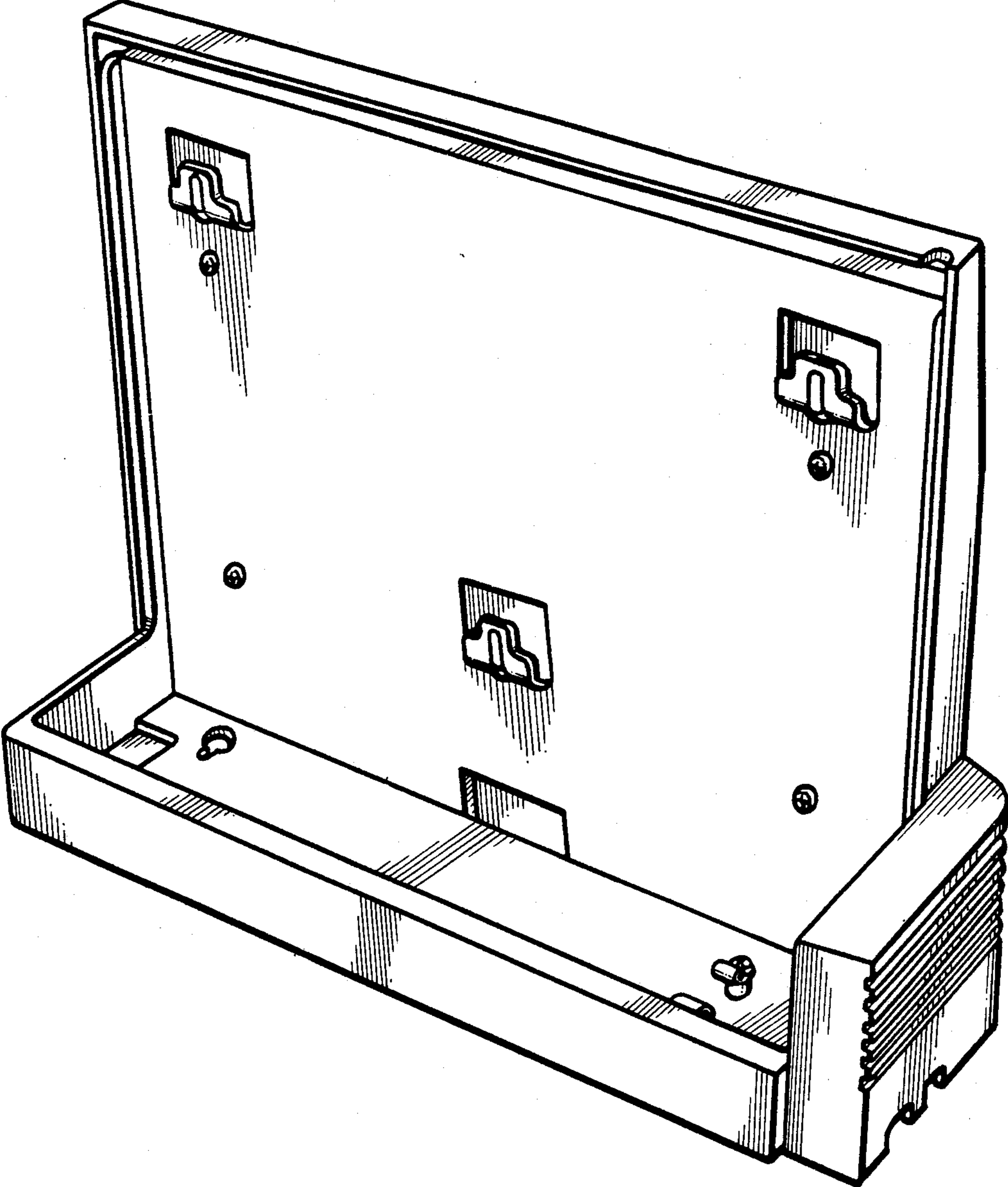


FIG. 1.

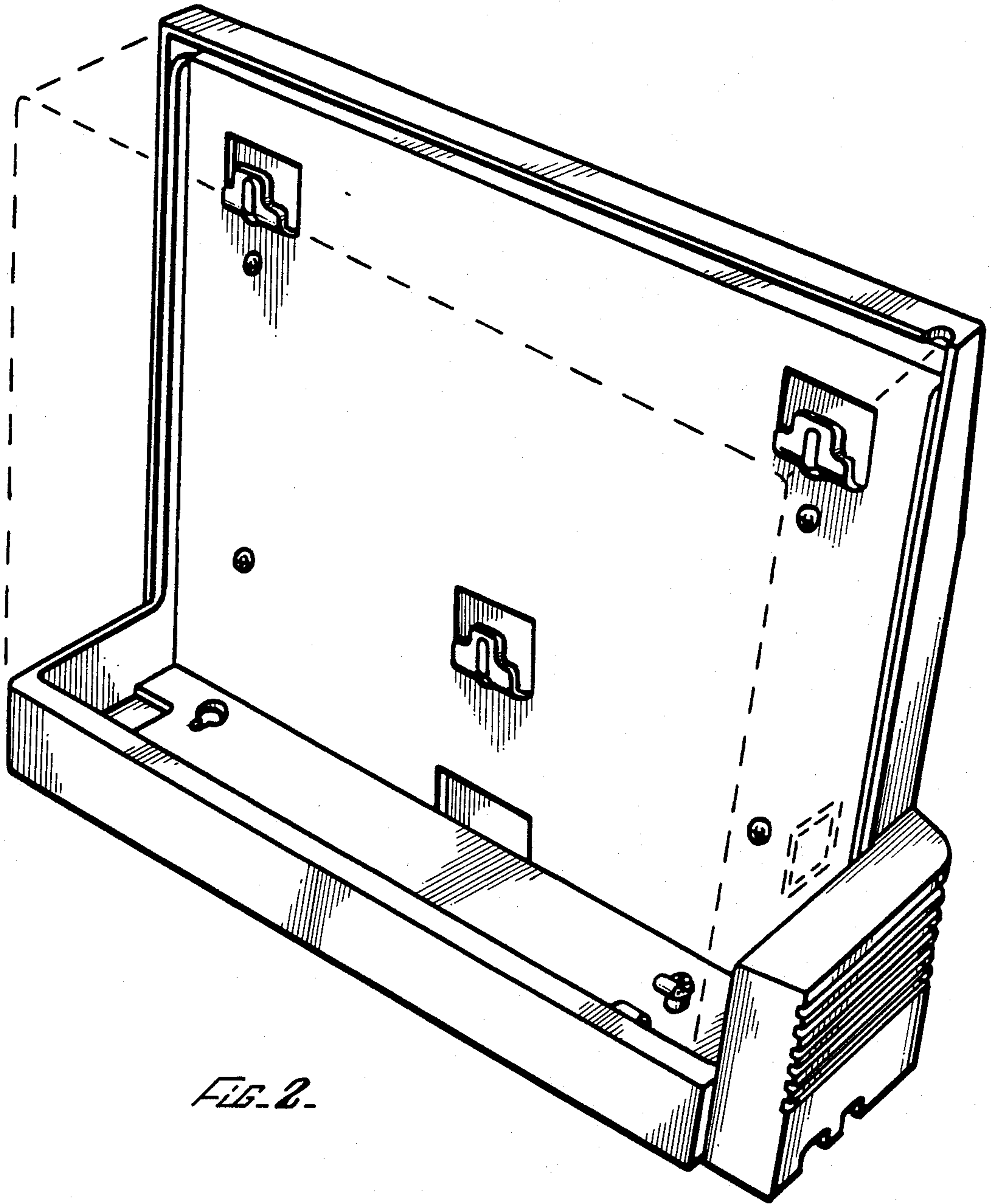


FIG. 2.

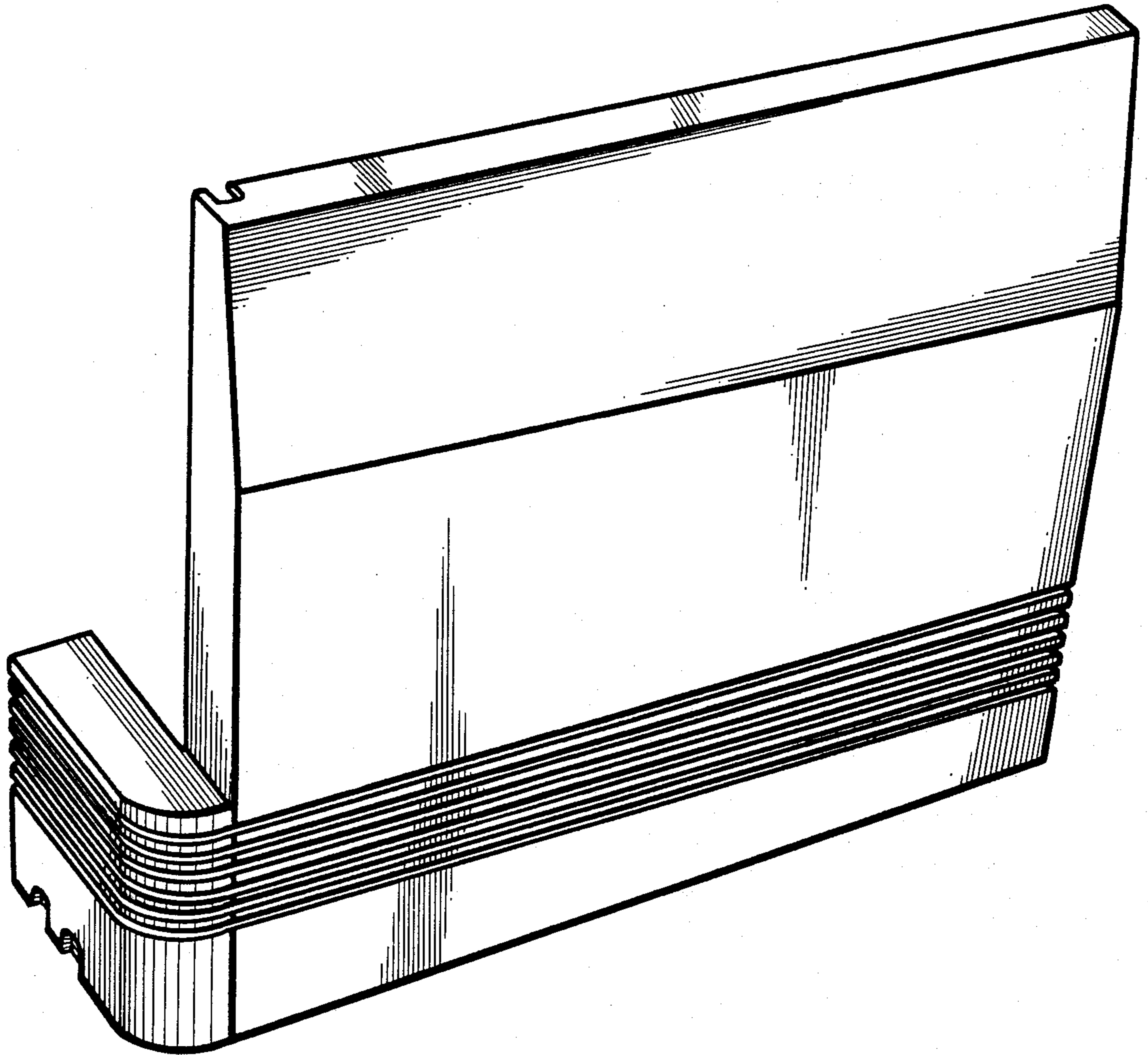


FIG. 3.

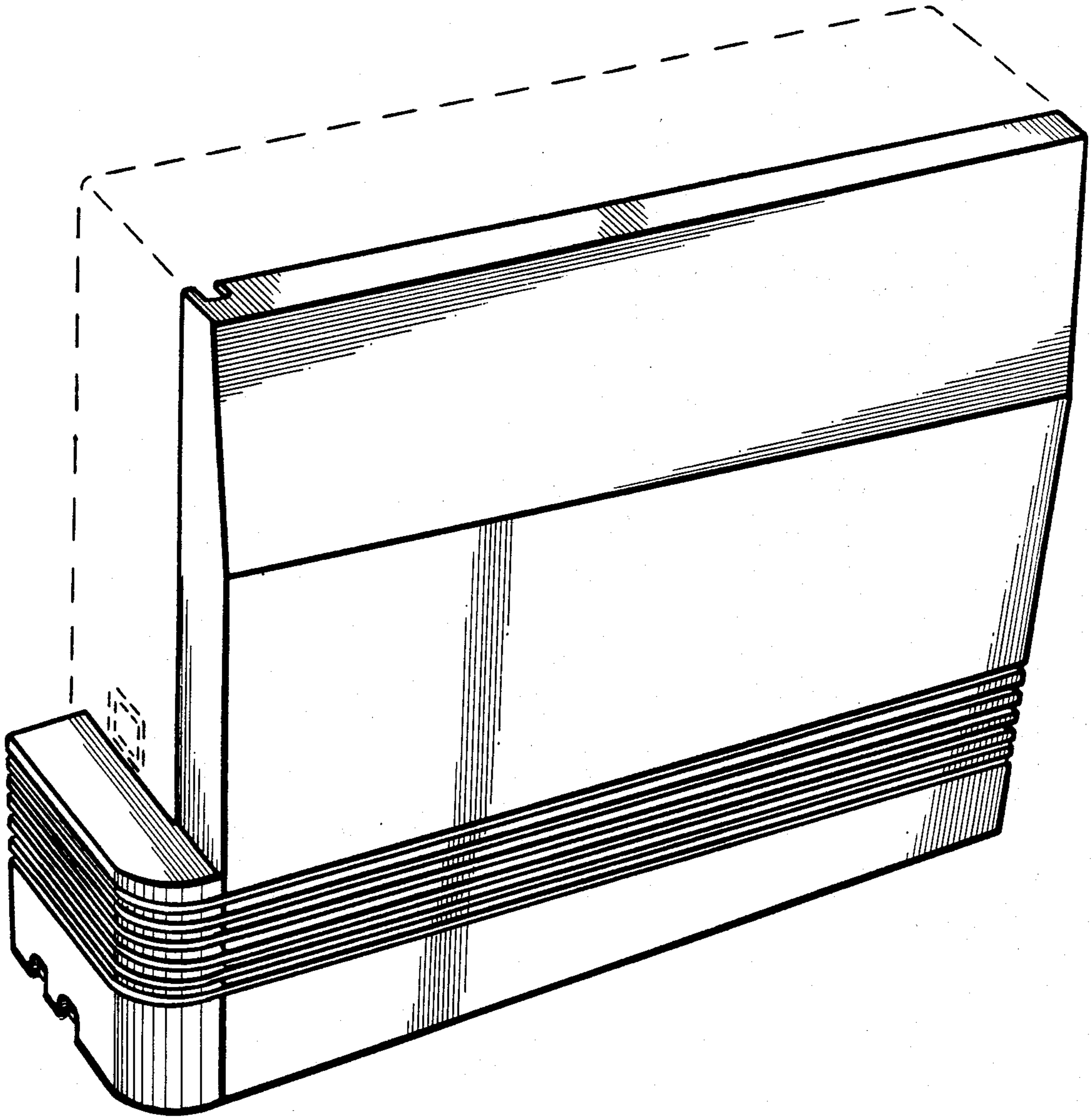


FIG. 4.

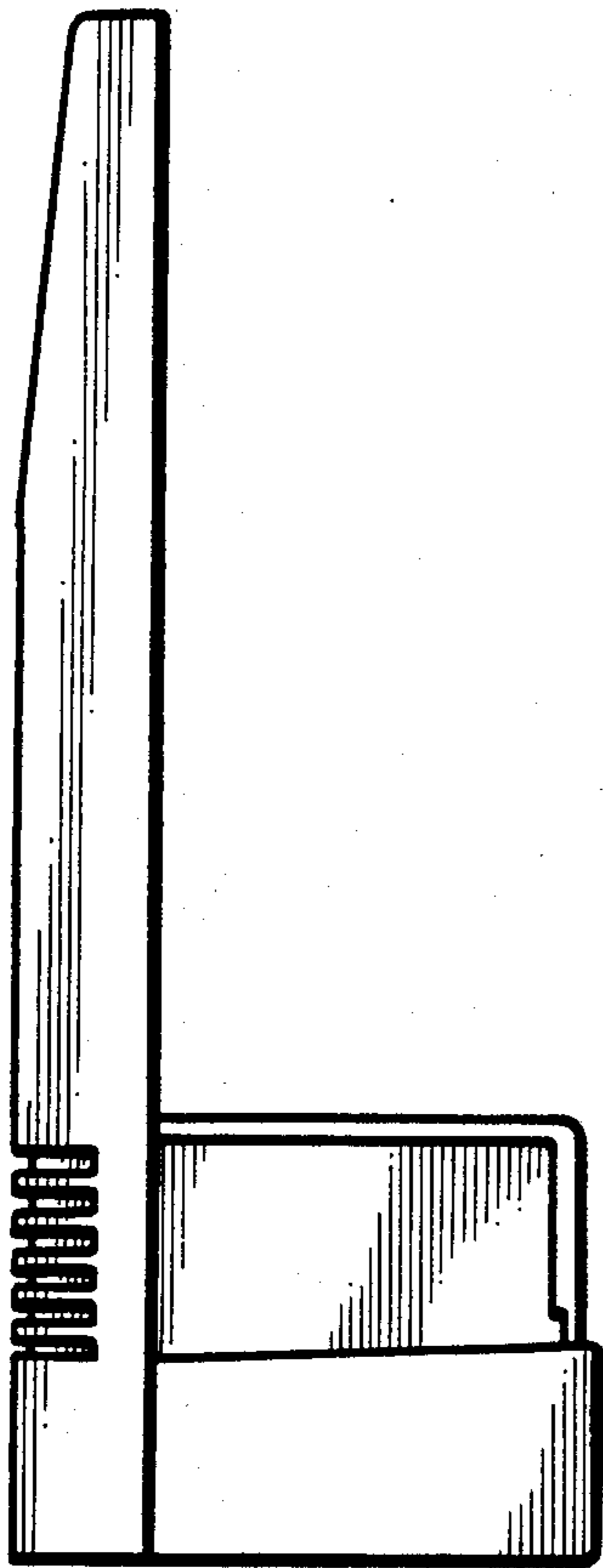


FIG. 8.

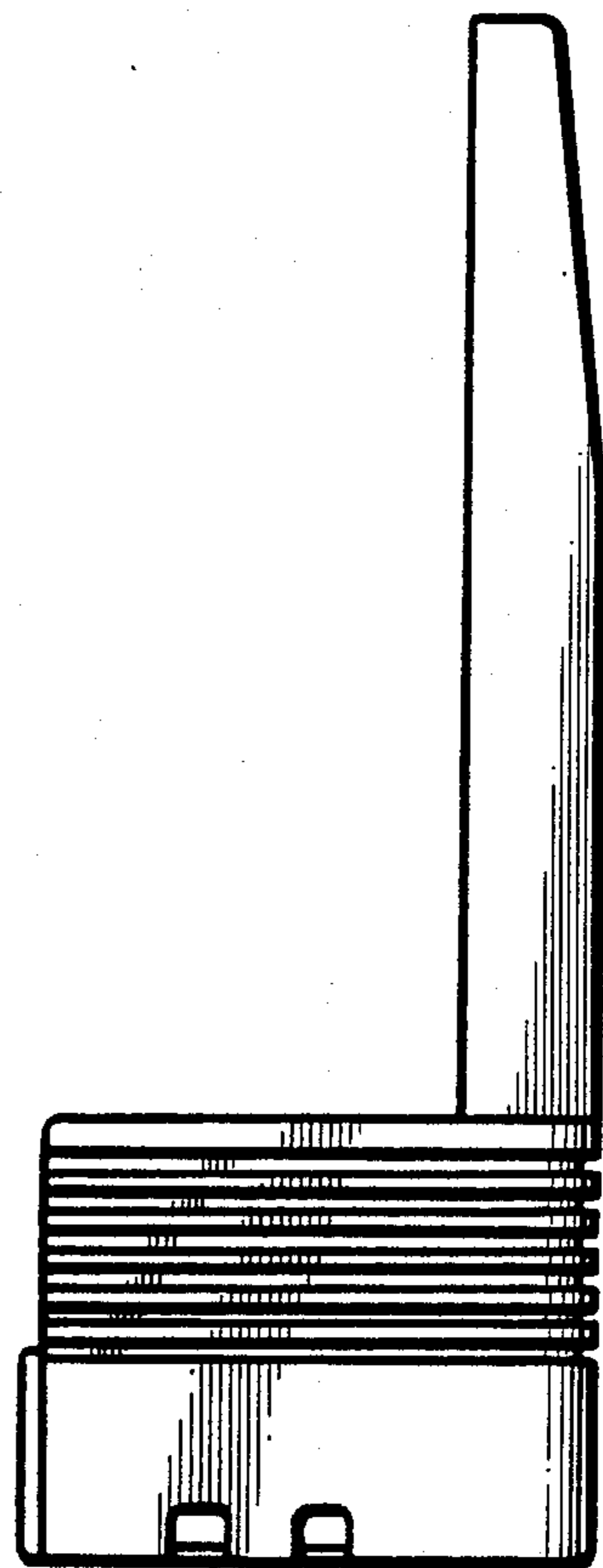


FIG. 9.

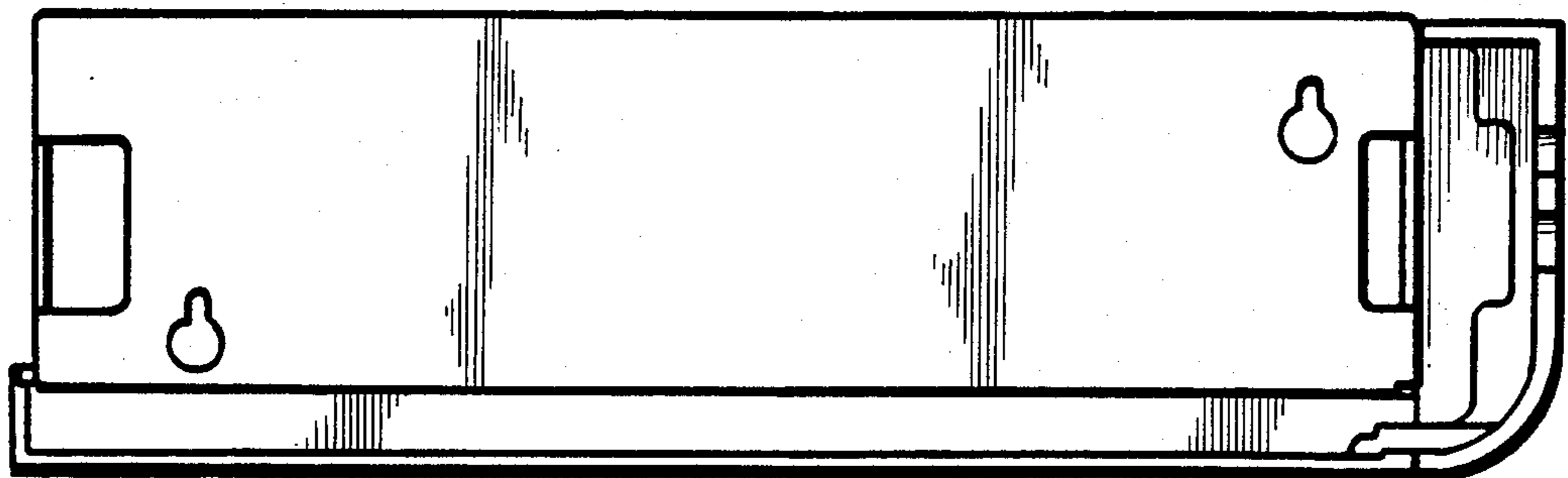


FIG. 5.

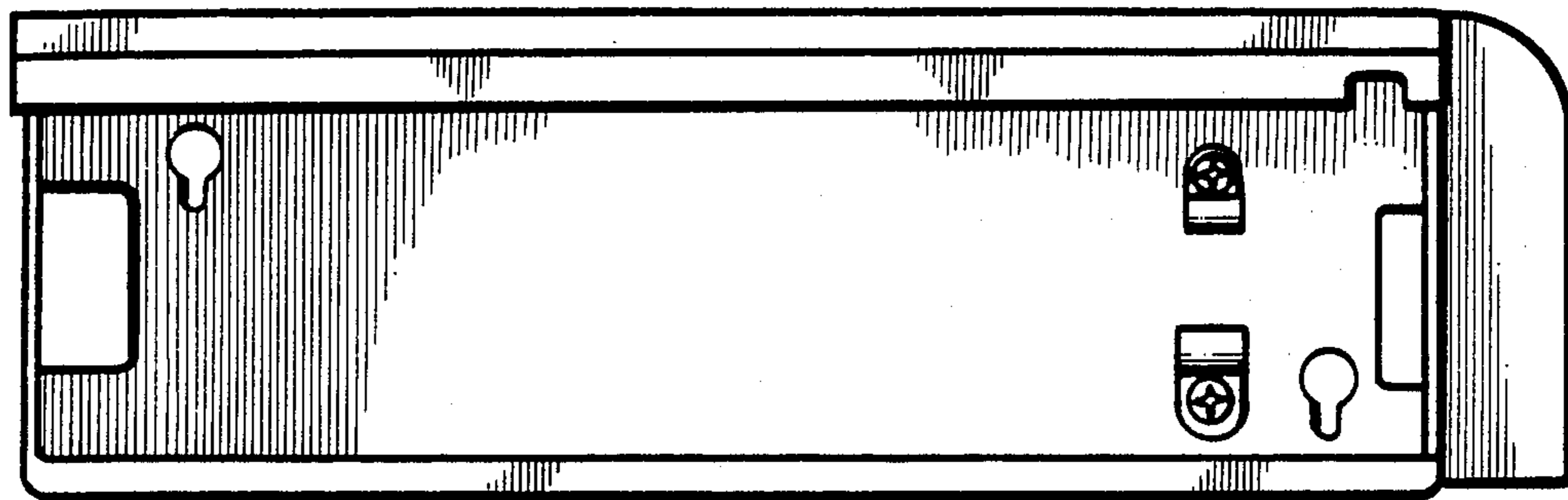


FIG. 6-

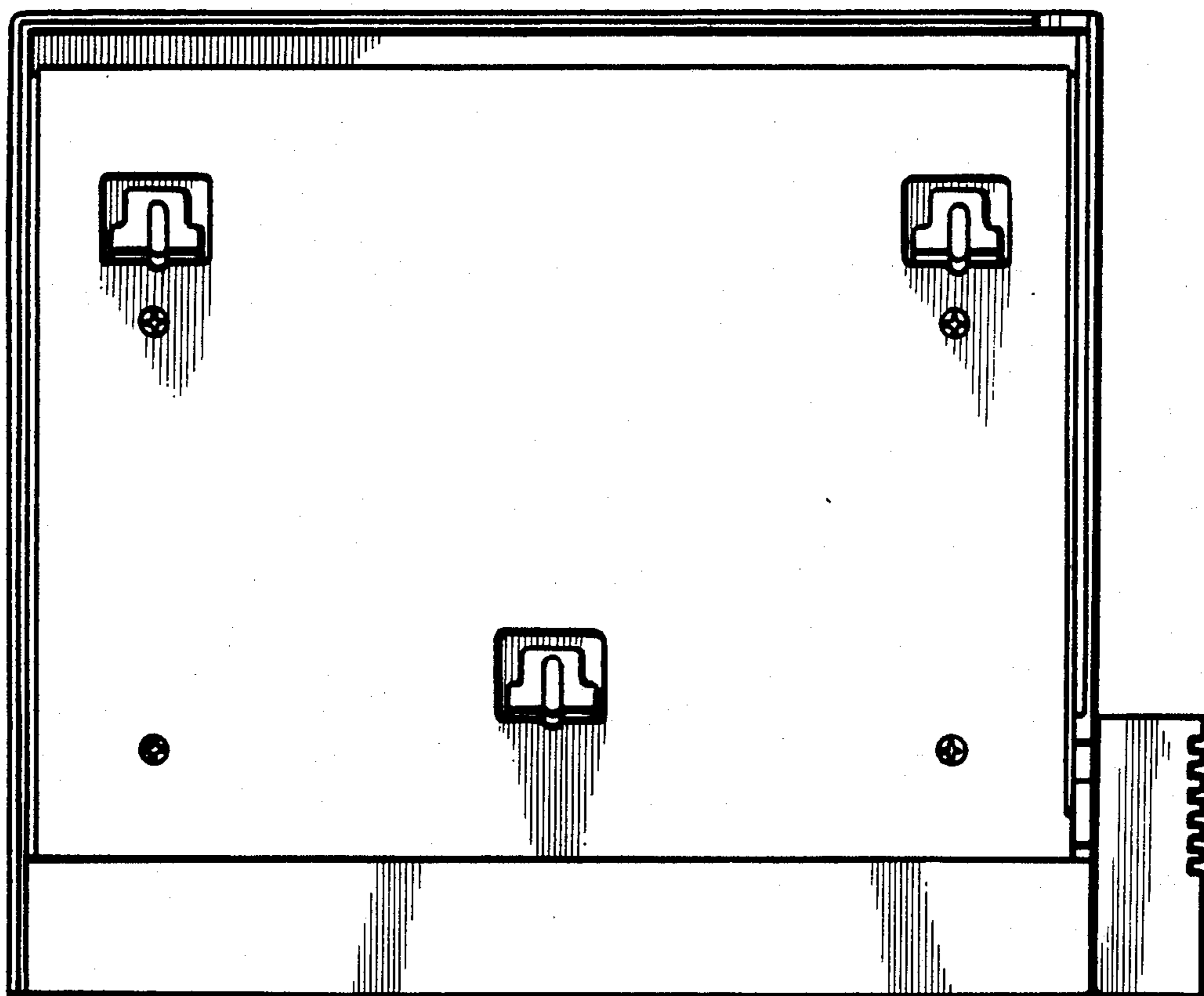


FIG. 1-

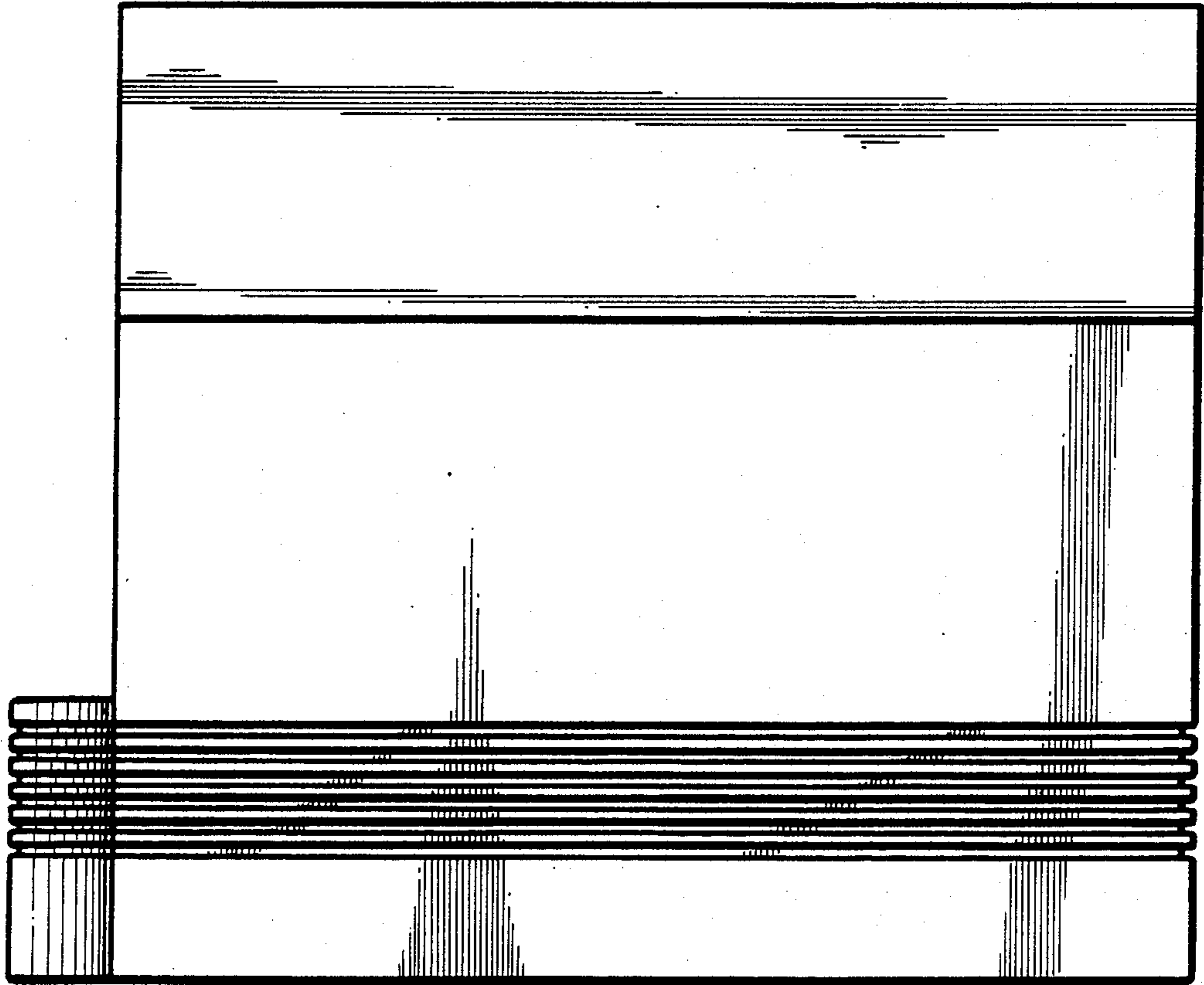


FIG. 10.