

[54] CATHODE RAY TUBE SOCKET

[75] Inventors: Hirofumi Inaba; Yasunori Nishikawa, both of Yao, Japan

[73] Assignee: Hosiden Electronics Co., Ltd., Osaka, Japan

[*] Notice: The portion of the term of this patent subsequent to Feb. 2, 2002 has been disclaimed.

[**] Term: 14 Years

[21] Appl. No.: 192,406

[22] Filed: May 10, 1988

[30] Foreign Application Priority Data

Nov. 26, 1987 [JP] Japan 62-48538
[52] U.S. Cl. D13/146; D13/133
[58] Field of Search D13/146, 147, 133; 439/436, 683, 684, 685, 366; 313/325

[56] References Cited

U.S. PATENT DOCUMENTS

D. 294,017	2/1988	Inaba	D13/24
4,054,346	10/1977	Schultz	439/366
4,156,161	5/1979	Pittman	313/325
4,199,215	4/1980	Pittman	313/325 X
4,266,158	5/1981	Uda et al.	313/325
4,400,645	8/1983	Simovits, Jr. et al.	439/683 X

Primary Examiner—Susan J. Lucas
Assistant Examiner—Joel Sincavage
Attorney, Agent, or Firm—Pollock, VandeSande & Priddy

[57] CLAIM

The ornamental design for a cathode ray tube socket, as shown and described.

DESCRIPTION

FIG. 1 is a front perspective view of the cathode ray tube socket showing our new design;
FIG. 2 is a front elevational end view thereof;
FIG. 3 is a rear end elevational view thereof;
FIG. 4 is a right side elevational view thereof;
FIG. 5 is a left side elevational view thereof;
FIG. 6 is a top plan view thereof;
FIG. 7 is a bottom plan view thereof.

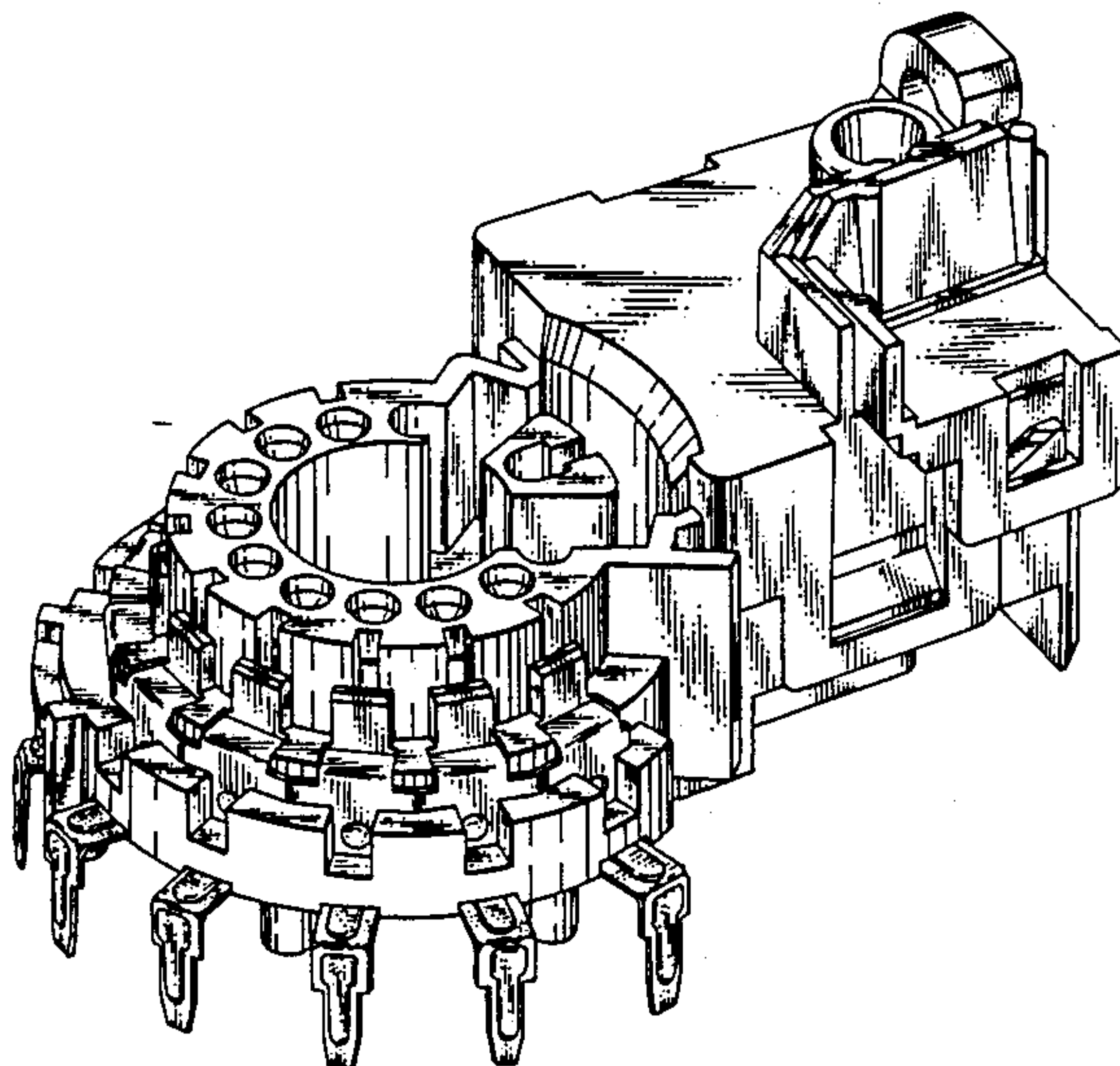


FIG. 1

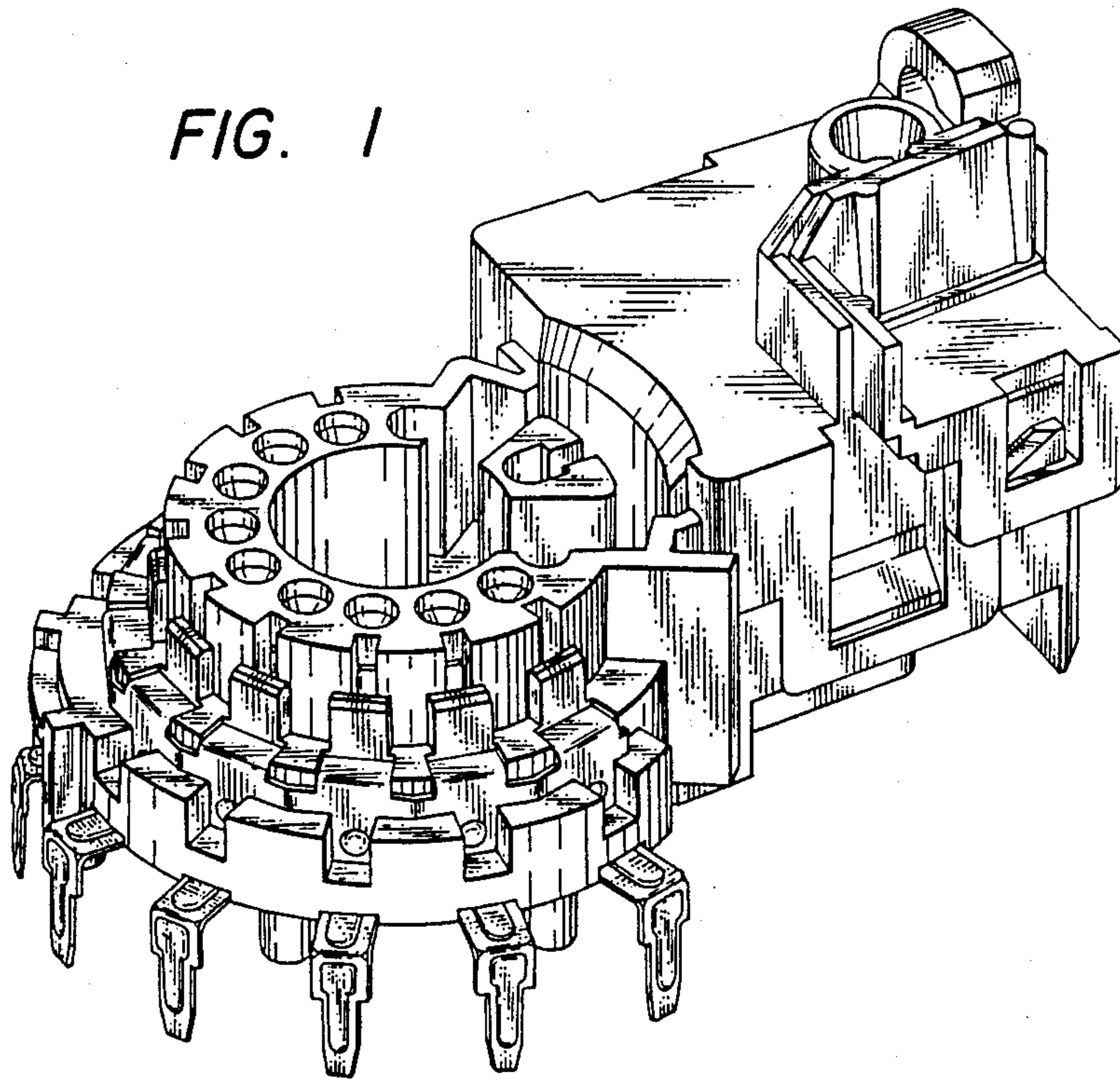


FIG. 2

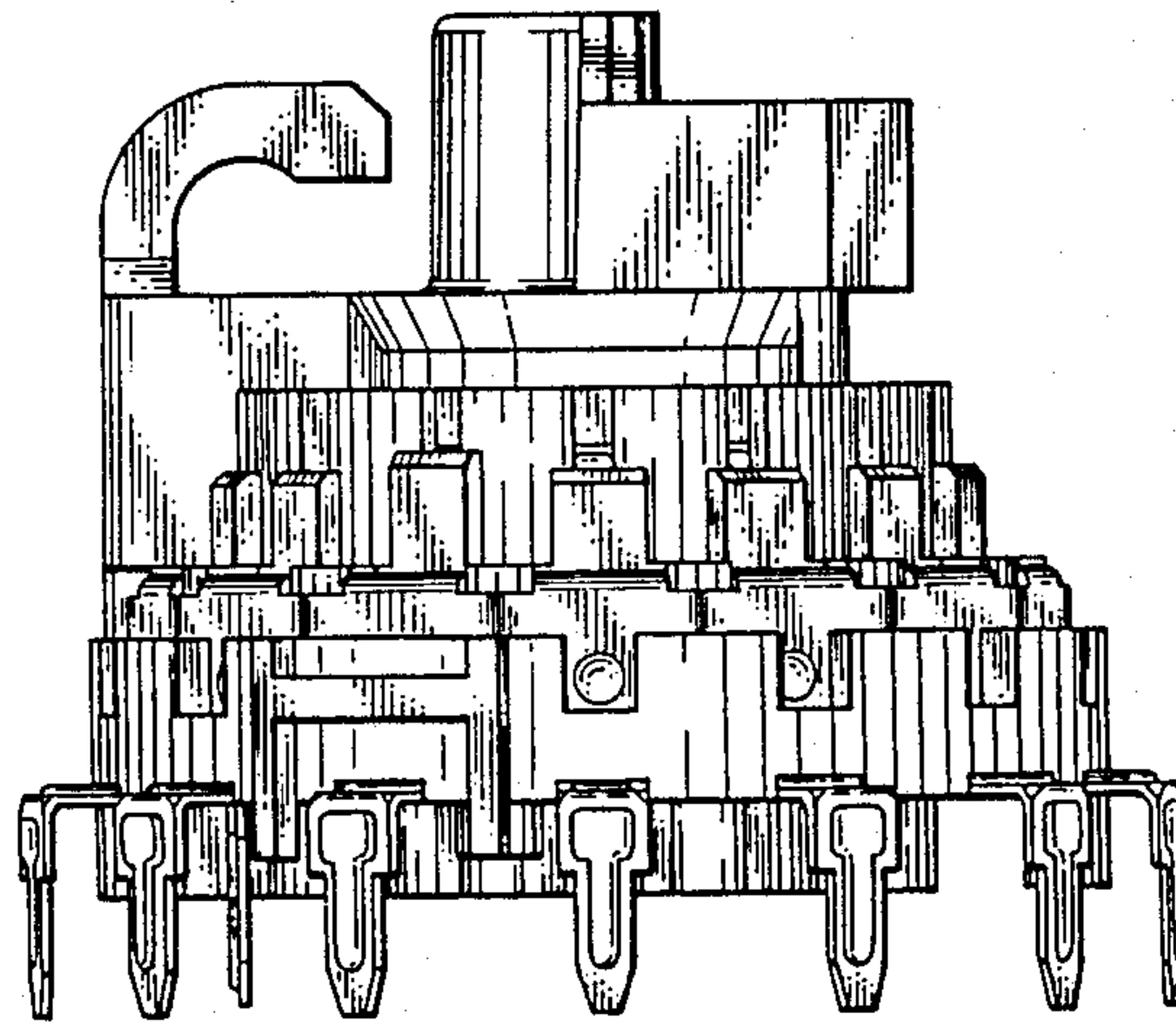


FIG. 3

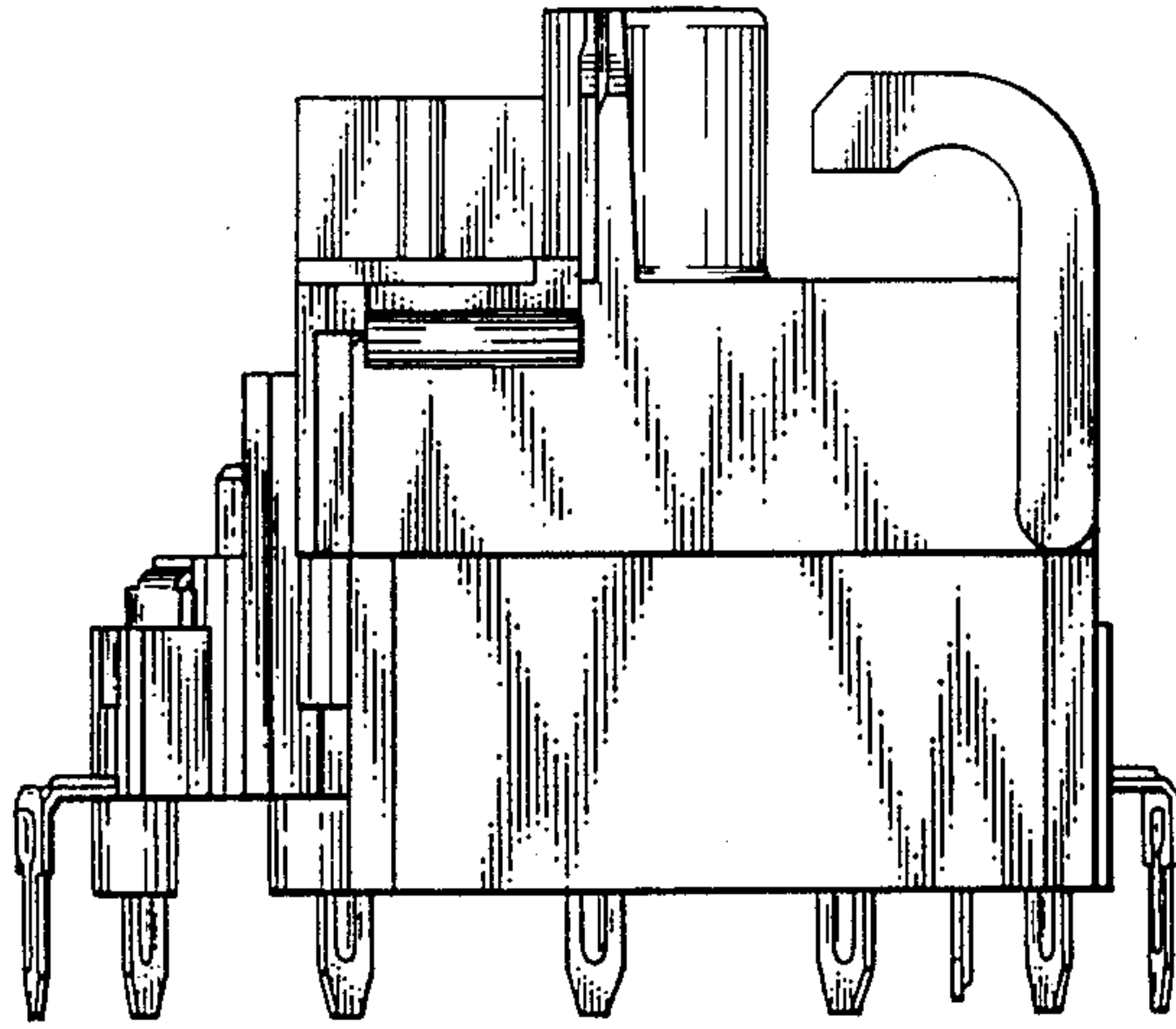


FIG. 4

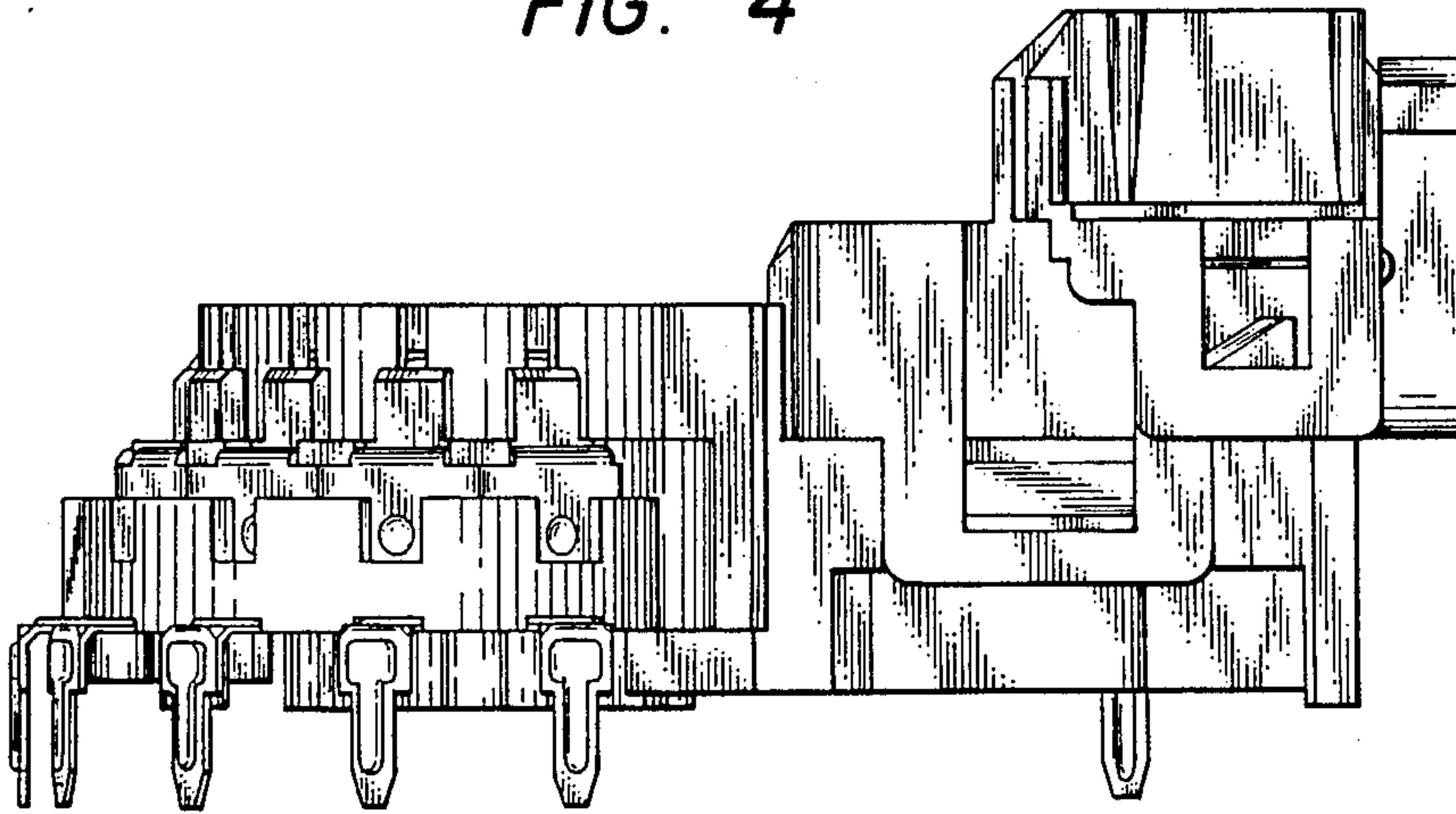


FIG. 5

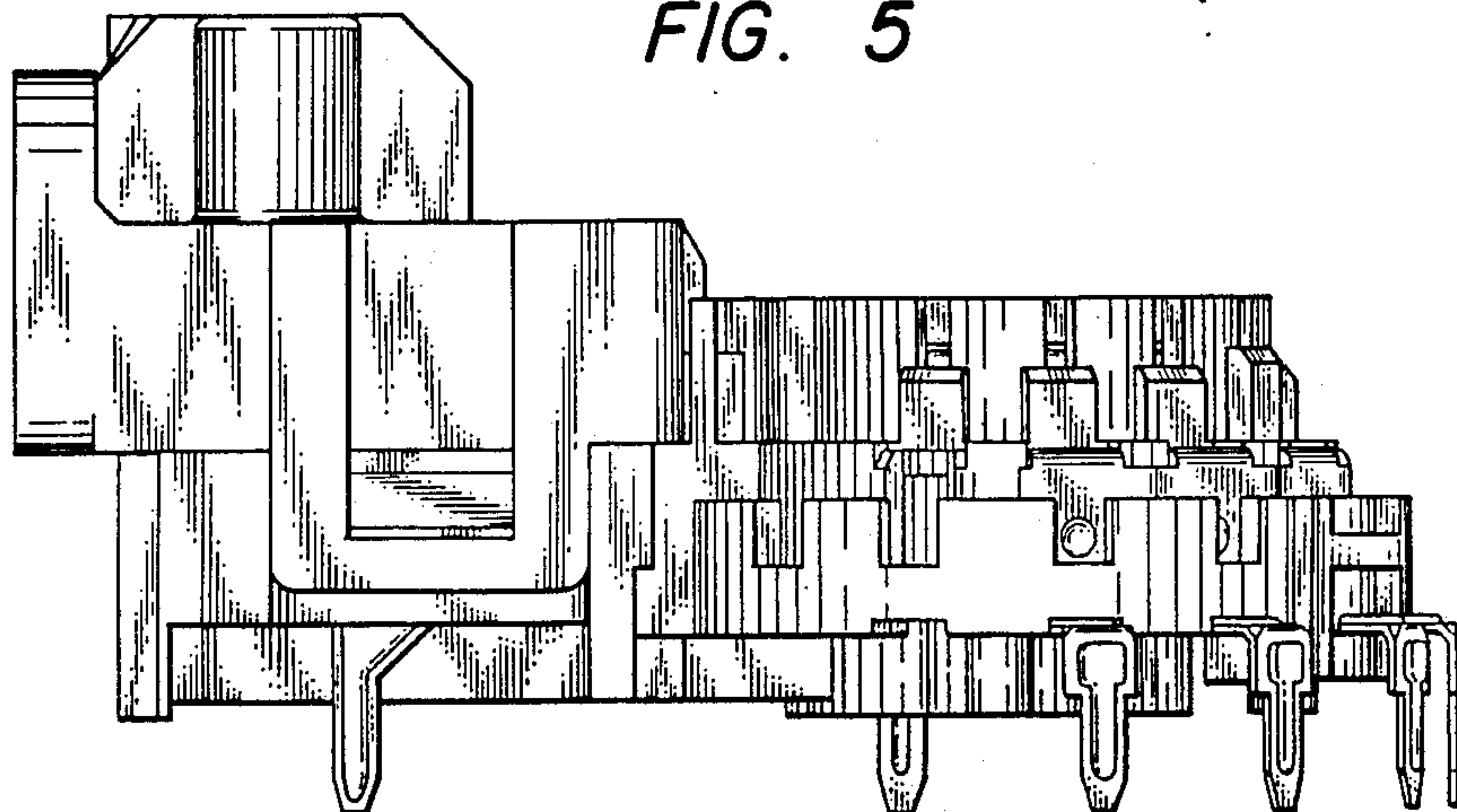


FIG. 6

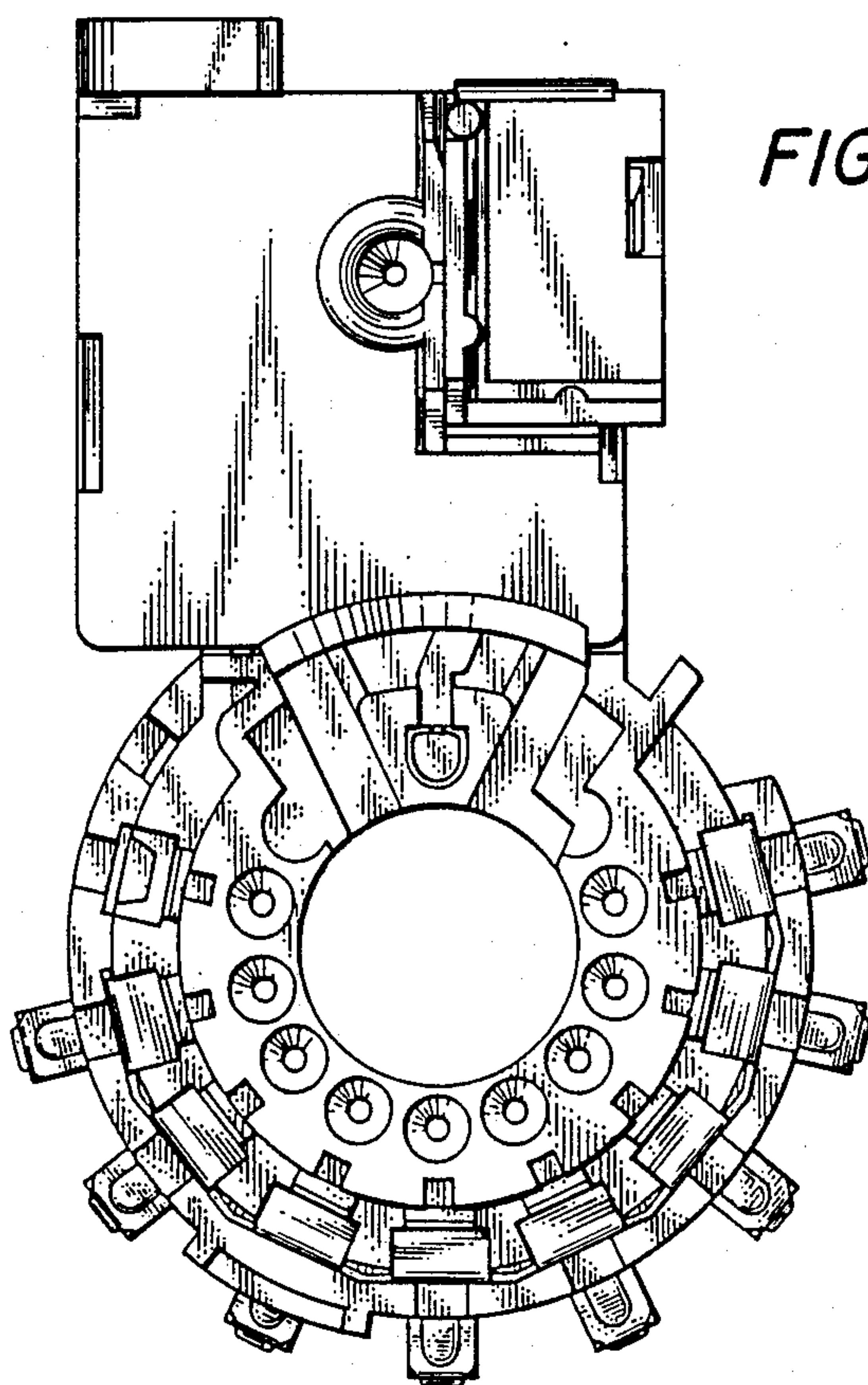


FIG. 7

