

United States Patent [19]

Disler

[11] Patent Number: **Des. 313,579**

[45] Date of Patent: **** Jan. 8, 1991**

[54] **TRICYCLE**

[76] Inventor: **Martin R. Disler, 17 Wolsey Mews, Kentish Town, London, NW5 2 DX, England**

[**] Term: **14 Years**

[21] Appl. No.: **35,498**

[22] Filed: **Apr. 7, 1987**

[30] **Foreign Application Priority Data**

Oct. 7, 1986 [GB] United Kingdom 1037212

[52] U.S. Cl. **D12/112**

[58] Field of Search **D12/112, 113; D21/71, D21/134; 280/7.1, 7.15, 7.17, 202, 282**

[56] **References Cited**

U.S. PATENT DOCUMENTS

D. 140,186 1/1945 Wheeler D12/113
D. 154,340 6/1949 Smith D12/113
D. 154,341 6/1949 Smith D12/113

D. 154,342 6/1949 Smith D12/113
D. 154,343 6/1949 Smith D12/113
D. 203,757 2/1966 Brettner D12/113
D. 239,125 3/1976 Vota D21/71
D. 274,174 6/1984 Rivollet D21/134
2,118,245 5/1938 Jones 280/7.17
2,518,032 8/1950 Lewis 280/7.17
3,152,838 10/1964 Morehead D12/112

OTHER PUBLICATIONS

Mechanix Illustrated, 10/64, p. 133, Trailer Trike.

Primary Examiner—James M. Gandy

Attorney, Agent, or Firm—Wood, Herron & Evans

[57] **CLAIM**

The ornamental design for a tricycle, as shown.

DESCRIPTION

FIG. 1 is a perspective view of a tricycle showing my new design;

FIG. 2 is a side elevation view thereof;

FIG. 3 is a top plan view thereof; and

FIG. 4 is a rear elevation view thereof.

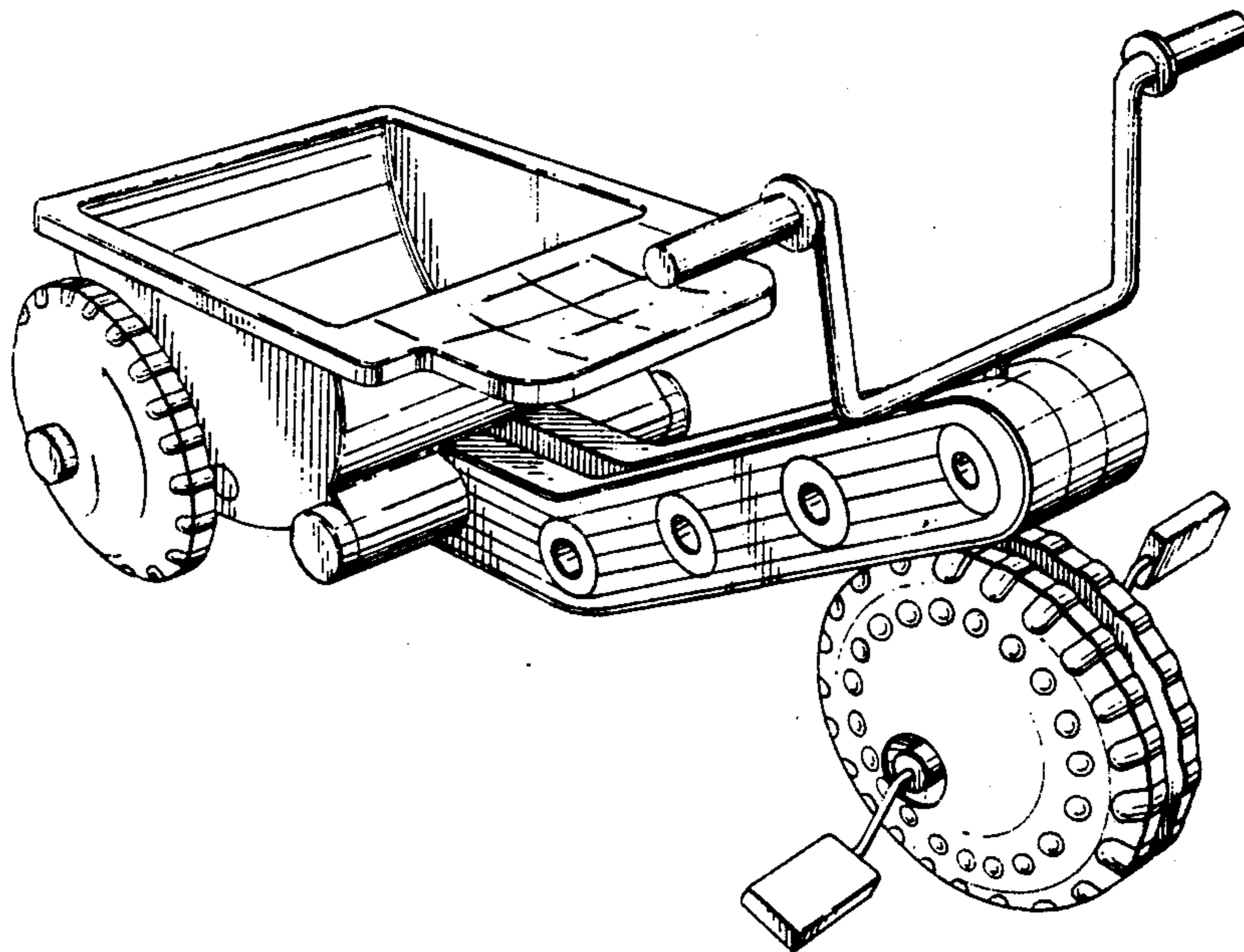


Fig. 1.

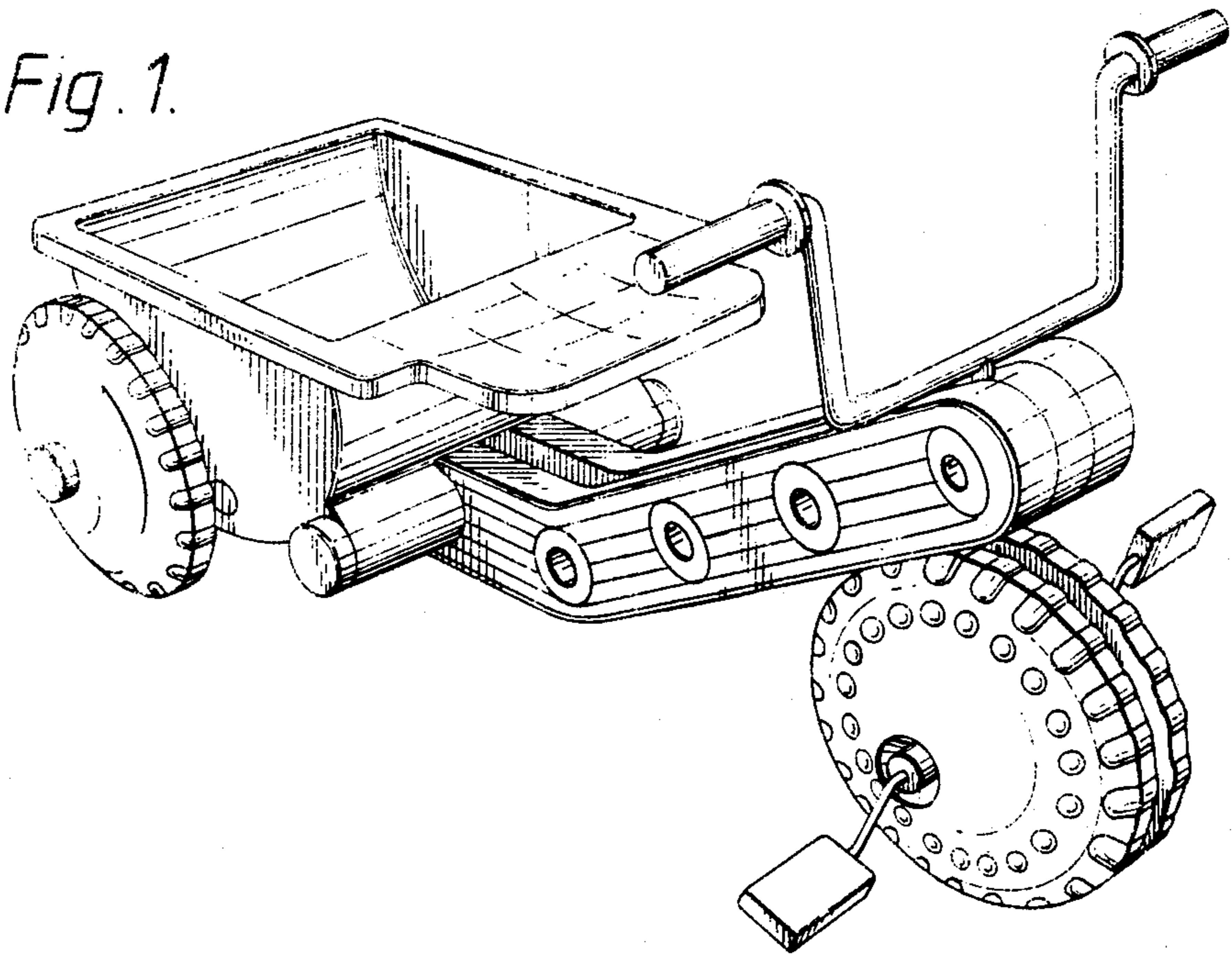


Fig. 2.

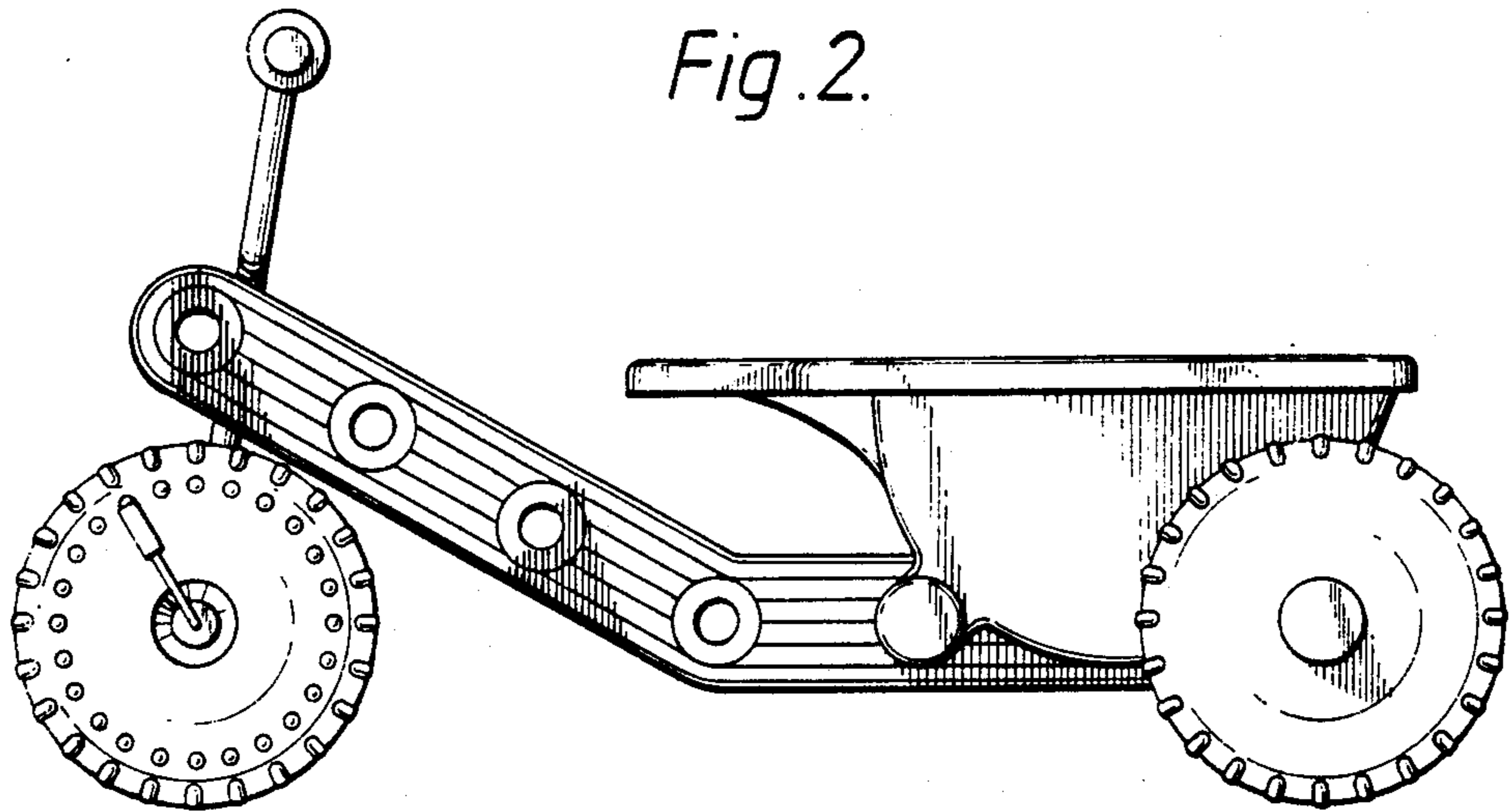


Fig. 3.

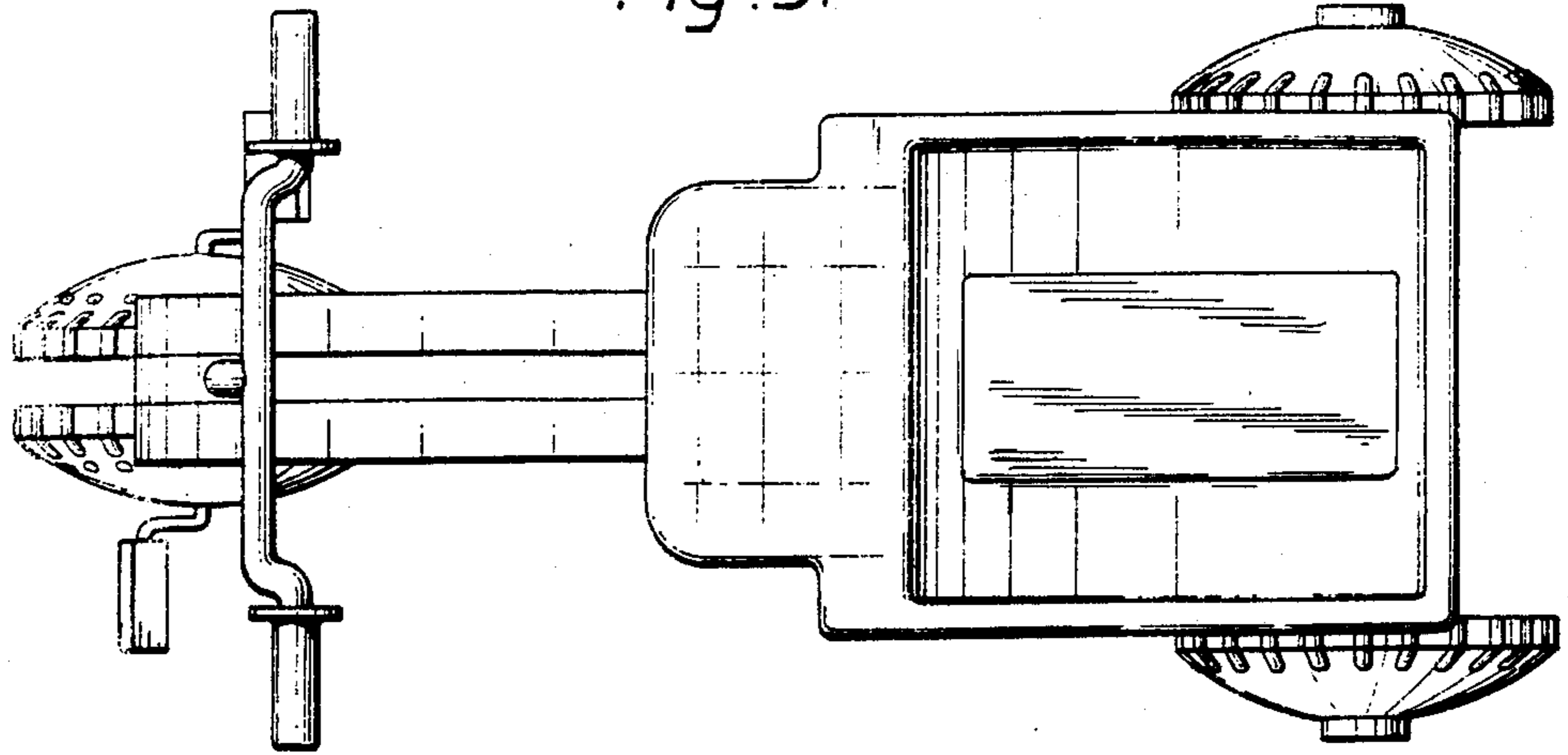


Fig. 4.

