

[54] SLIDE CALIPER

[76] Inventor: Hans Meyer, 24, rue du Bugnon, 1020 Renens, Switzerland

[**] Term: 14 Years

[21] Appl. No.: 169,355

[22] Filed: Mar. 17, 1988

[30] Foreign Application Priority Data

- Sep. 22, 1987 [CH] Switzerland 116.190
- [52] U.S. Cl. D10/73
- [58] Field of Search D10/70, 71, 72, 73, D10/74; 33/783, 784, 792, 793, 794, 795, 796, 797, 798, 799, 800, 801, 802, 803, 804, 805, 806, 807, 808, 809, 810, 811, 812, 813, 814, 815, 816, 817, 818, 819, 820, 821, 822, 823, 824, 825, 826, 827, 828, 829, 830, 831, 832

[56] References Cited

U.S. PATENT DOCUMENTS

- D. 233,787 11/1974 Uchino D10/73
- D. 235,627 7/1975 Uchino D10/73
- D. 235,628 7/1975 Nishigata D10/73
- D. 245,072 7/1977 Shibukawa D10/73
- D. 255,998 7/1980 Merchant D10/73
- D. 256,101 7/1980 Kobasi D10/73
- D. 257,009 8/1980 Sibukawa et al. D10/73
- D. 268,739 4/1983 Hampf D10/73
- D. 280,301 8/1985 Nishina et al. D10/73
- 3,273,248 9/1966 Halverstadt 33/702

- 4,229,883 10/1980 Kobasi 33/810
- 4,375,722 3/1983 Nishikata et al. 33/810

FOREIGN PATENT DOCUMENTS

- 2710312 9/1978 Fed. Rep. of Germany 33/810
- 504120 6/1920 France 33/810
- 115301 7/1983 Japan 33/810

OTHER PUBLICATIONS

- Federal Products Corp., Federal Jocal, ©1982, back cover.
- Brown & Sharp Mfg. Co., Digit-Cal Mark II, 3/82, back cover.
- Simonds, Simonds Max-Cal and Max-Cal & Digitrix, 8/84, pp. 18 and 19.
- Simonds, Simonds 12" Ultra-Cal Electronic Calipers, 8/84, p. 20.

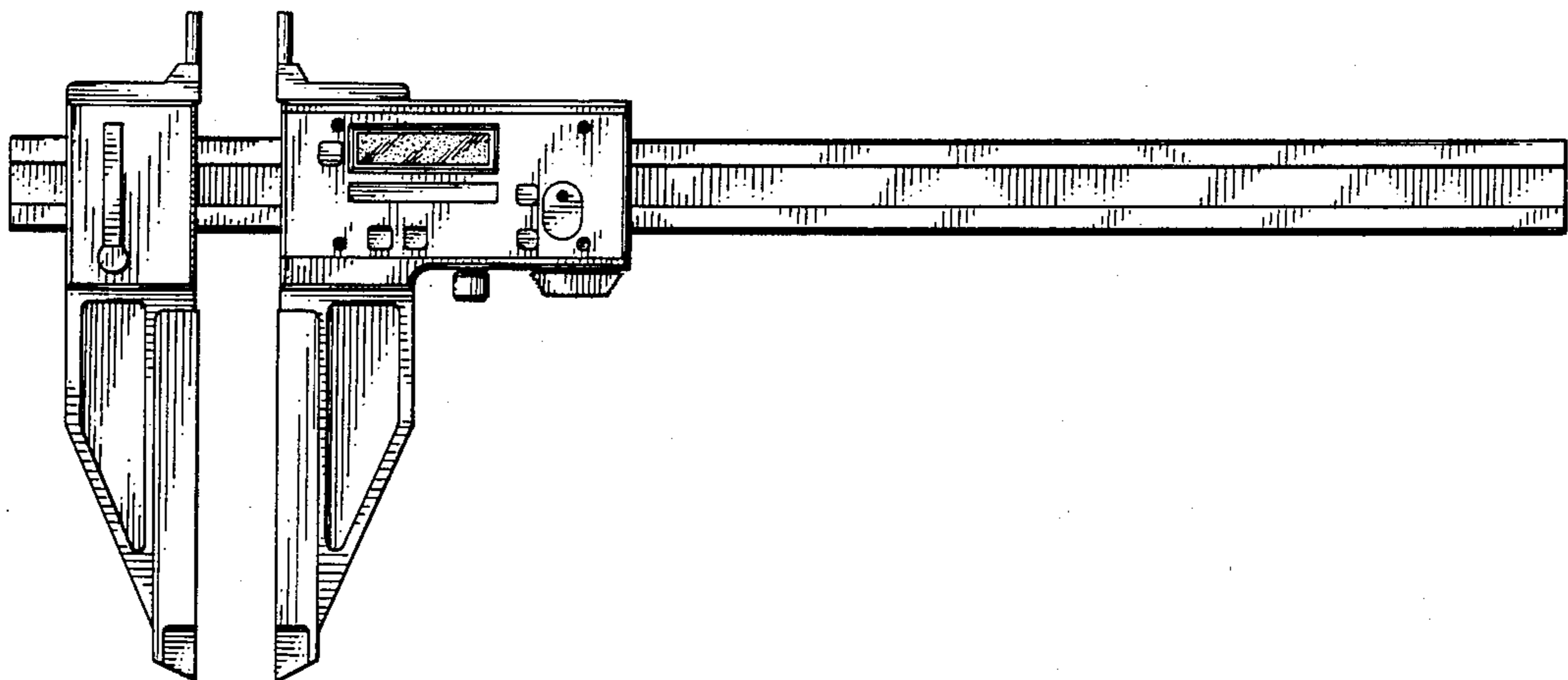
Primary Examiner—Nelson C. Holtje
 Assistant Examiner—Antoine D. Davis
 Attorney, Agent, or Firm—Young & Thompson

[57] CLAIM

The ornamental design for a slide caliper, as shown.

DESCRIPTION

FIG. 1 is a left side elevational view of a slide caliper showing my new design;
 FIG. 2 is a right side elevational view;
 FIG. 3 is a front elevational view;
 FIG. 4 is a rear elevational view;
 FIG. 5 is a top plan view; and
 FIG. 6 is a bottom plan view thereof.



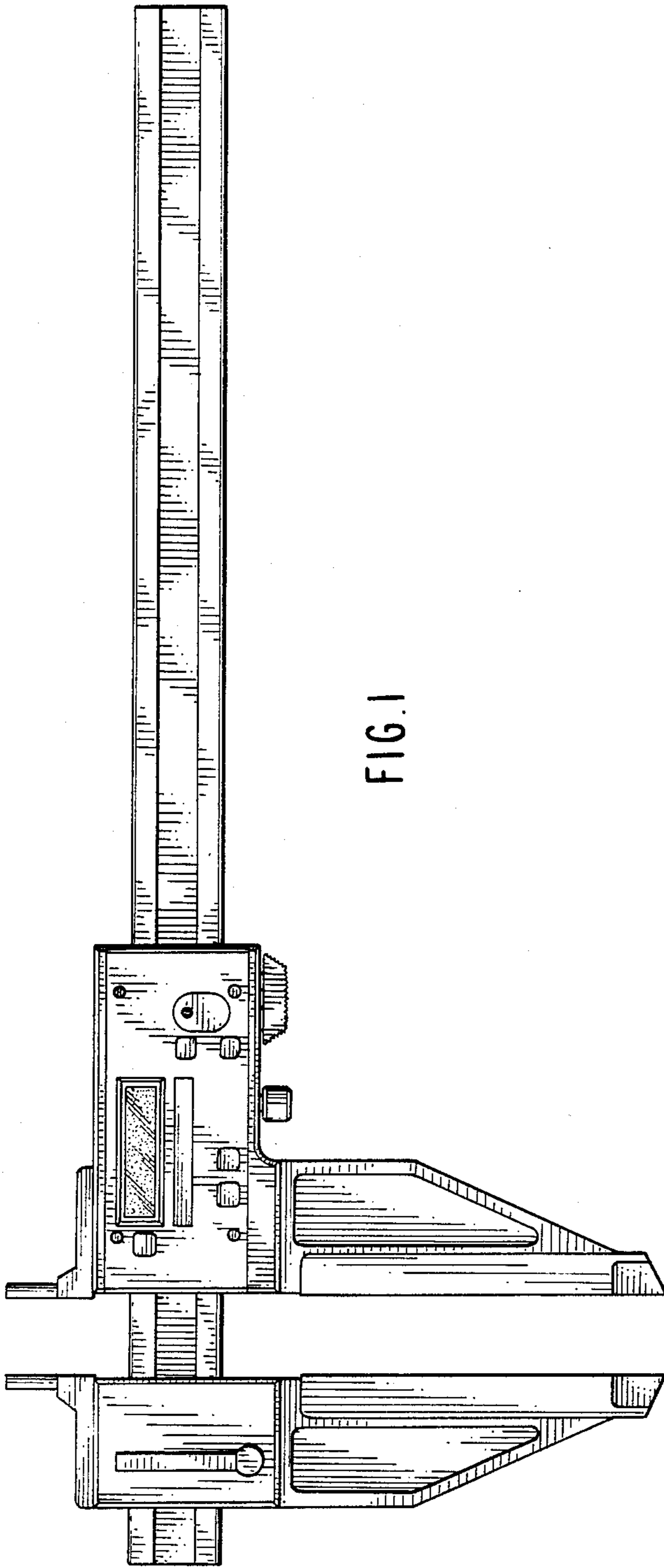


FIG. 1

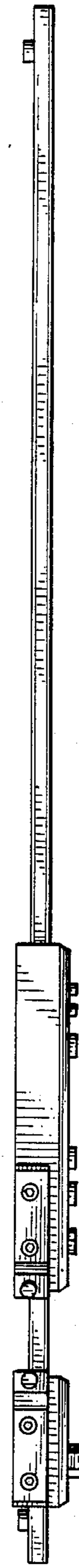


FIG. 4

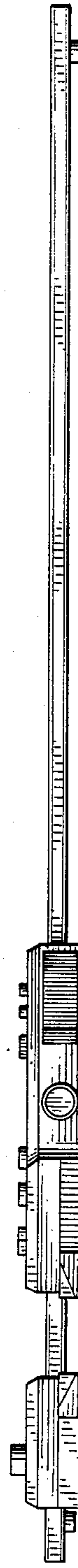


FIG. 3

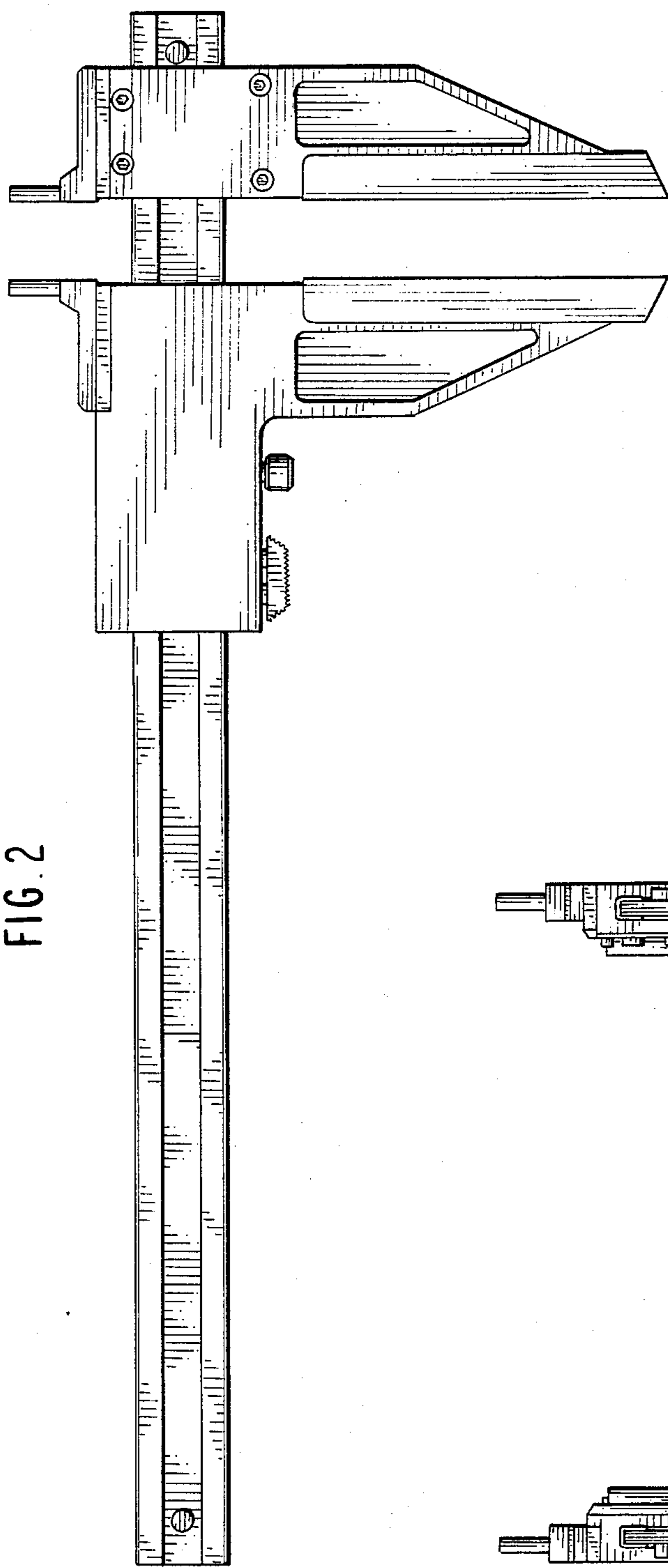


FIG. 2

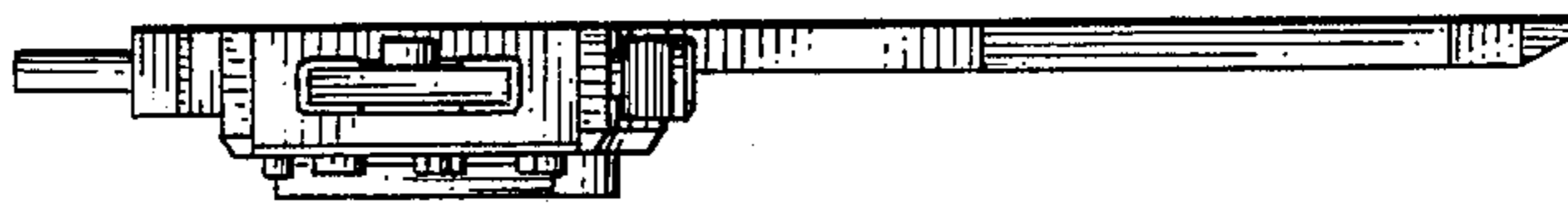


FIG. 6

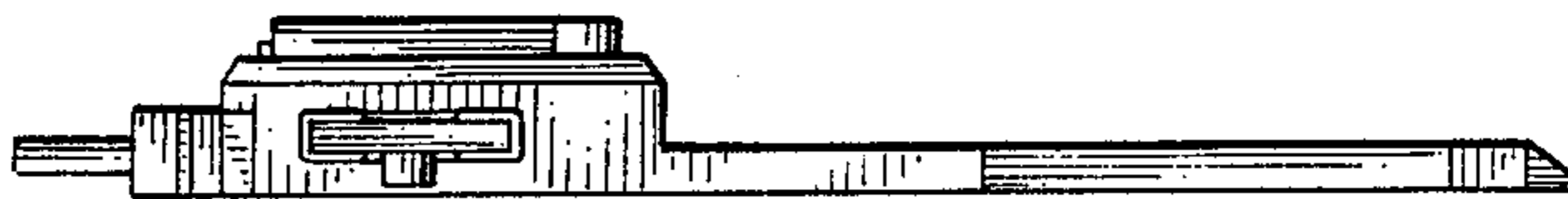


FIG. 5