

[54] **CONTAINER**

[75] **Inventor: Roy L. Smith, Williamsburg, Va.**

[73] **Assignee: Rampart Packaging Inc., Williamsburg, Va.**

[**] **Term: 14 Years**

[21] **Appl. No.: 137,471**

[22] **Filed: Dec. 23, 1987**

[52] **U.S. Cl. D9/425**

[58] **Field of Search D9/425, 424, 432, 414, D9/456; D7/601, 602, 629; 206/503, 505, 512, 518; 220/74, DIG. 28**

[56] **References Cited**

U.S. PATENT DOCUMENTS

D. 245,896	9/1977	Philippon	D9/425
D. 282,135	1/1986	McClelland	D7/538
D. 296,191	6/1988	Yoshida et al.	D9/425
2,614,727	10/1952	Robinson	220/74 X
3,558,002	1/1971	Lindgren	220/74
3,866,816	2/1975	Bemiss	206/518 X
4,286,713	9/1981	Marchais	206/509 X
4,660,734	4/1987	Heaney et al.	206/518 X

OTHER PUBLICATIONS

American Permanent Ware Cat. 1982, p. 4, bottom of the page.

Modern Packaging Cat. 7-82, p. 19, Gelatine Package, third from left top of the page.

Food Processing Industry Nov./Dec. 1970, p. 118, bottom tray of the page.

Primary Examiner—Bernard Ansher

Assistant Examiner—Prabhakar Deshmukh

Attorney, Agent, or Firm—Donald F. Haas

[57] **CLAIM**

The ornamental design for a container, as shown and described.

DESCRIPTION

FIG. 1 is a perspective view of a container showing my new design;

FIG. 2 is a top plan view thereof;

FIG. 3 is a sectional elevation taken along line 3—3 of FIG. 2;

FIG. 4 is a bottom plan view thereof;

FIG. 5 is a right side elevation thereof, the left side elevation being a mirror image thereof;

FIG. 6 is a front elevation thereof, the rear elevation being a mirror image thereof;

FIG. 7 is a sectional elevation taken along line 7—7 of FIG. 8;

FIG. 8 is a front elevation of a second embodiment of FIG. 1, the rear elevation being a mirror image;

FIG. 9 is a right side elevation of FIG. 8, the left side elevation being a mirror image;

FIG. 10 is a sectional elevation taken along line 10—10 of FIG. 11;

FIG. 11 is a front elevation of a third embodiment of FIG. 1, the rear elevation being a mirror image;

FIG. 12 is a right side elevation thereof, the left side elevation being a mirror image;

FIG. 13 is a sectional elevation taken along line 13—13 of FIG. 14;

FIG. 14 is a front elevation of a fourth embodiment of FIG. 1, the rear elevation being a mirror image; and

FIG. 15 is a right side elevation thereof, the left side elevation being a mirror image.

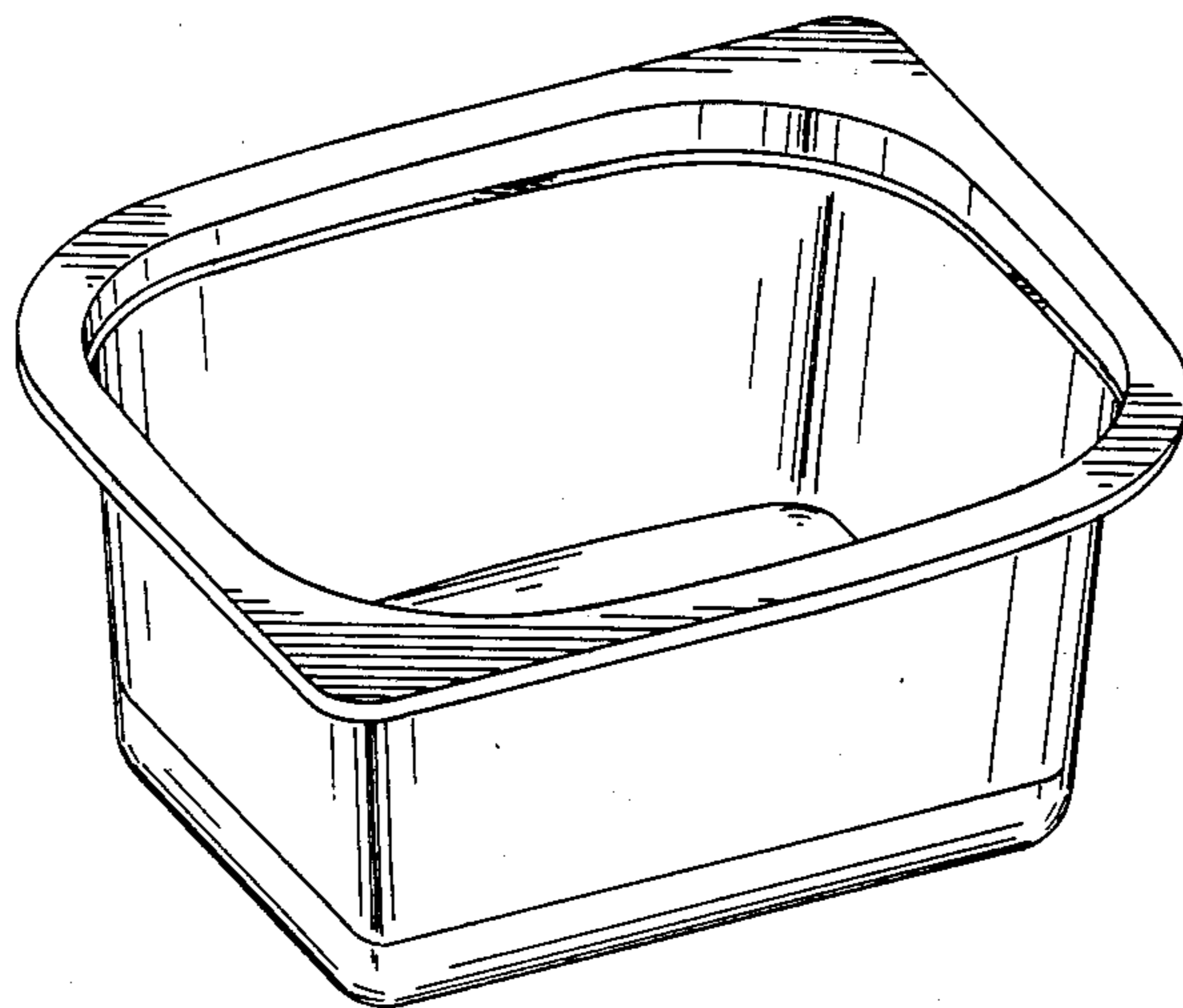


FIG. 1

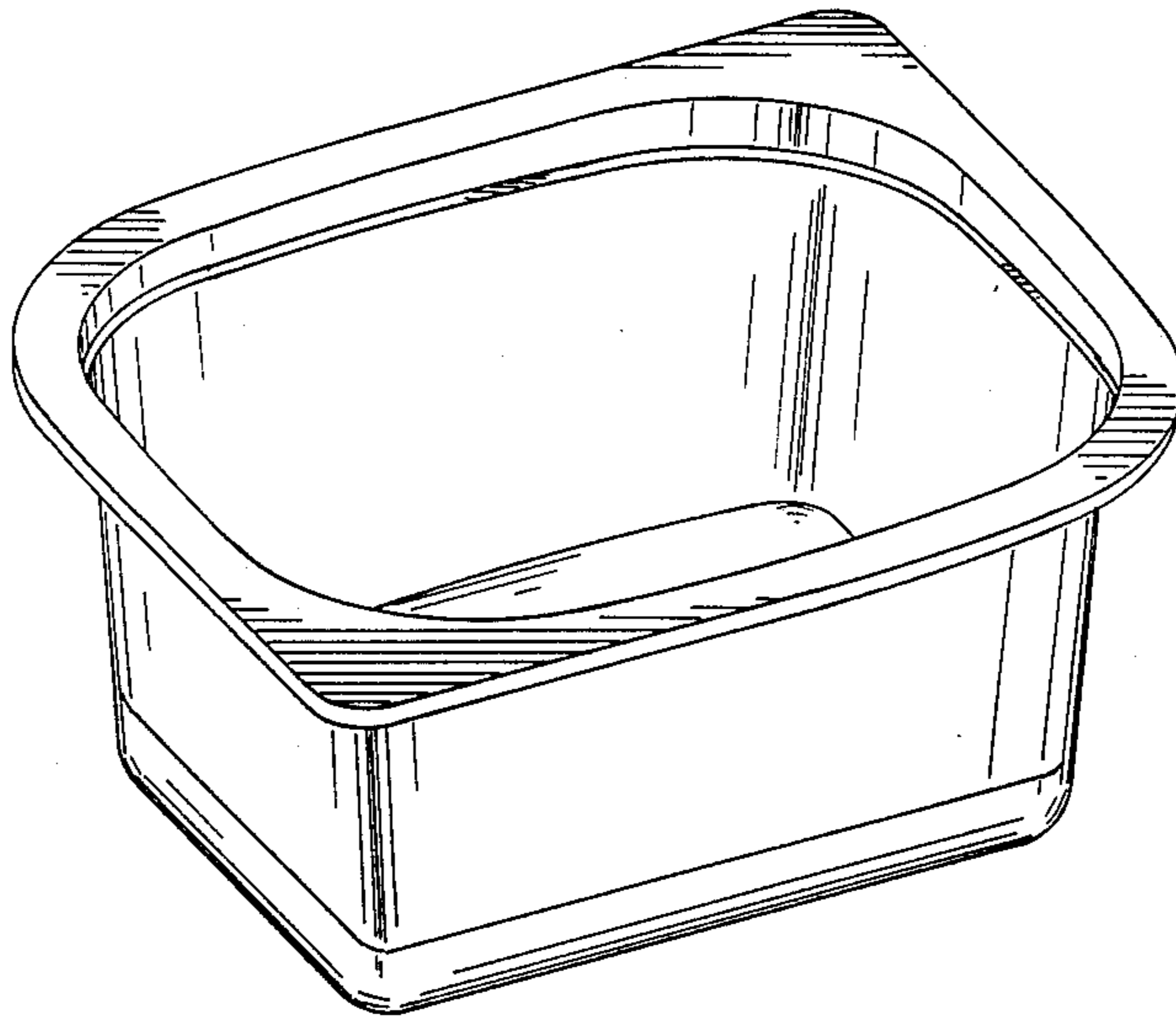


FIG. 2

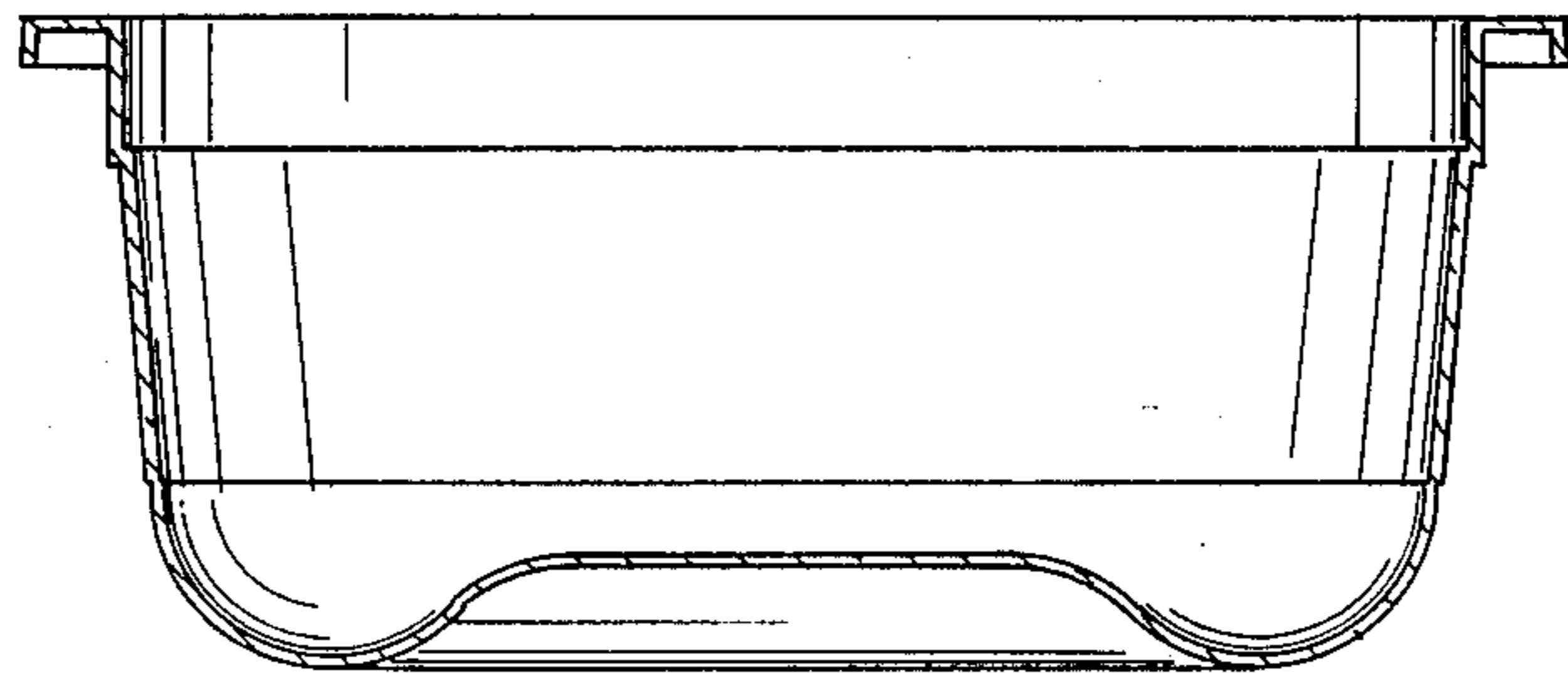
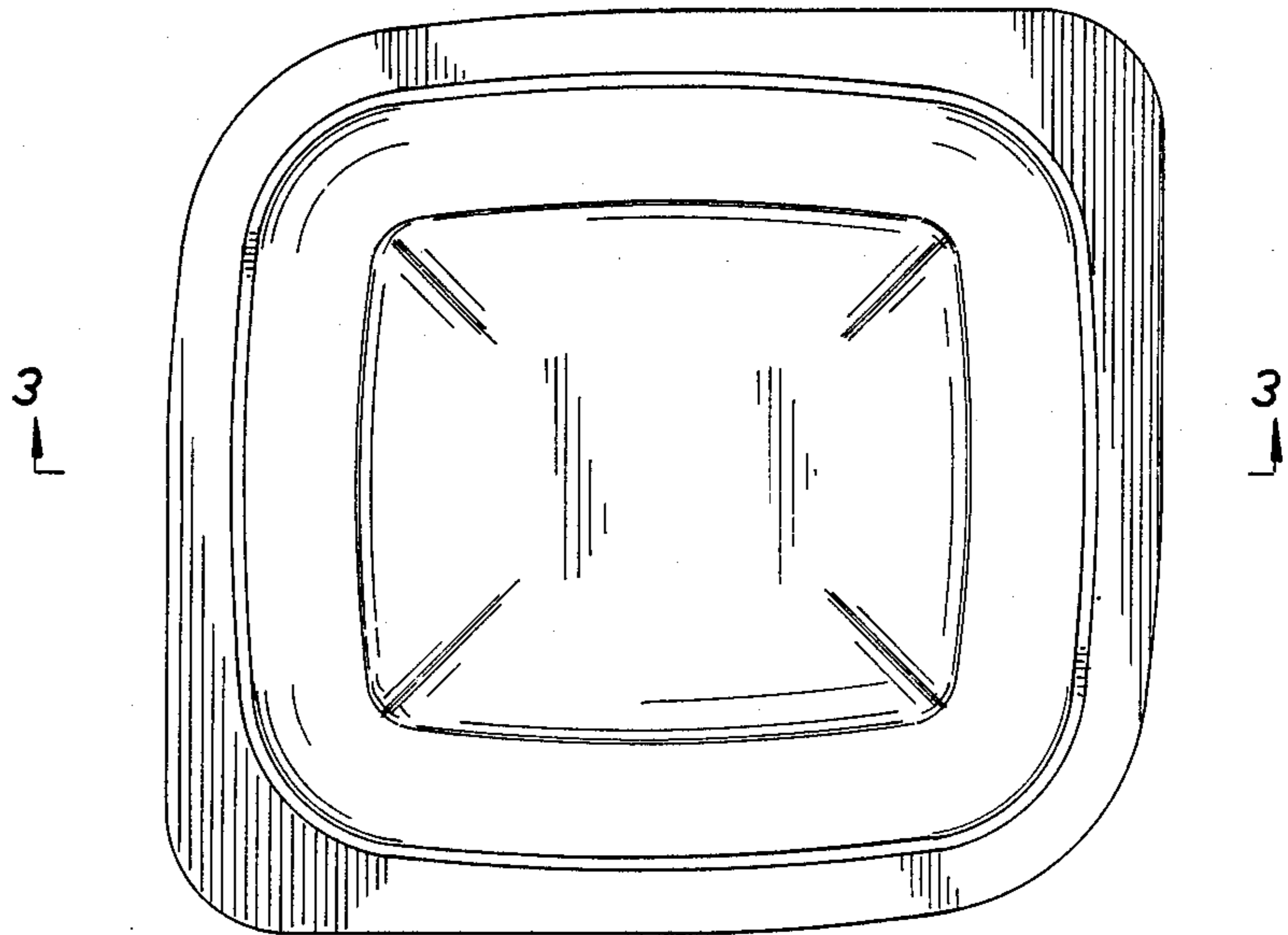


FIG. 3

FIG. 4

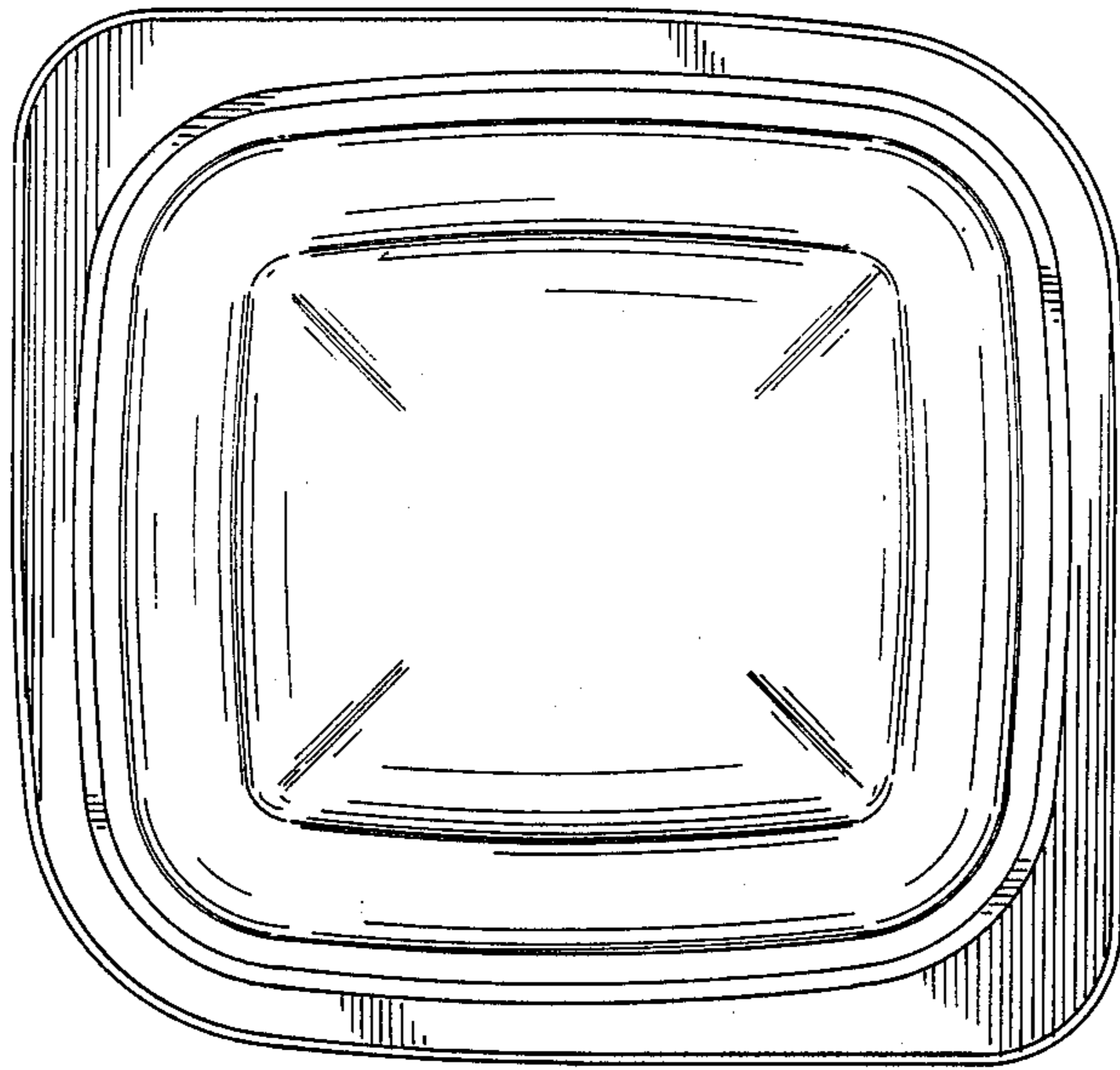


FIG. 5

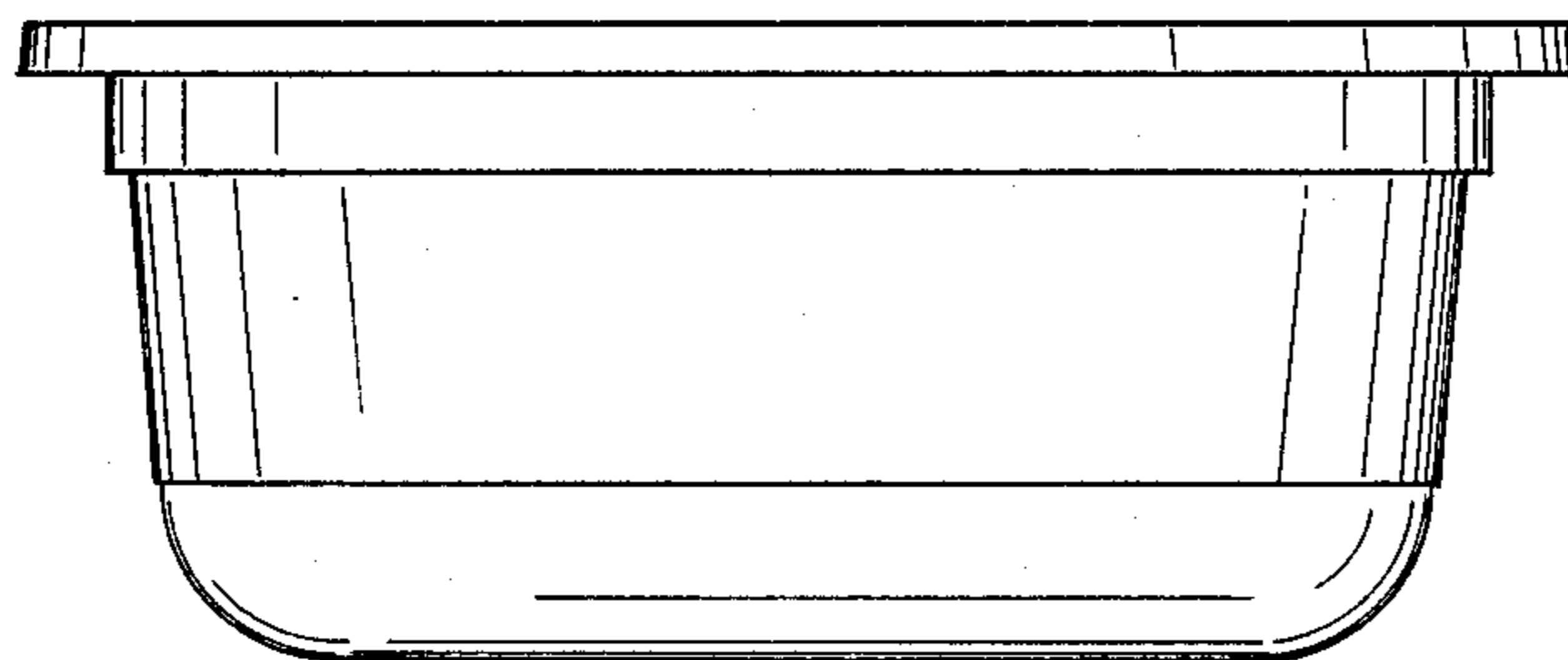
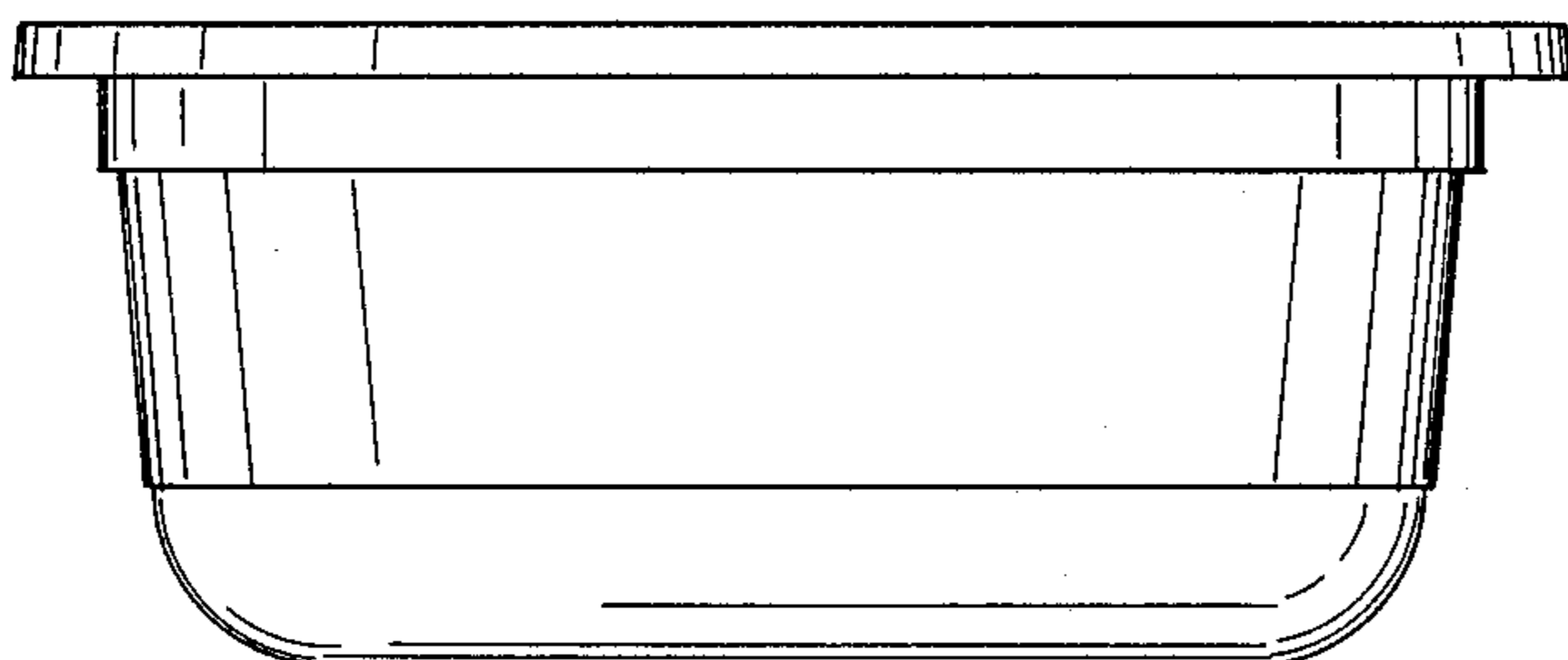


FIG. 6



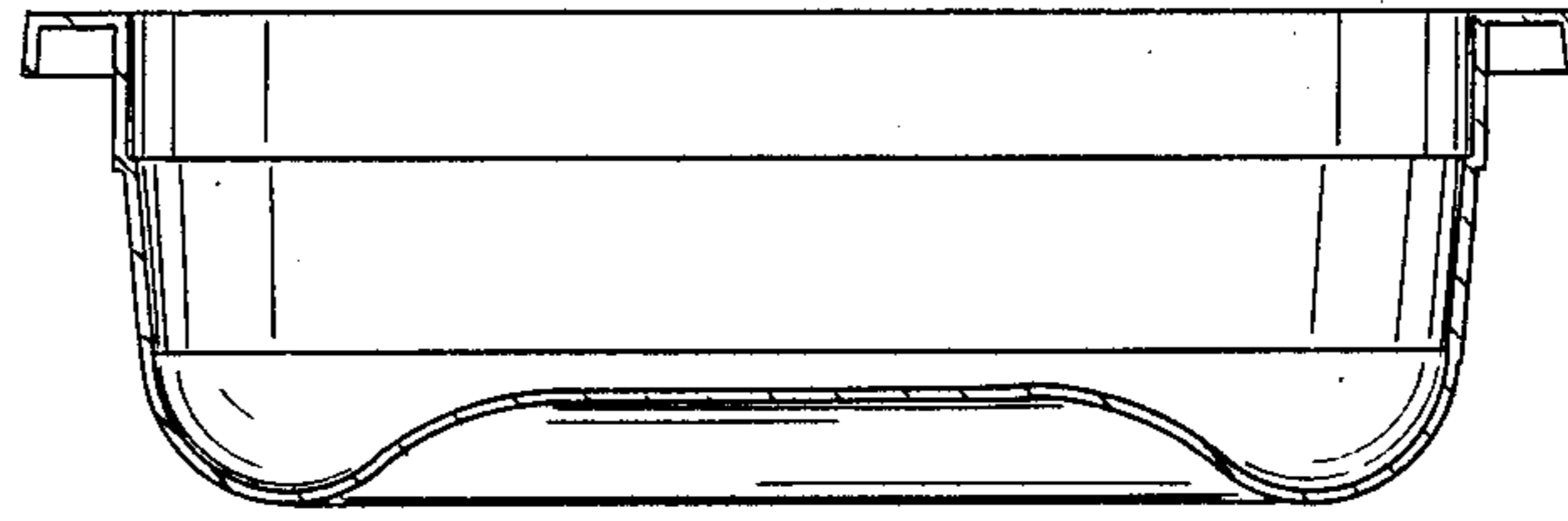


FIG. 7

7

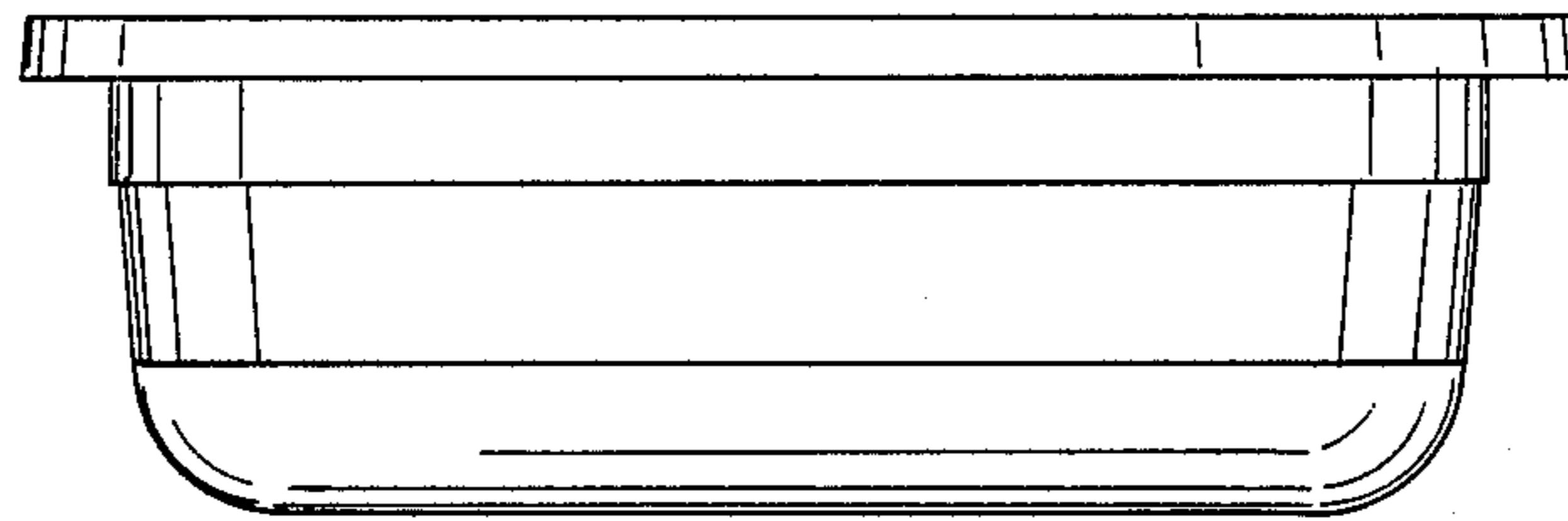


FIG. 8

7

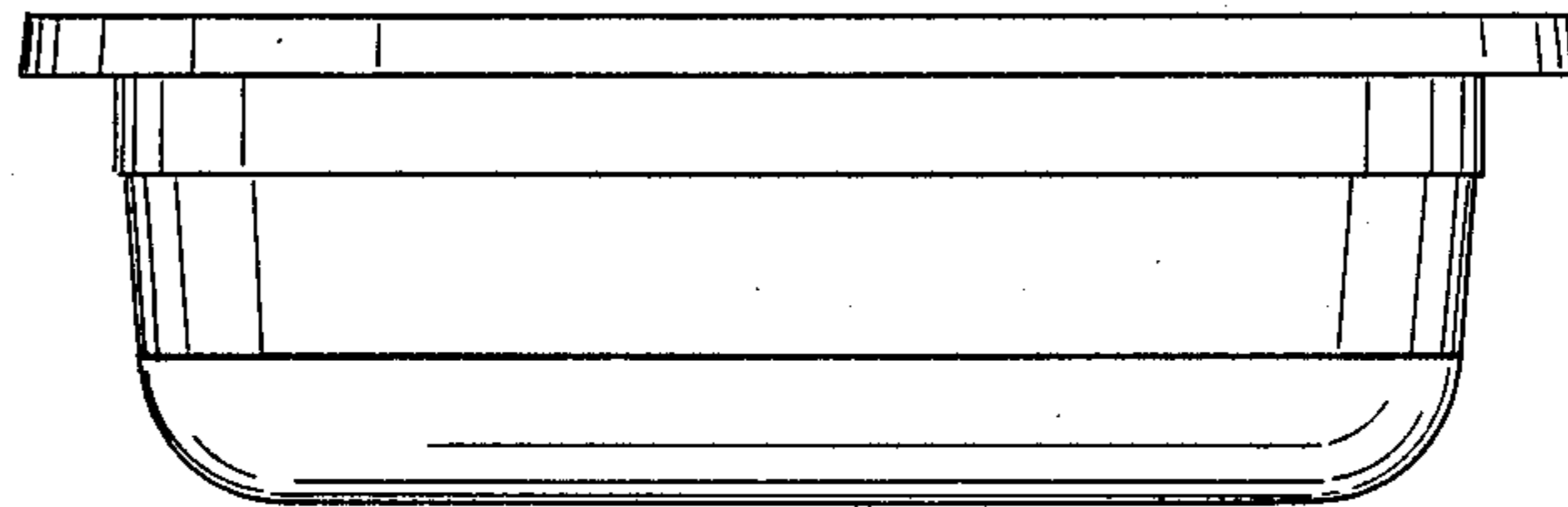


FIG. 9

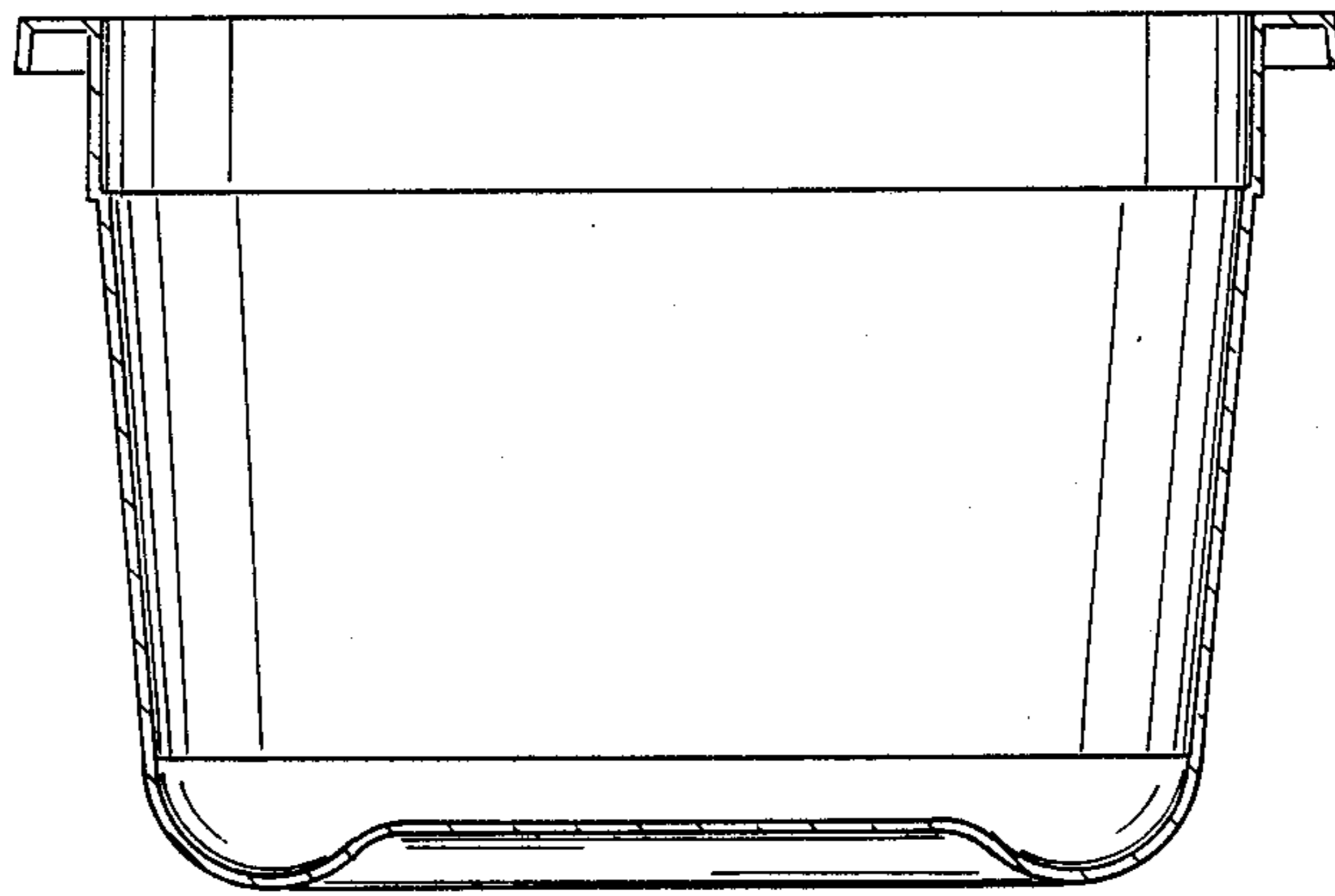


FIG. 10

10

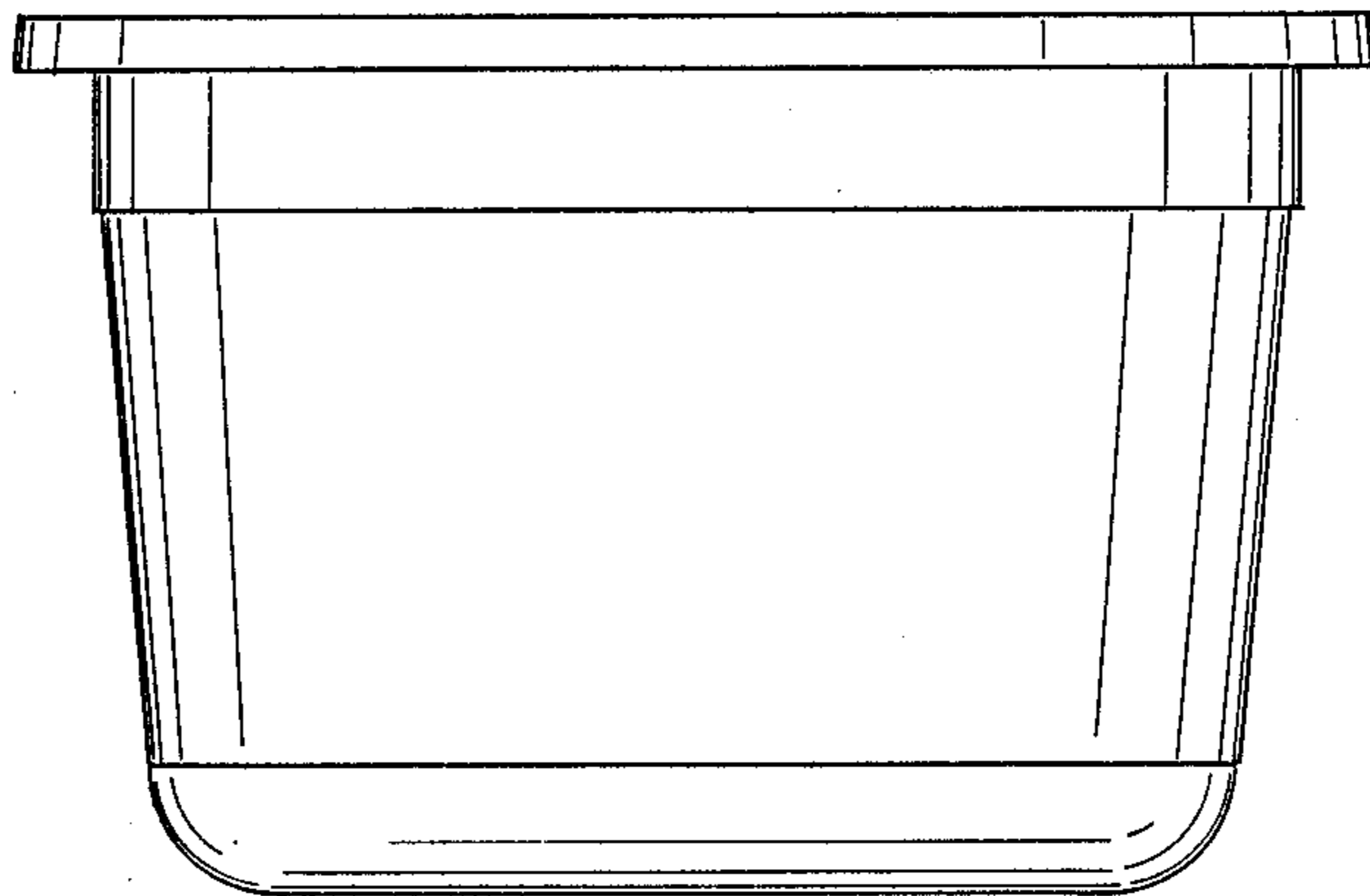


FIG. 11

10

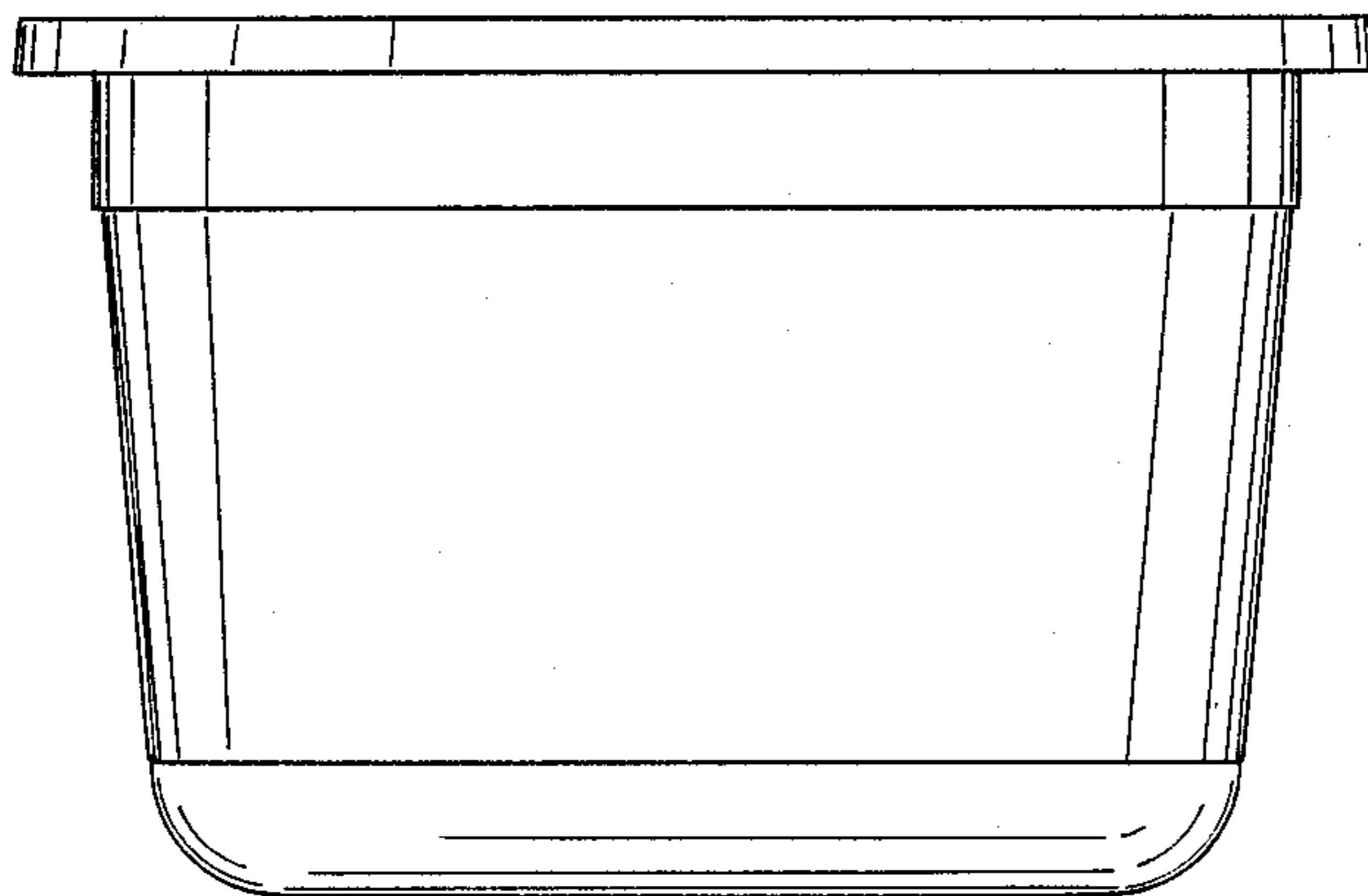


FIG. 12

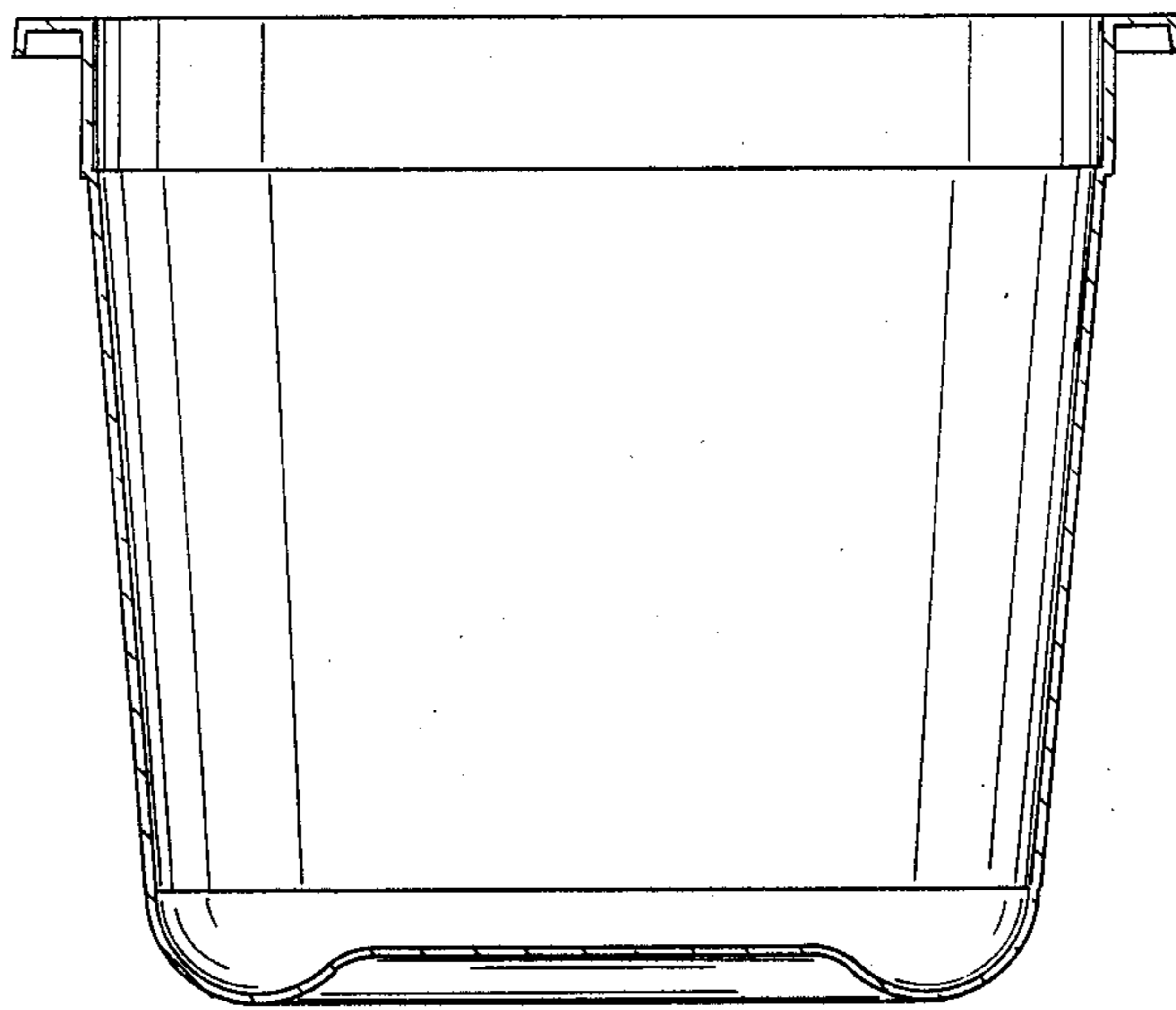


FIG. 13

13

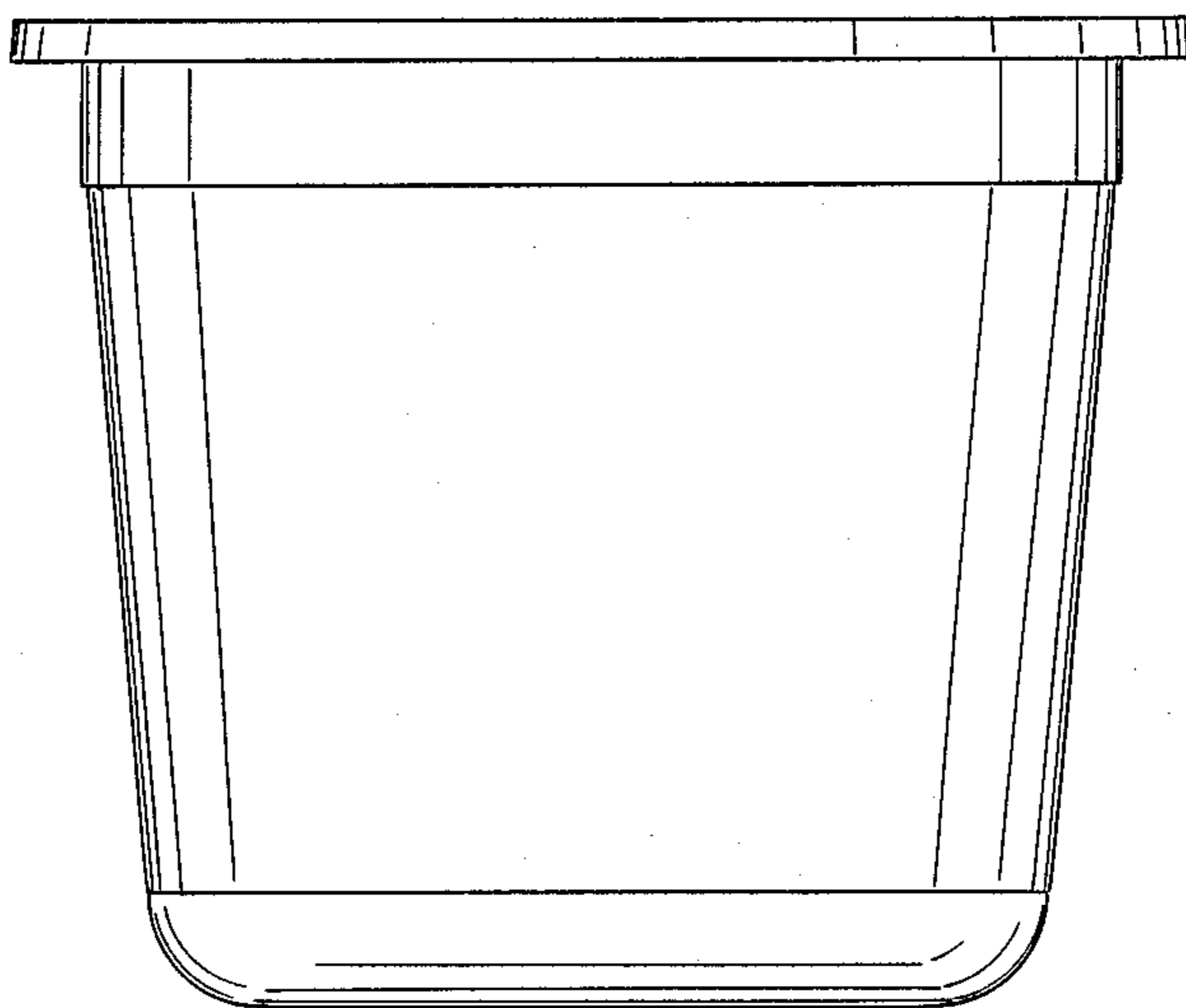


FIG. 14

13

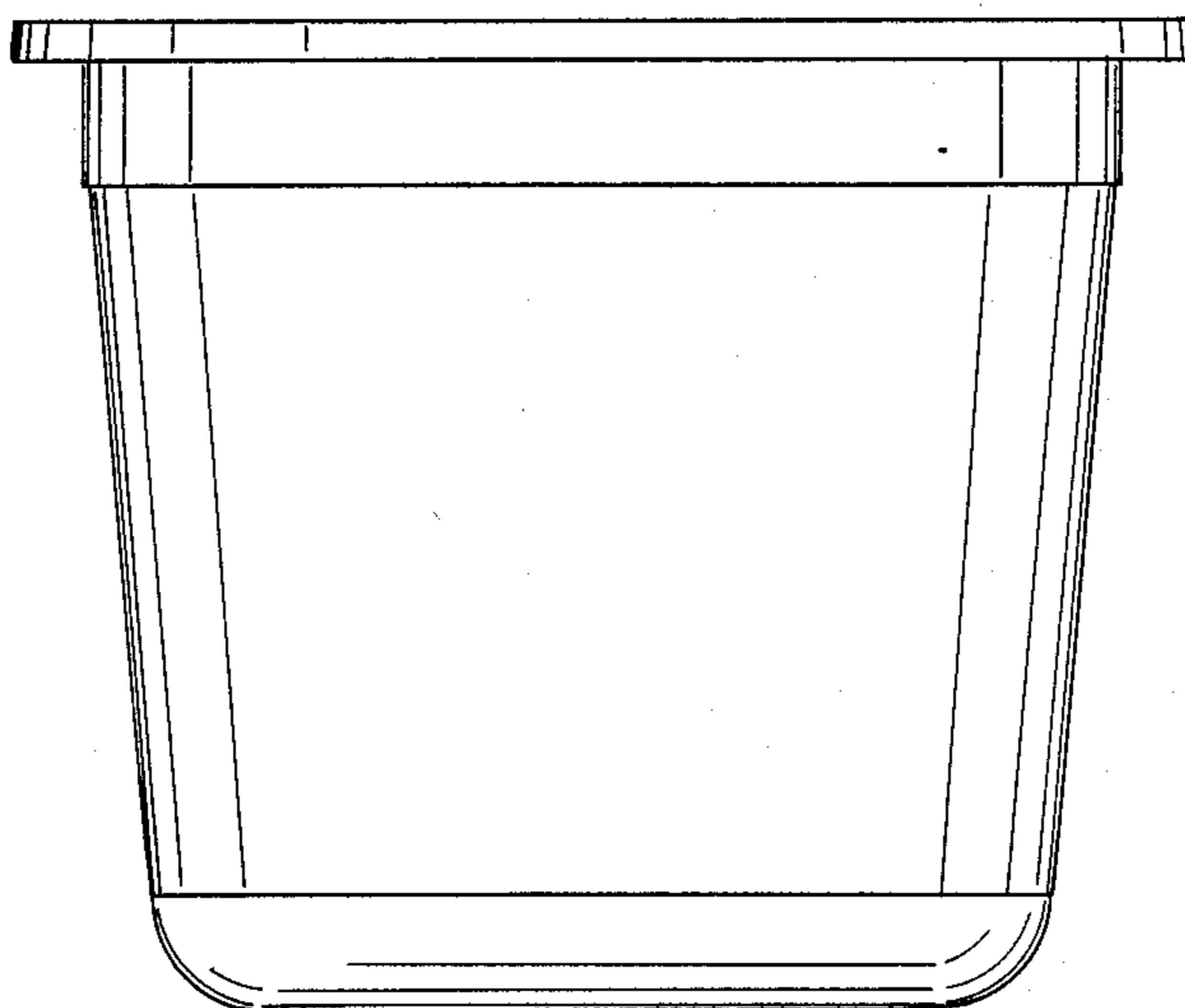


FIG. 15