

- [54] **WORK-STATION ORGANIZER FOR SUPPORTING PAPER ARTICLES**
- [75] Inventors: **Jean Beirise; John Coons**, both of Cincinnati, Ohio
- [73] Assignee: **Herman Miller, Inc.**, Zeeland, Mich.
- [\*\*] Term: **14 Years**
- [21] Appl. No.: **41,587**
- [22] Filed: **Apr. 22, 1987**
- [52] U.S. Cl. .... **D8/373; D19/90; D19/86; 211/35**
- [58] Field of Search ..... **D8/373; D6/566, 320; 211/35; D19/90, 80**

[56] **References Cited**

**U.S. PATENT DOCUMENTS**

D. 172,528	6/1954	Zipkin .....	D19/90
D. 182,714	5/1958	Dowdall .....	D6/566
D. 191,520	10/1961	Spielman .....	D6/566
D. 201,411	6/1965	Tucker .....	D19/90
D. 221,703	8/1971	Fleming .....	D19/90
D. 236,570	9/1975	Dagard .....	D19/90
D. 252,334	7/1979	Sinoll .....	D19/90
D. 261,011	9/1981	Brown .....	D19/90
D. 277,969	3/1985	Bustes .....	D19/90 X
D. 290,141	6/1987	Rubig .....	D19/90
D. 291,900	9/1987	Mortensen .....	D19/90 X
D. 301,490	6/1989	Horowitz .....	D19/90
D. 304,462	11/1989	Evans .....	D19/90
D. 306,040	6/1989	Evenson .....	D19/90
819,777	5/1906	MacDonald .....	211/35
2,017,413	10/1935	La Mort .....	211/35
2,555,020	5/1951	Aurin .....	211/35
2,965,237	12/1960	Wells .....	211/35
3,002,629	10/1961	Gersin et al. ....	D6/320 X
3,123,850	3/1964	Piken .....	211/35 X
4,008,807	2/1977	Phillips .....	211/34

**OTHER PUBLICATIONS**

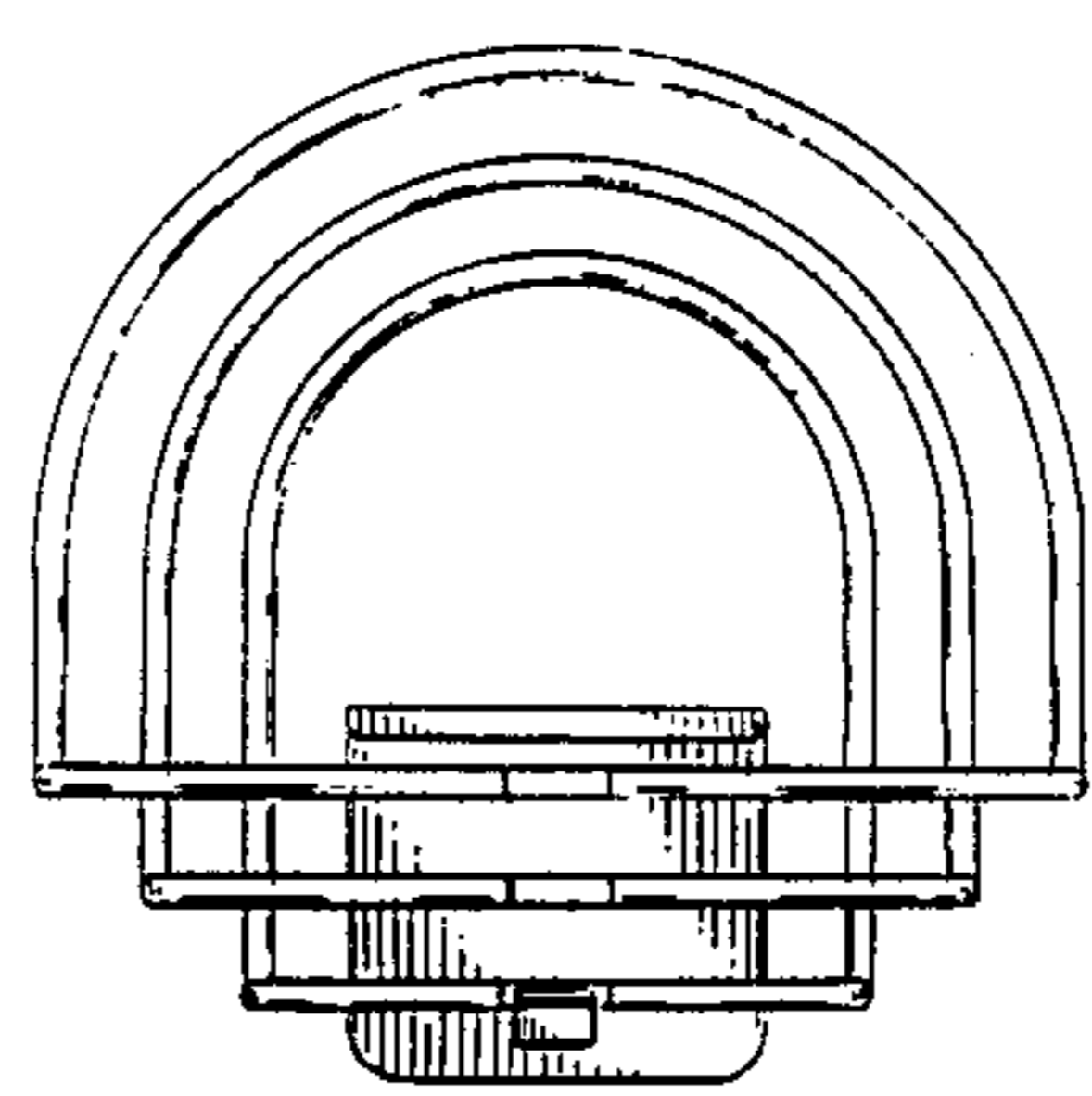
Architectural Graphic Standards ©1981; Storage Ster-

ling, Perforated Board Fixtures at p. 516; *Single Double Hooks*:  
 Hordsome Rewards Ad: Brass Letter File.  
*Primary Examiner*—Horace B. Fay, Jr.  
*Attorney, Agent, or Firm*—Varnum, Riddering, Schmidt & Howlett

[57] **CLAIM**  
 The ornamental design for a work-station organizer for supporting paper articles, as shown and described.

**DESCRIPTION**

FIG. 1 is a perspective view of a first embodiment of our work-station organizer for supporting paper articles design;  
 FIG. 2 is a front elevational view thereof;  
 FIG. 3 is a right-side elevational view thereof;  
 FIG. 4 is a plan view thereof;  
 FIG. 5 is a rear elevational view of a second embodiment of our work-station organizer for supporting papers articles design;  
 FIG. 6 is a right-side elevational view thereof;  
 FIG. 7 is a rear elevational view of a third embodiment of our work-station organizer for supporting paper articles design;  
 FIG. 8 is a left-side elevational view thereof;  
 FIG. 9 is a plan view thereof;  
 FIG. 10 is a perspective view of a fourth embodiment of our work-station organizer for supporting paper articles design;  
 FIG. 11 is a rear elevational view thereof;  
 FIG. 12 is a right-side elevational view thereof;  
 FIG. 13 is a plan view thereof;  
 FIG. 14 is a perspective view of a fifth embodiment of our work-station organizer for supporting paper articles design;  
 FIG. 15 is a rear elevational view thereof;  
 FIG. 16 is a right-side elevational view thereof; and  
 FIG. 17 is a plan view thereof.



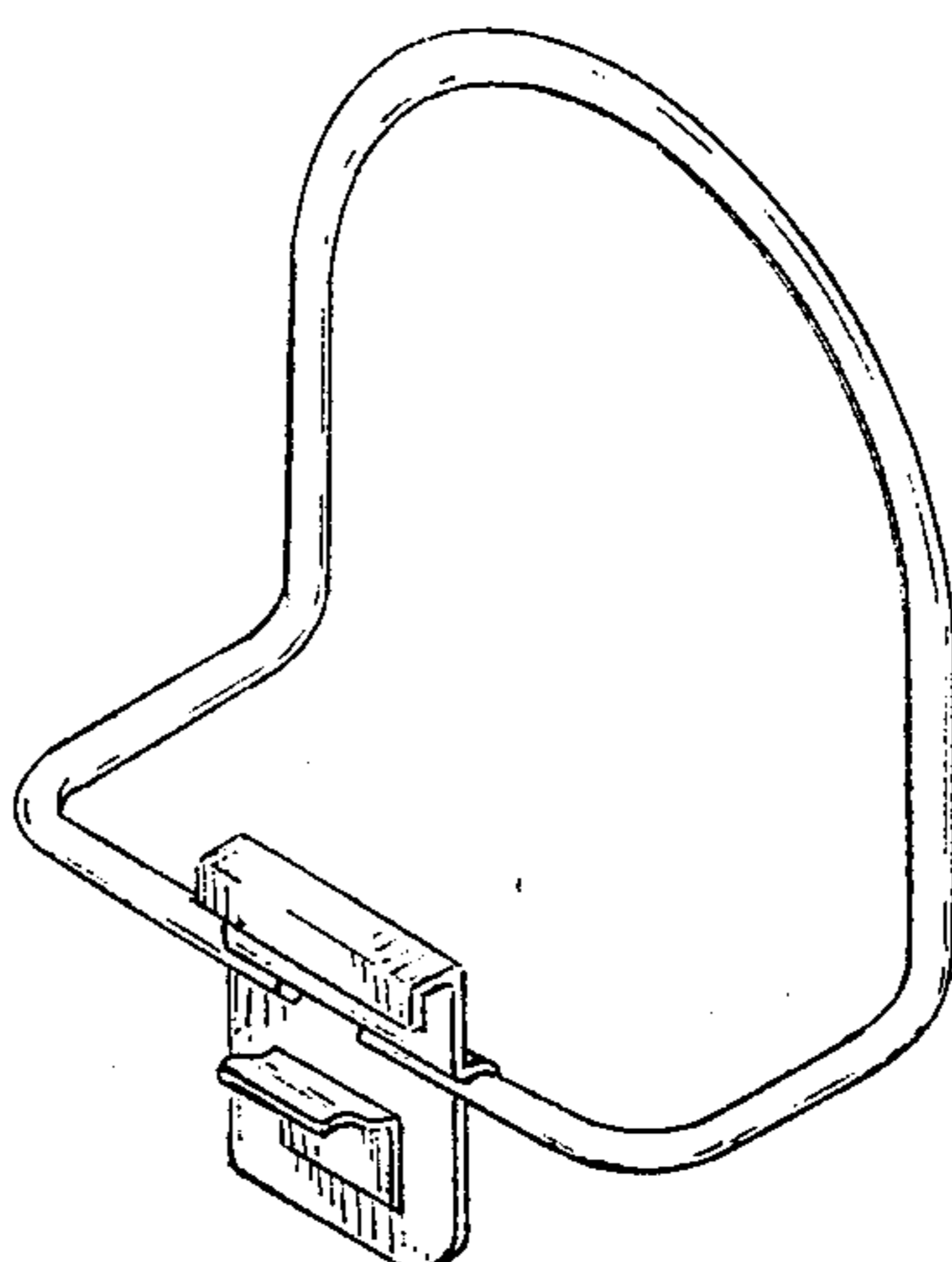


FIG. 1

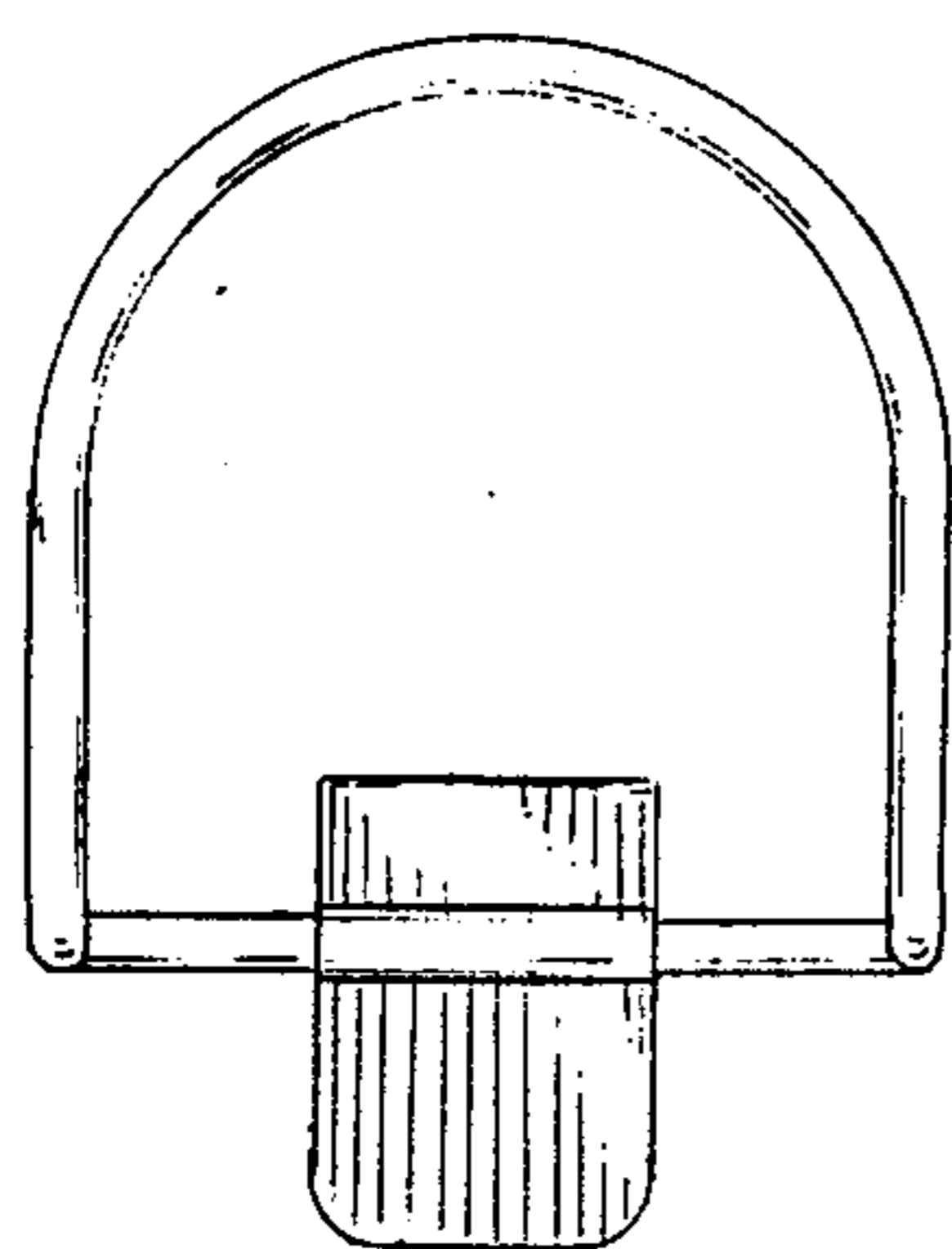


FIG. 2

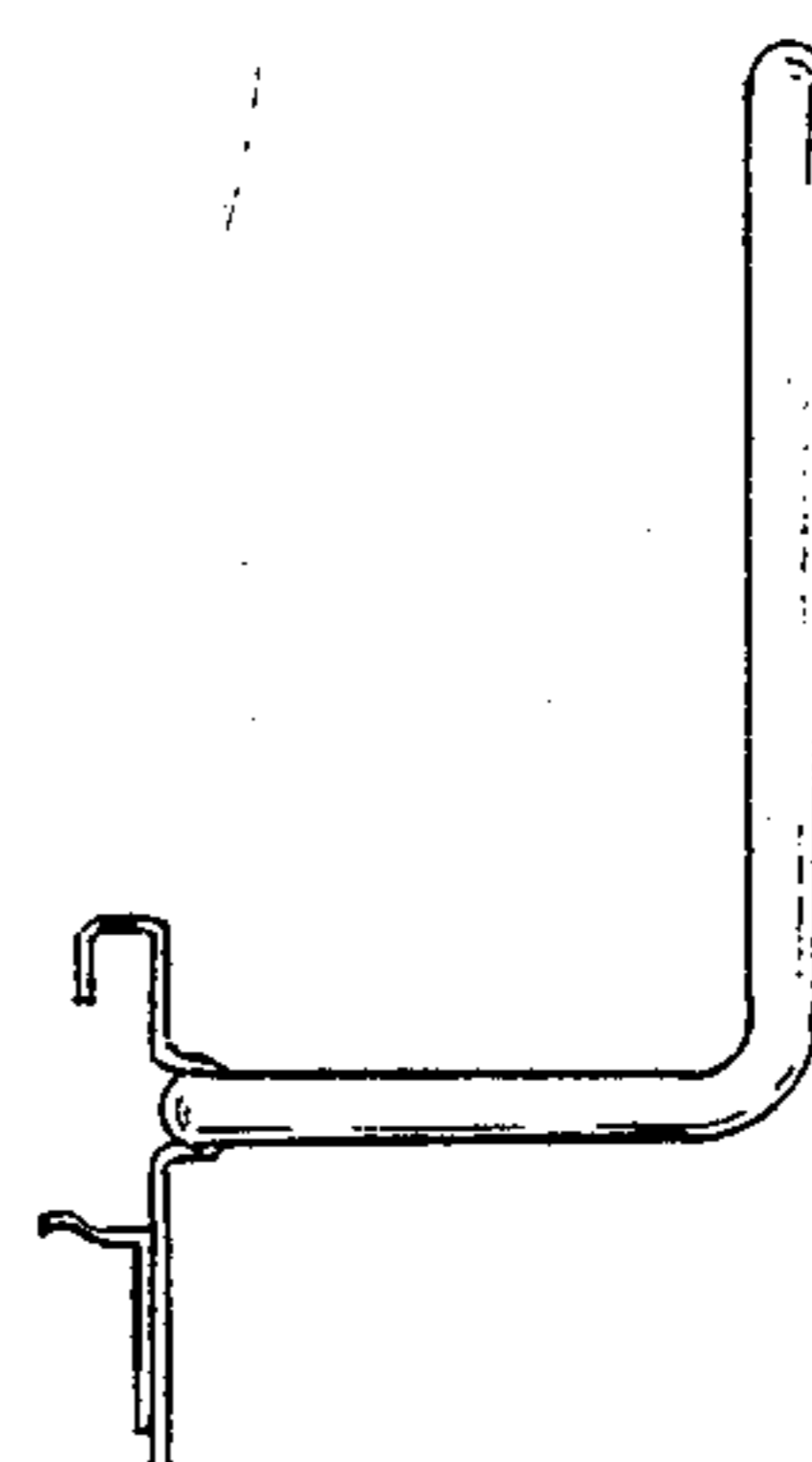


FIG. 3

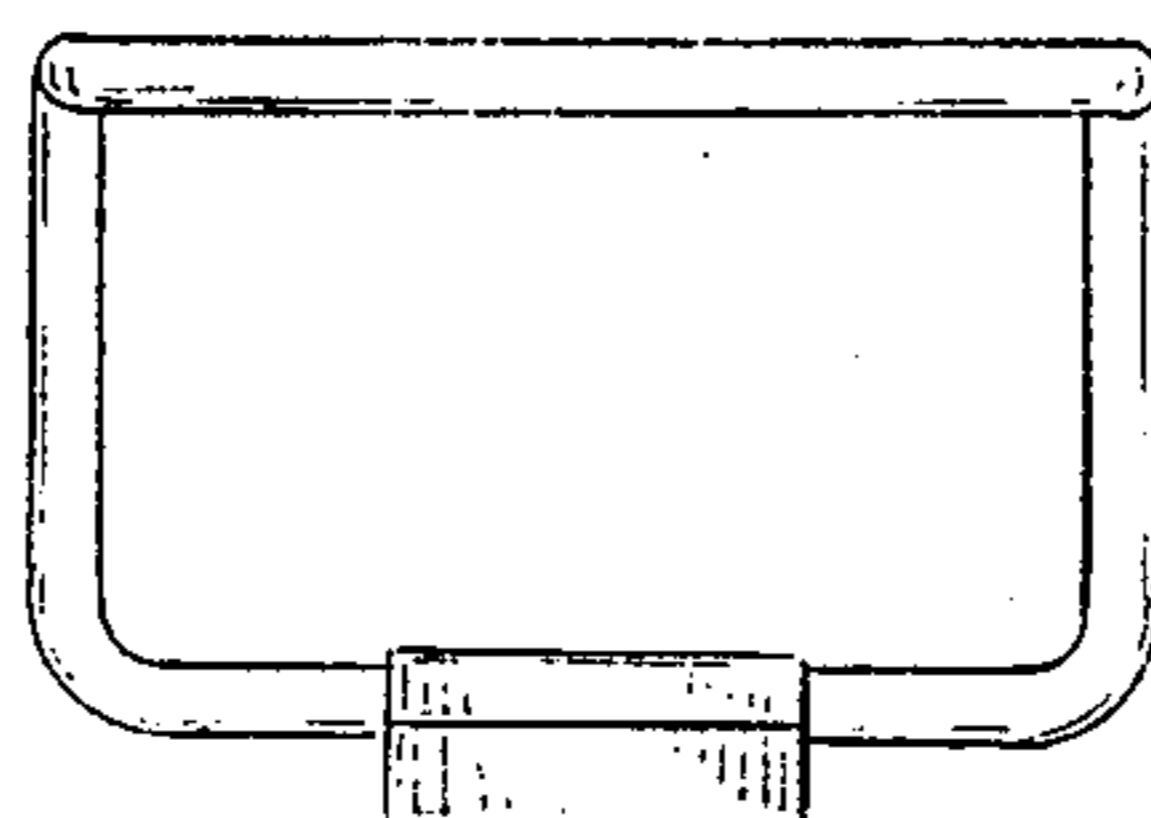


FIG. 4

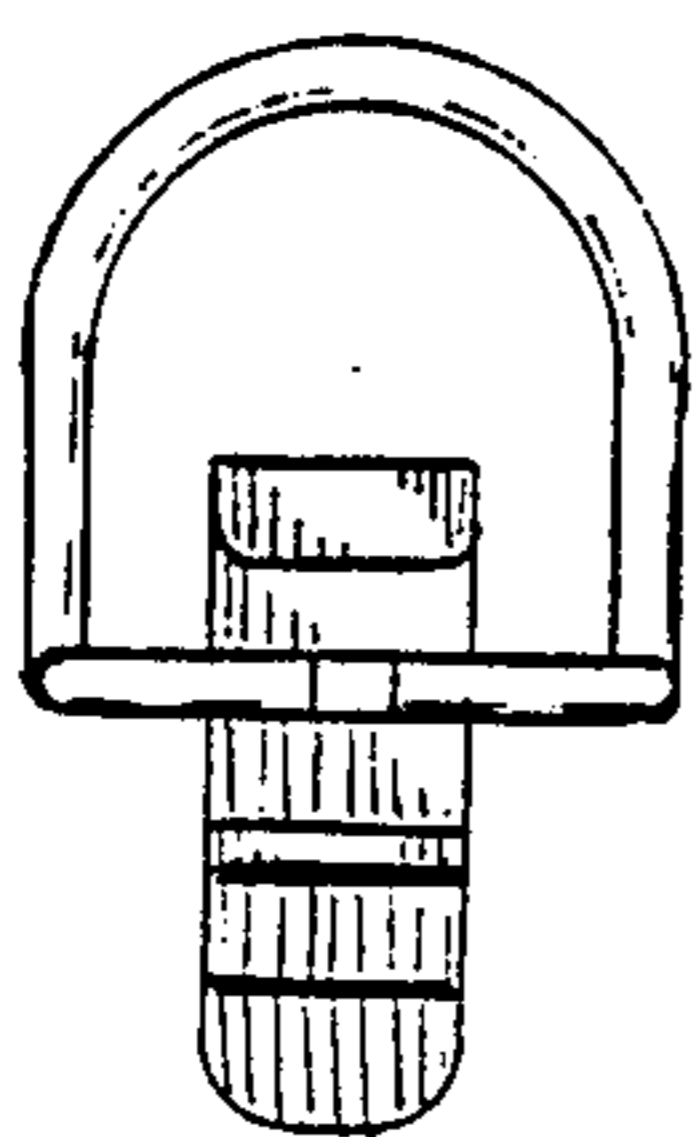


FIG. 5

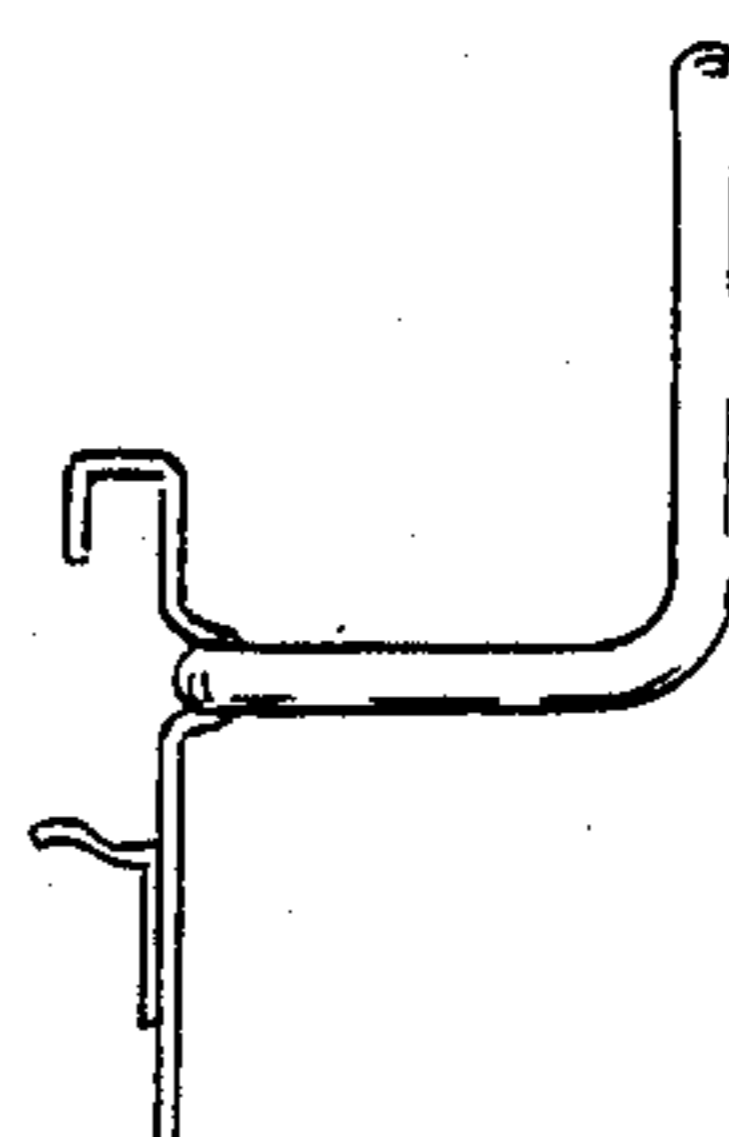


FIG. 6

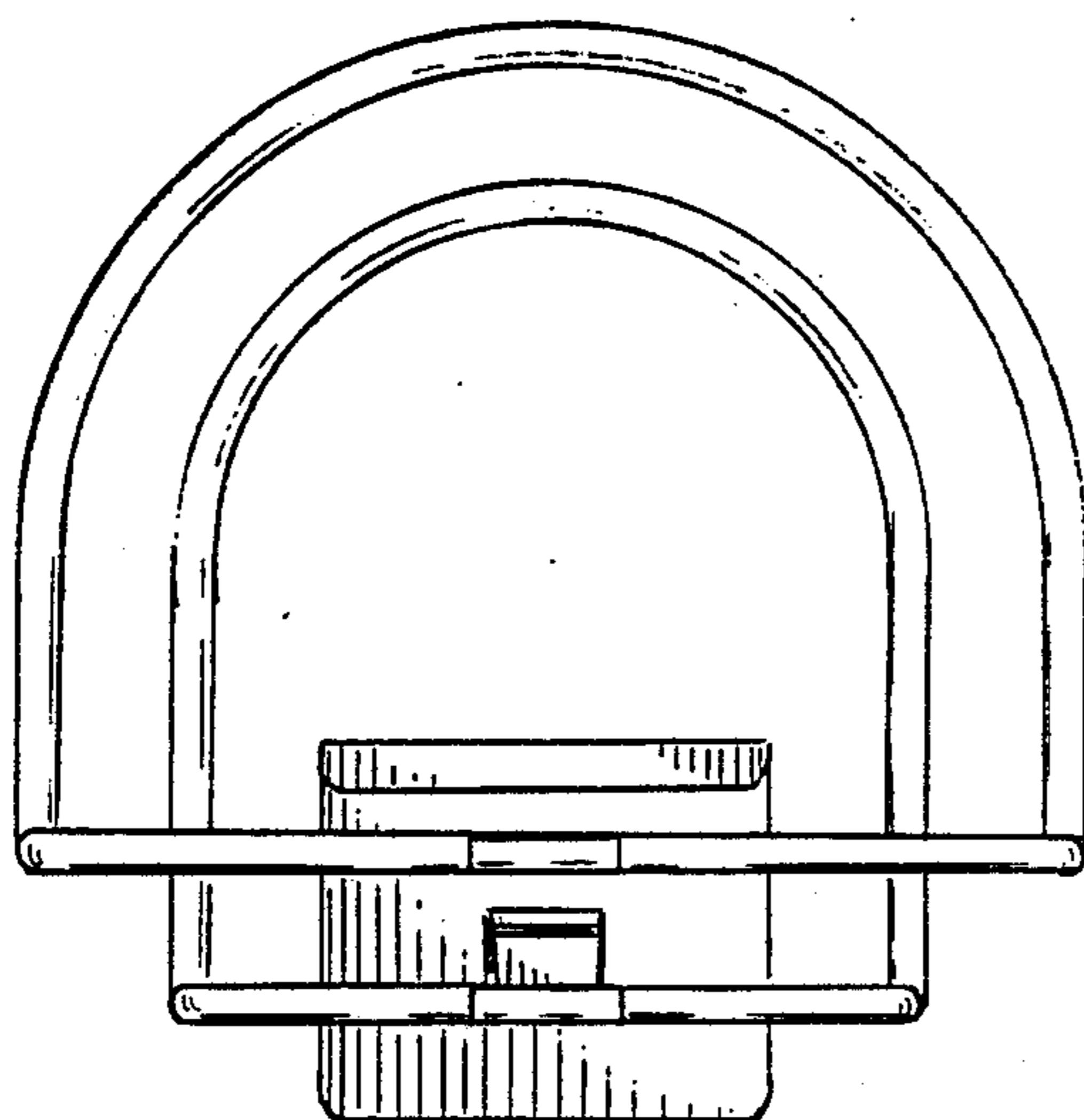


FIG. 7

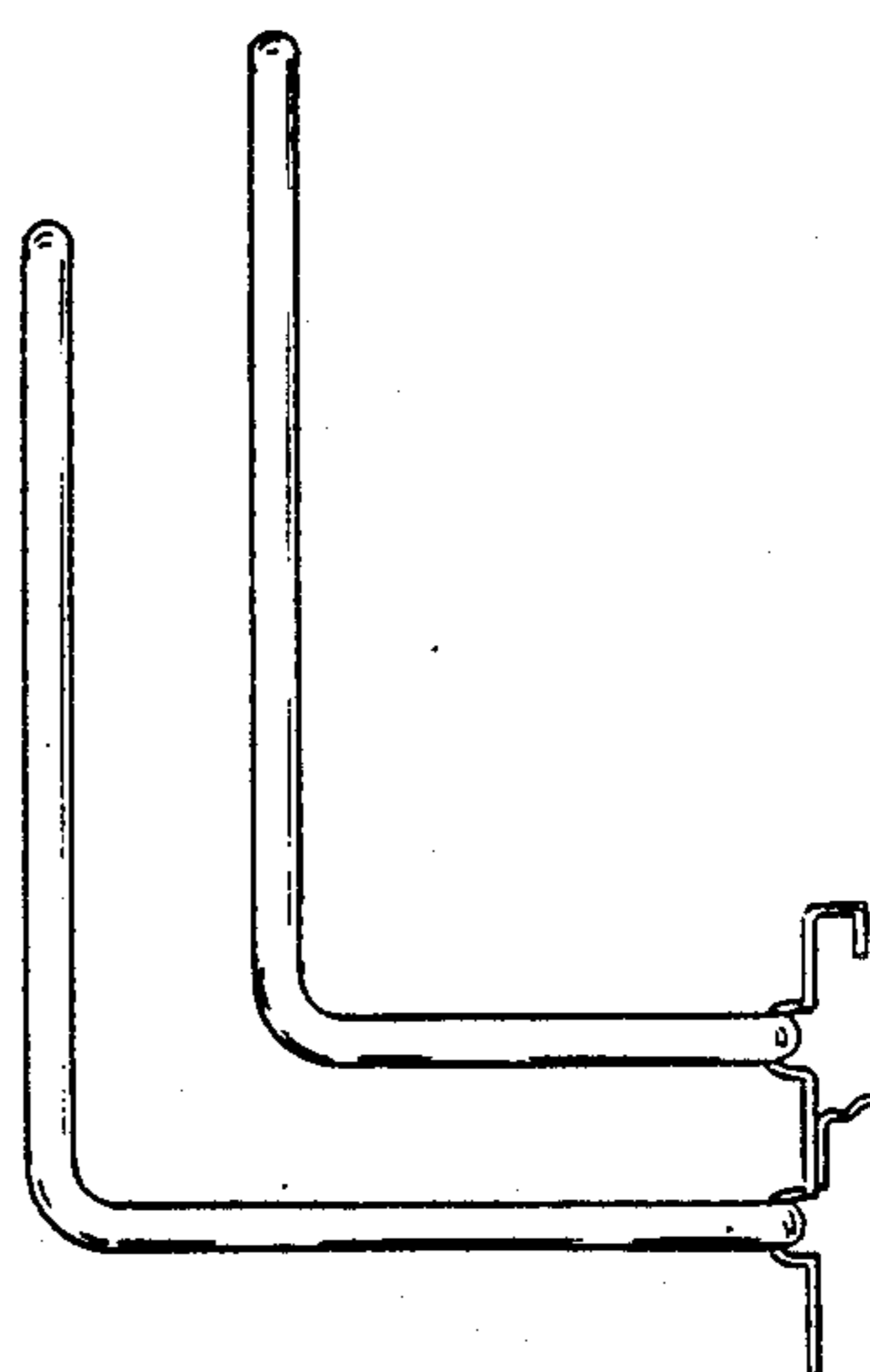


FIG. 8

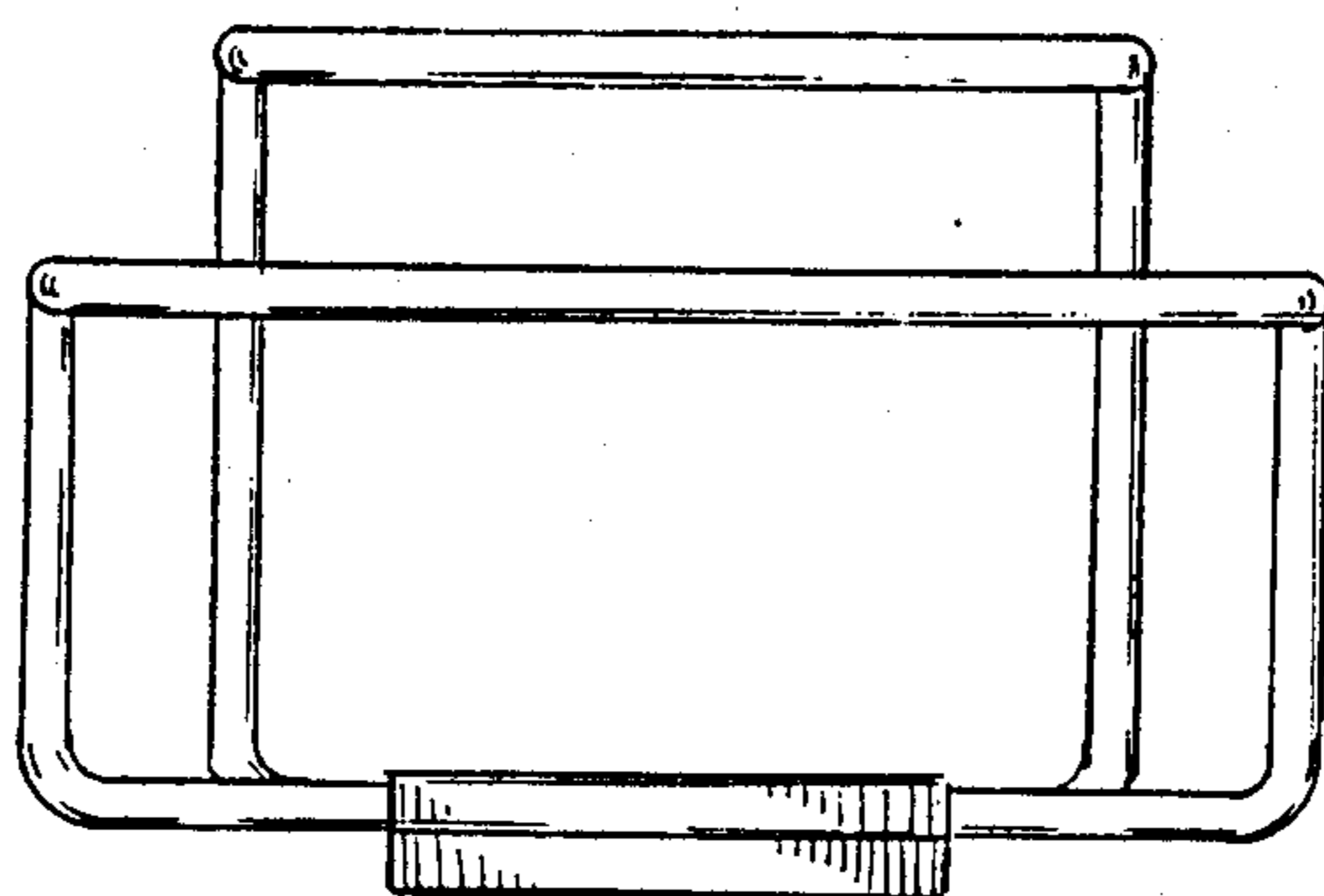


FIG. 9

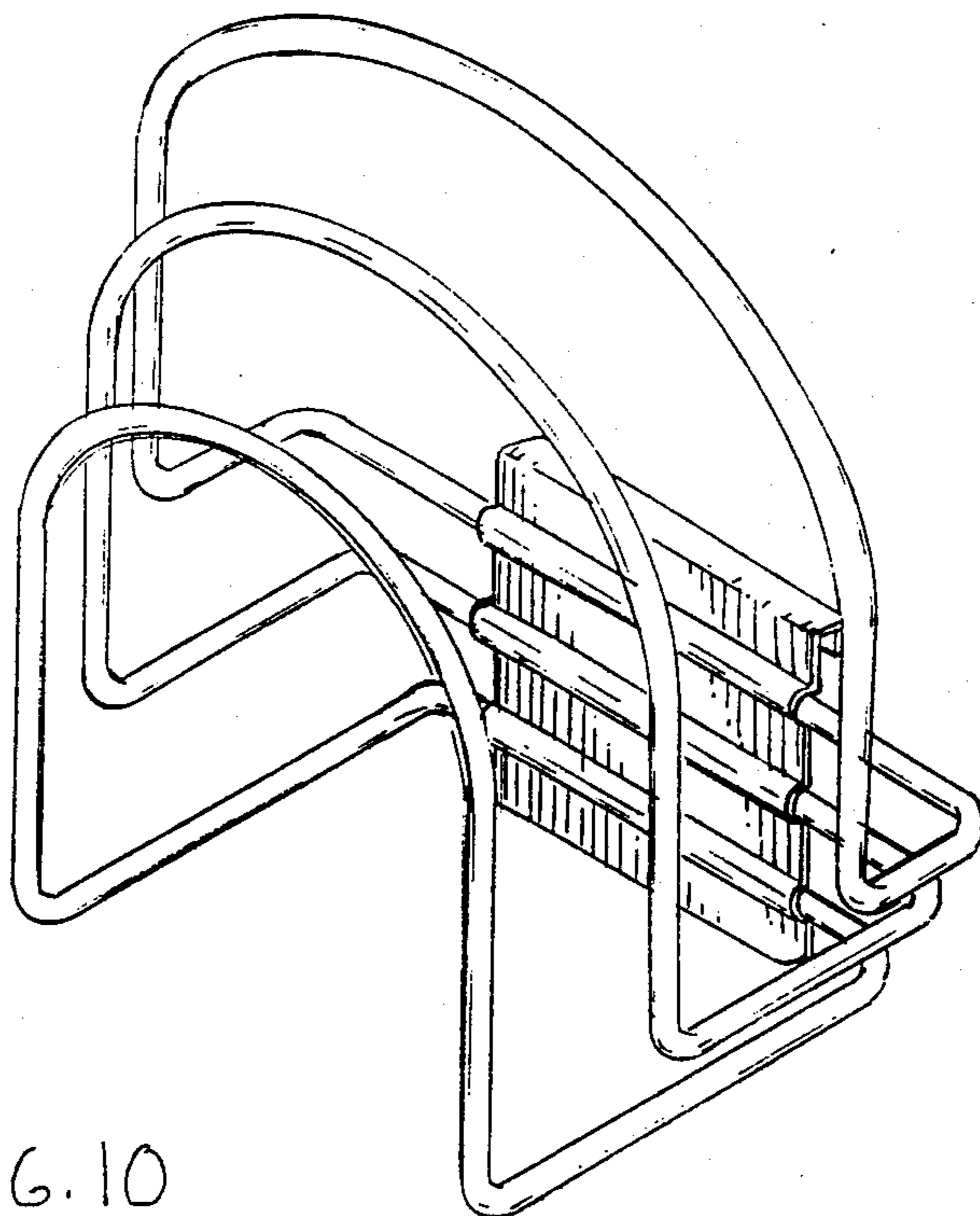


FIG. 10

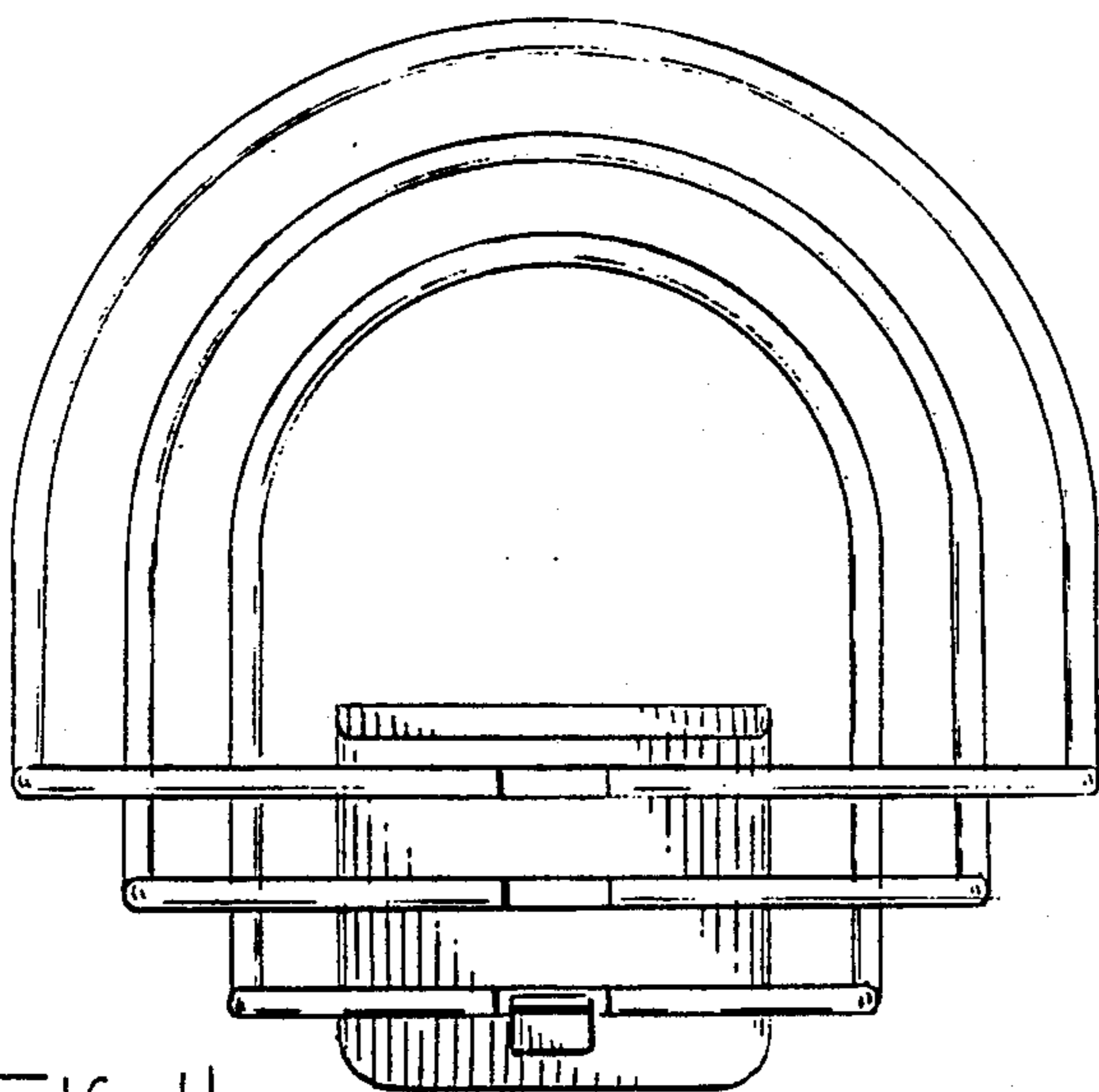


FIG. 11

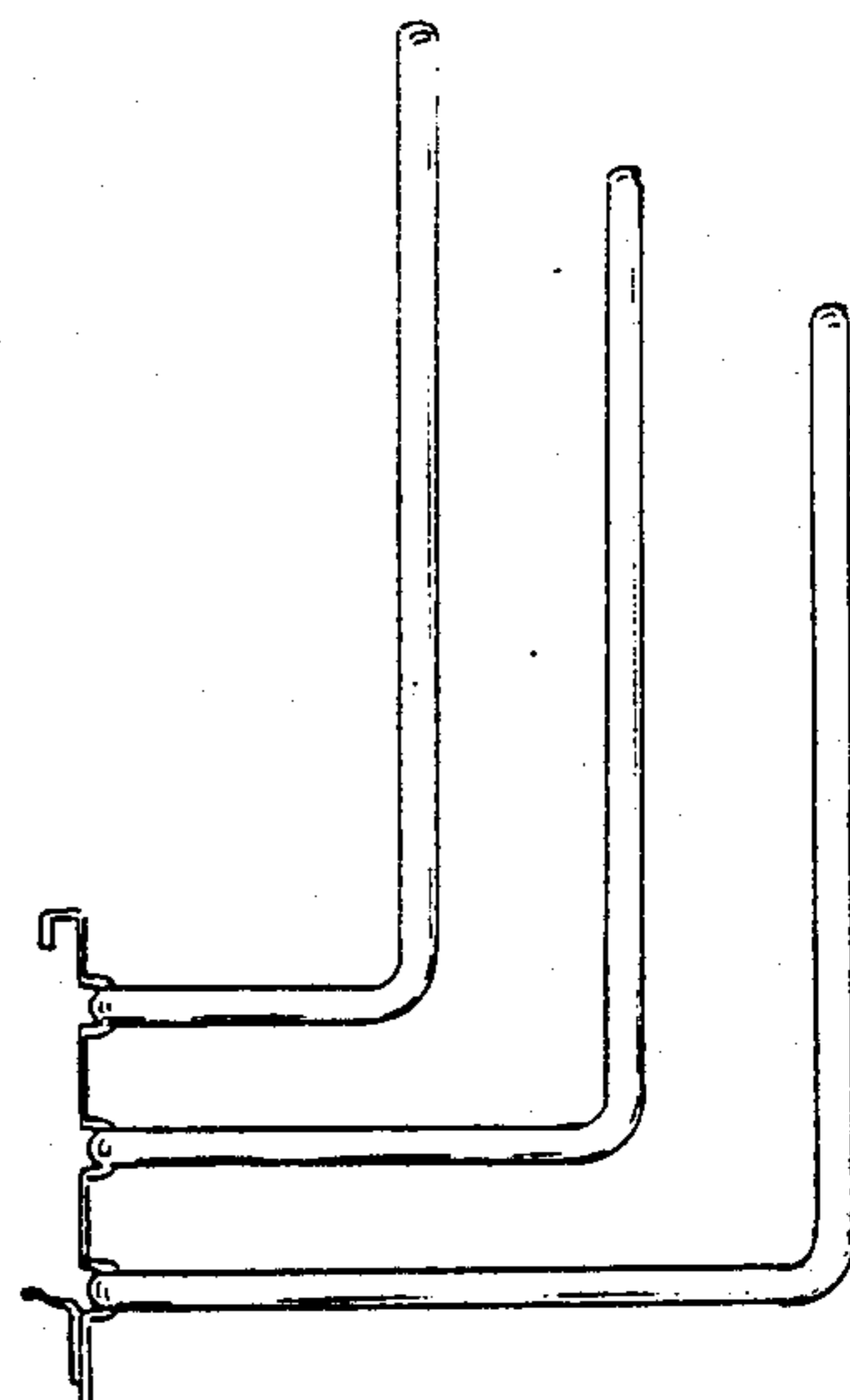


FIG. 12

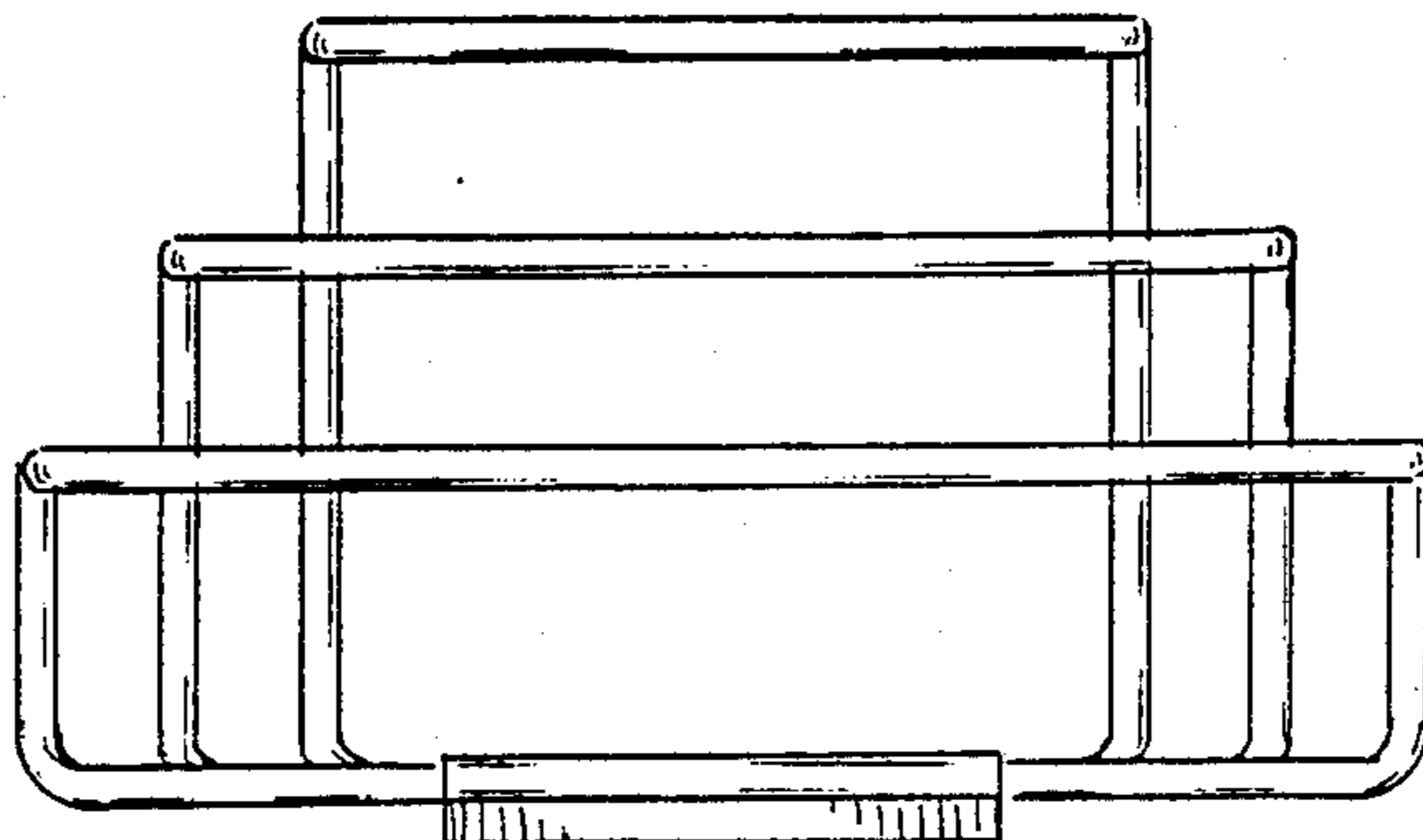


FIG. 13



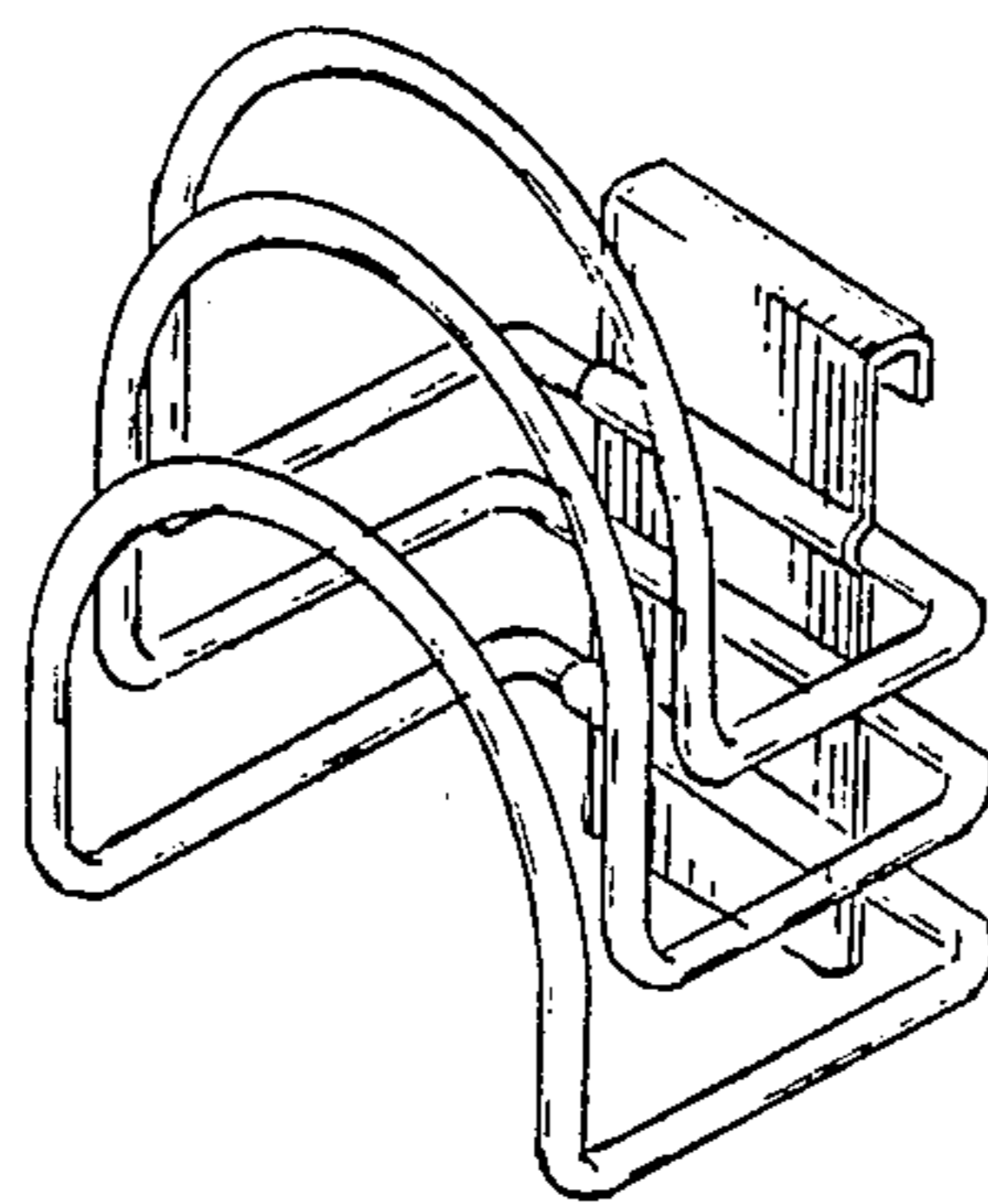


FIG. 14

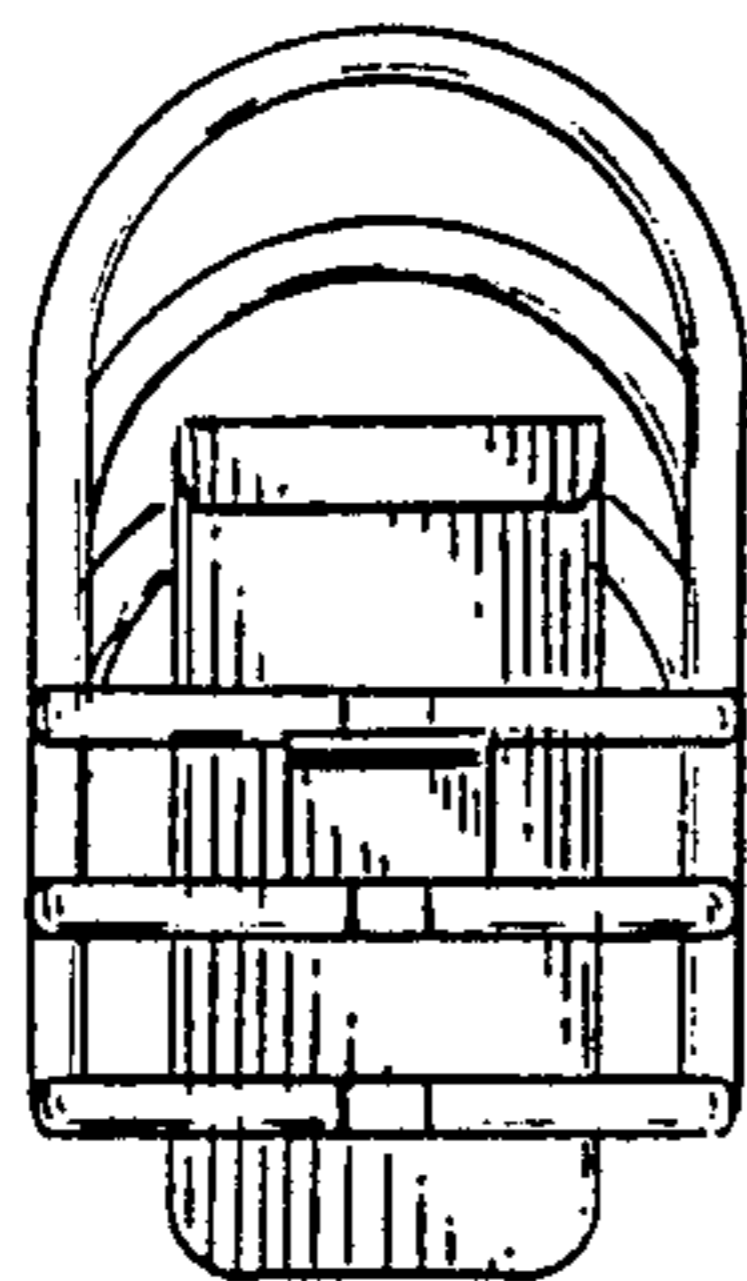


FIG. 15

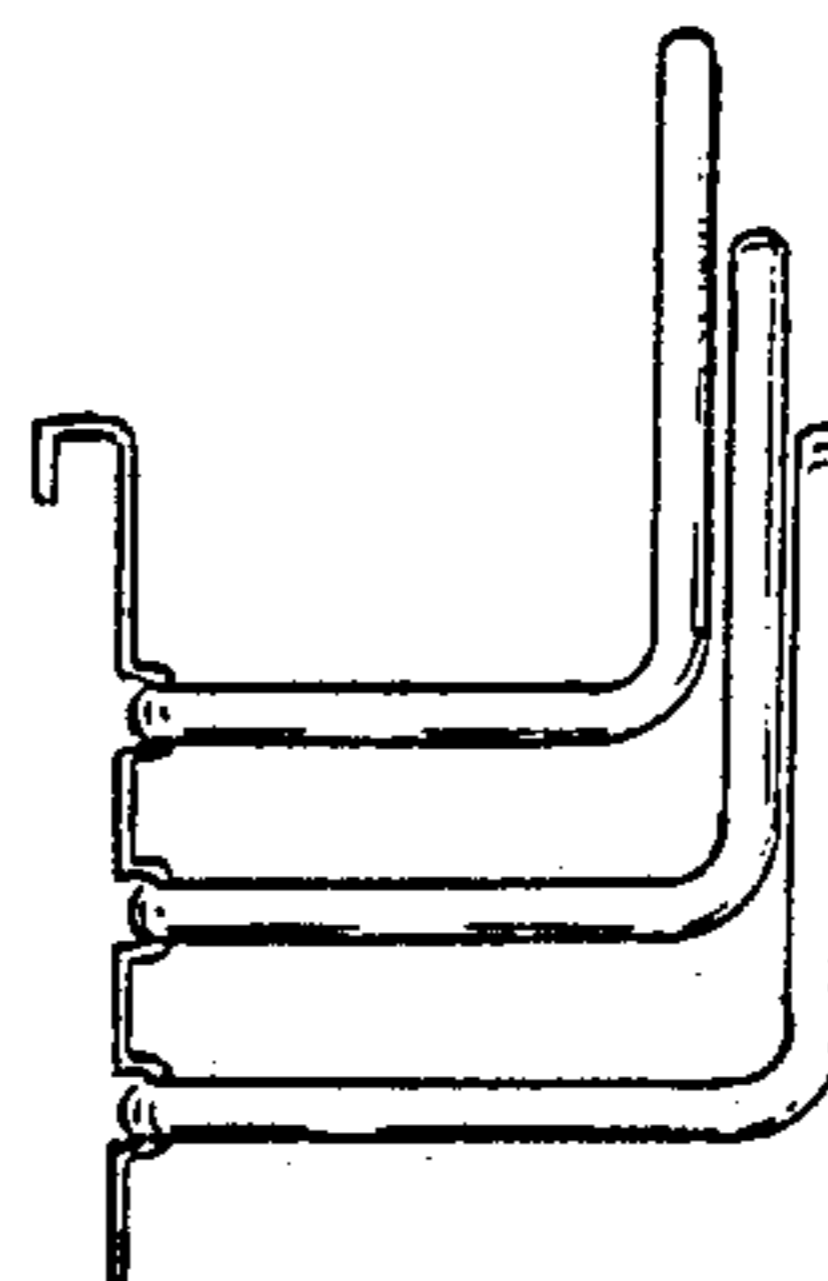


FIG. 16

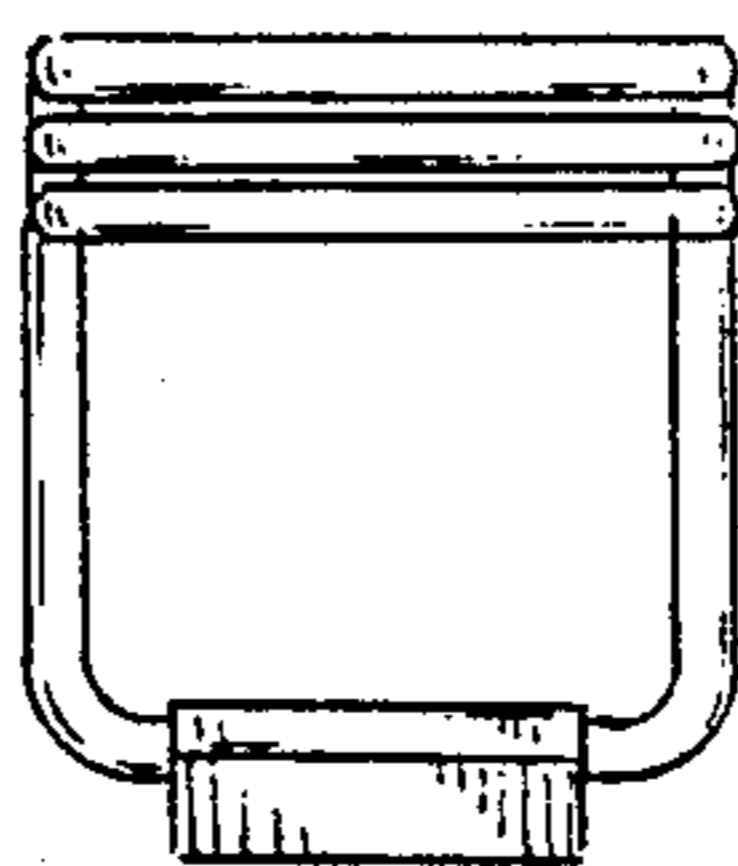


FIG. 17