

United States Patent [19]

MacFarlane

[11] Patent Number: Des. 313,543

[45] Date of Patent: ** Jan. 8, 1991

[54] HASP-TYPE DESIGN

1,195,493 8/1916 Nedrow 222/470 X
1,992,734 2/1935 Bittore 292/340

[75] Inventor: Walter J. MacFarlane, Kensington, Conn.

[73] Assignee: The Stanley Works, New Britain, Conn.

[**] Term: 14 Years

[21] Appl. No.: 418,446

[22] Filed: Oct. 10, 1989

OTHER PUBLICATIONS

Lawrence Bros. Catalogue 81, p. 3, Safety Hasp #930.
Hardware Age (7/15/68) p. 1 Locking Hasp "A".
Slaymaker Catalog (1985) p. 12, Locking Hasp Bl 138.
Eberhard Catalog (1985) p. 15 #5867.
Home Security (1979), p. 129, Hasp Lock.

Primary Examiner—Wallace R. Burke
Assistant Examiner—Brian N. Vinson

[57] CLAIM

The ornamental design for a hasp-type latch, as shown and described.

DESCRIPTION

FIG. 1 is a perspective view of a hasp-type latch showing my new design;
FIG. 2 is a front elevational view thereof;
FIG. 3 is a bottom plan view thereof, the top being a mirror image;
FIG. 4 is a rear elevational view thereof;
FIG. 5 is a left side elevational view thereof; and
FIG. 6 is a right side elevational view thereof.

Related U.S. Application Data

[62] Division of Ser. No. 288,801, Dec. 22, 1988, Pat. No. D. 309,248.

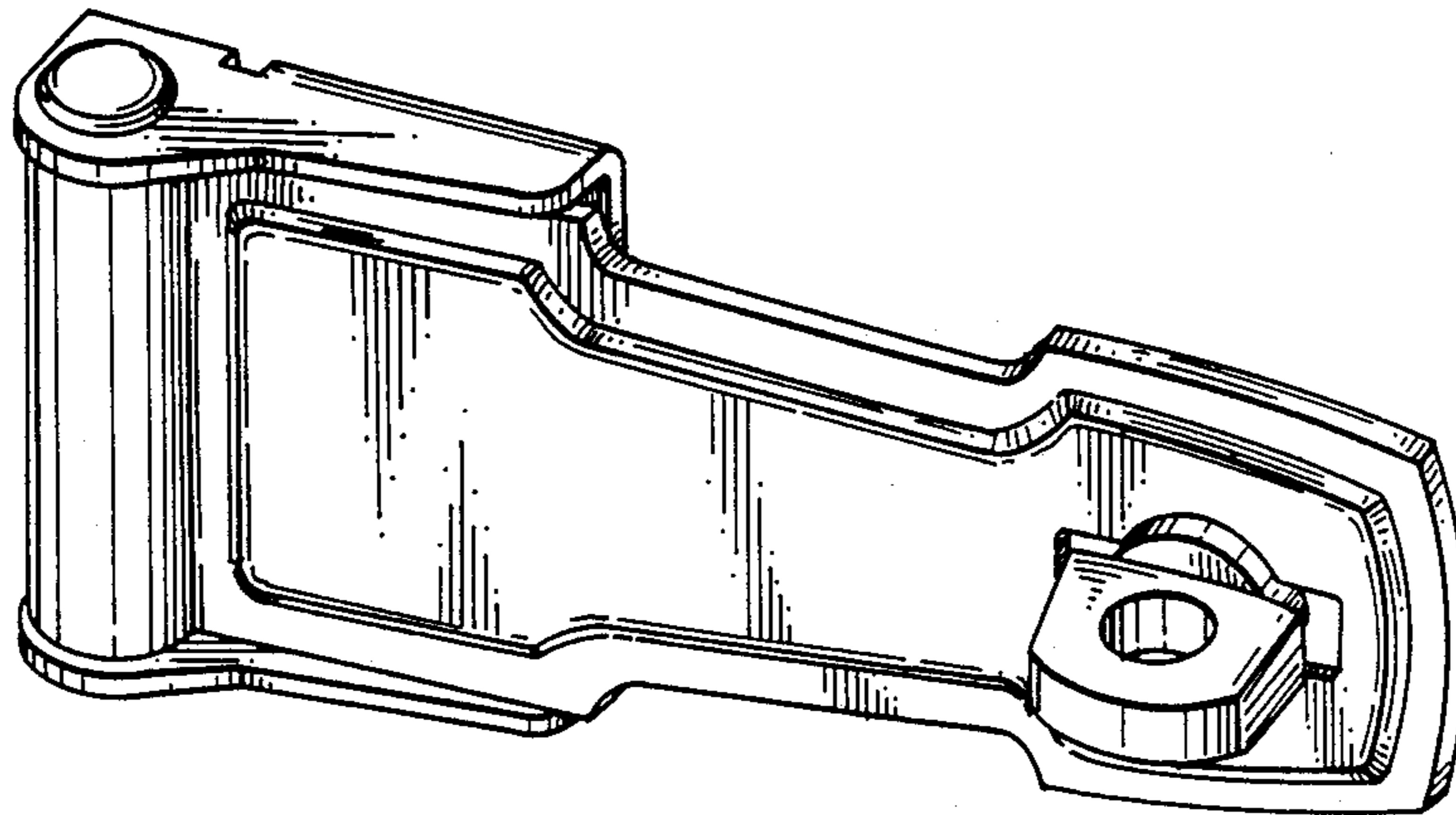
[52] U.S. CL D8/338

[58] Field of Search D8/330-331,
D8/336, 338, 345; 292/281, 285, 340, 341.14;
70/2, 5, 7, 13, 133, 136, 138-139; 222/470

[56] References Cited

U.S. PATENT DOCUMENTS

511,933 1/1894 Cottier 292/285
906,528 12/1908 Hulbert 292/285



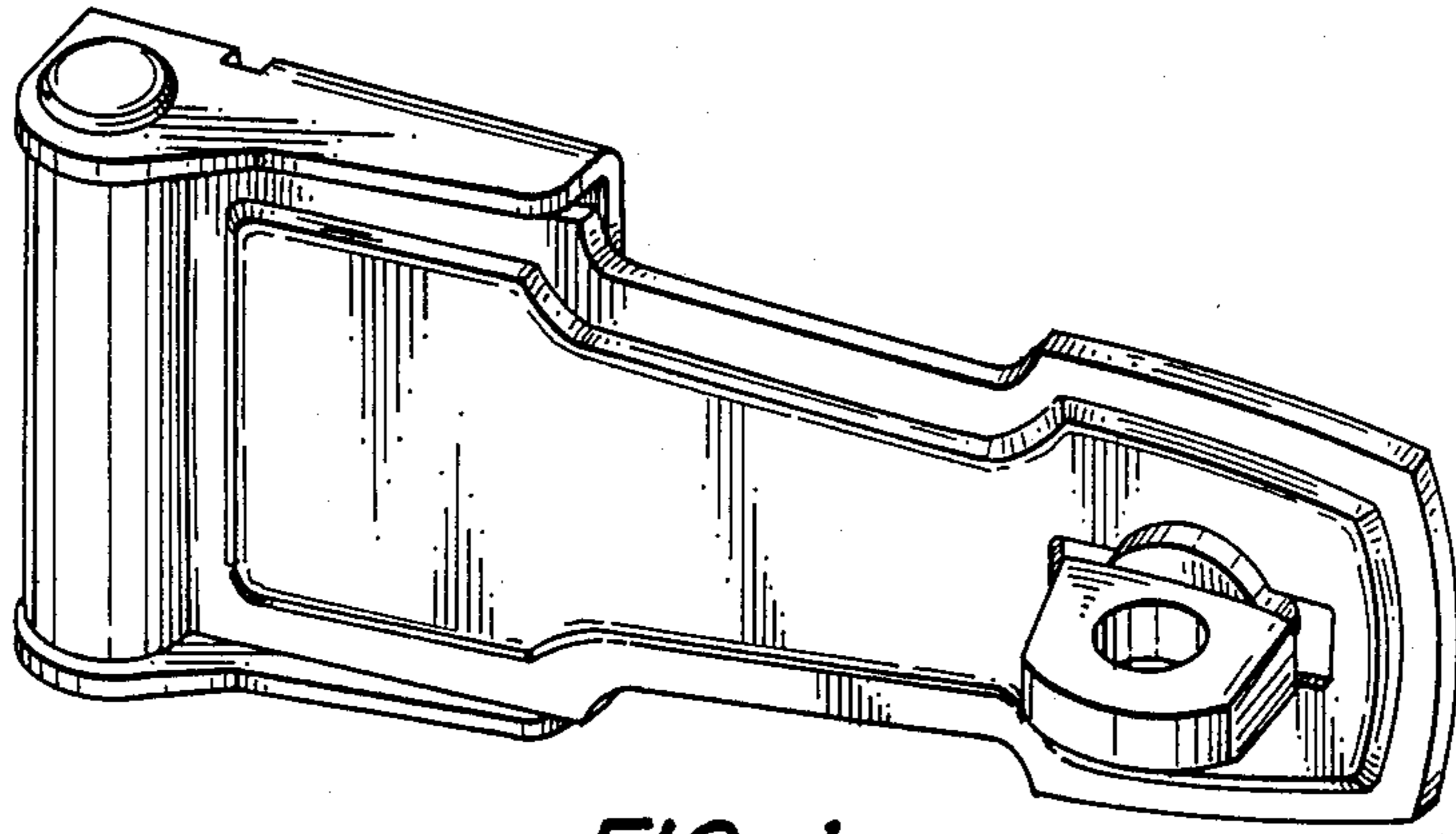


FIG. 1

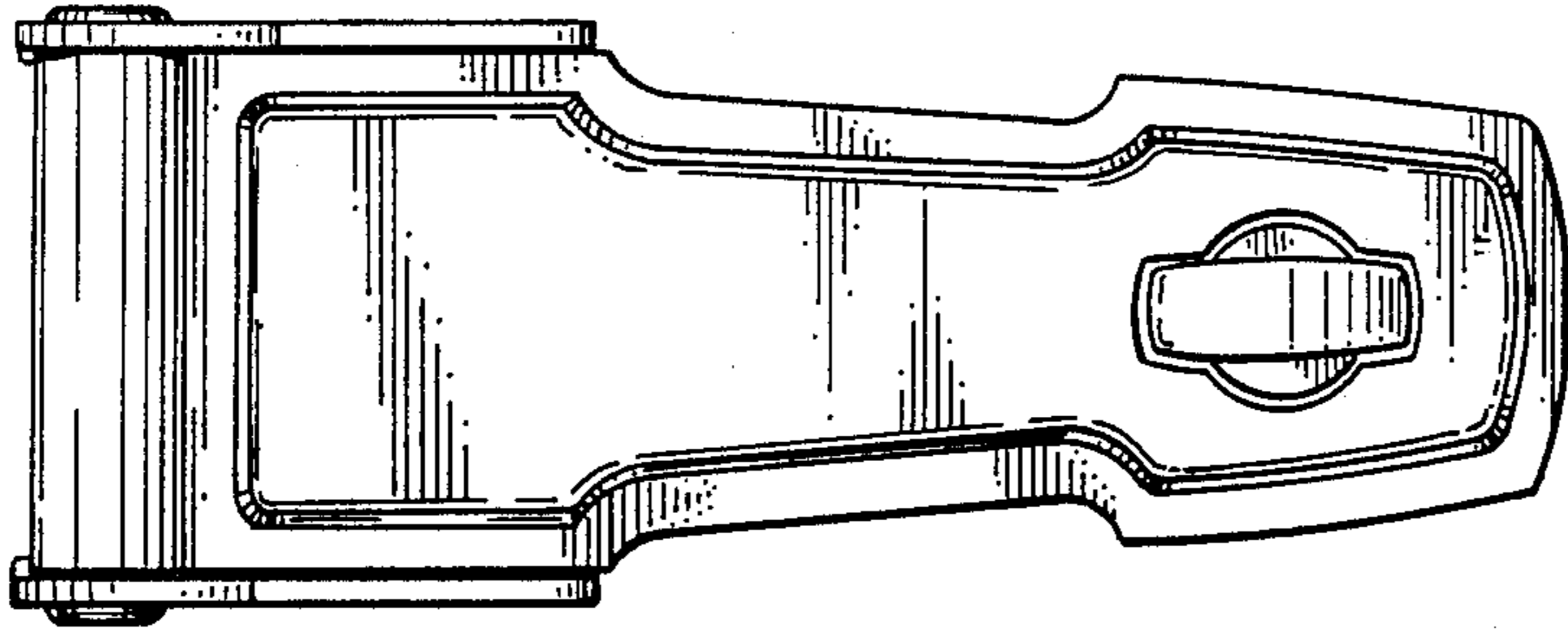


FIG. 2

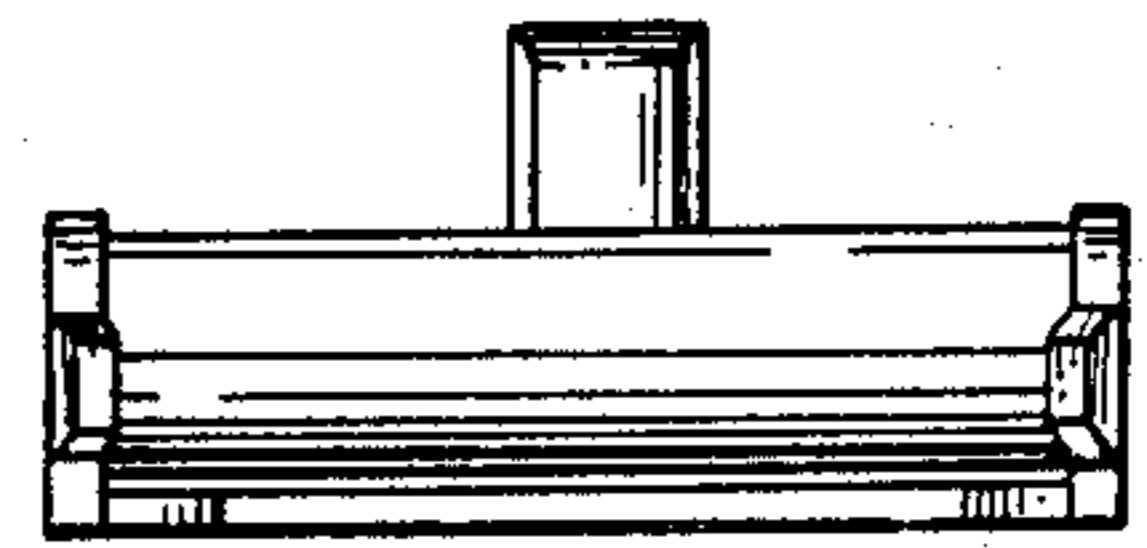


FIG. 5

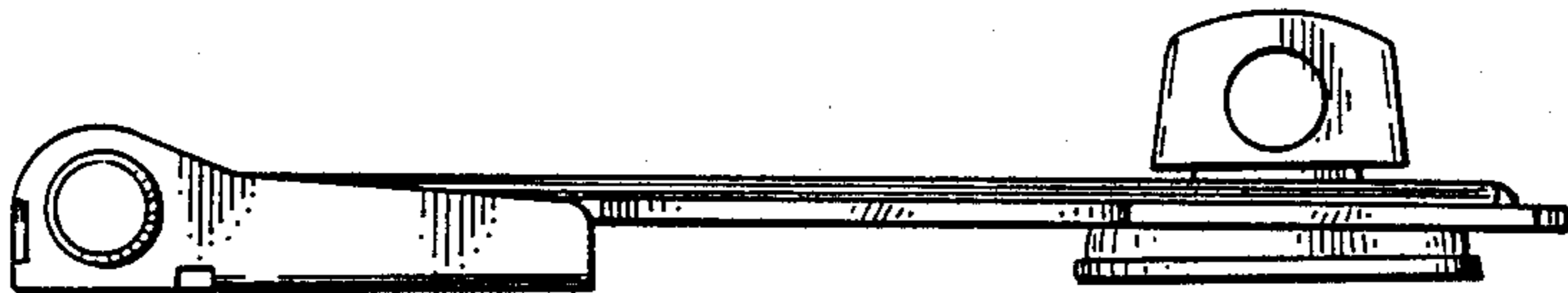


FIG. 3

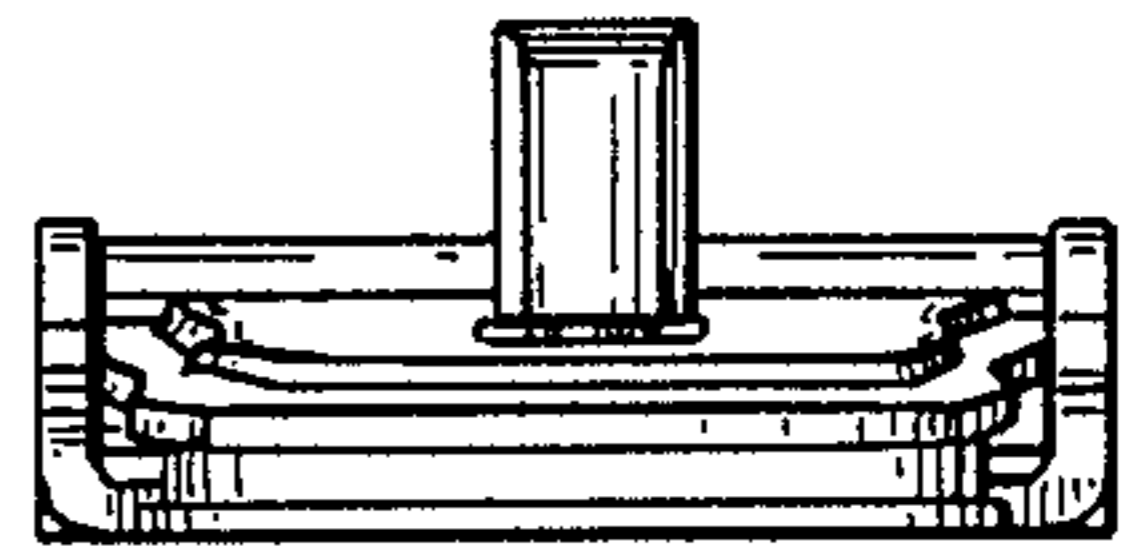


FIG. 6

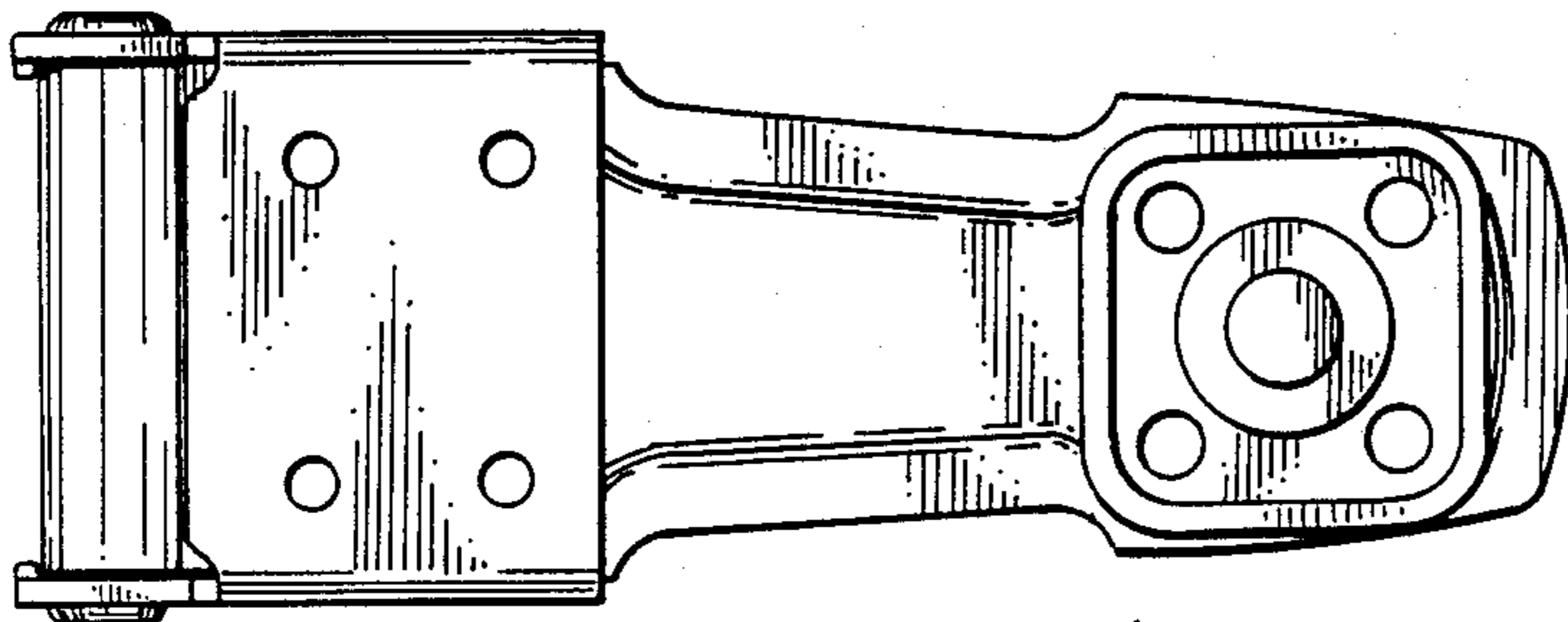


FIG. 4