

# United States Patent [19]

Fushiya et al.

[11] Patent Number: **Des. 313,538**

[45] Date of Patent: **\*\* Jan. 8, 1991**

[54] **HEDGE TRIMMER**

[75] Inventors: **Fusao Fushiya; Hideki Ohkubo**, both of Anjo, Japan

[73] Assignee: **Makita Electric Works, Ltd.**, Anjo, Japan

[\*\*] Term: **14 Years**

[21] Appl. No.: **355,676**

[22] Filed: **May 23, 1989**

[30] **Foreign Application Priority Data**

Nov. 24, 1988 [JP] Japan ..... 63-45760

[52] U.S. Cl. .... **D8/8**

[58] Field of Search ..... **D8/7-9;**  
56/233-237; 30/194, 208-210, 228, 223-224

[56] **References Cited**

**U.S. PATENT DOCUMENTS**

D. 204,943 5/1966 Hart ..... D8/8

D. 285,894 9/1986 Kawakami et al. .... D8/8

D. 301,961 7/1989 Narisuc et al. .... D8/8

D. 307,098 4/1990 Clivio ..... D8/8

2,664,626 1/1954 Jepson ..... D8/8

3,293,746 3/1966 Maxson ..... 30/223

*Primary Examiner*—James M. Gandy

*Assistant Examiner*—Brian N. Vinson

*Attorney, Agent, or Firm*—Dennison, Meserole, Pollack & Scheiner

[57] **CLAIM**

The ornamental design for a hedge trimmer, as shown.

**DESCRIPTION**

FIG. 1 is a perspective view of a hedge trimmer showing our new design;

FIG. 2 is a front elevational view thereof;

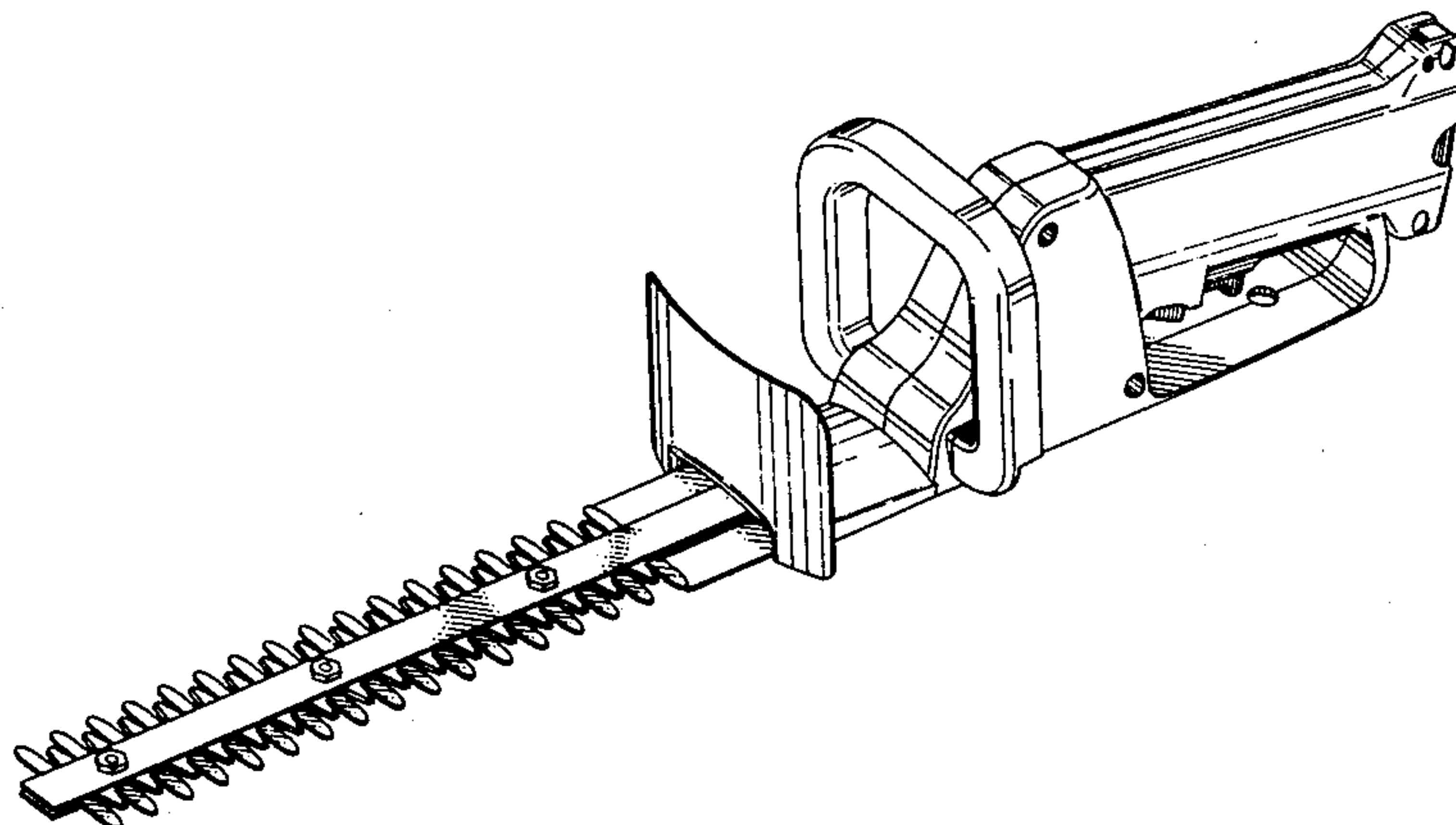
FIG. 3 is a rear elevational view thereof;

FIG. 4 is a side elevational view thereof taken from the left side of FIG. 2;

FIG. 5 is a side elevational view thereof taken from the right side of FIG. 2;

FIG. 6 is a top plan view thereof; and

FIG. 7 is a bottom plan view thereof.



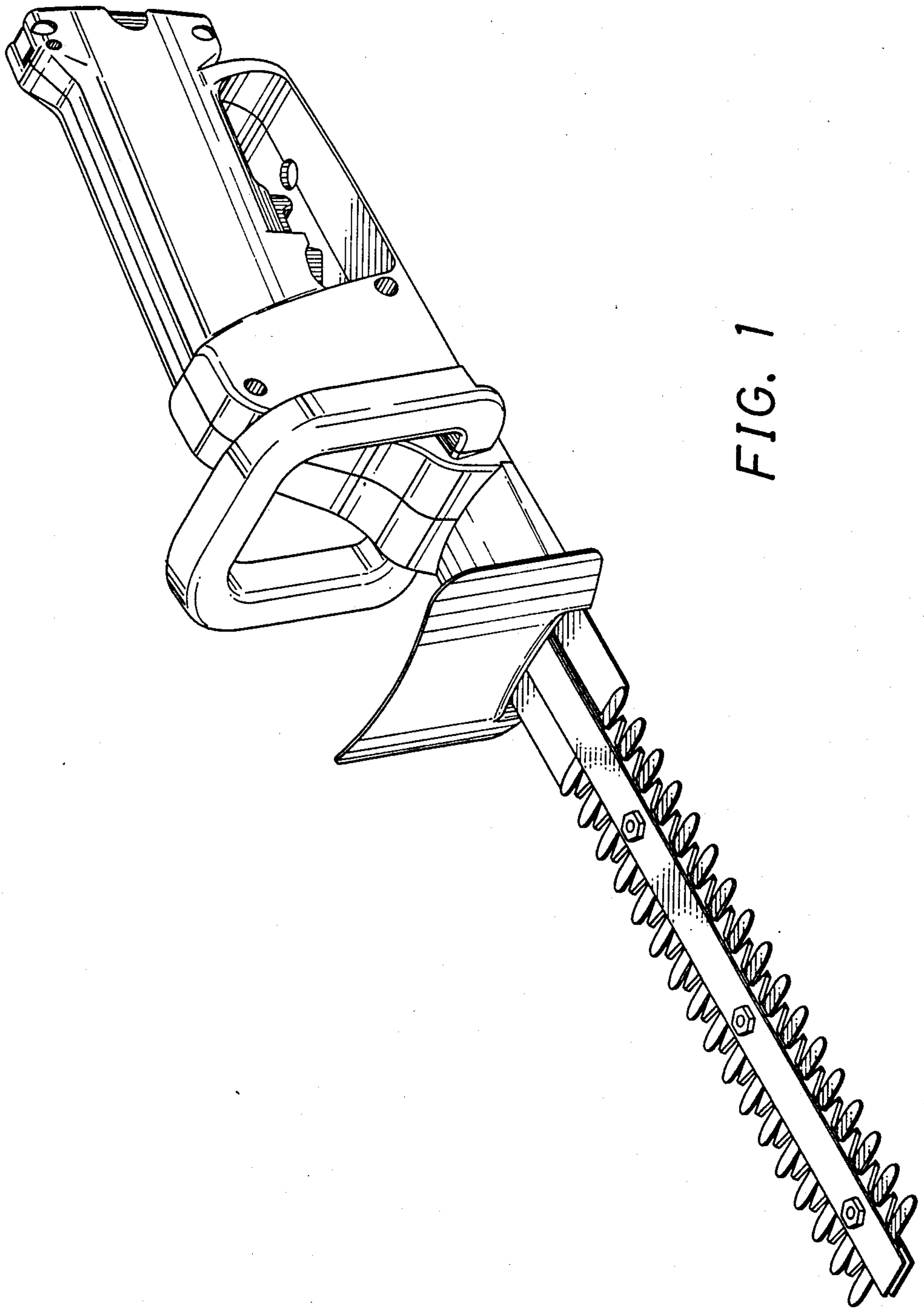


FIG. 1

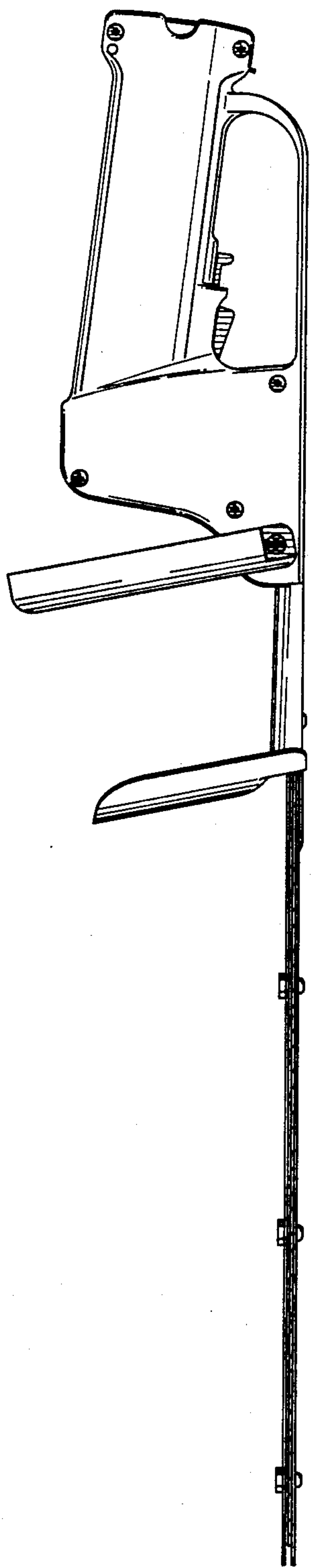


FIG. 2

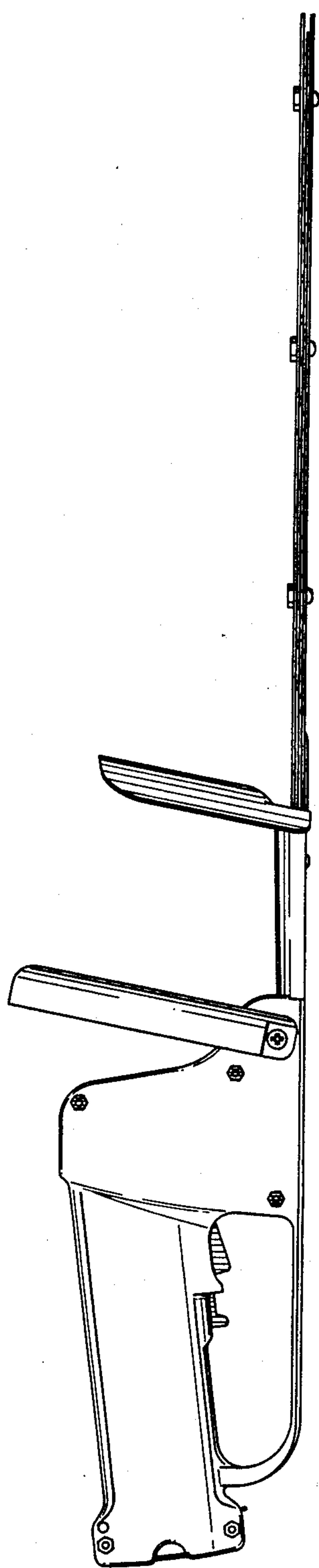


FIG. 3

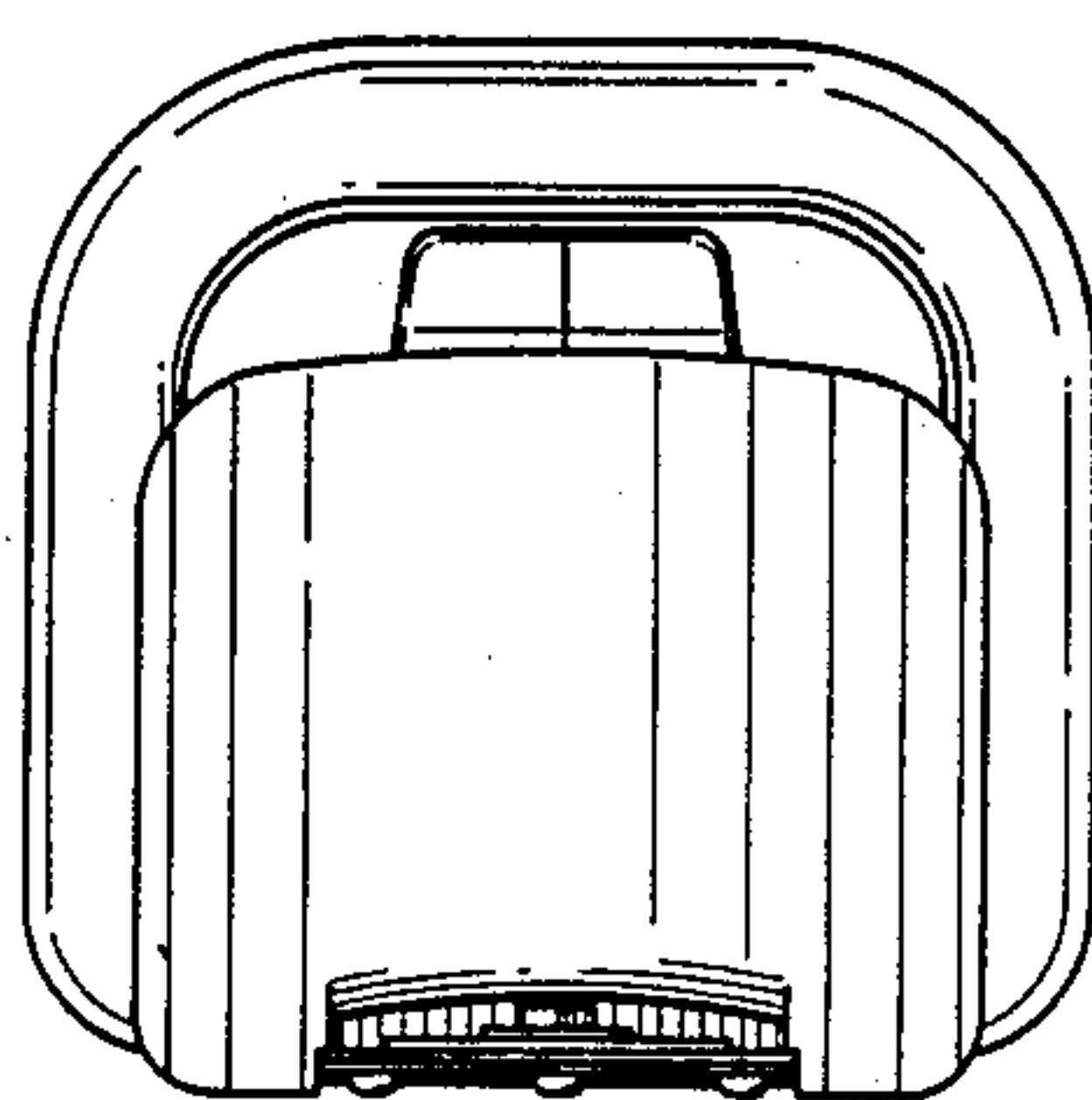


FIG. 4

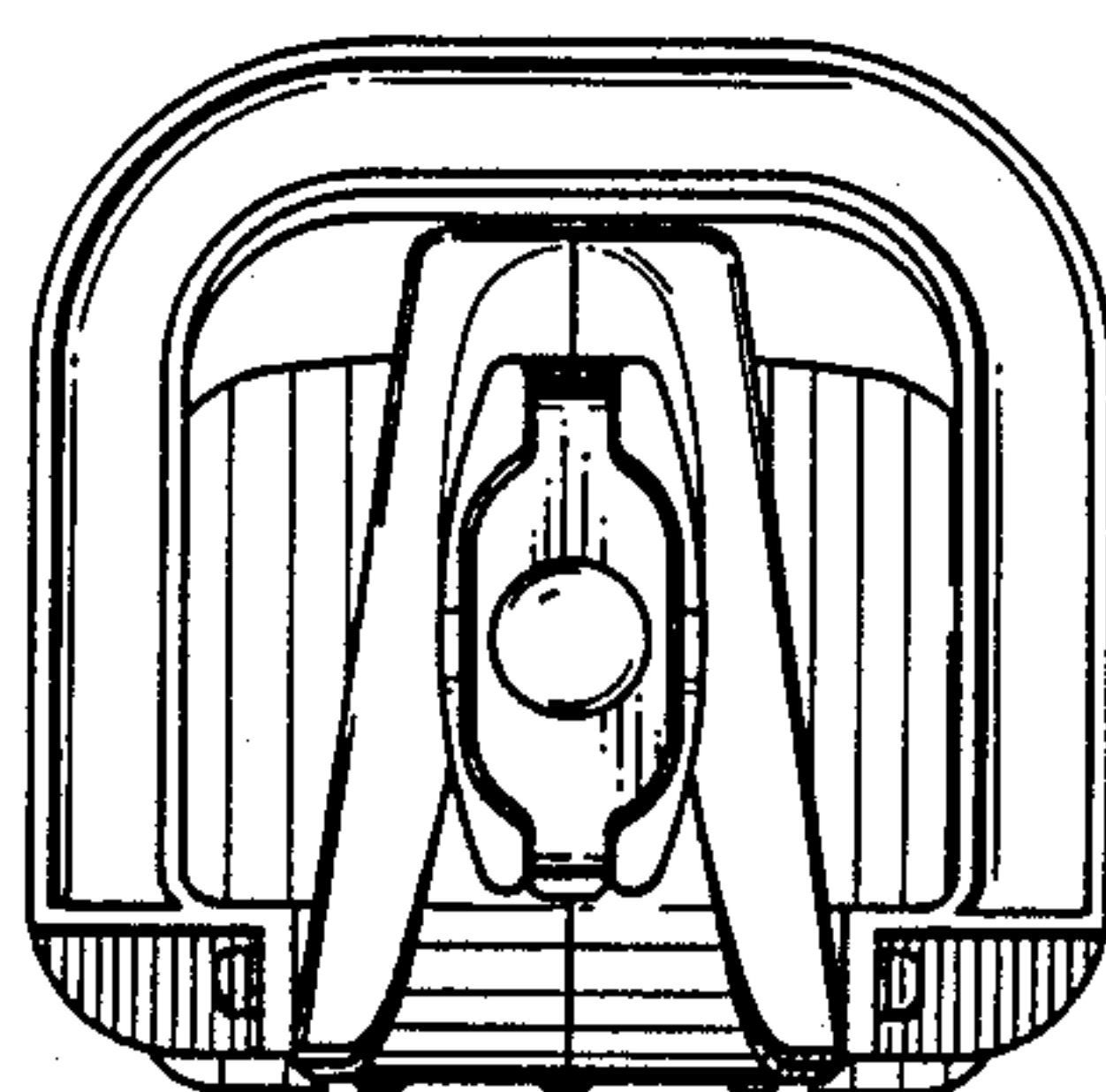


FIG. 5

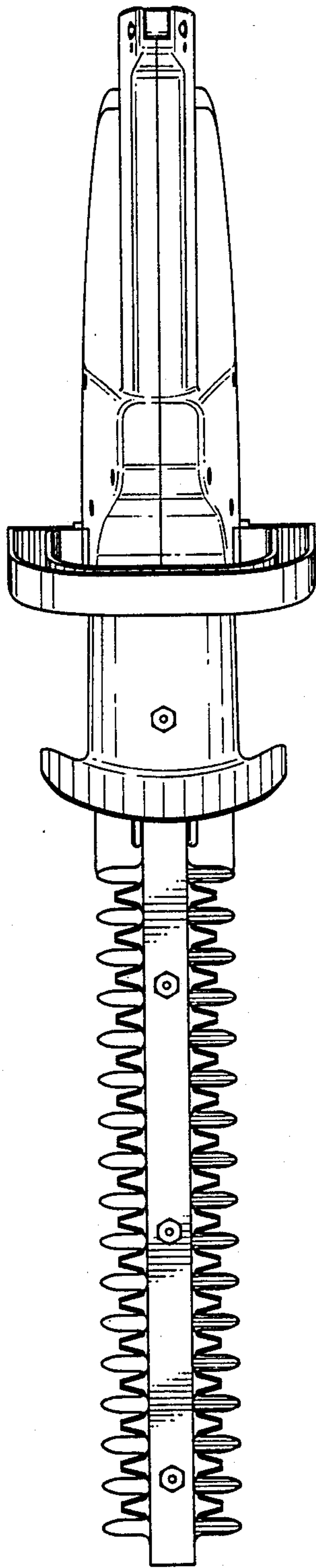


FIG. 6

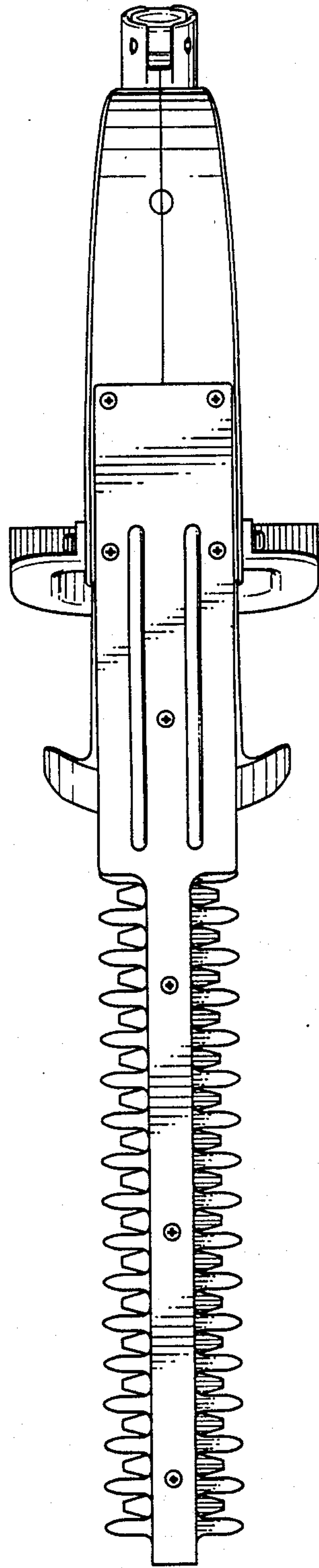


FIG. 7