

[54] **TONGS**

[75] **Inventor: Ian M. Chisholm, Hawthorn East, Australia**

[73] **Assignee: McPherson's Limited, Australia**

[**] **Term: 14 Years**

[21] **Appl. No.: 280,657**

[22] **Filed: Dec. 6, 1988**

[52] **U.S. Cl. D7/686**

[58] **Field of Search D7/683-687; 294/3, 8.5, 11, 16, 99.1-99.2, 118-119; D24/27**

[56] **References Cited**

U.S. PATENT DOCUMENTS

D. 298,600 11/1988 Dallaire D7/686

Primary Examiner—Bernard Ansher
Assistant Examiner—Terry A. Pfeffer
Attorney, Agent, or Firm—Lerner, David, Littenberg, Krumholz & Mentlik

[57] **CLAIM**

The ornamental design for tongs, as shown and described.

DESCRIPTION

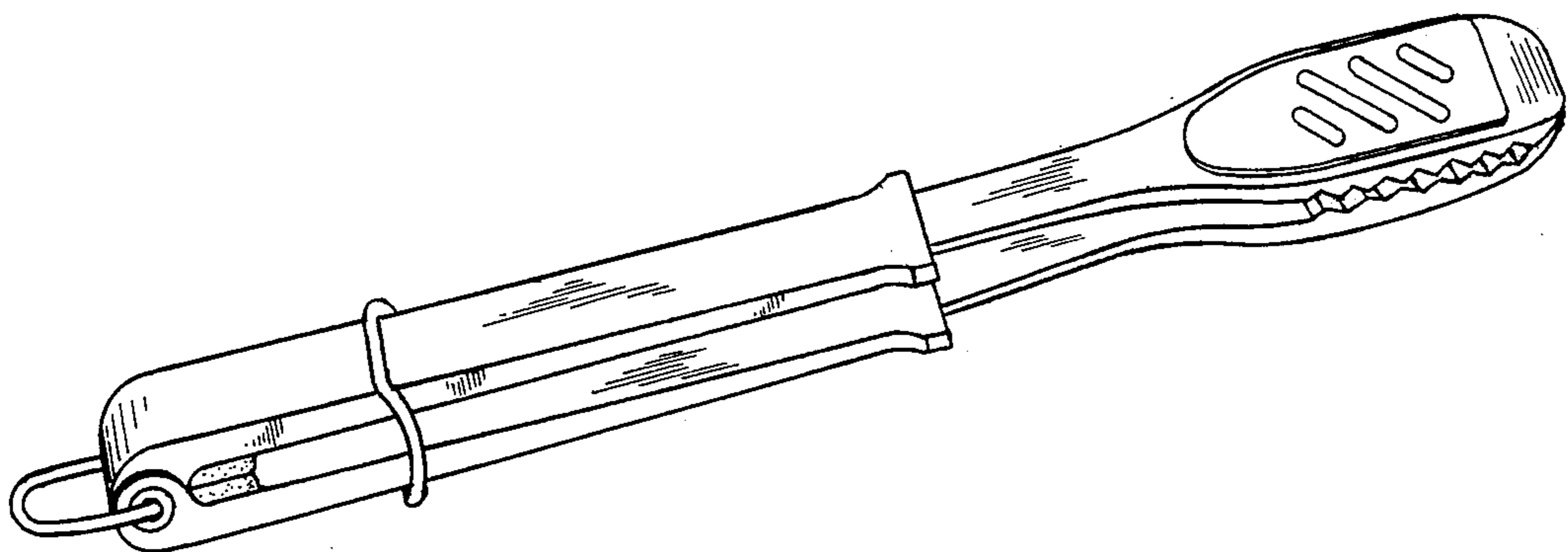
FIG. 1 is a left side elevational view of tongs showing my new design, the right side elevational view being substantially identical thereto;

FIG. 2 is a bottom plan view thereof, the top plan being substantially identical thereto;

FIG. 3 is a front elevational view thereof;

FIG. 4 is a rear elevational view thereof; and

FIG. 5 is a top perspective view thereof.



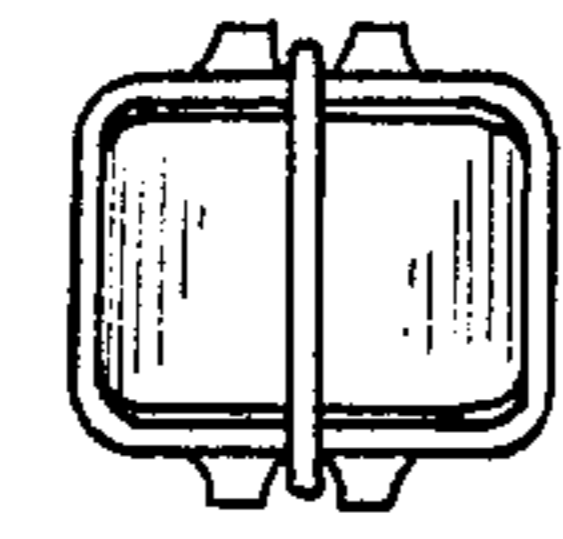


FIG. 3

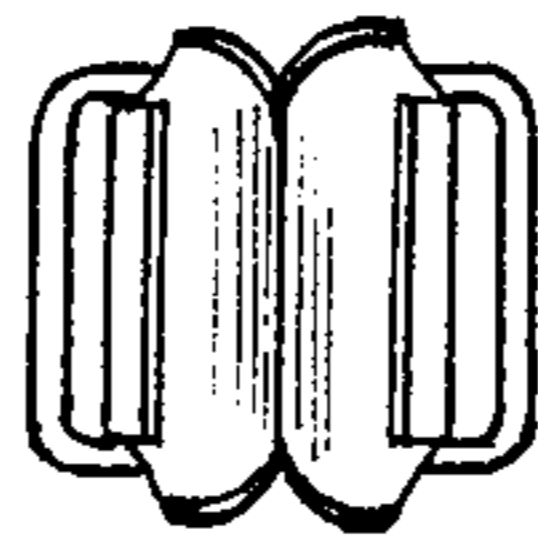


FIG. 4

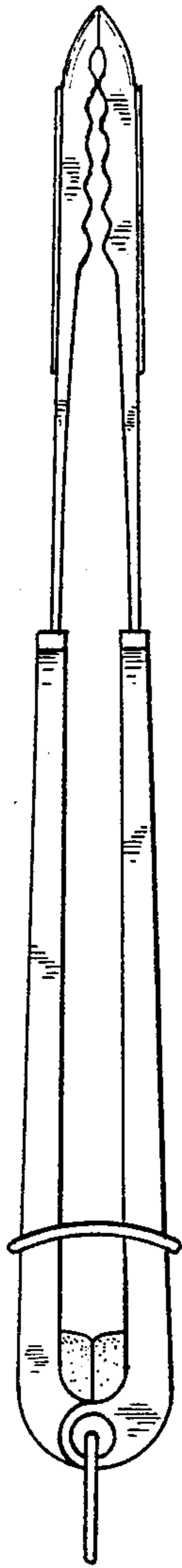


FIG. 1

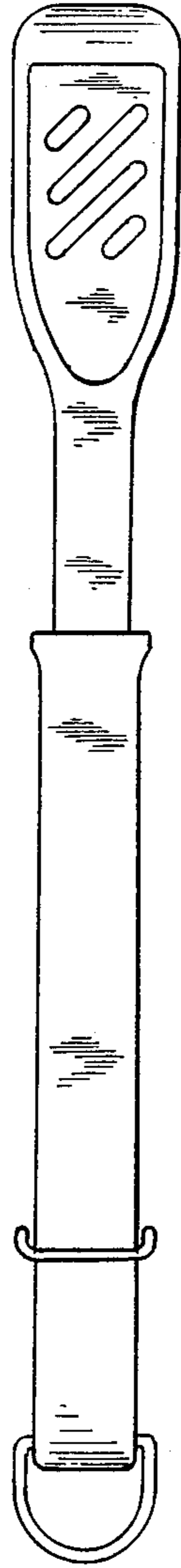


FIG. 2

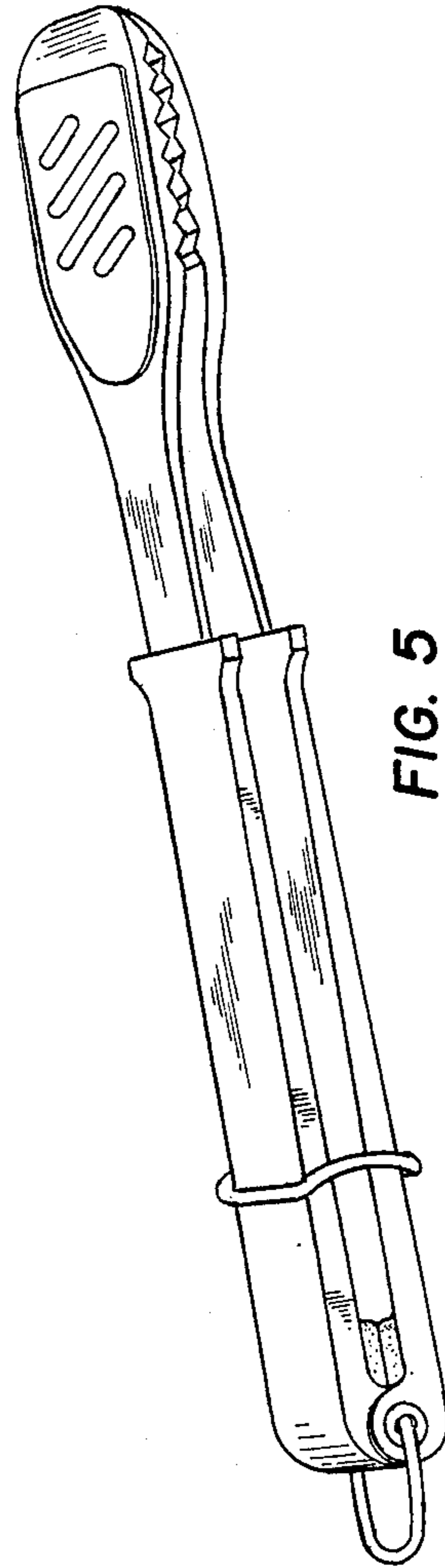


FIG. 5

UNITED STATES PATENT AND TRADEMARK OFFICE
CERTIFICATE OF CORRECTION

PATENT NO. : Des. 313,537
DATED : January 8, 1991
INVENTOR(S) : Chisolm

It is certified that error appears in the above-identified patent and that said Letters Patent is hereby corrected as shown below:

On the title page, insert the following:

--[30] Foreign Priority Data

Sept. 26, 1988 [NZ] New Zealand.....22180--.

**Signed and Sealed this
Twenty-eighth Day of July, 1992**

Attest:

Attesting Officer

DOUGLAS B. COMER

Acting Commissioner of Patents and Trademarks