

United States Patent [19]

Rixen

[11] Patent Number: **Des. 313,533**

[45] Date of Patent: **** Jan. 8, 1991**

[54] **WHISK**

[75] Inventor: **Edgar Rixen, Solingen, Fed. Rep. of Germany**

[73] Assignee: **Robert Krups Stiftung & Co. KG., Solingen, Fed. Rep. of Germany**

[**] Term: **14 Years**

[21] Appl. No.: **275,220**

[22] Filed: **Nov. 22, 1988**

[30] **Foreign Application Priority Data**

May 26, 1988 [DE] Fed. Rep. of Germany ... 5 MR 9858
[52] U.S. Cl. **D7/380; D7/690**
[58] Field of Search **D7/688, 690, 664, 380; 15/92, 141.2, 141.1; 366/129, 130, 342.4; 416/69, 70 R, 76, 227 R**

[56] **References Cited**

U.S. PATENT DOCUMENTS

D. 154,752	8/1949	Martino	D7/380
2,732,187	1/1956	Benedetto	D7/690 X
2,798,702	7/1957	Fjellstedt	416/227 X
4,575,255	3/1986	Kafka	366/343 X

Primary Examiner—Bernard Ansher
Assistant Examiner—Terry A. Pfeffer
Attorney, Agent, or Firm—Peter K. Kontler

[57] **CLAIM**

The ornamental design for a whisk, as shown and described.

DESCRIPTION

FIG. 1 is a top plan view of a whisk showing my new design;
FIG. 2 is a right side elevational view thereof;
FIG. 3 is a bottom plan view thereof;
FIG. 4 is a left side elevational view thereof;
FIG. 5 is an enlarged front elevational view thereof;
FIG. 6 is a rear elevational view thereof; and
FIG. 7 is an enlarged perspective view thereof.

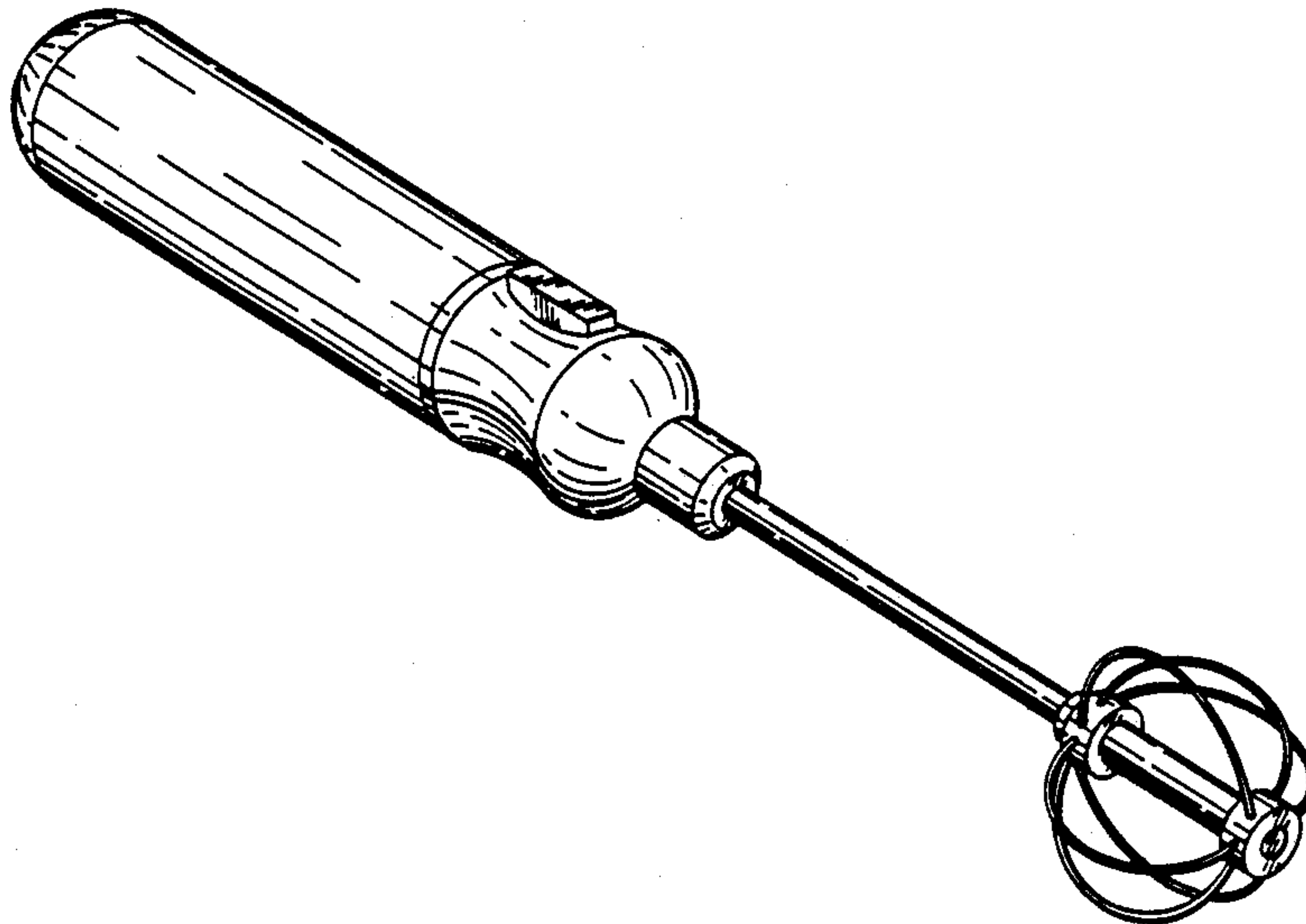


FIG. 1

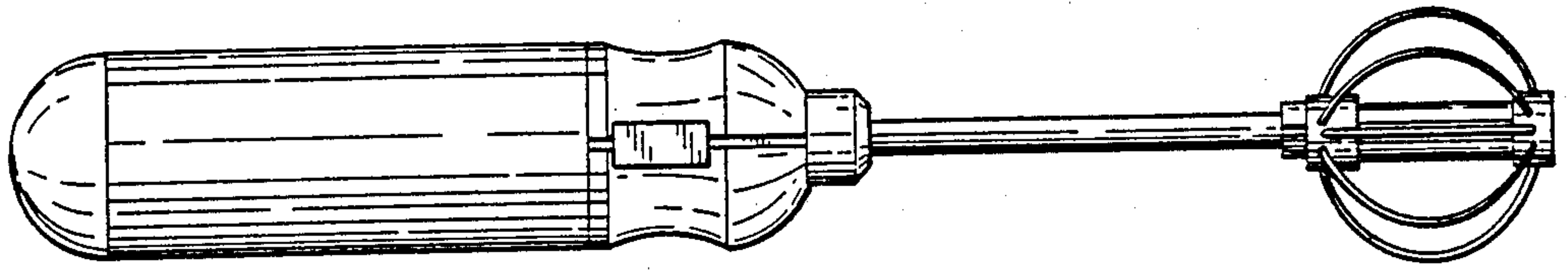


FIG. 2

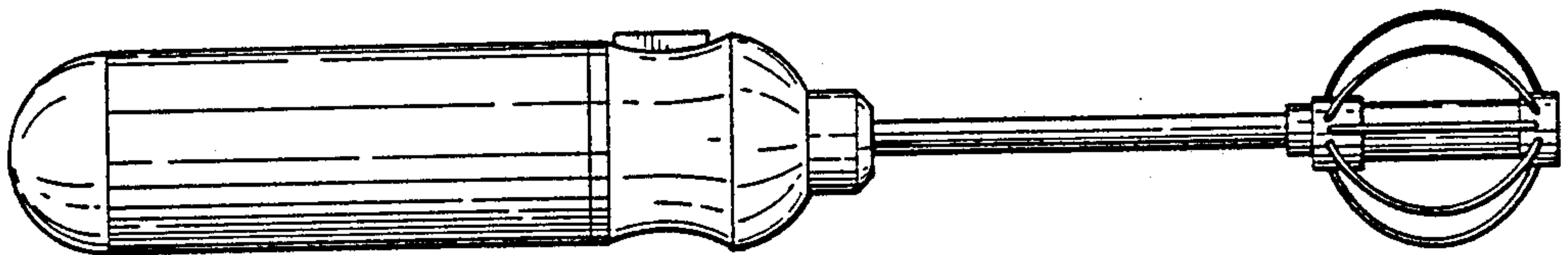


FIG. 3

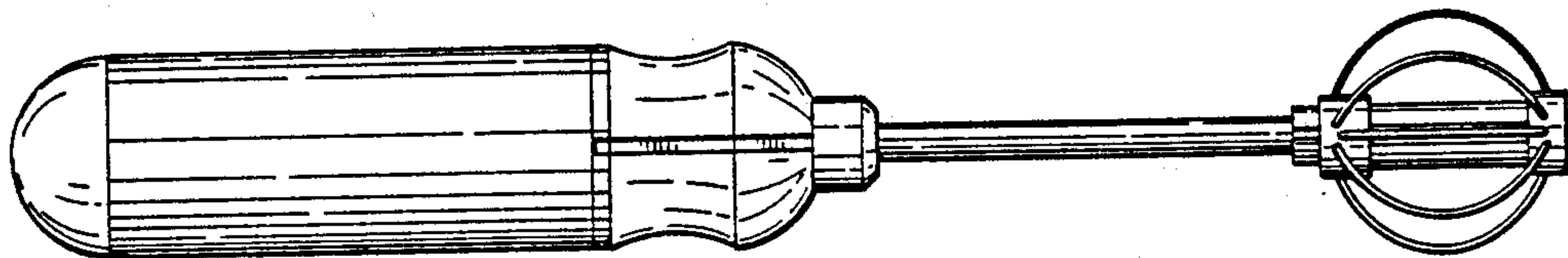
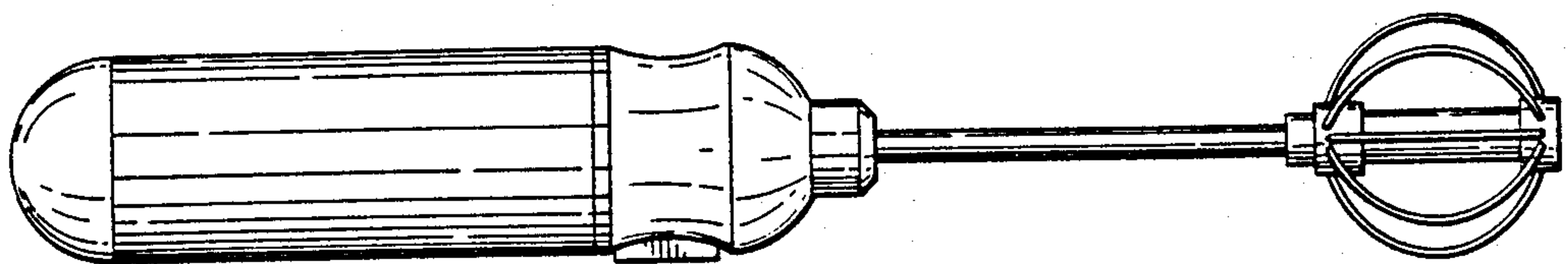


FIG. 4



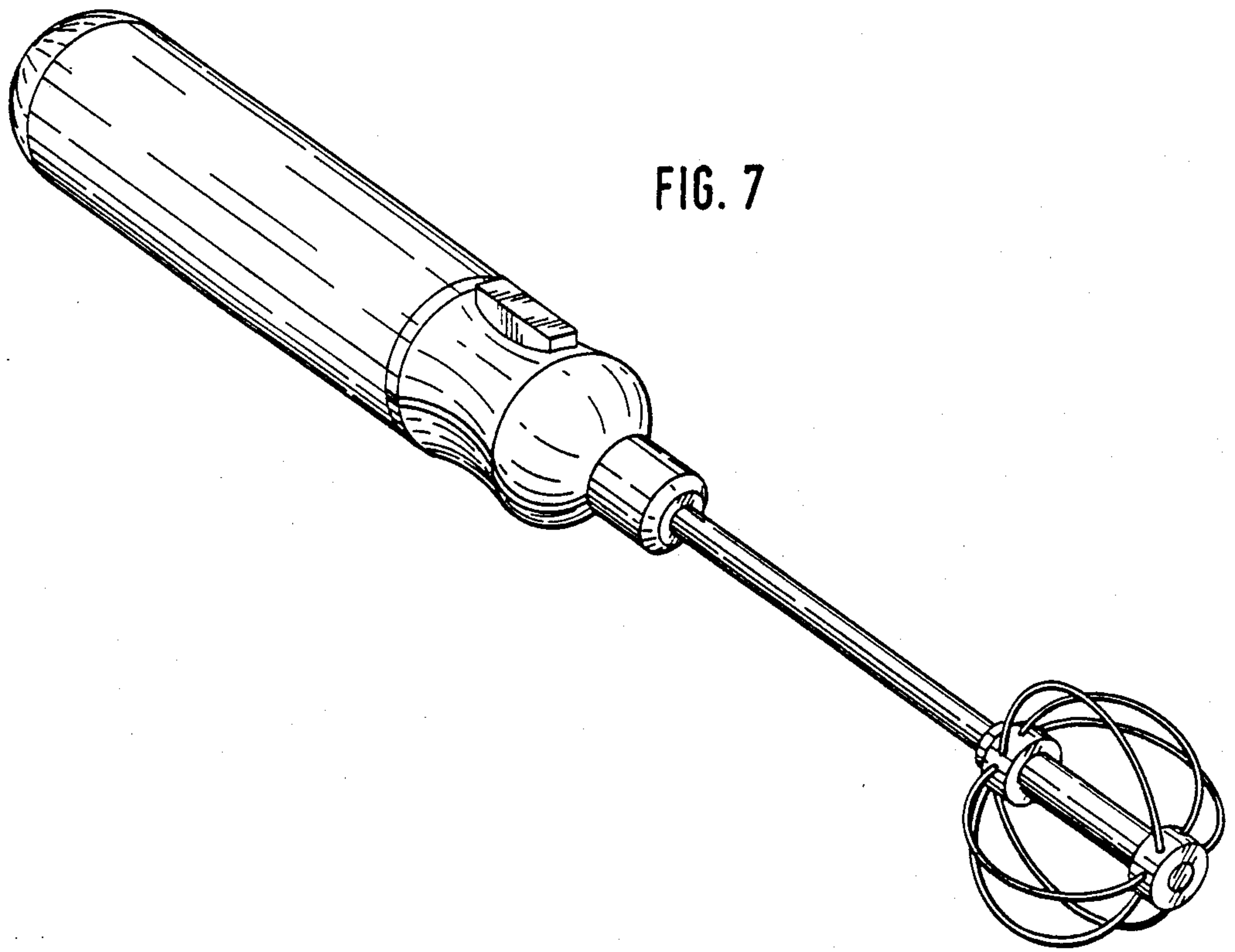


FIG. 7

FIG. 5

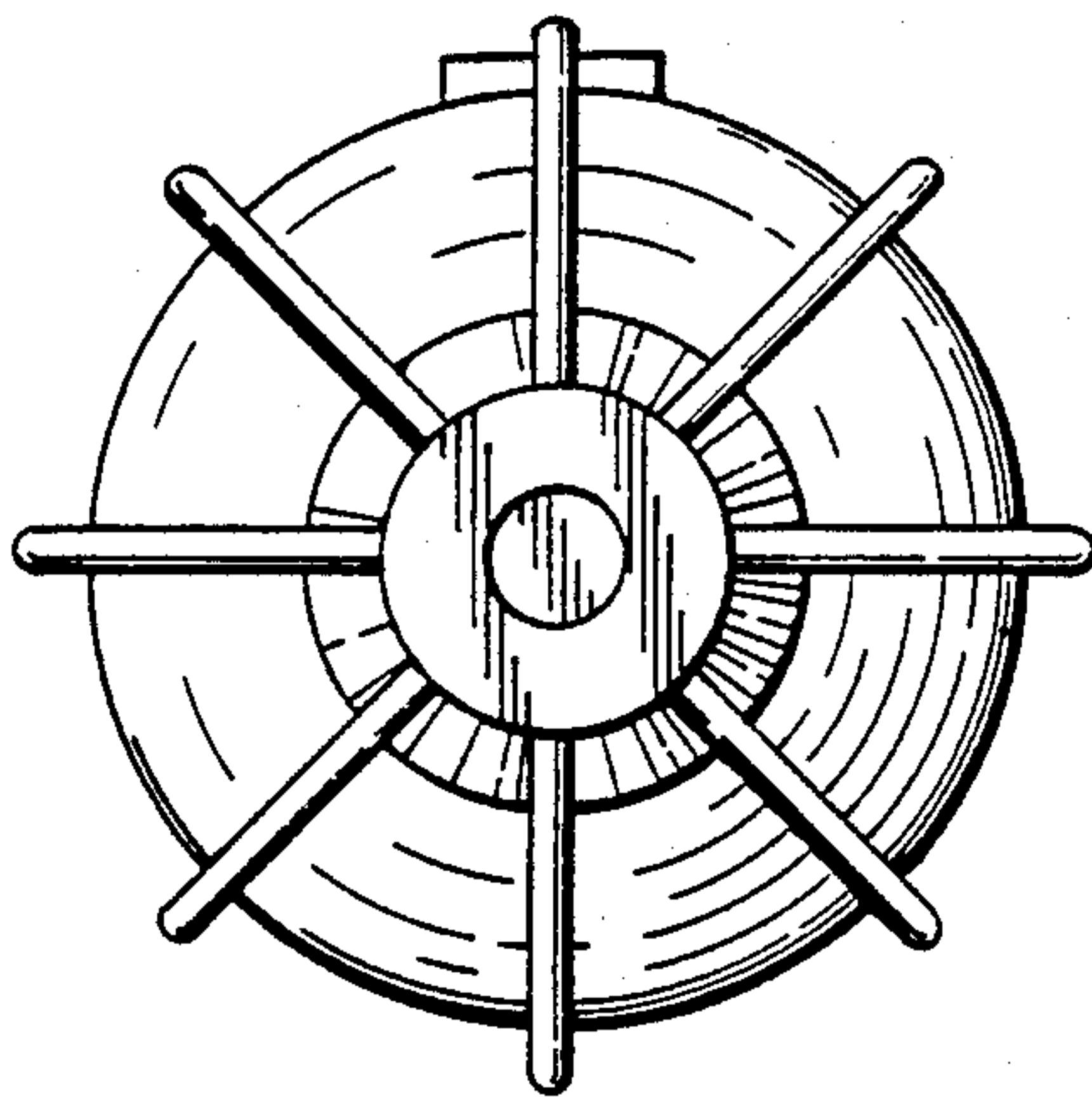


FIG. 6

