

[54] COMBINATION COVERED GRILL AND WARMING PLATES

[76] Inventor: William Smith, 10320 Bilston Ct., No. 1, Creve Coeur, Mo. 63141

[**] Term: 14 Years

[21] Appl. No.: 226,217

[22] Filed: Jul. 29, 1988

[52] U.S. Cl. D7/363

[58] Field of Search D7/362, 363-364, D7/365, 366, 367; 219/443, 445, 446, 448, 457, 458

[56] References Cited

U.S. PATENT DOCUMENTS

- D. 149,518 5/1948 Rendler D7/363
- D. 185,435 6/1959 Hockley D7/363
- D. 190,212 4/1961 Ernest D7/363

Primary Examiner—A. Hugo Word
Assistant Examiner—Ruth McInroy

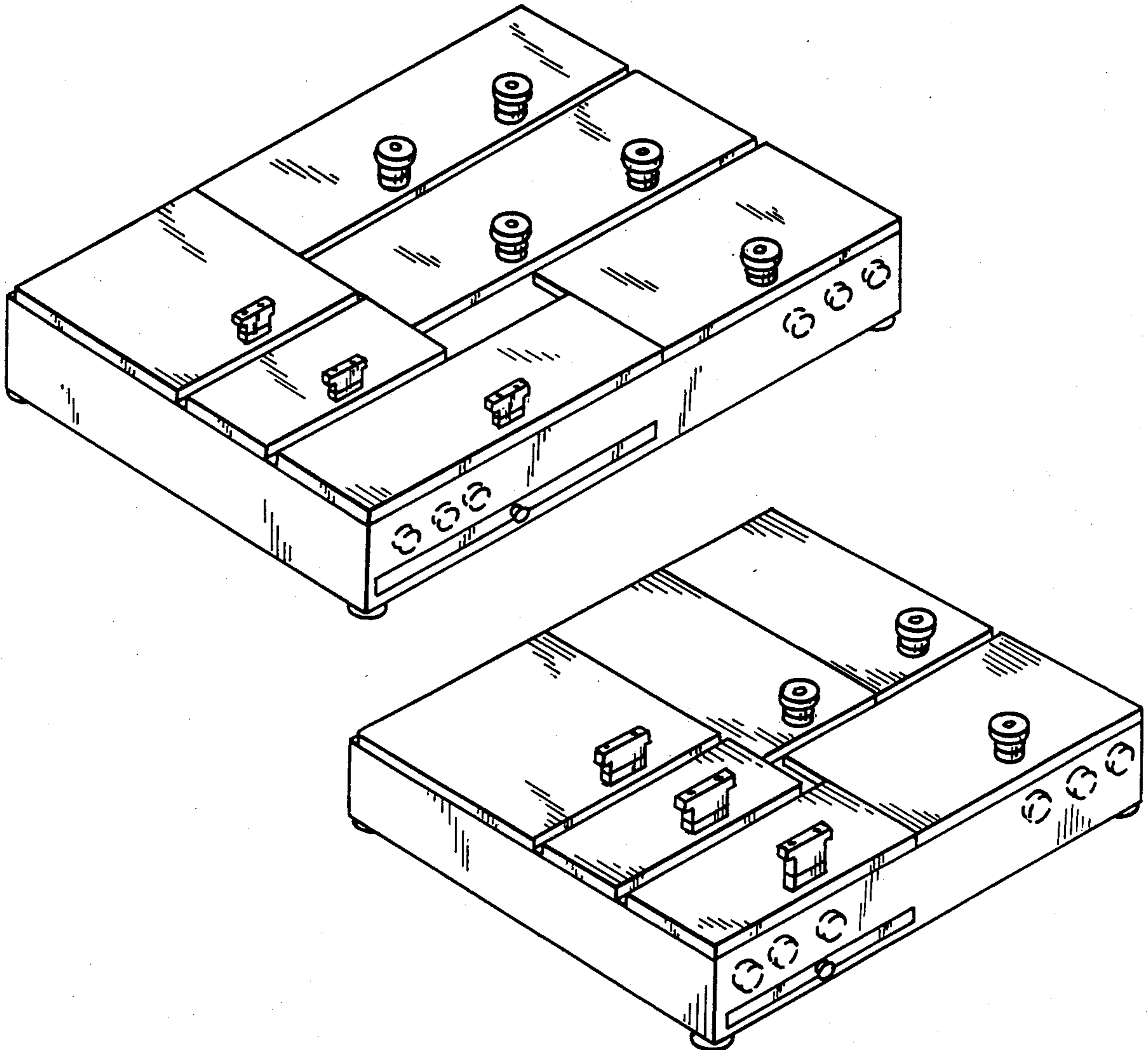
[57] CLAIM

The ornamental design for a combination covered grilled and warming plates, as shown and described.

DESCRIPTION

FIG. 1 is a top, front and side perspective view of a combination covered grill and warming plates showing my new design;
 FIG. 2 is a top, rear and side perspective view thereof;
 FIG. 3 is a front elevational view thereof;
 FIG. 4 is a top plan view thereof with the cover and warming plates in an open position;
 FIG. 5 is a front elevational view thereof in an open position;
 FIG. 6 is a side elevational view thereof in an open position;
 FIG. 7 is a top, front and side perspective view of a second embodiment thereof;
 FIG. 8 is a top, rear and side perspective view thereof;
 FIG. 9 is a front elevational view thereof;
 FIG. 10 is a top plan view thereof with the cover and warming plates in an open position;
 FIG. 11 is a front elevational view thereof in an open position.

The knobs and electrical cord in FIGS. 1-9 and 11 are shown in broken lines for illustrative purposes only and form no part of the claimed design.



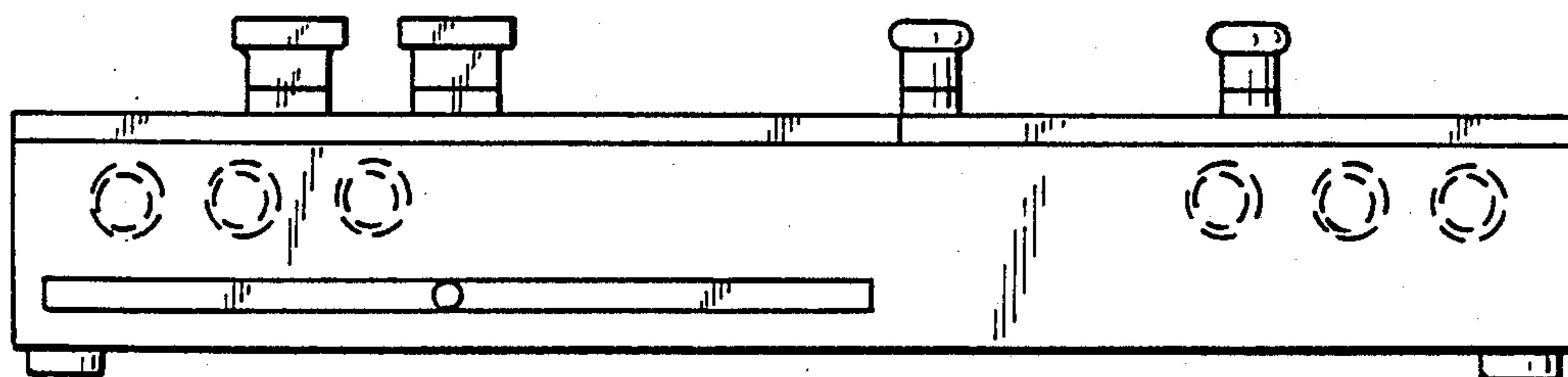
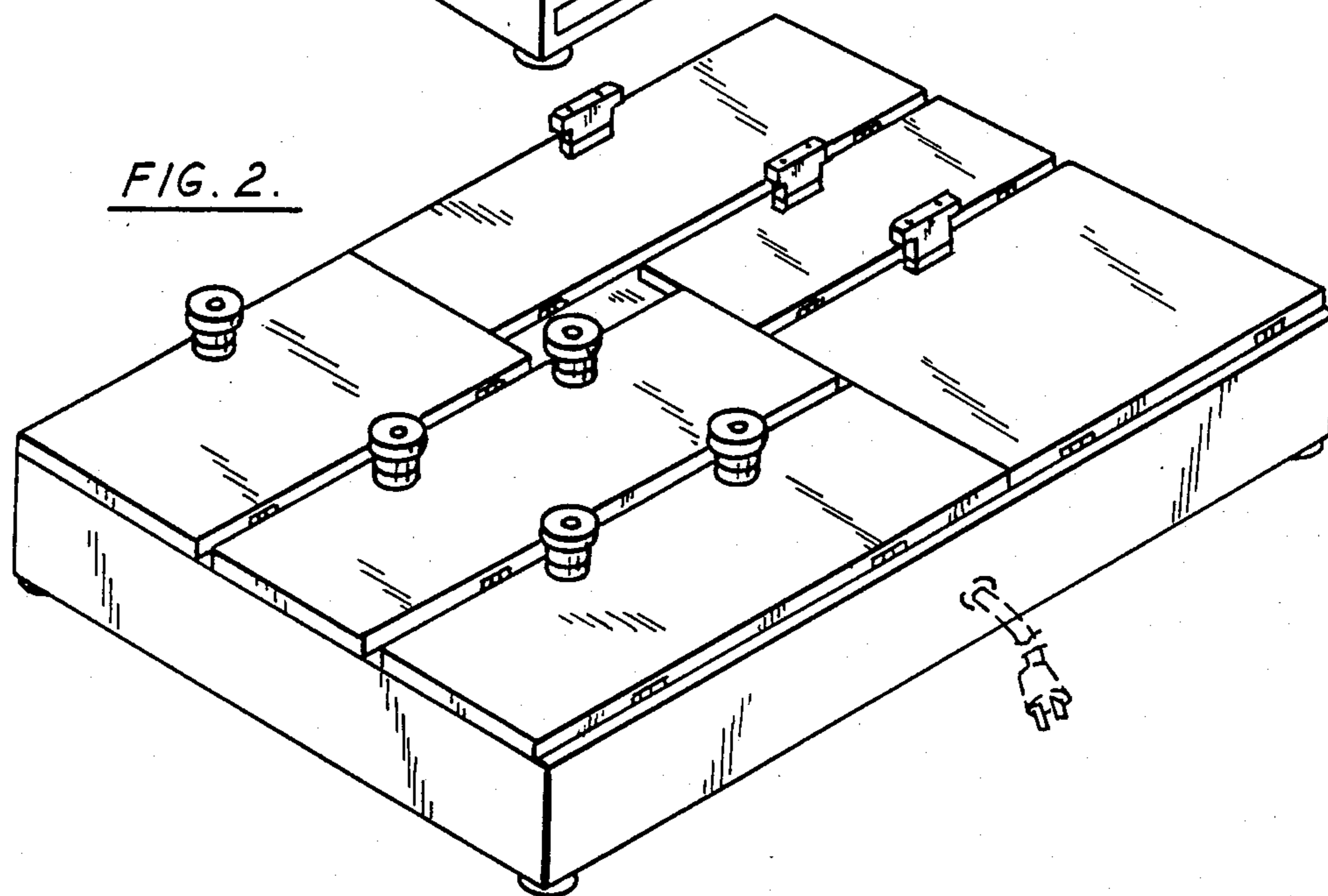
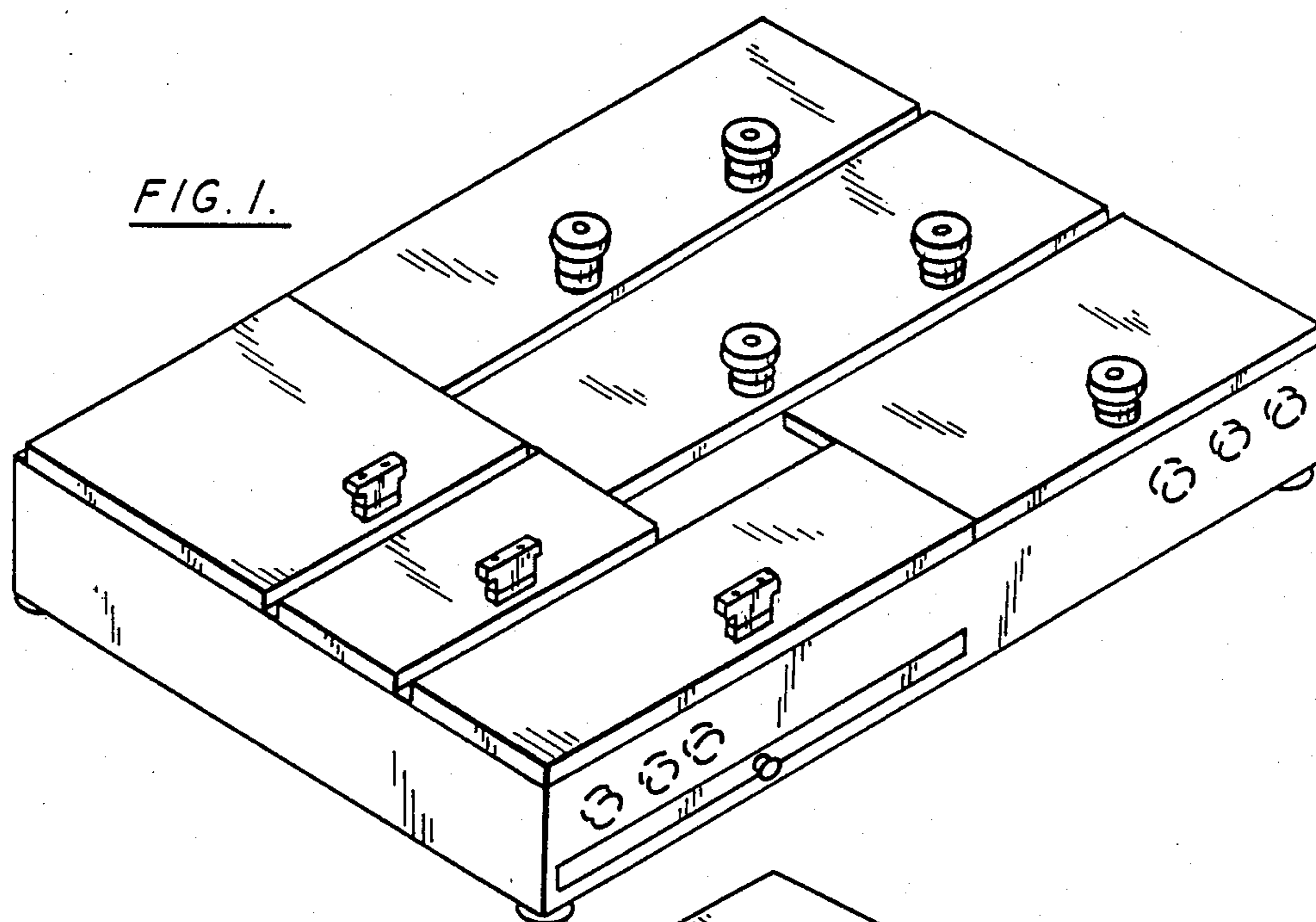
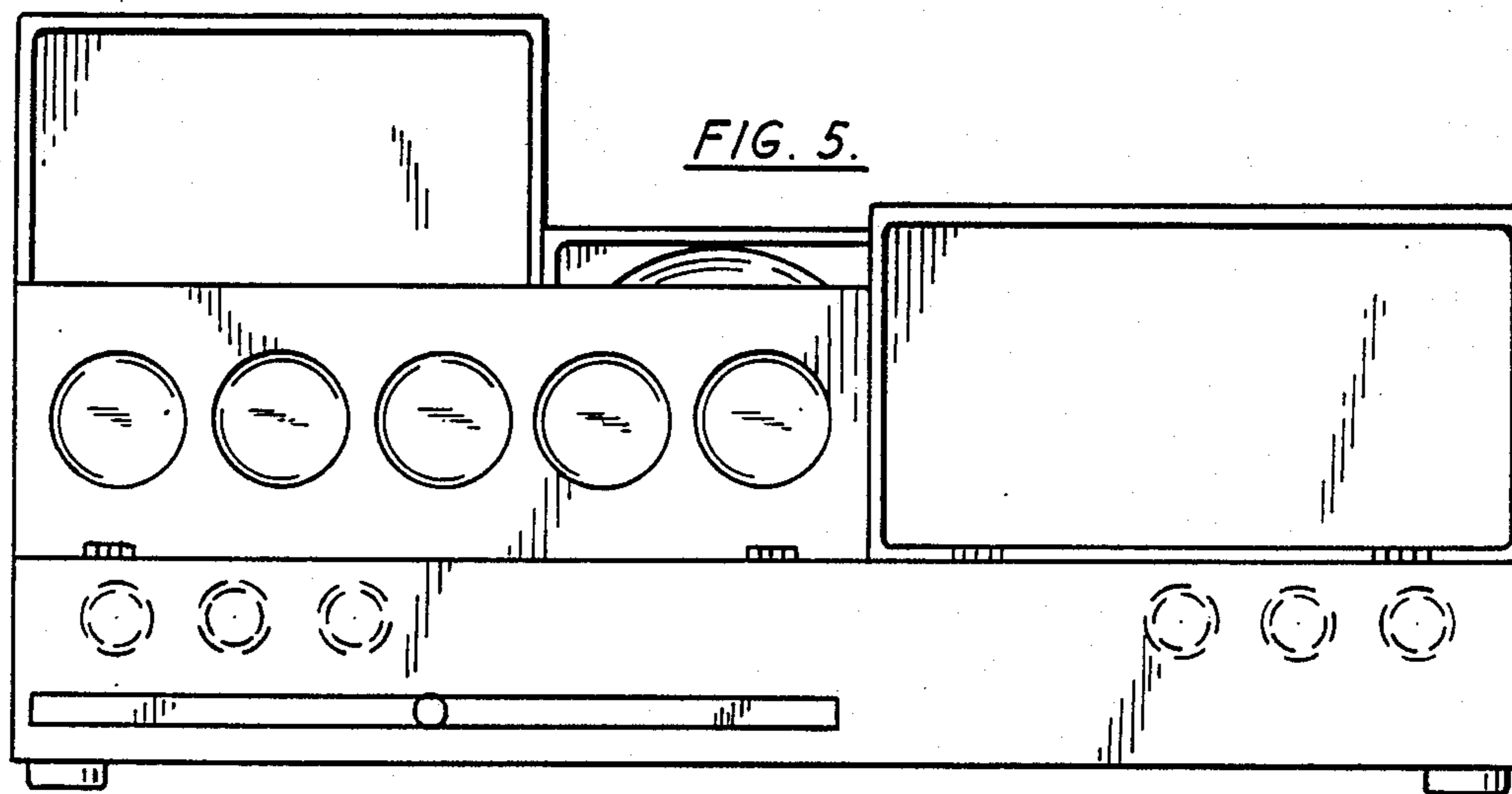
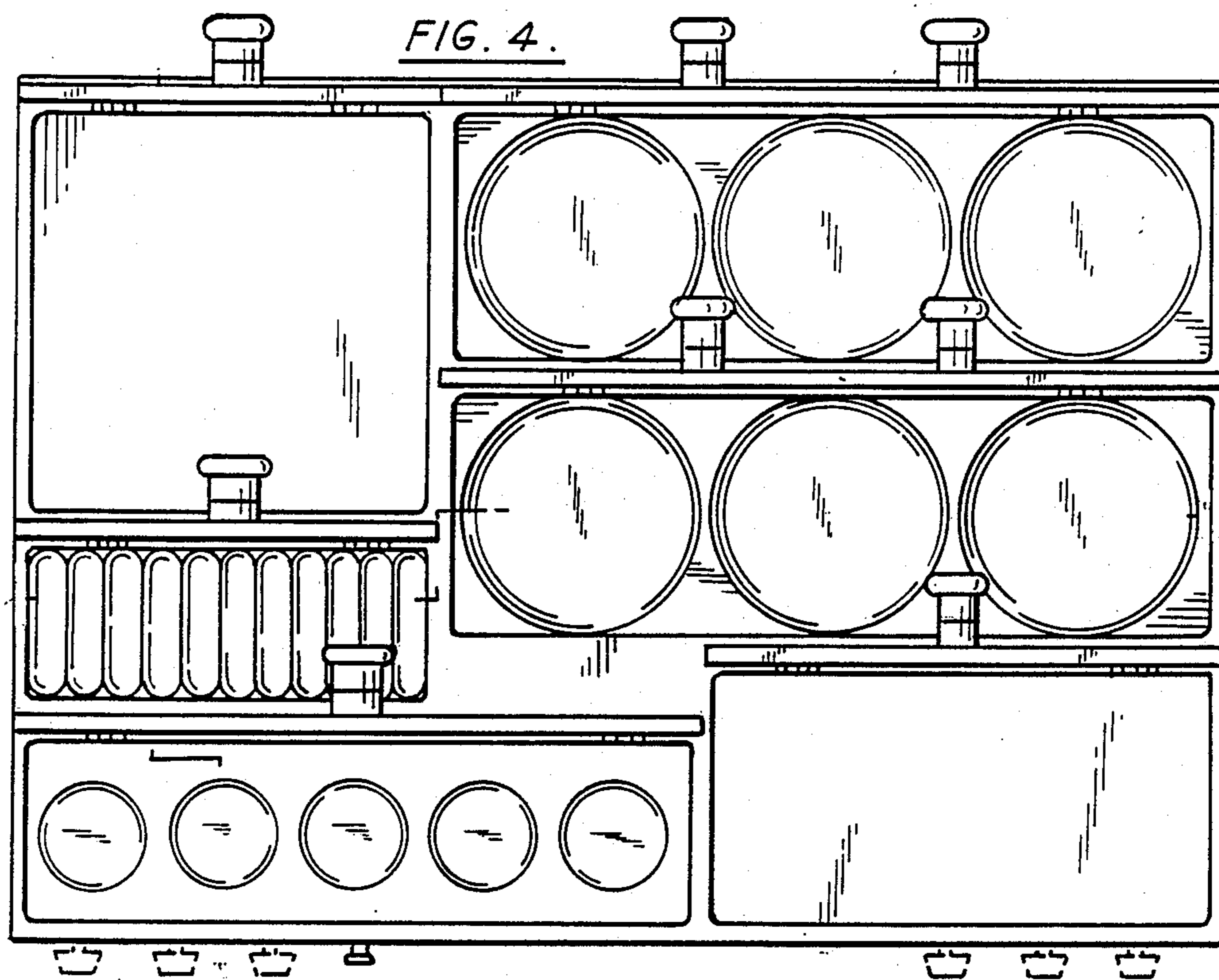


FIG. 3.



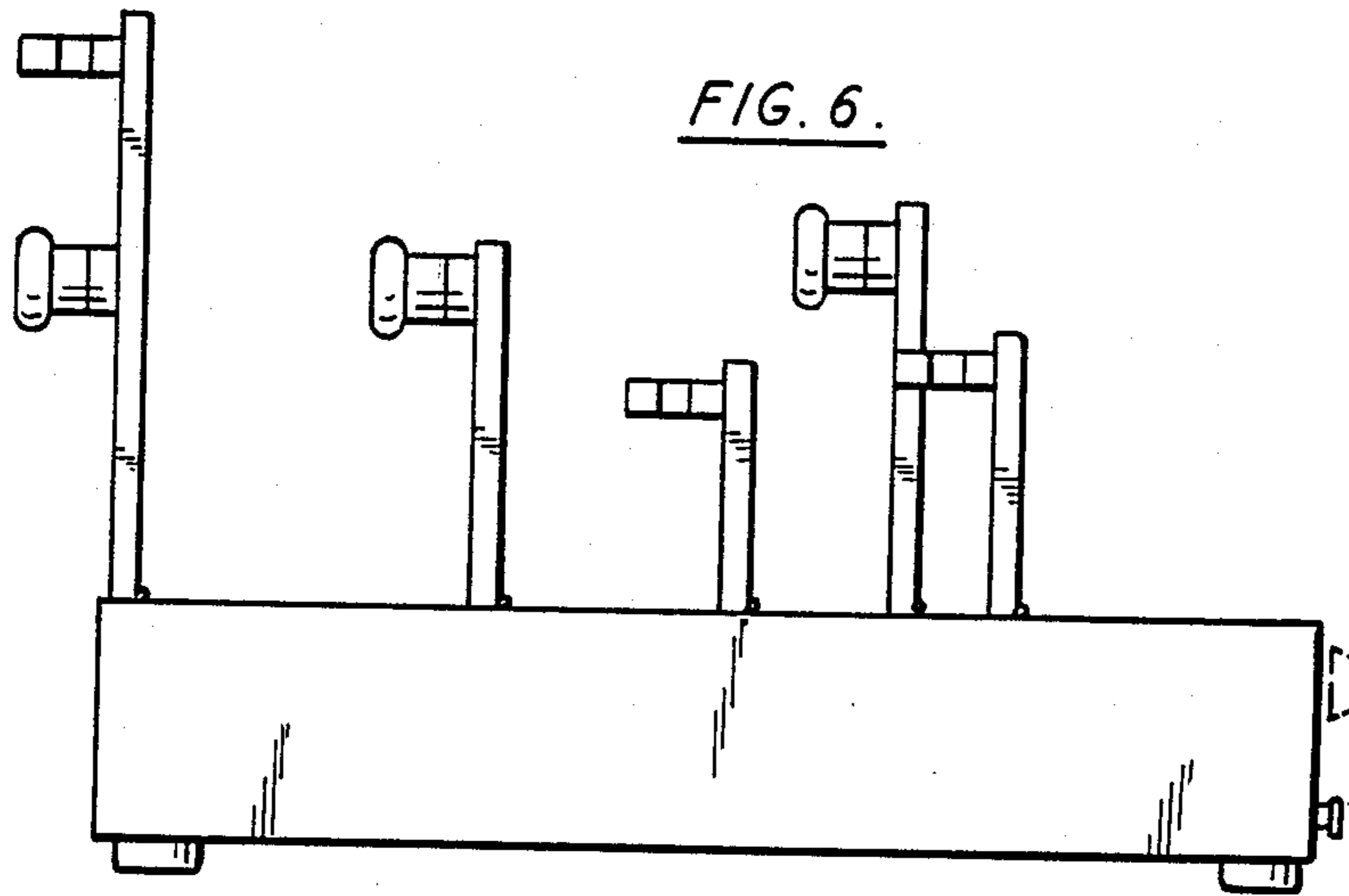


FIG. 7.

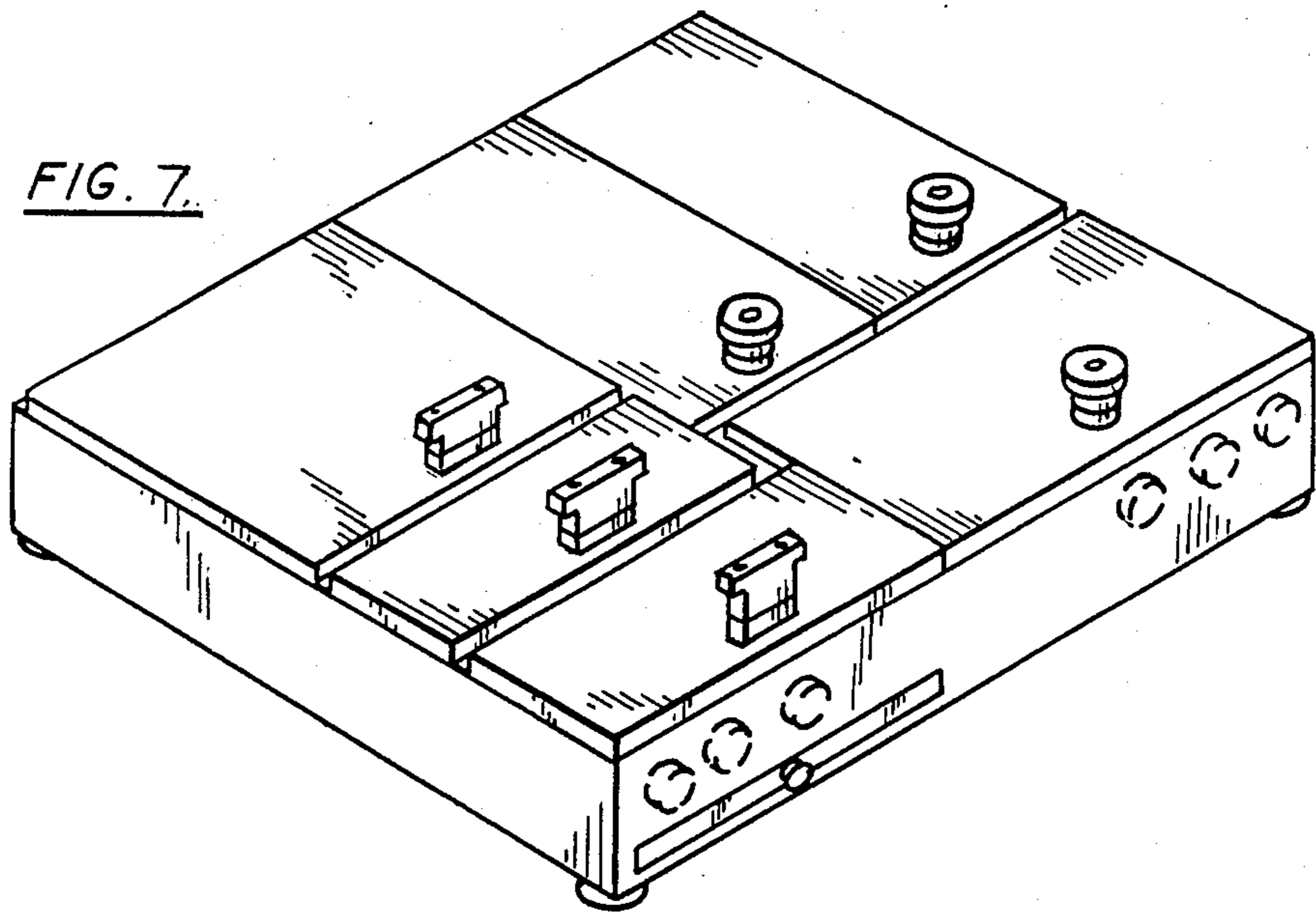


FIG. 8.

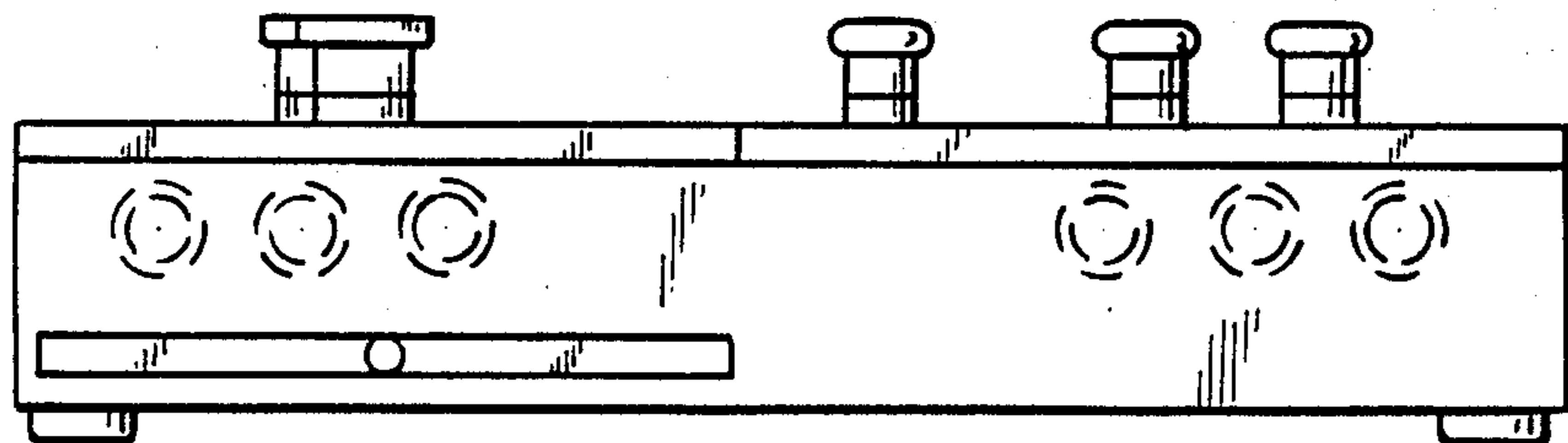
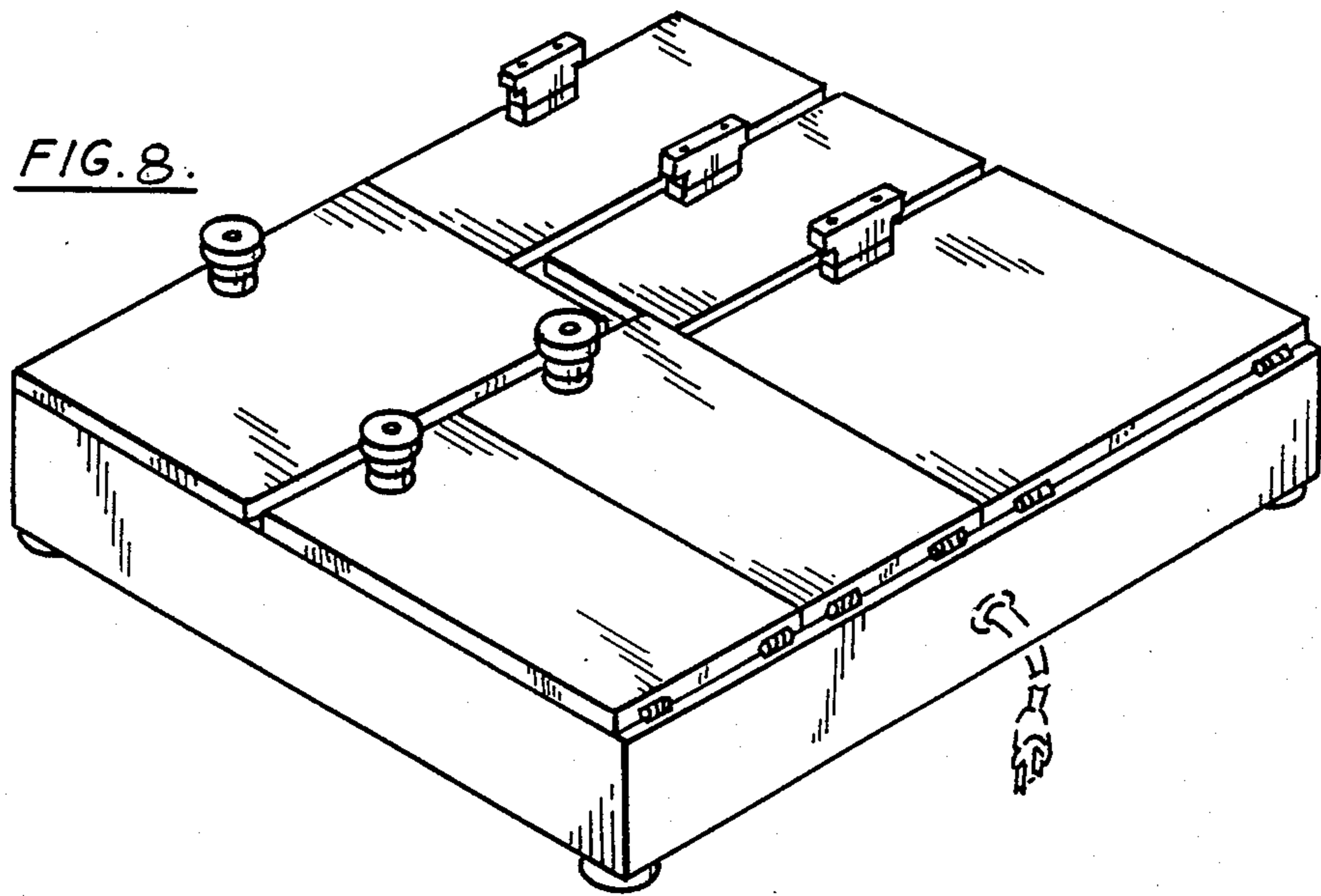


FIG. 9.

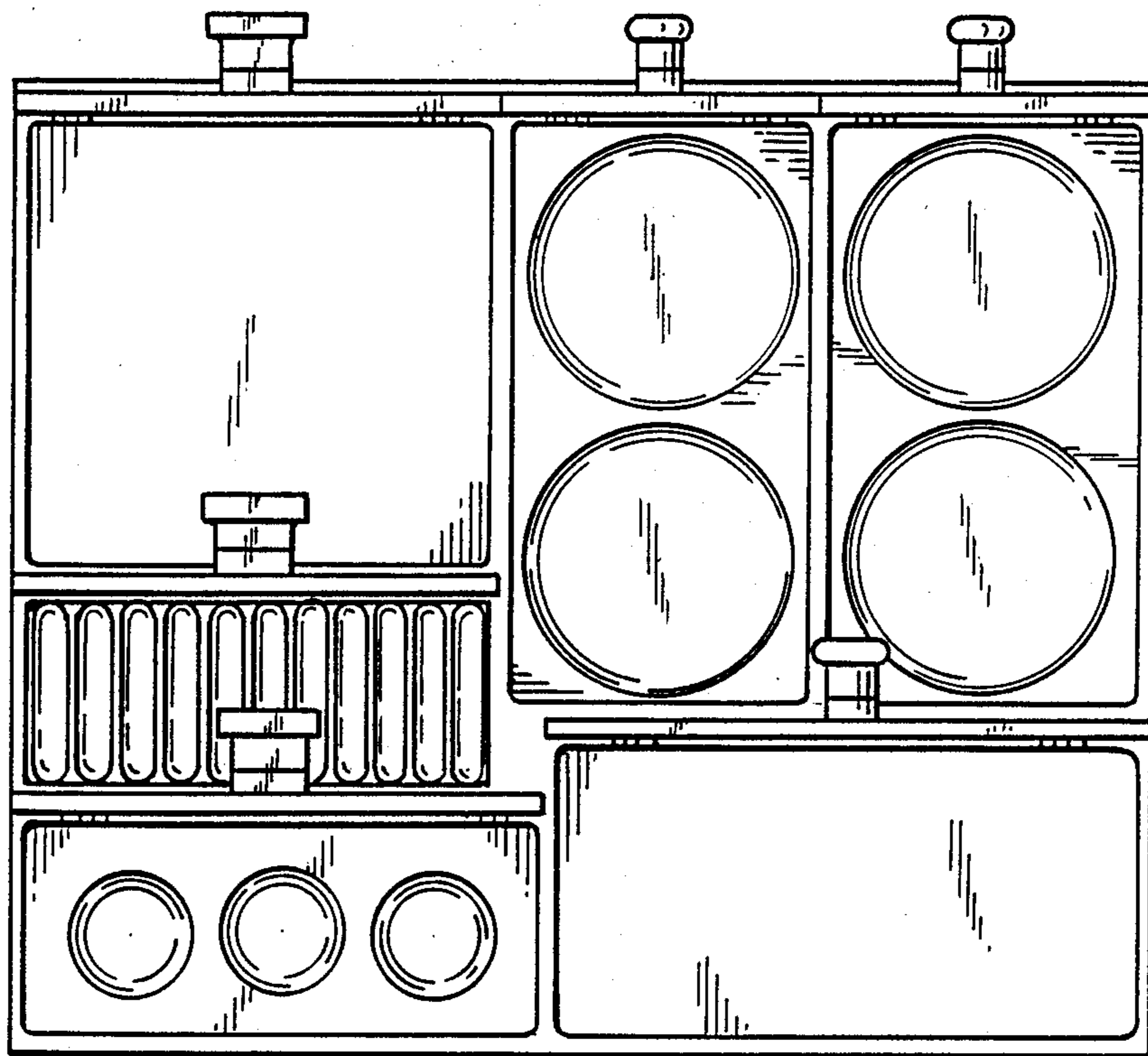


FIG. 10.

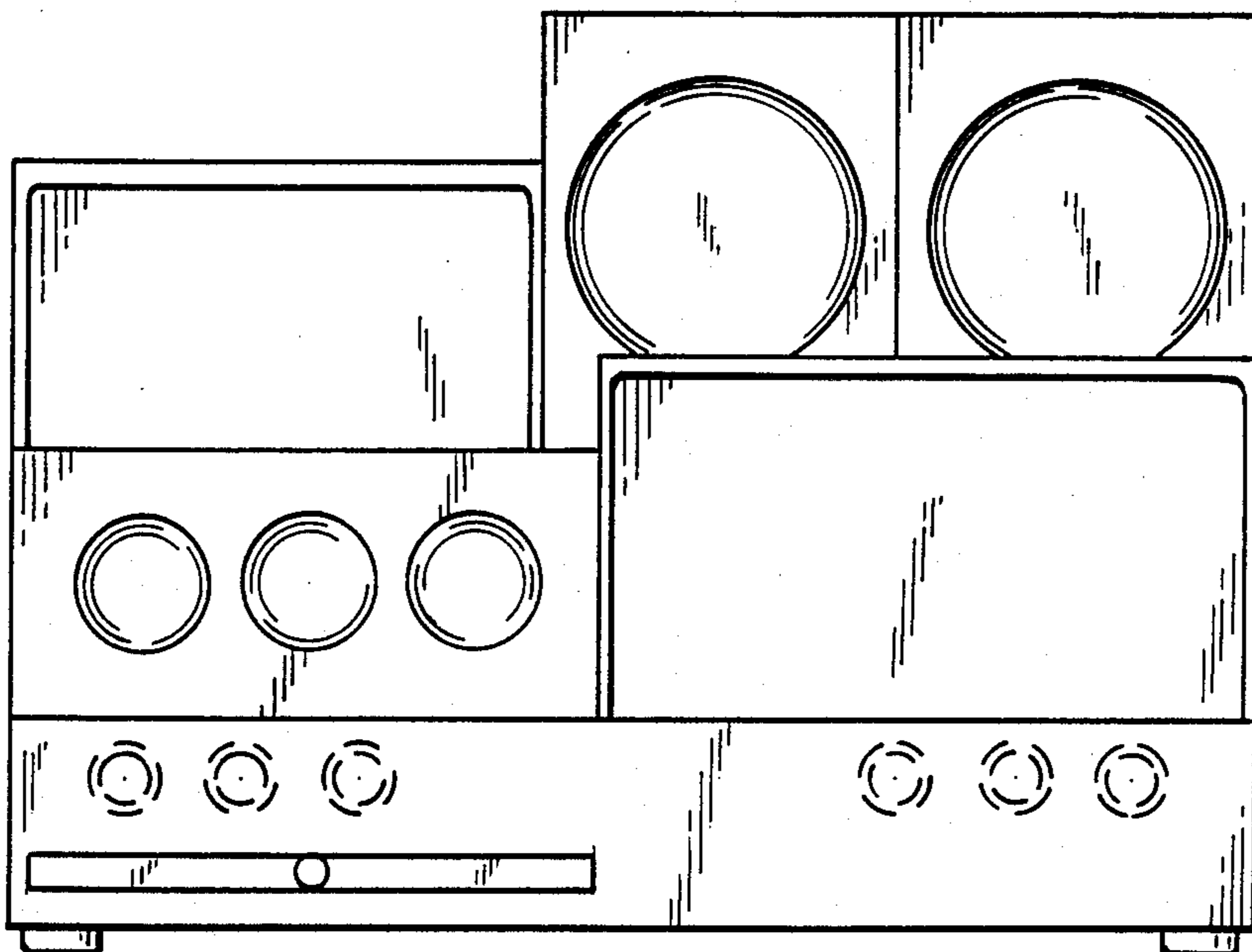


FIG. 11.