

[54] COMBINED JUG, STIRRER, AND ICE HOLDER

515,632 2/1894 Wallace 62/400 X
911,465 2/1909 Weeks 220/23
2,993,629 7/1961 Ruhnke D7/312 X

[75] Inventor: Pier L. Bormioli, Mariano, Italy

[73] Assignee: Vetreria Parmense Bormioli Rocco S.p.A., Parma, Italy

[**] Term: 14 Years

[21] Appl. No.: 72,850

[22] Filed: Jul. 14, 1987

[30] Foreign Application Priority Data

May 15, 1987 [IT] Italy 28951 B/87

[52] U.S. Cl. D7/317; D7/305; D7/312

[58] Field of Search D7/300.2, 316-322, D7/300, 312, 77, 500, 505, 507, 3, 42, 305; 220/23; 62/371, 400, 392; 206/217

[56] References Cited

U.S. PATENT DOCUMENTS

D. 153,493 4/1949 Blakeslee D7/316
D. 190,752 6/1961 Pedersen D7/300.2

OTHER PUBLICATIONS

Garfinckel's at Home Sale, Catalog p. 23, Bedside Water Carafe of Handcut Crystal, top L.
Gift & Tableware Reporter 2nd. Issue, Jul. 1975, p. 27, Avitra Corp. "Jack" Chiller Jug with Tube for Ice.

Primary Examiner—Winifred E. Herrmann
Attorney, Agent, or Firm—Laff, Whitesel, Conte & Saret

[57] CLAIM

The ornamental design for a combined jug, stirrer, and ice holder, as shown and described.

DESCRIPTION

FIG. 1 is a side elevational view of a combined jug, stirrer, and ice holder showing my new design, the side opposite being a mirror image thereof; FIG. 2 is an elevational view from the left of FIG. 1; FIG. 3 is an enlarged sectional view taken on line 3-3 of FIG. 2; FIG. 4 is a top plan view; and FIG. 5 is a bottom plan view thereof.

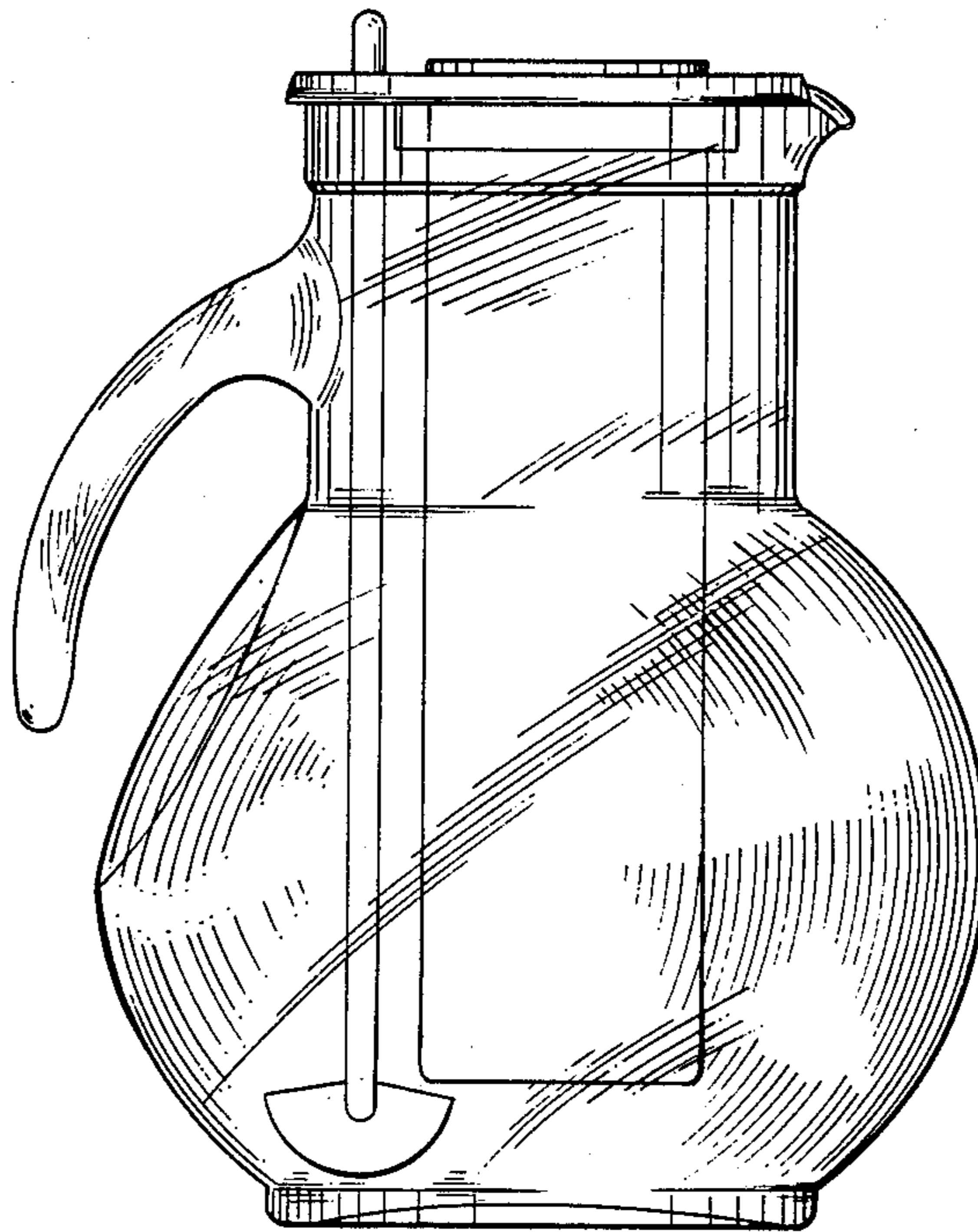


FIG. 1

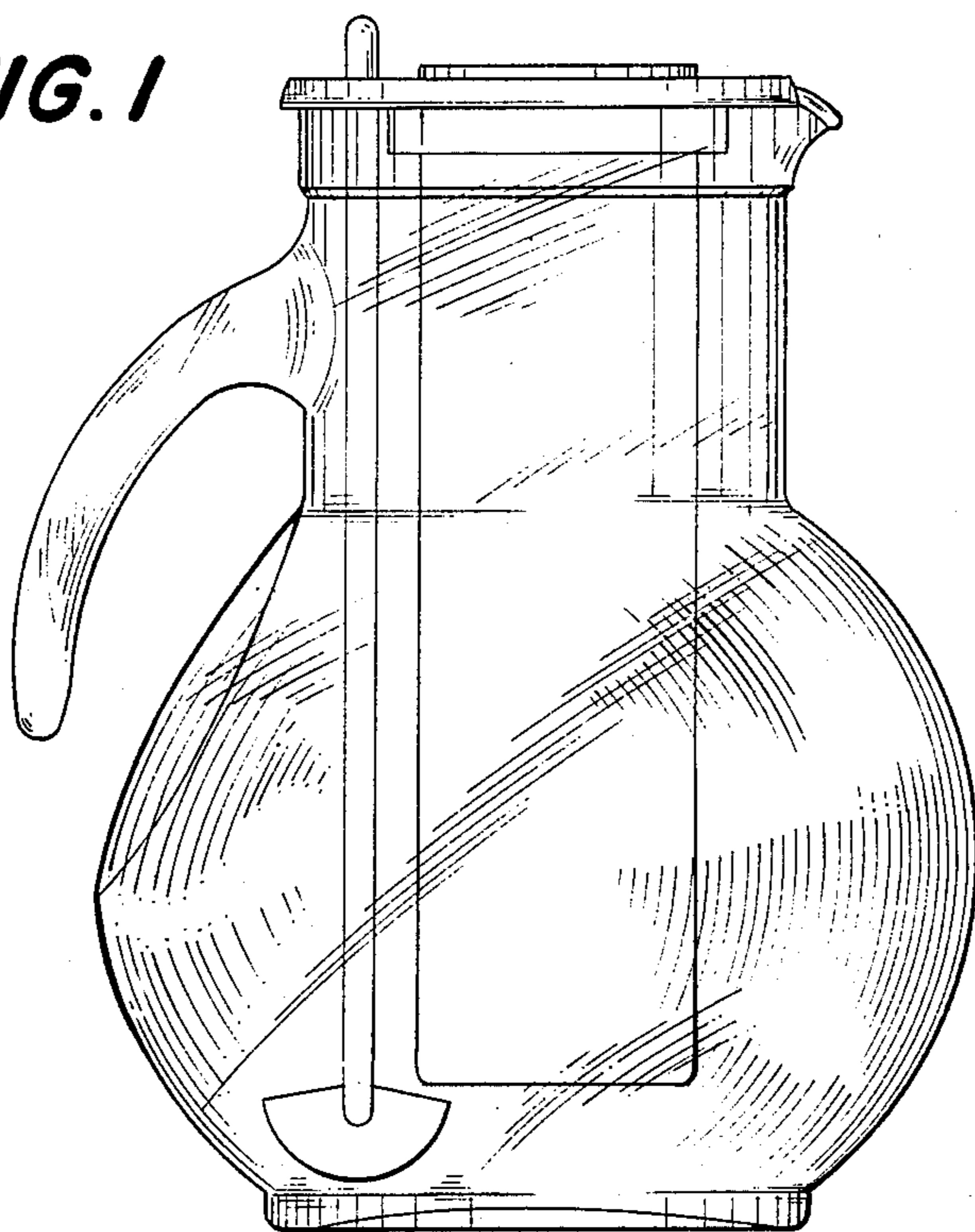


FIG. 5

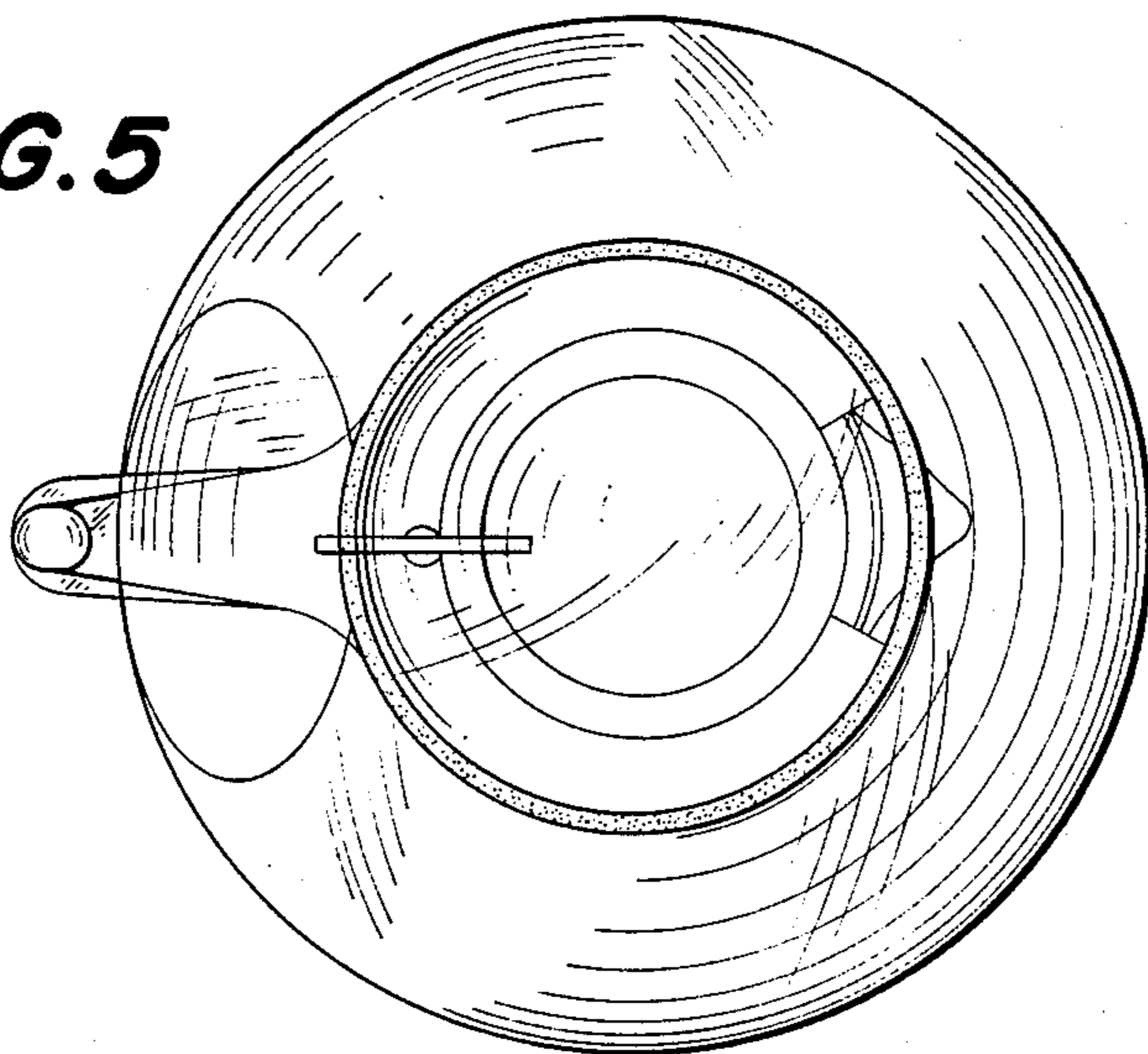


FIG. 2

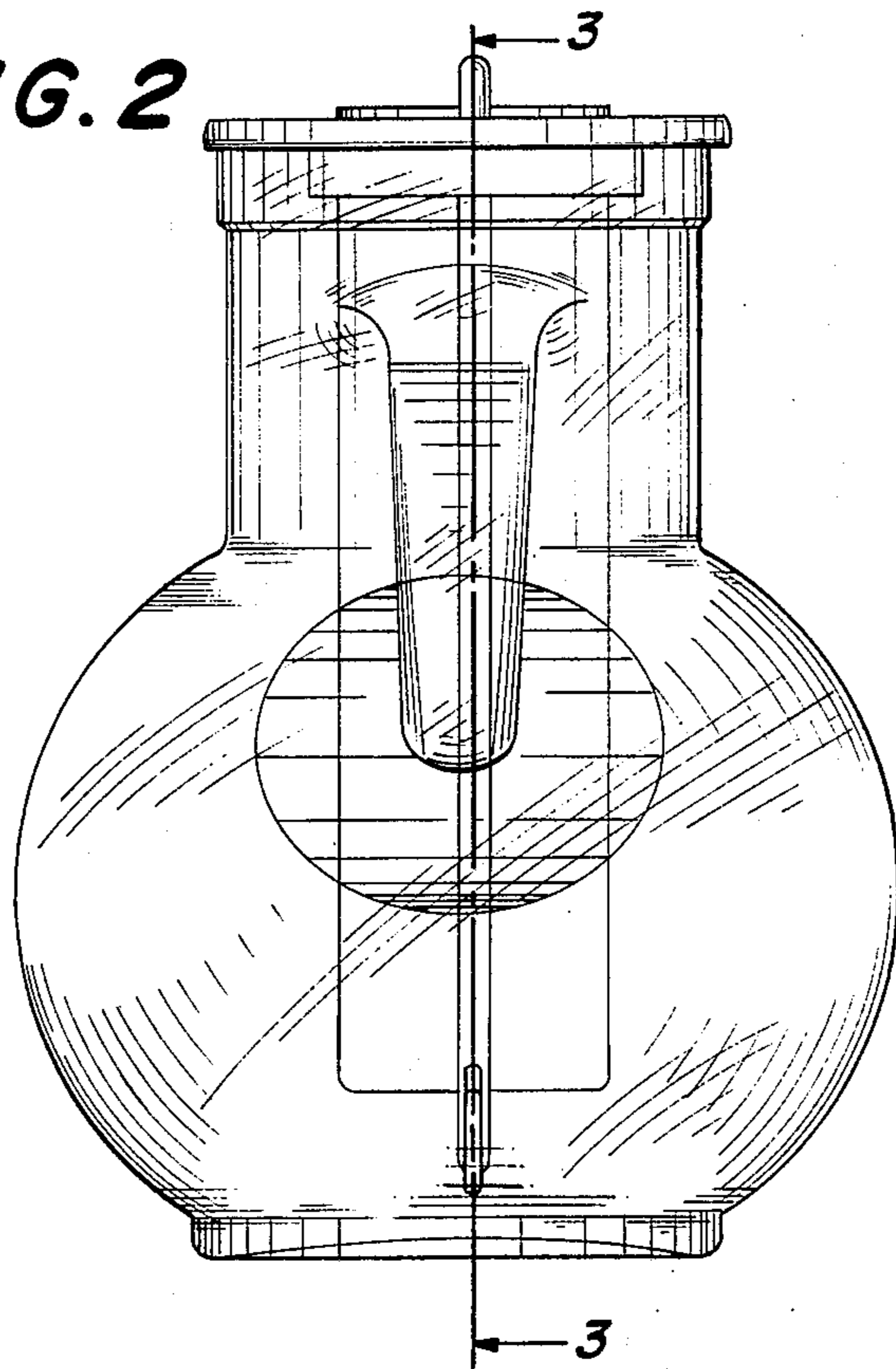
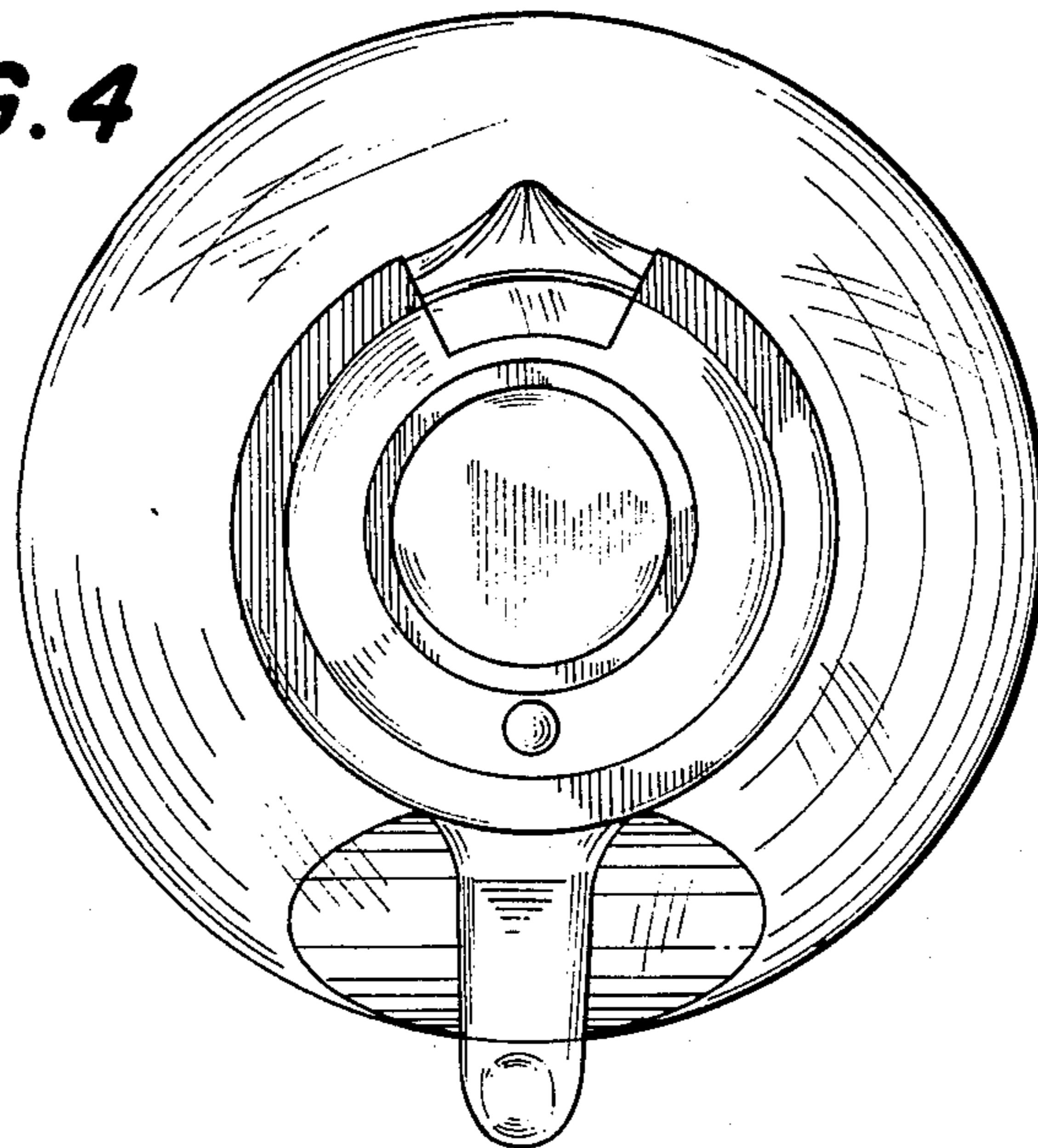


FIG. 4



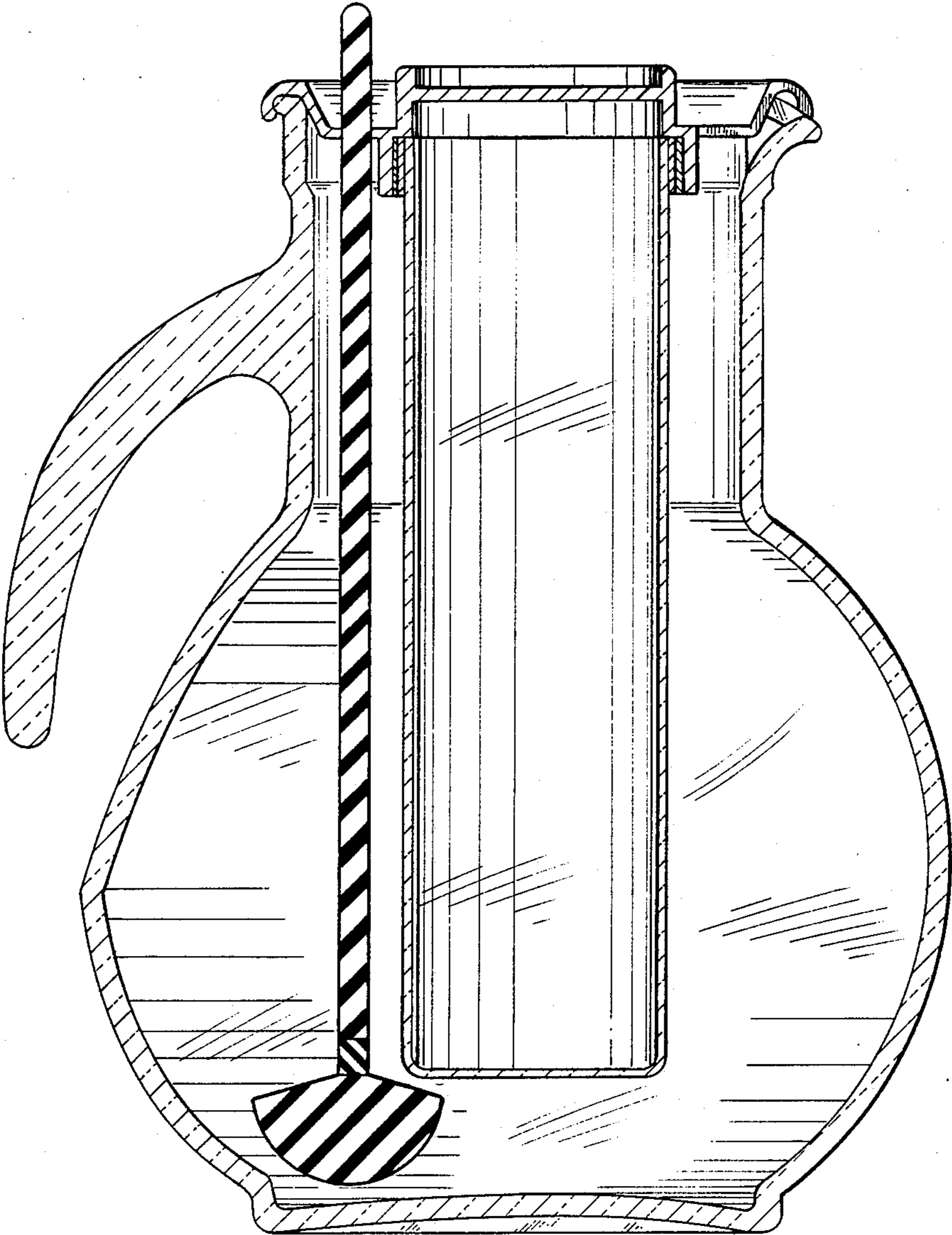


FIG. 3