

[54] CHANGING TABLE FOR A BABY

[75] Inventor: Allan J. Socher, Paterson, N.J.

[73] Assignee: RPF Holding Corporation, Paterson, N.J.

[**] Term: 14 Years

[21] Appl. No.: 110,655

[22] Filed: Oct. 16, 1987

[52] U.S. Cl. D6/384; D6/480

[58] Field of Search D6/480, 482-487, D6/429, 442, 461, 464, 511, 384, 406; D7/550, 553, 554

[56] References Cited

U.S. PATENT DOCUMENTS

- D. 208,317 8/1967 Broder D7/553
- D. 224,872 10/1972 Voytko D6/384
- D. 225,290 12/1972 Torrey D6/406
- D. 281,555 12/1985 Levy D6/406
- D. 285,508 9/1986 Murphy D6/429

- 3,261,651 7/1966 Prowse D6/384 X
- 3,656,193 4/1972 Schneider et al. D7/553 X
- 3,670,938 6/1972 Brocato D7/554 X
- 4,577,788 3/1986 Richardson D7/406 X

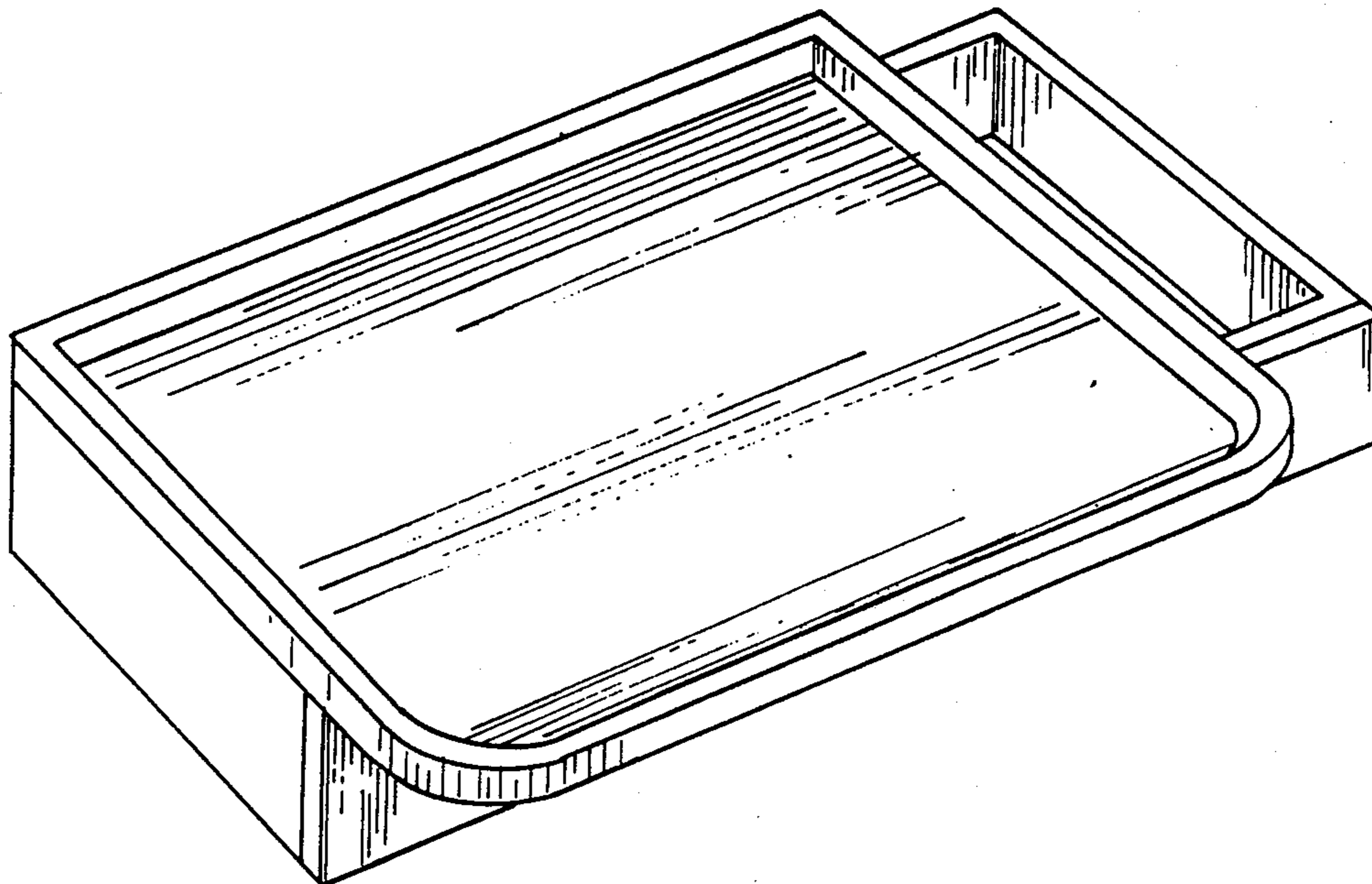
Primary Examiner—Bruce W. Dunkins
Assistant Examiner—Janice Seeger
Attorney, Agent, or Firm—Ezra Sutton

[57] CLAIM

The ornamental design for a changing table for a baby, as shown and described.

DESCRIPTION

FIG. 1 is a perspective view of a changing table for a baby embodying my new design;
FIG. 2 is a front elevational view;
FIG. 3 is a rear elevational view;
FIG. 4 is a left side elevational view;
FIG. 5 is a right side elevational view;
FIG. 6 is a top plan view;
FIG. 7 is a bottom plan view; and
FIG. 8 is a perspective view of a changing table for a baby, showing a second embodiment of my new design.



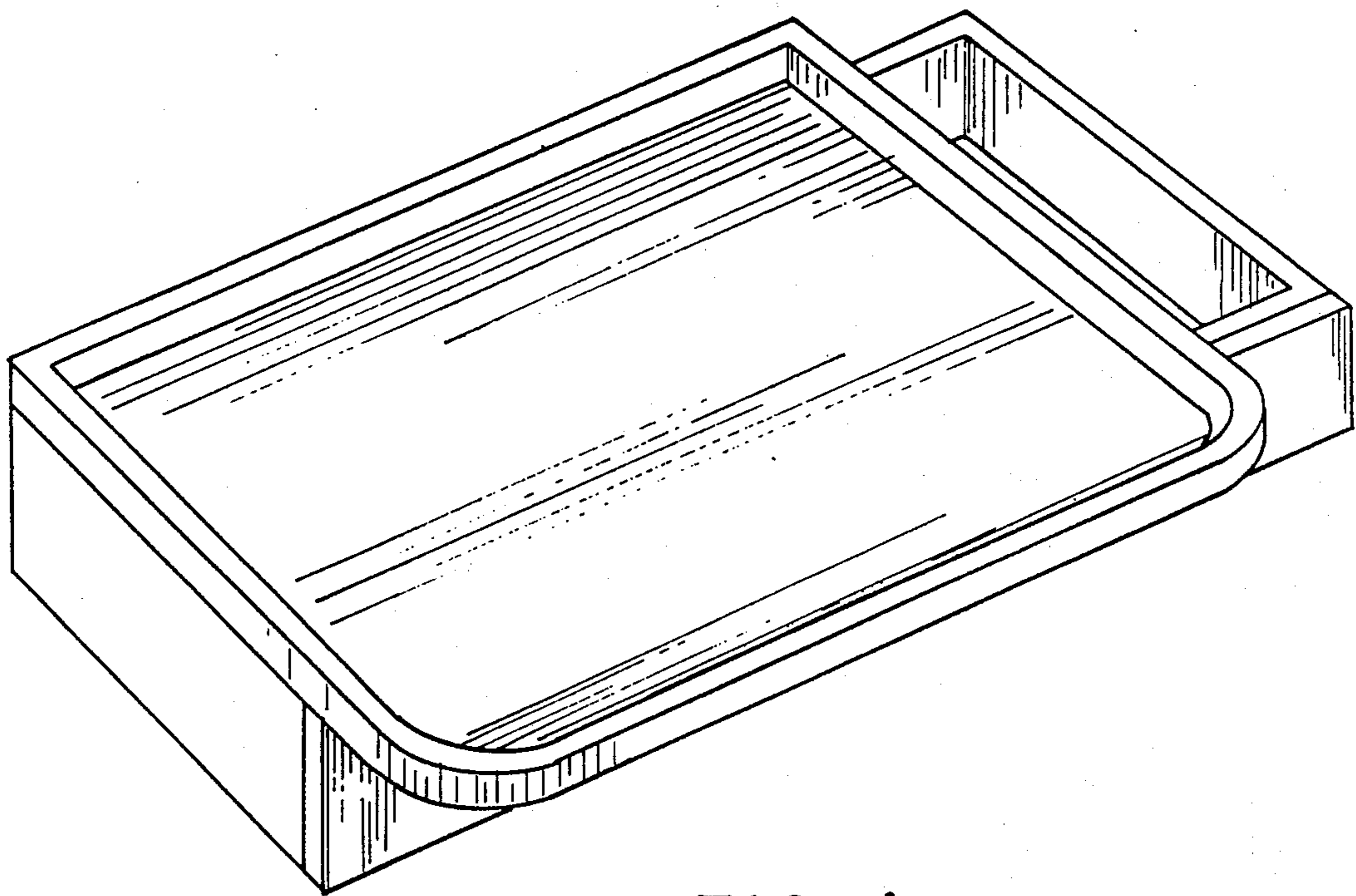


FIG. 1

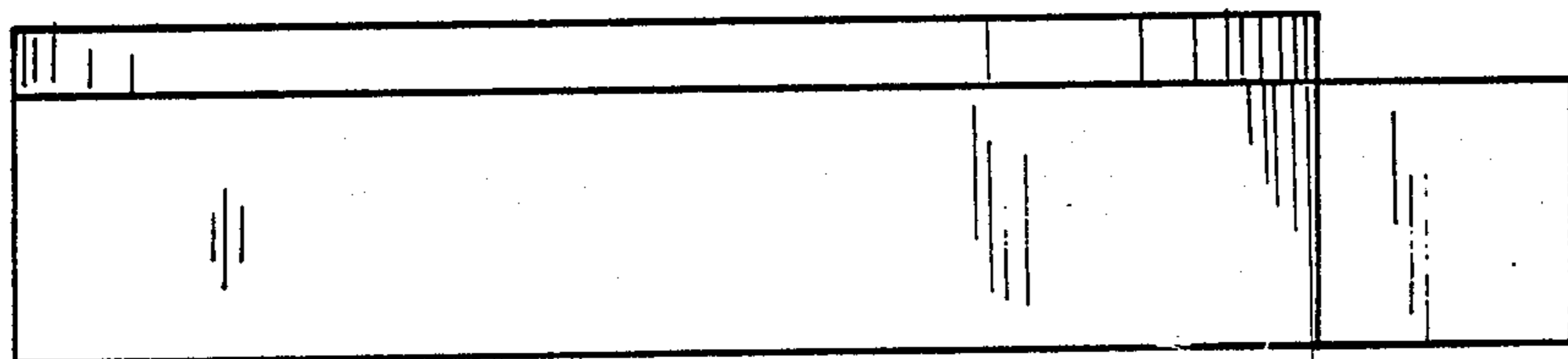


FIG. 2

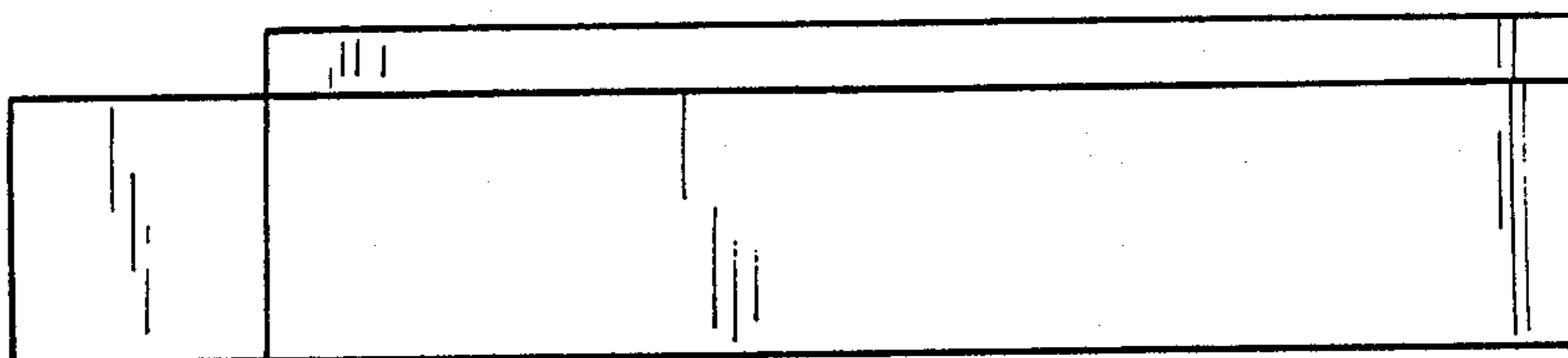


FIG. 3

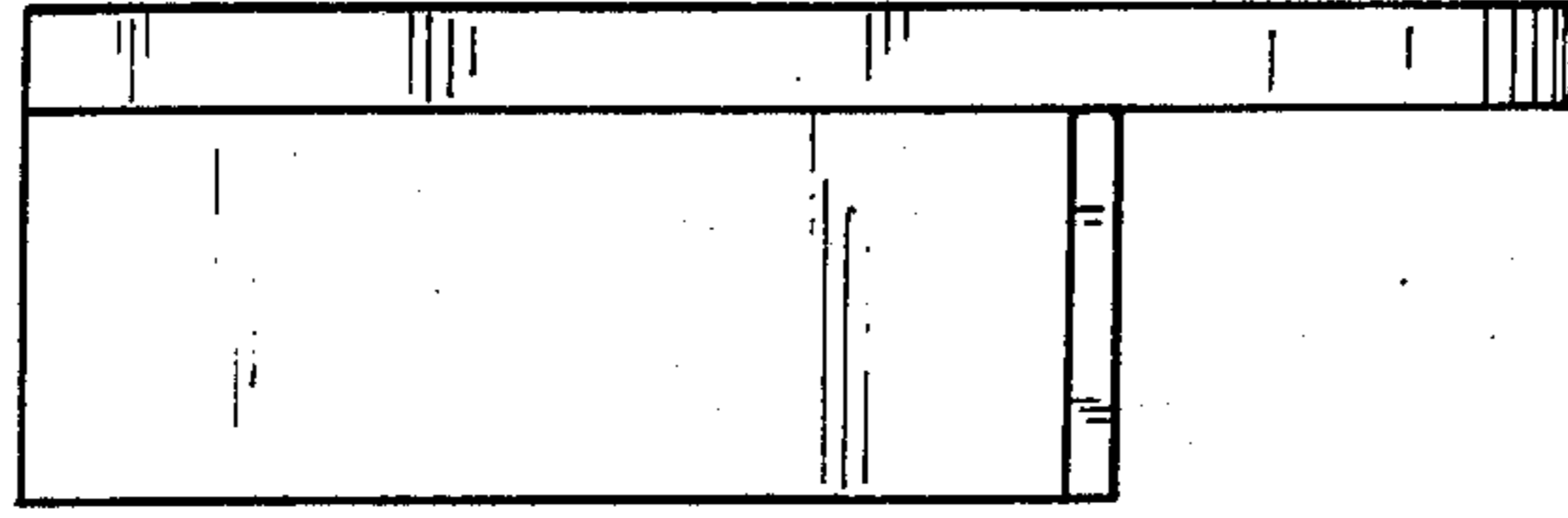


FIG. 4

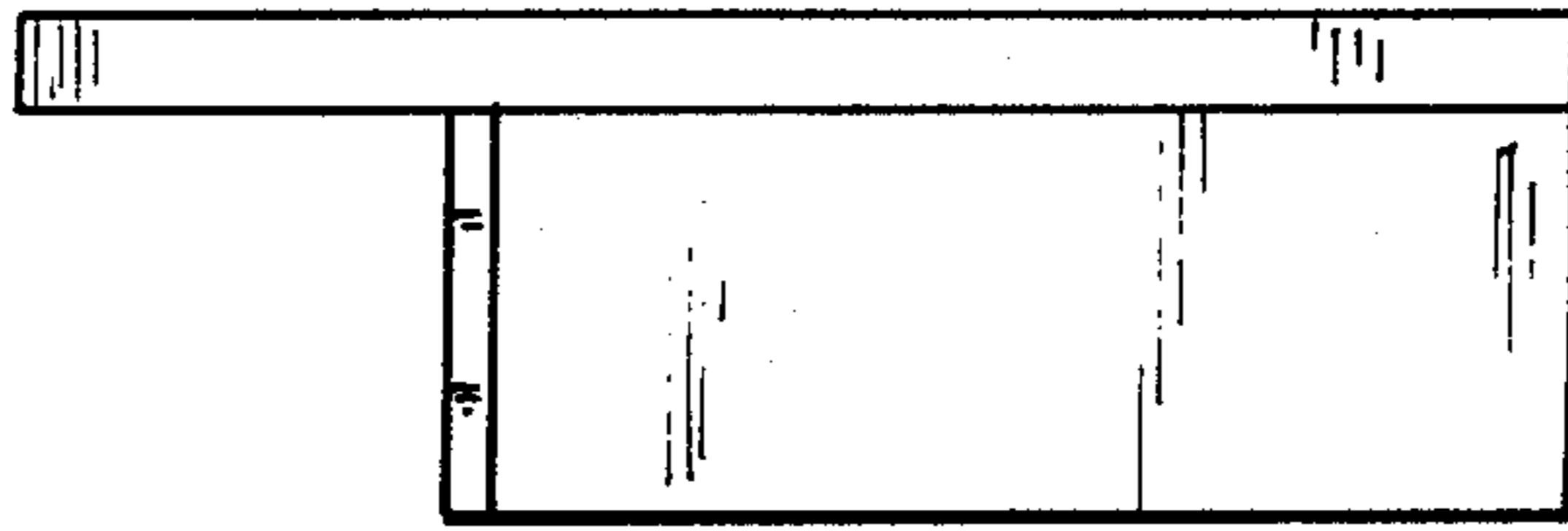


FIG. 5

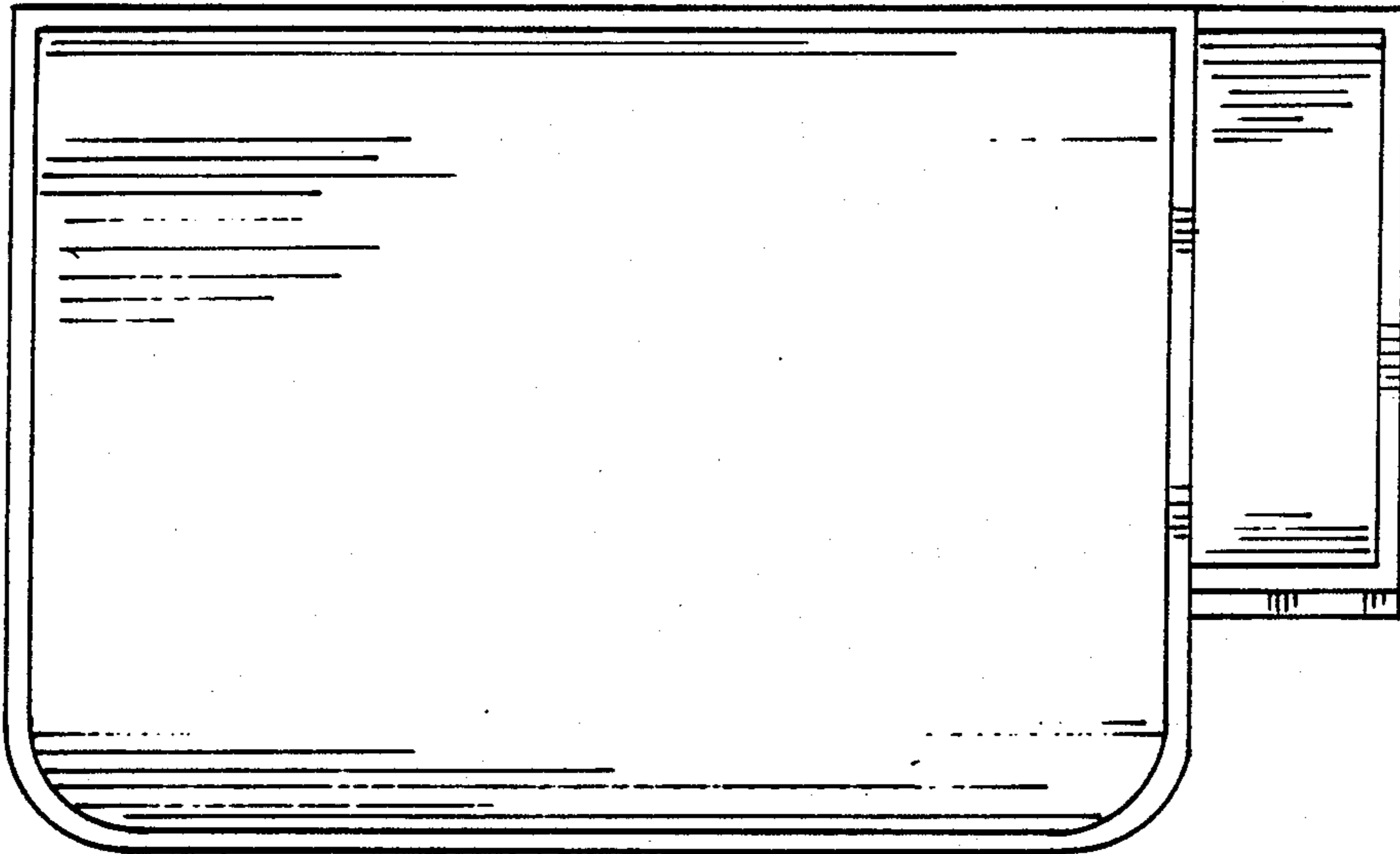


FIG. 6

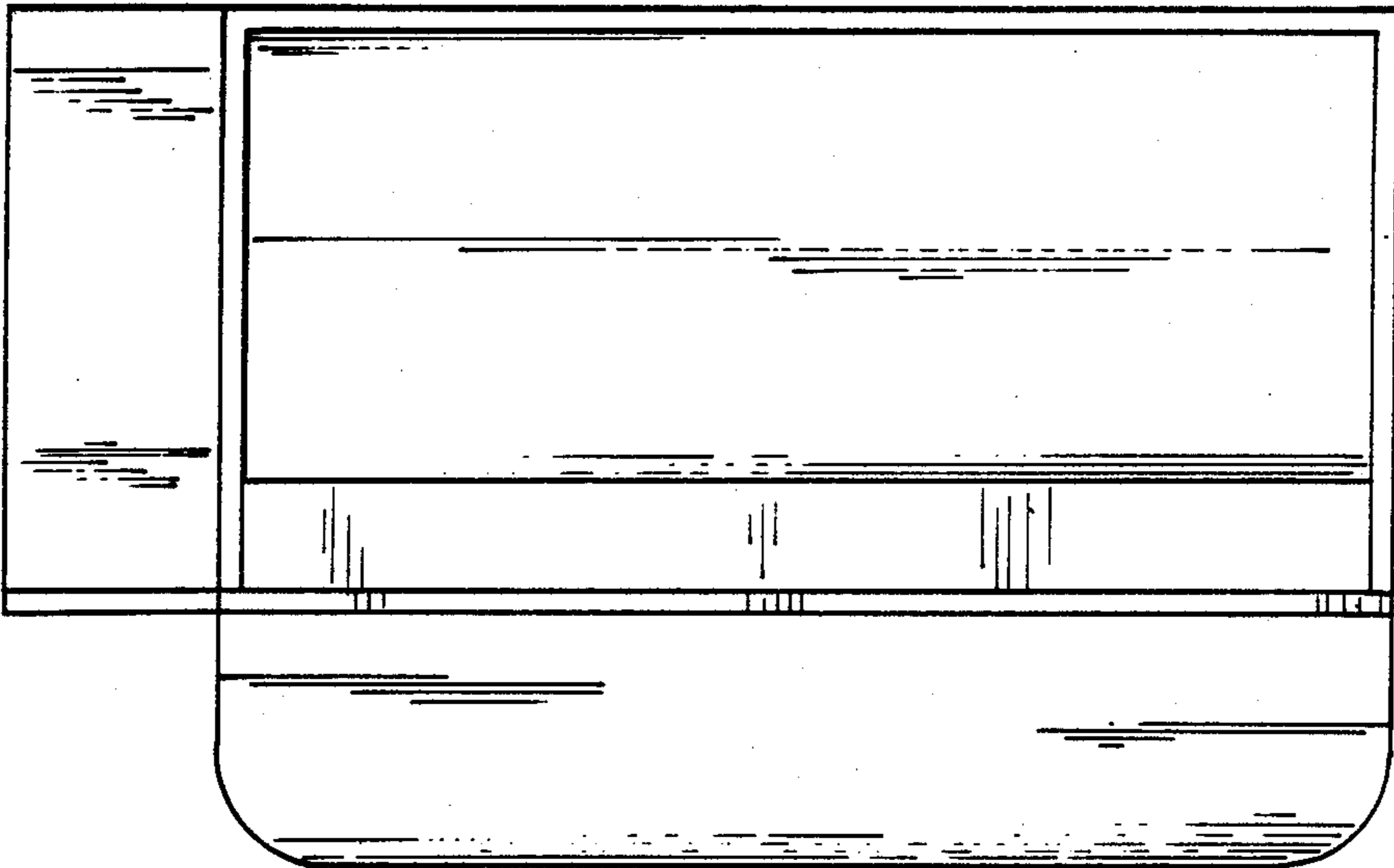


FIG. 7

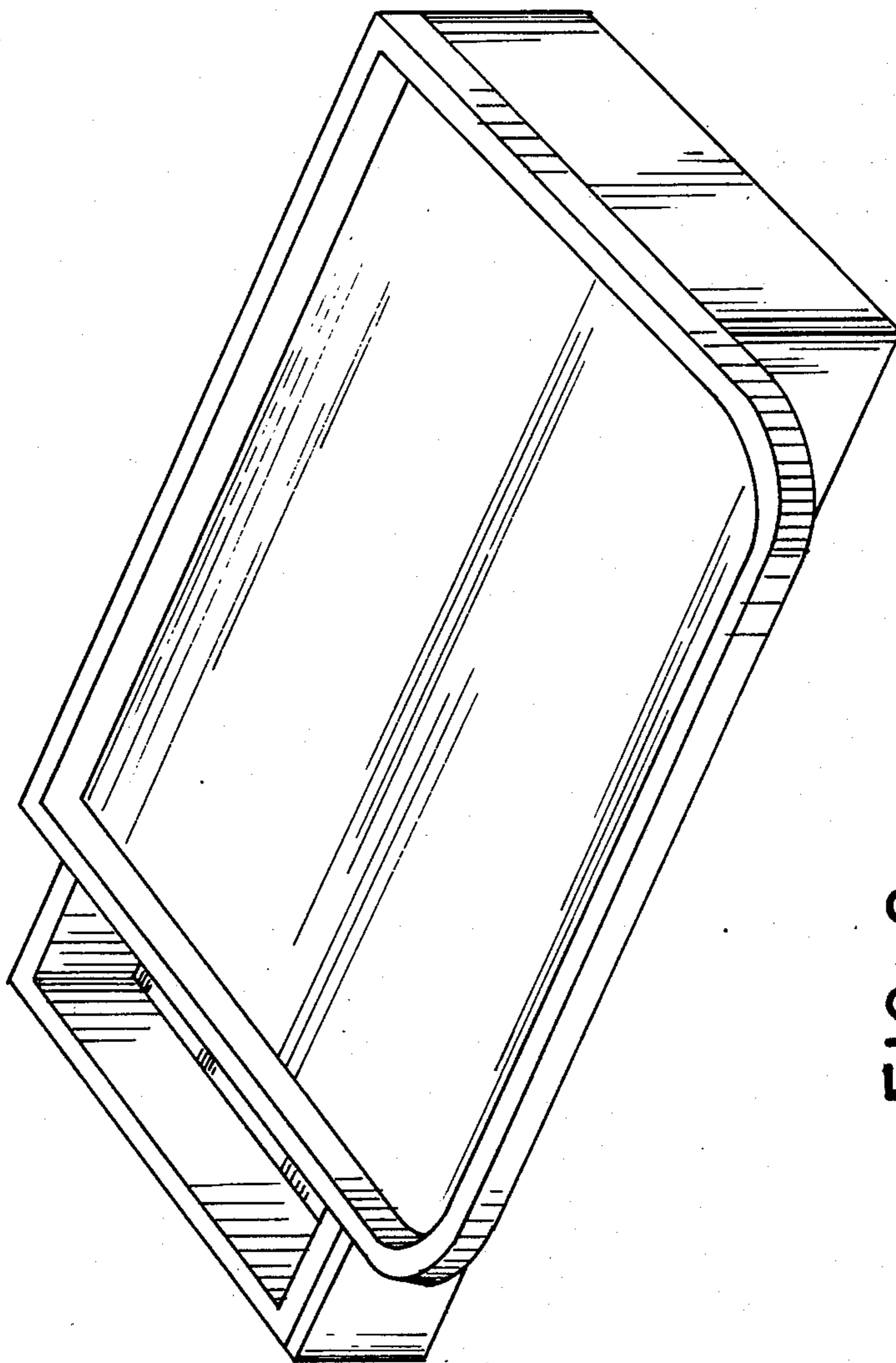


FIG. 8