

[54] **ARMCHAIR**

[75] **Inventor:** Noel S. D. Wood, Lindfield, Australia

[73] **Assignee:** Sebel Furniture Ltd., Bankstown, Australia

[**] **Term:** 14 Years

[21] **Appl. No.:** 226,159

[22] **Filed:** Oct. 3, 1988

Related U.S. Application Data

[62] Division of Ser. No. 845,079, Mar. 18, 1986.

[30] **Foreign Application Priority Data**

Sep. 19, 1985 [AU] Australia 2629/85

[52] **U.S. Cl.** D6/380; D6/370

[58] **Field of Search** D6/379, 380

[56] **References Cited**

U.S. PATENT DOCUMENTS

D. 272,303 1/1984 Deconinck D6/380
D. 292,149 10/1987 Monesi D6/380
D. 297,077 8/1988 Revheim D6/379
D. 298,090 10/1988 Kaminski D6/379

OTHER PUBLICATIONS

Interiors, Jun. 1967, p. 135, Chair, right of page.

Primary Examiner—Bruce W. Dunkins

Assistant Examiner—Ann Hunt

Attorney, Agent, or Firm—Townsend and Townsend

[57] **CLAIM**

The ornamental design for an armchair, as shown.

DESCRIPTION

FIG. 1 is a front perspective view of the armchair showing my new designs;

FIG. 2 is a bottom plan view;

FIG. 3 is a top plan view;

FIG. 4 is a front elevational view;

FIG. 5 is a rear elevational view;

FIG. 6 is a left side elevational view; and

FIG. 7 is a right side elevational view thereof;

FIG. 8 is a front perspective view of a second embodiment of the armchair showing my new design;

FIG. 9 is a bottom plan view;

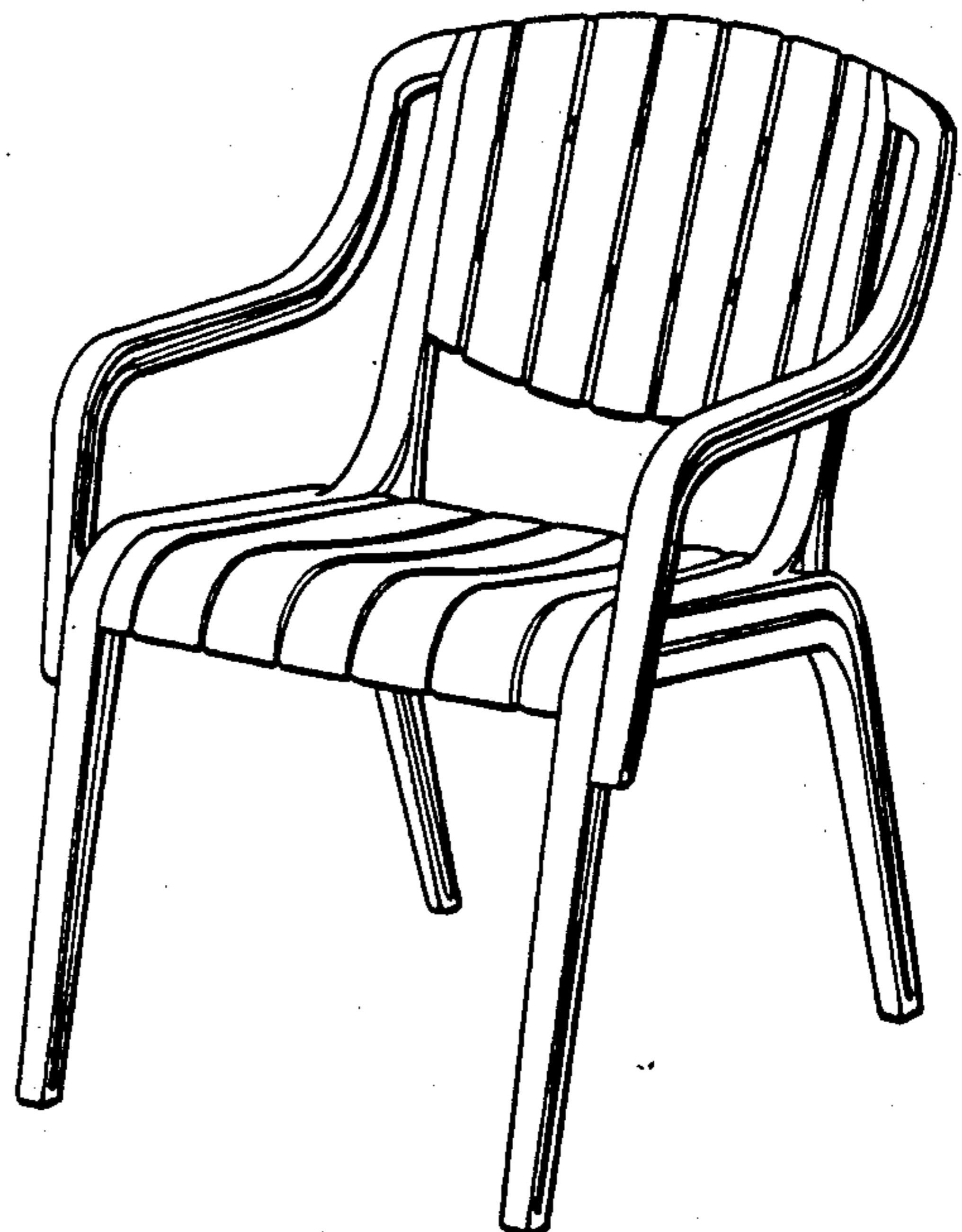
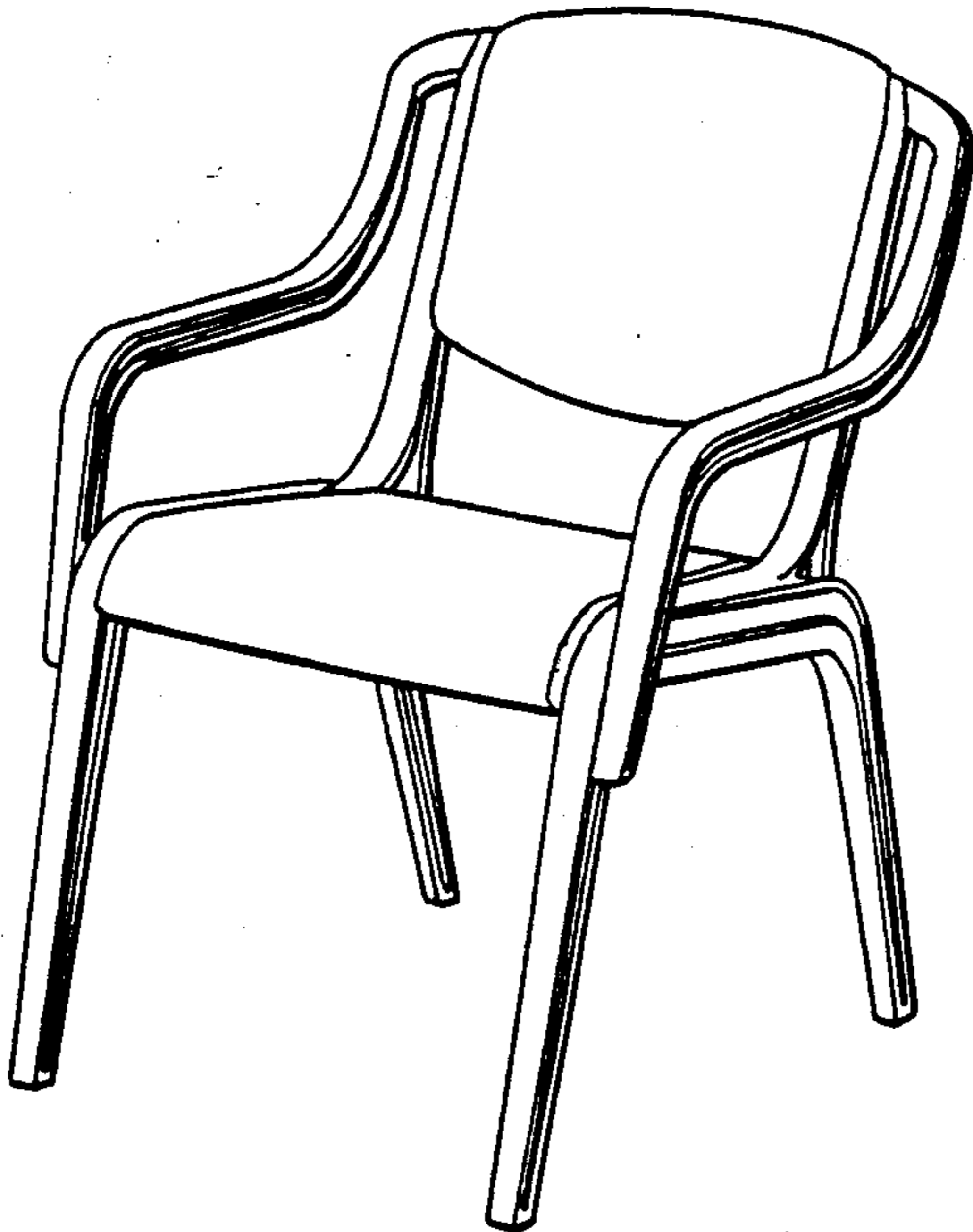
FIG. 10 is a top plan view;

FIG. 11 is a front elevational view;

FIG. 12 is a rear elevational view;

FIG. 13 is a left side elevational view; and

FIG. 14 is a right side elevational view thereof.



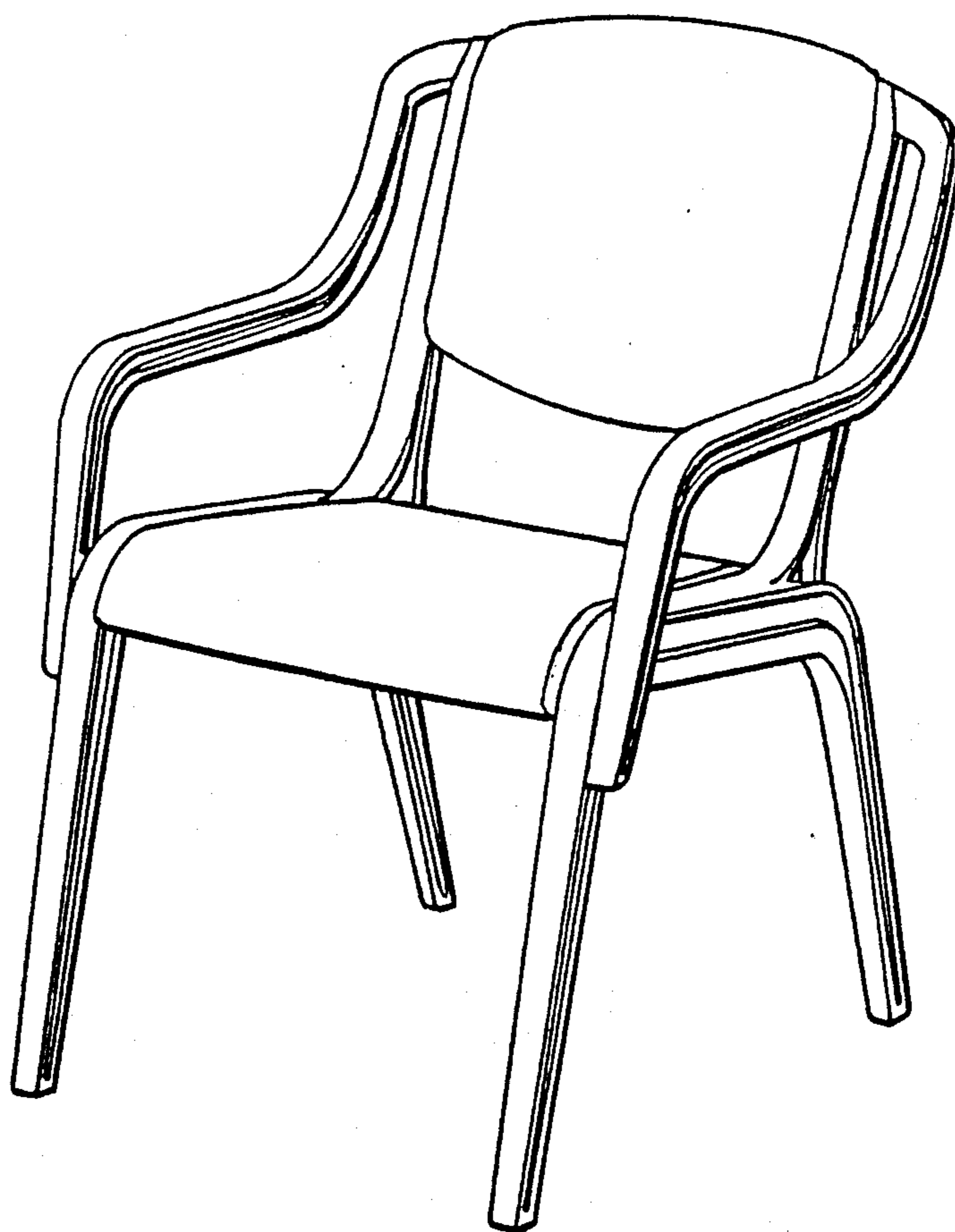


FIG. 1.

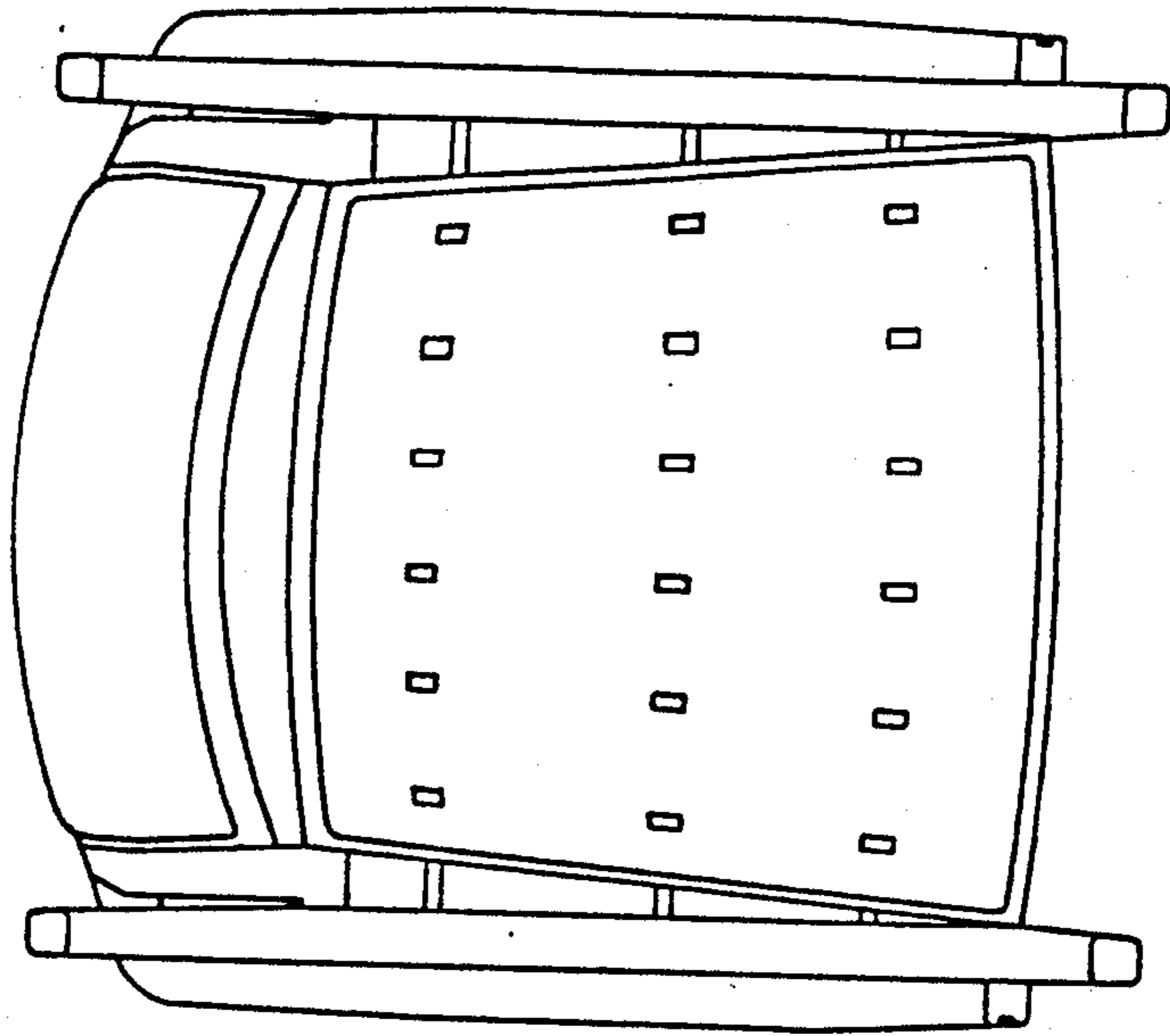


FIG. 2.

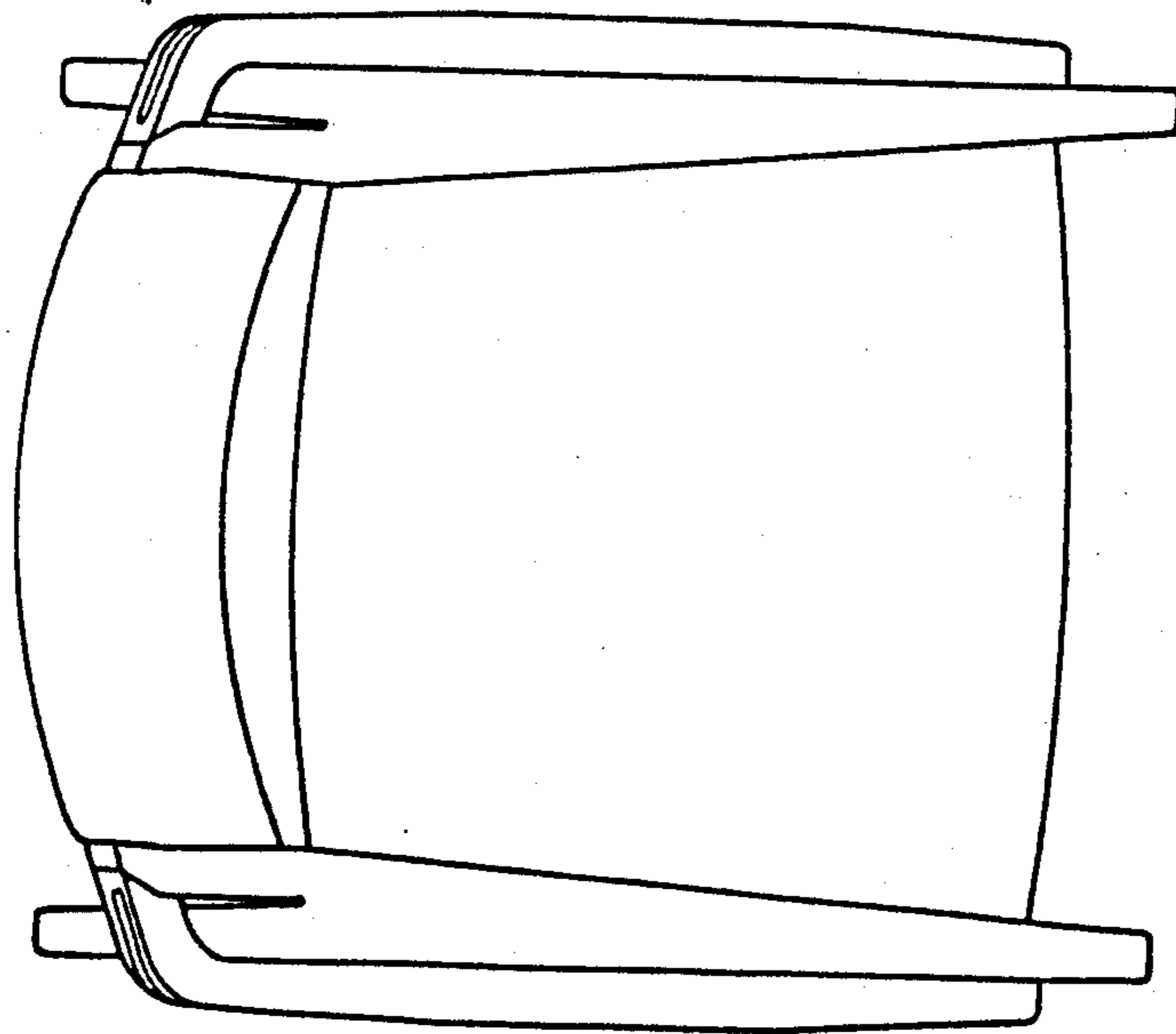


FIG. 3.

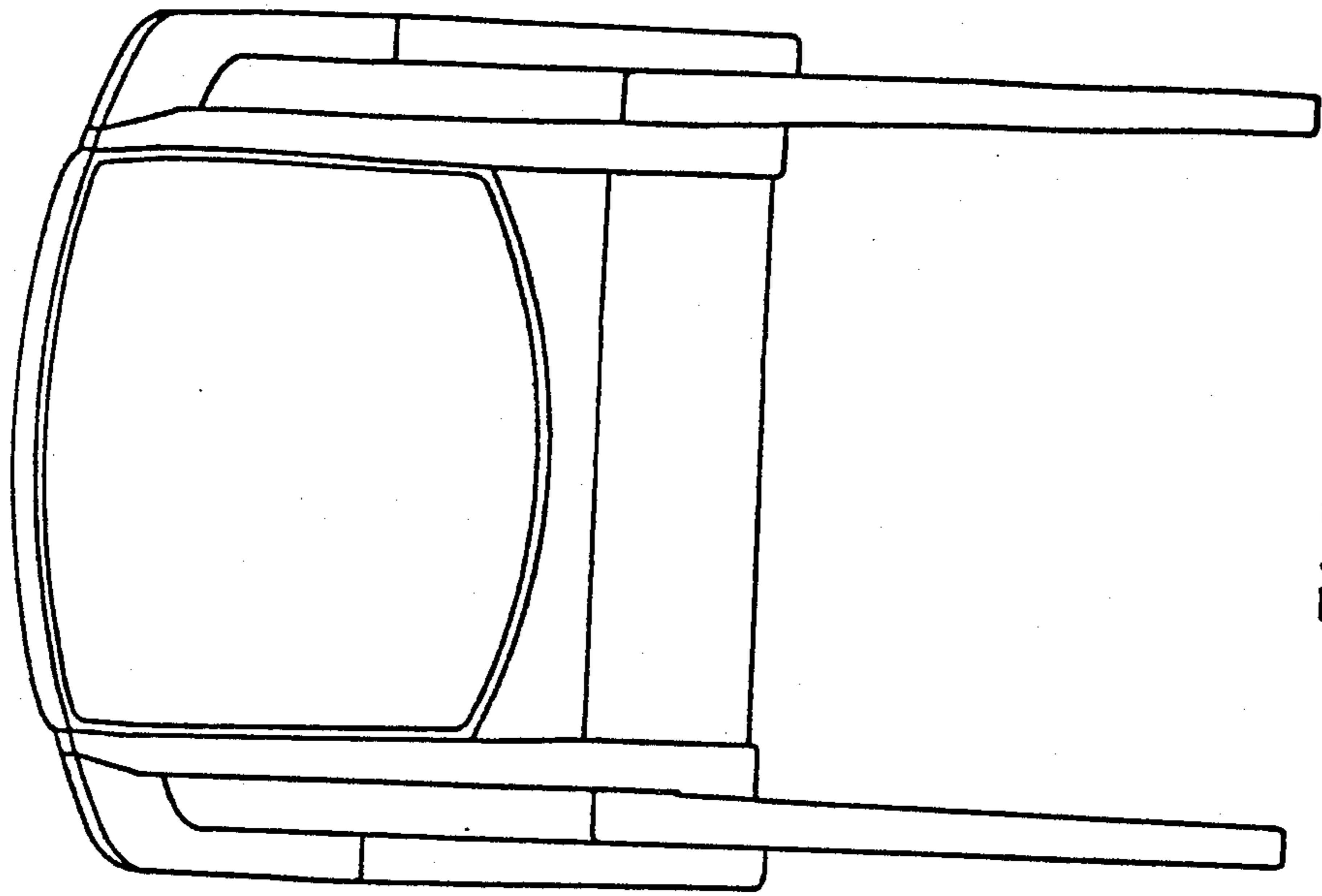


FIG. 5.

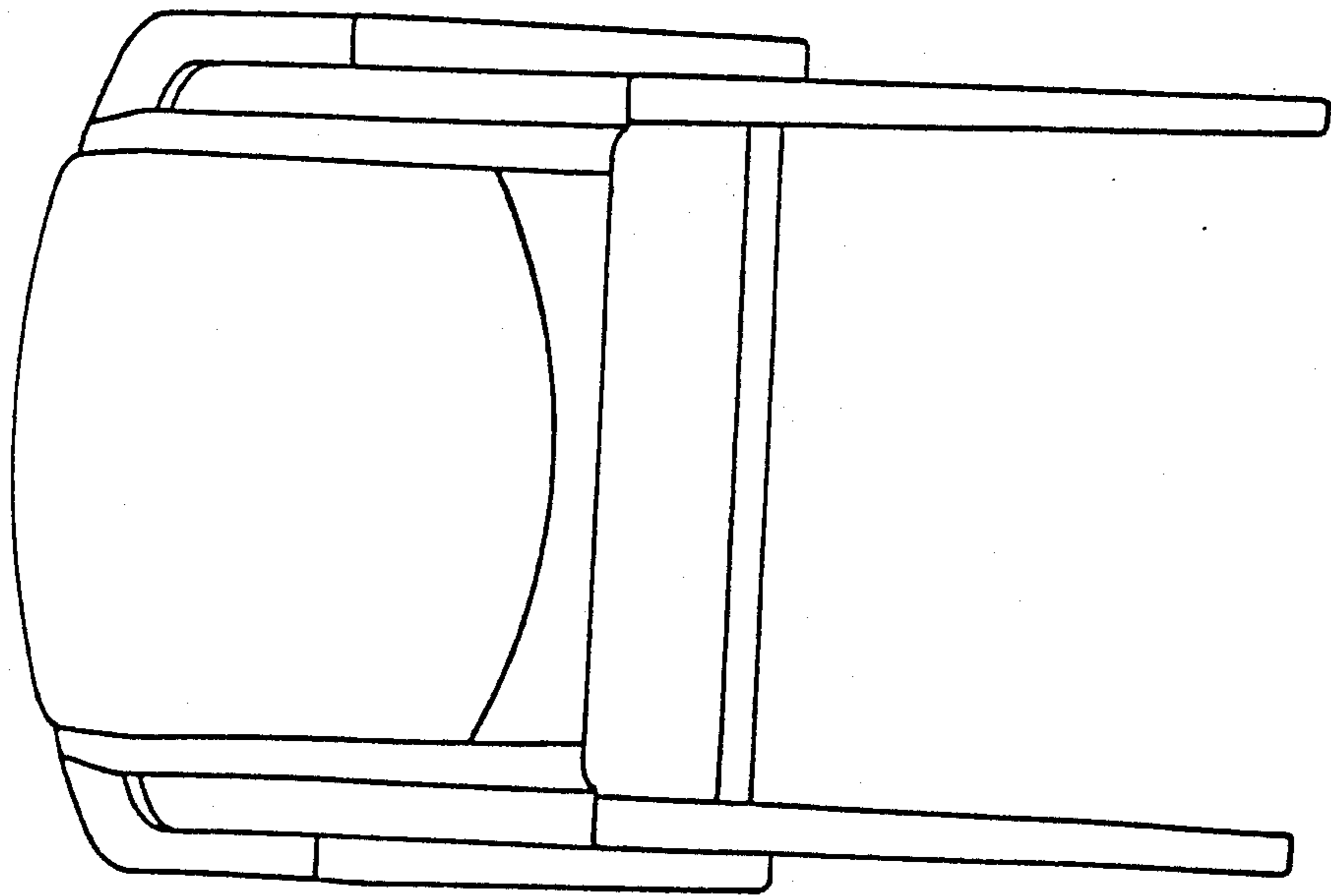


FIG. 4.

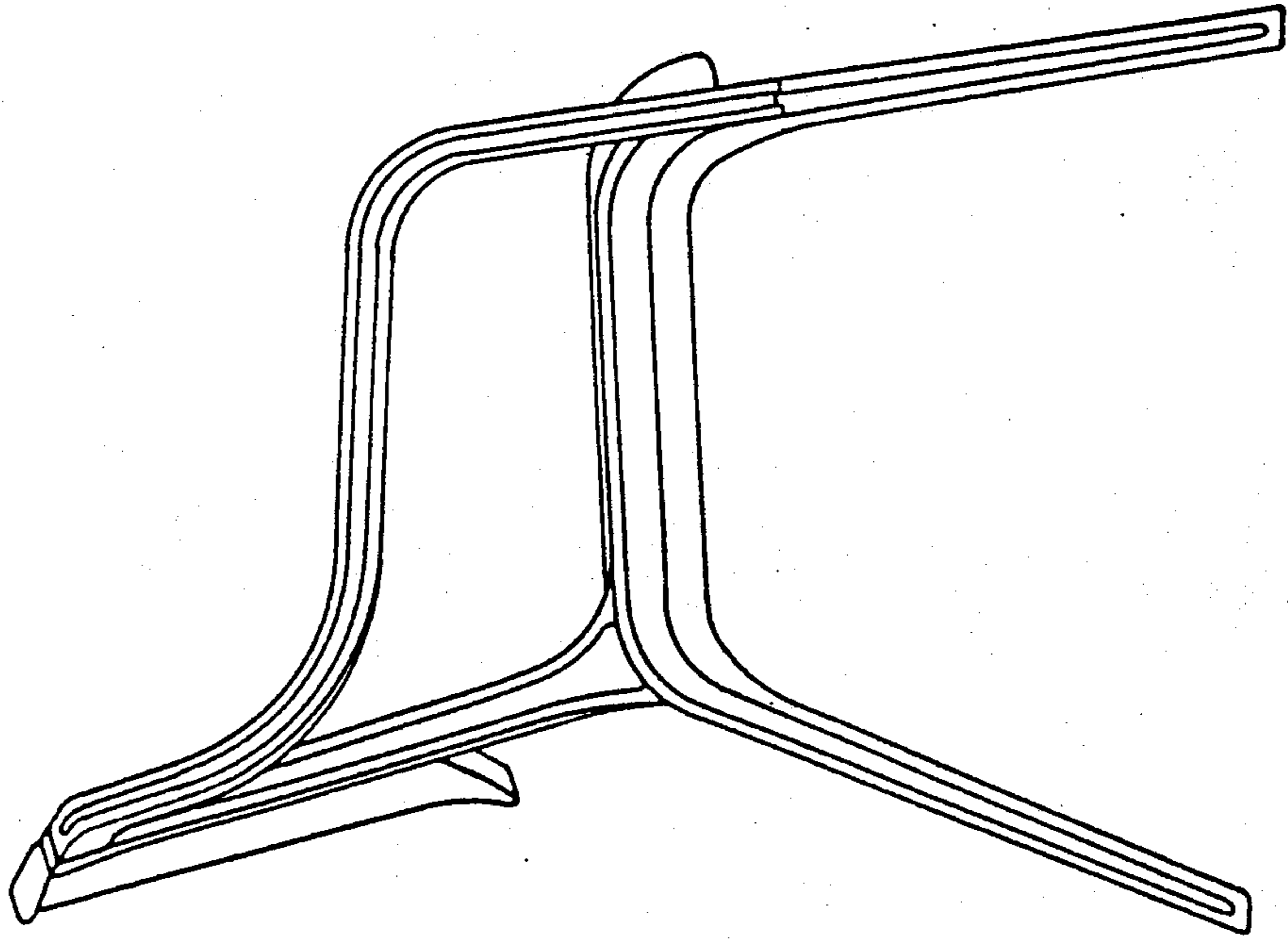


FIG. 7.

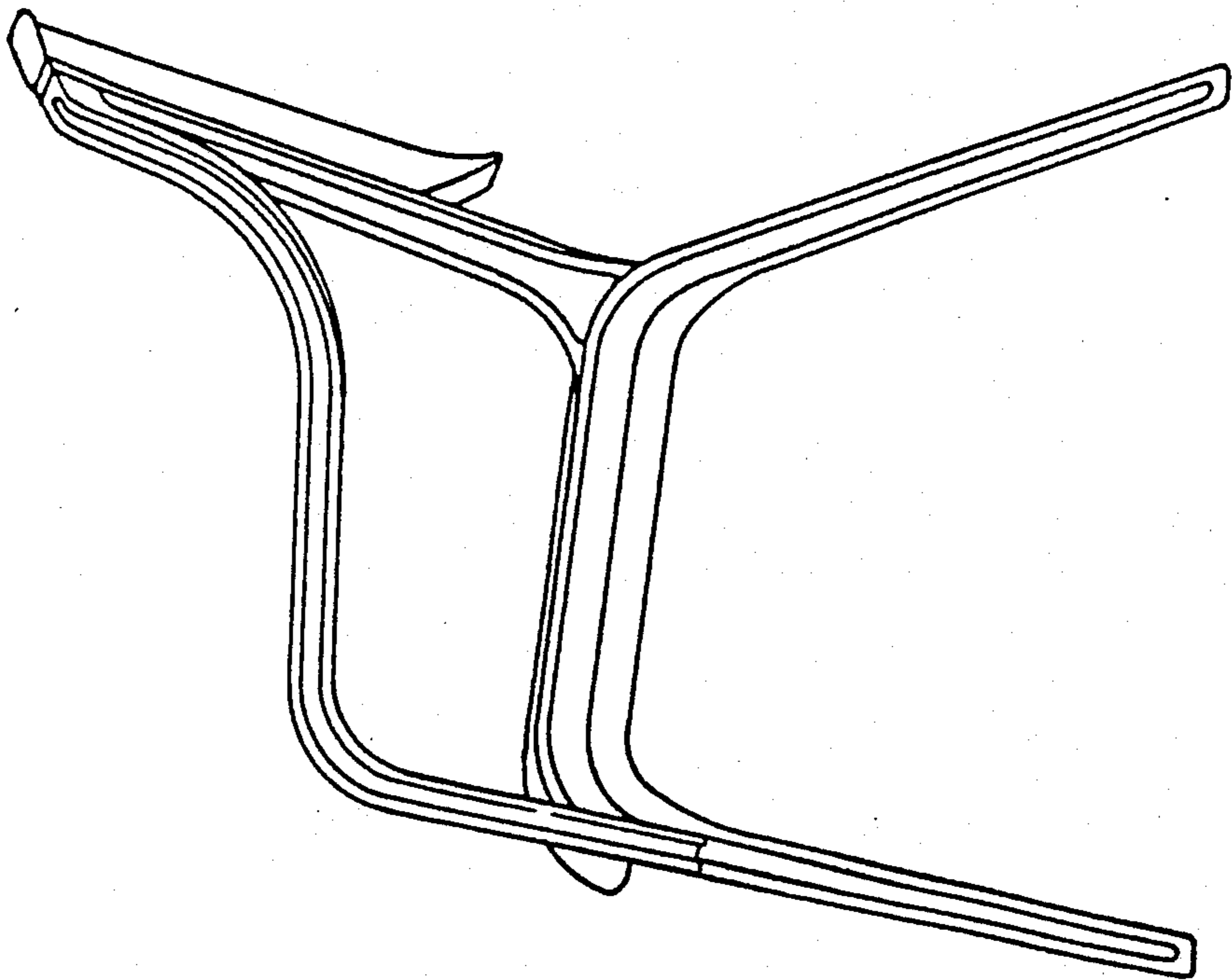


FIG. 6.

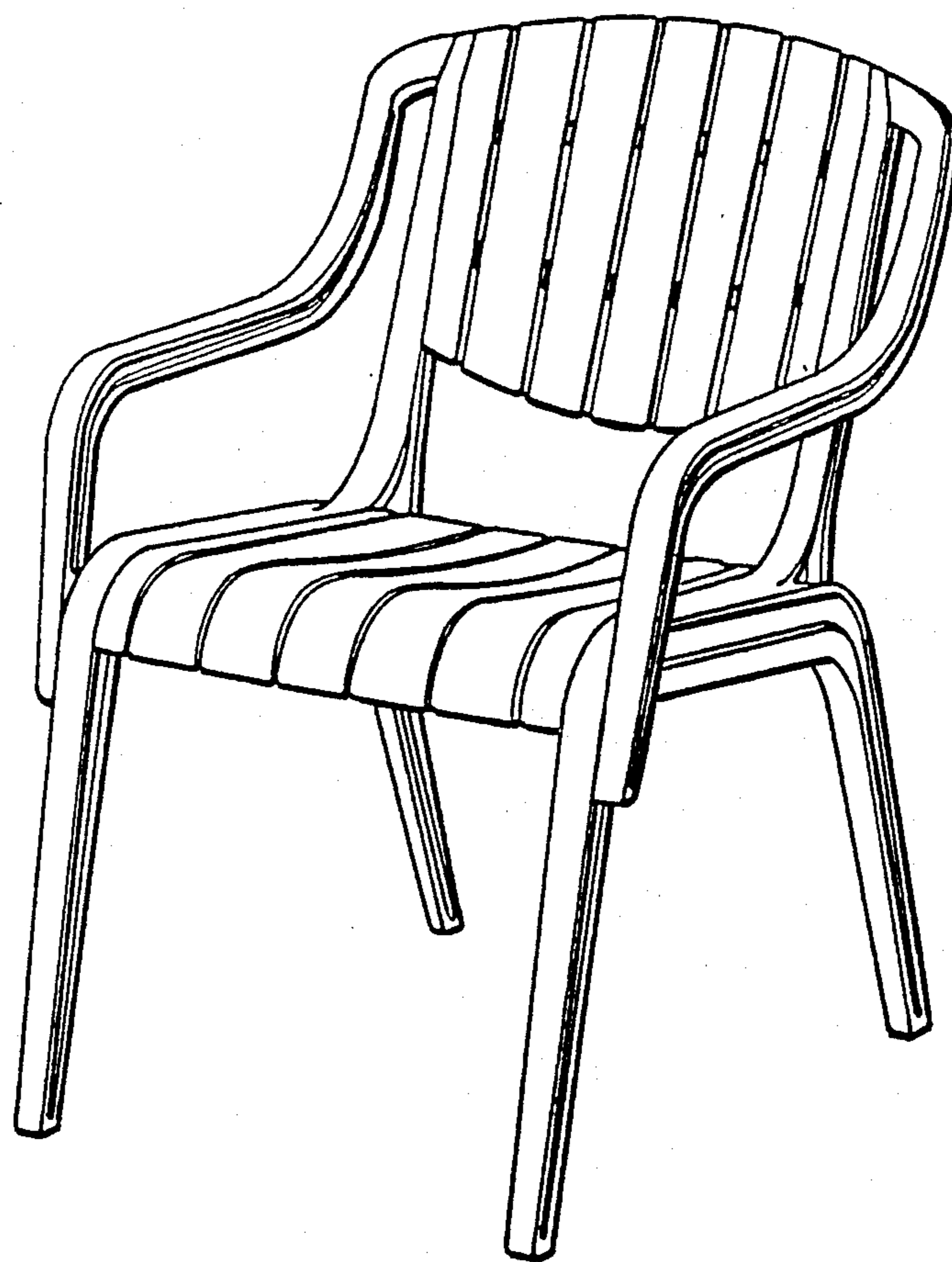


FIG. 8.

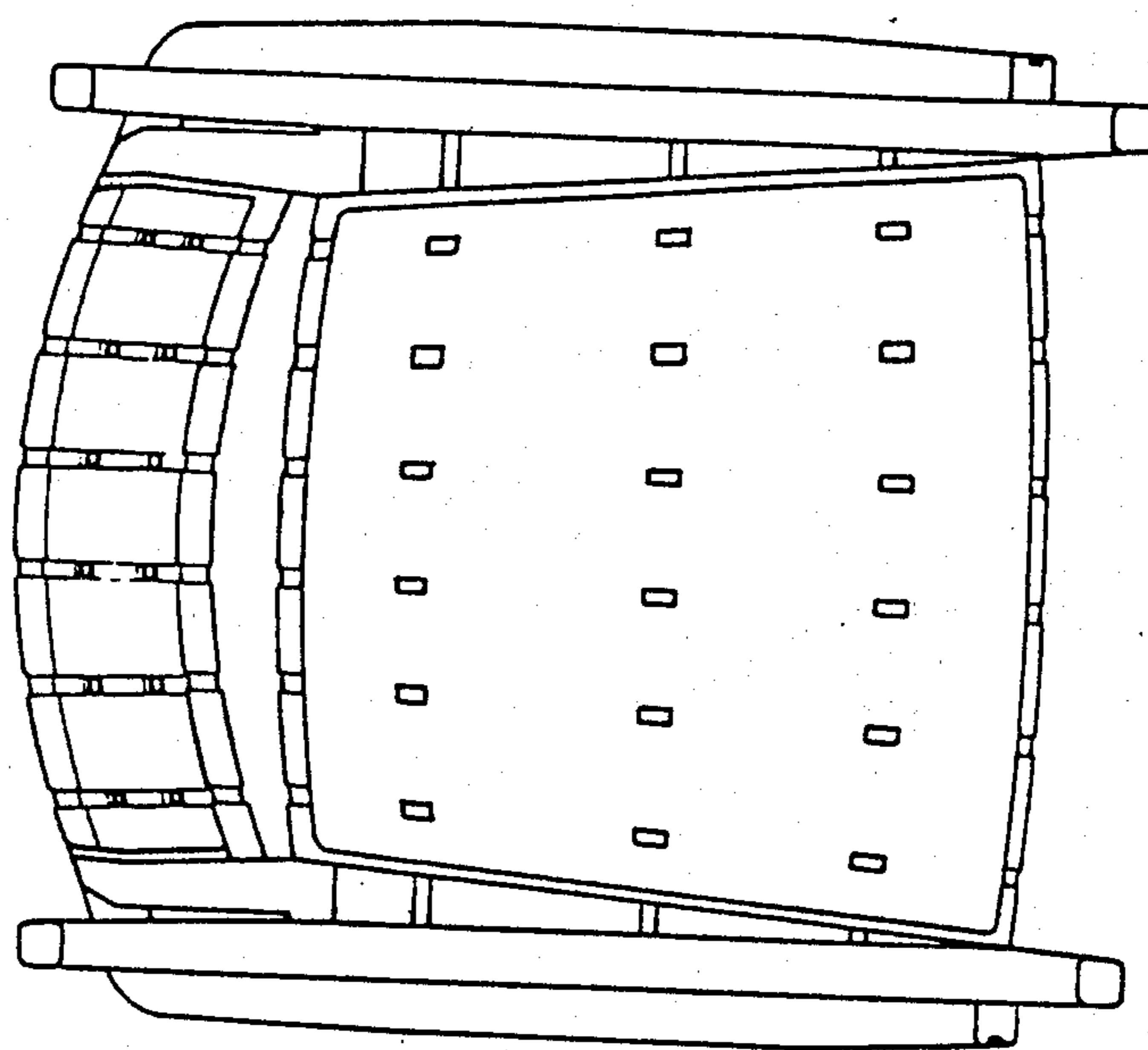


FIG. 9.

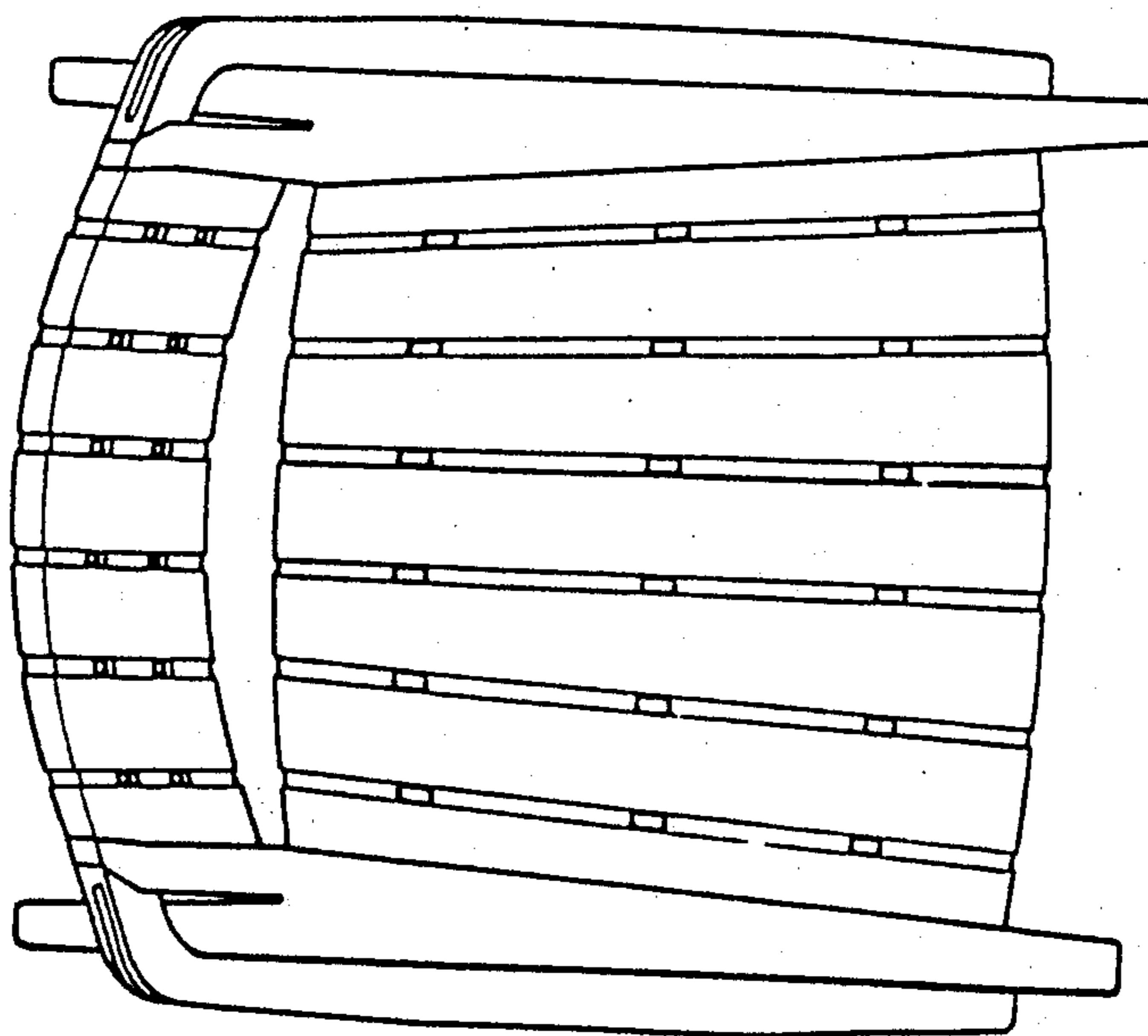


FIG. 10.

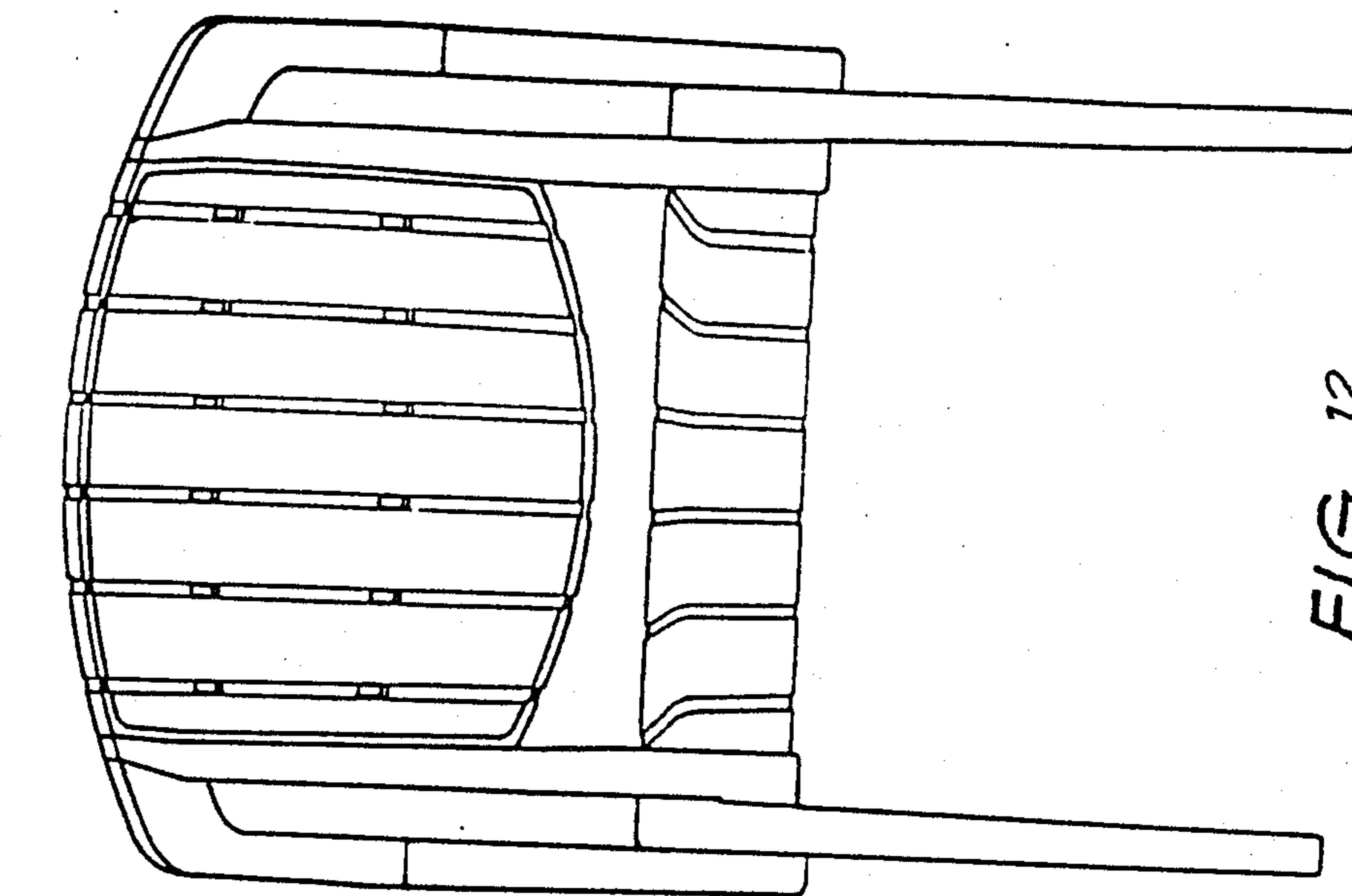


FIG. 11.

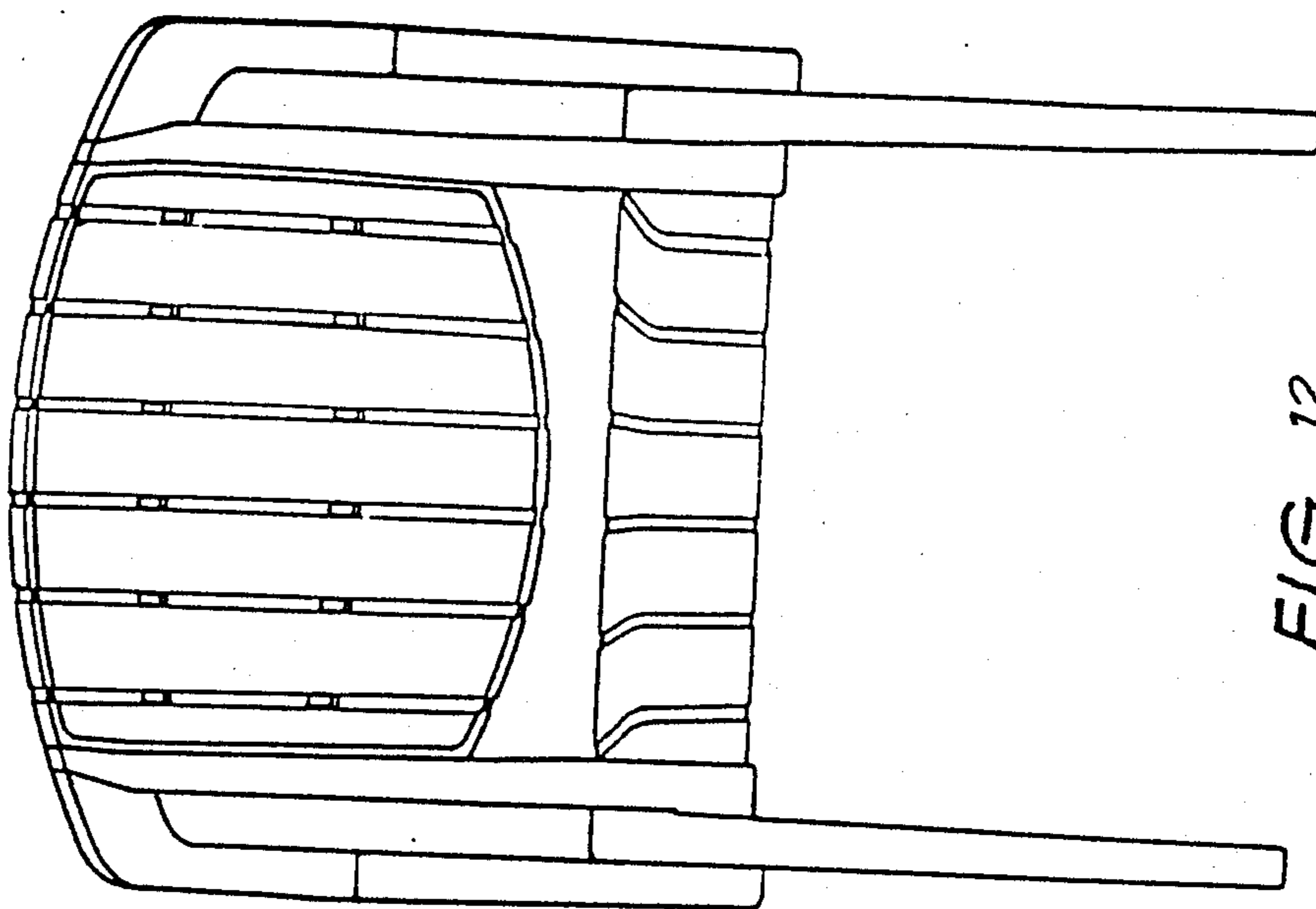


FIG. 12.

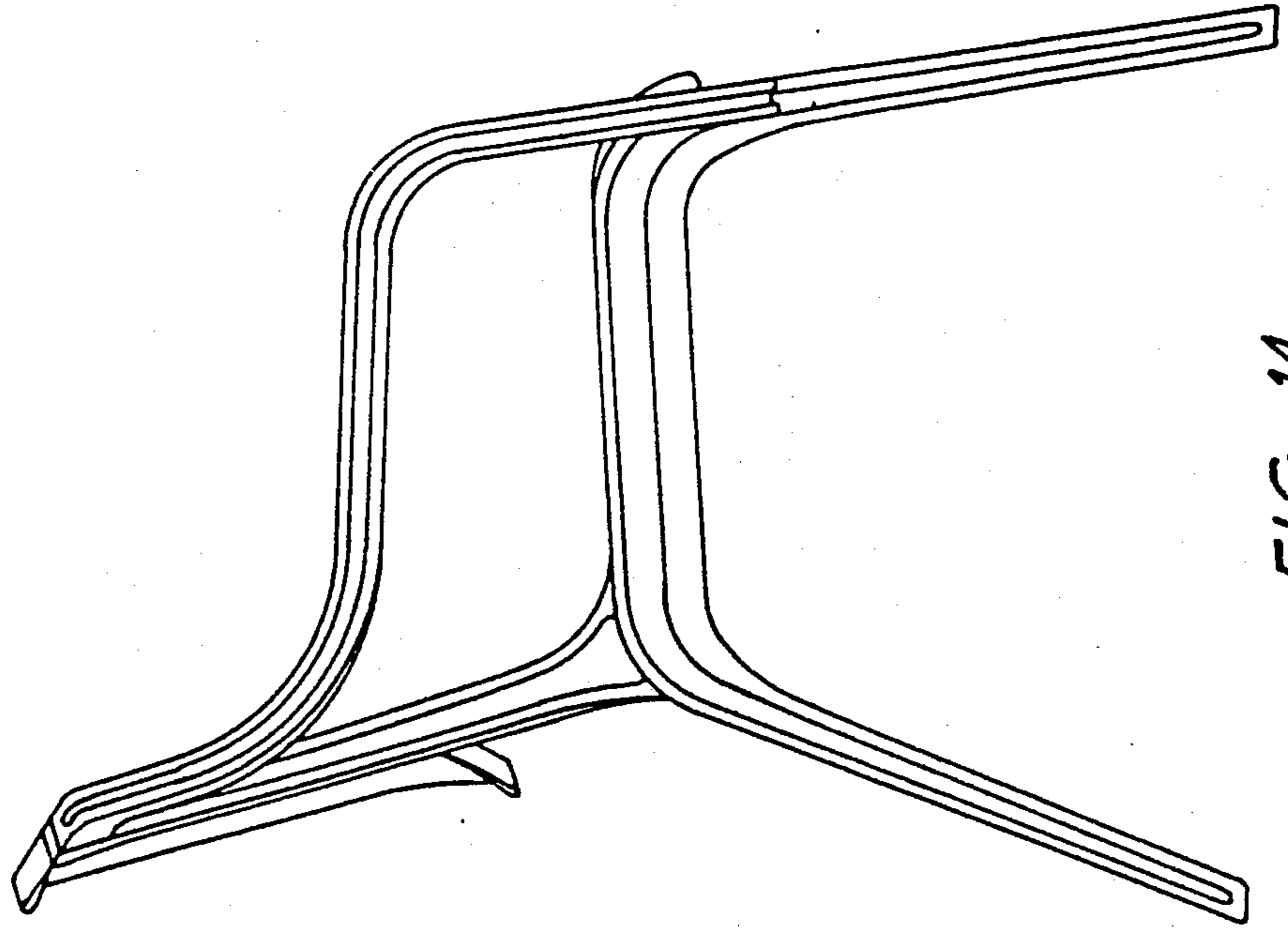


FIG. 14.

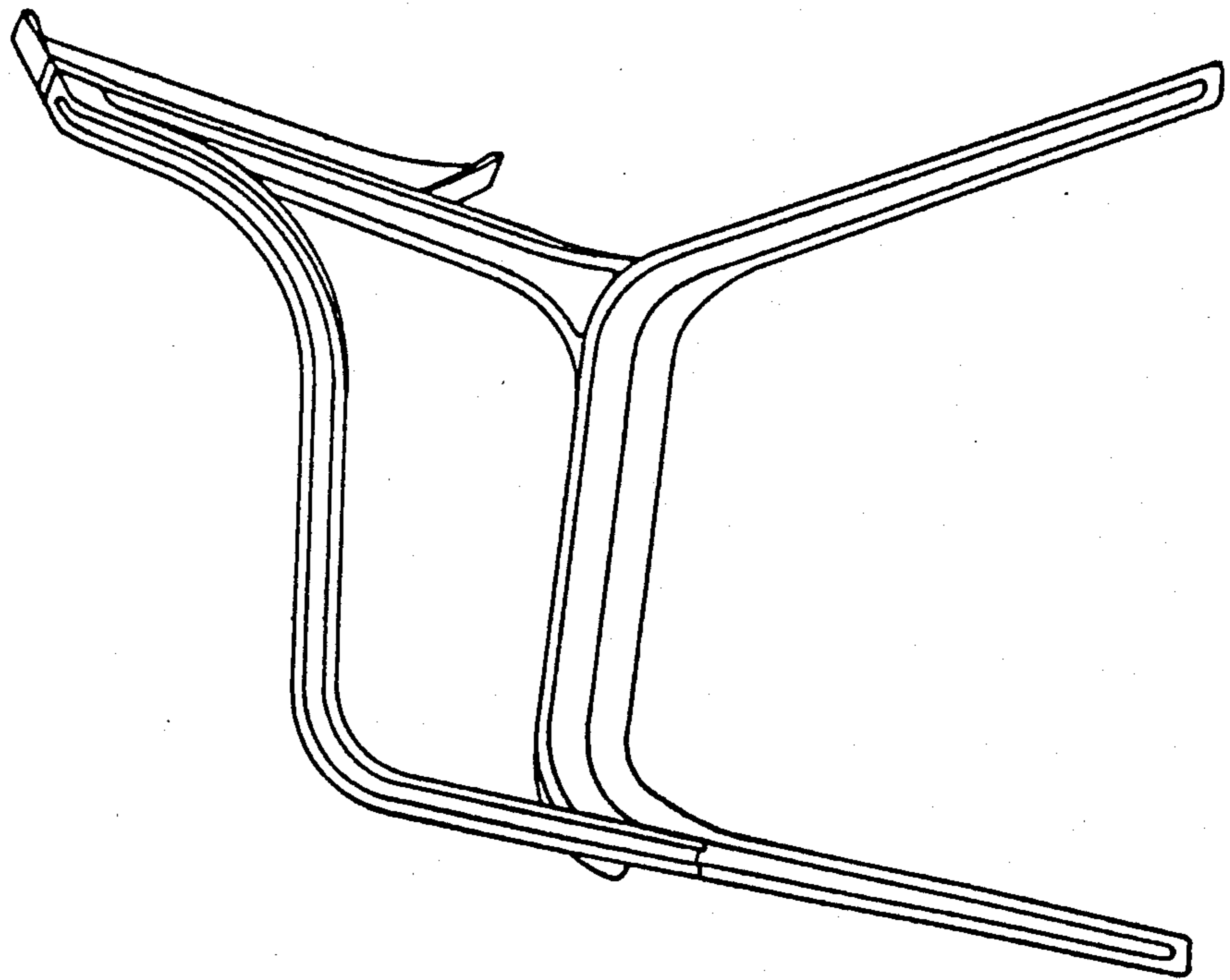


FIG. 13.