

United States Patent [19]

Azuelos

[11] Patent Number: **Des. 313,508**

[45] Date of Patent: **** Jan. 8, 1991**

[54] **CASE FOR A RADIO OR THE LIKE**

[75] Inventor: **Pierre-Yves Azuelos, Paris, France**

[73] Assignee: **PYM, Inc., New York, N.Y.**

[**] Term: **14 Years**

[21] Appl. No.: **158,145**

[22] Filed: **Feb. 19, 1988**

[52] U.S. Cl. **D3/30.1; D7/627;
D14/188**

[58] Field of Search **D14/188-198,
D14/163, 168; 455/344, 345, 350-351; 312/7.1;
D3/30.1, 35, 76; D7/626, 627**

[56] **References Cited**

U.S. PATENT DOCUMENTS

D. 112,729 12/1938 Worthington D7/626

D. 164,289 8/1951 Vry D14/196
D. 249,979 10/1978 Fernandez D3/76
D. 263,015 2/1982 Loncasty D7/626
D. 307,074 4/1990 Dye D3/30.1

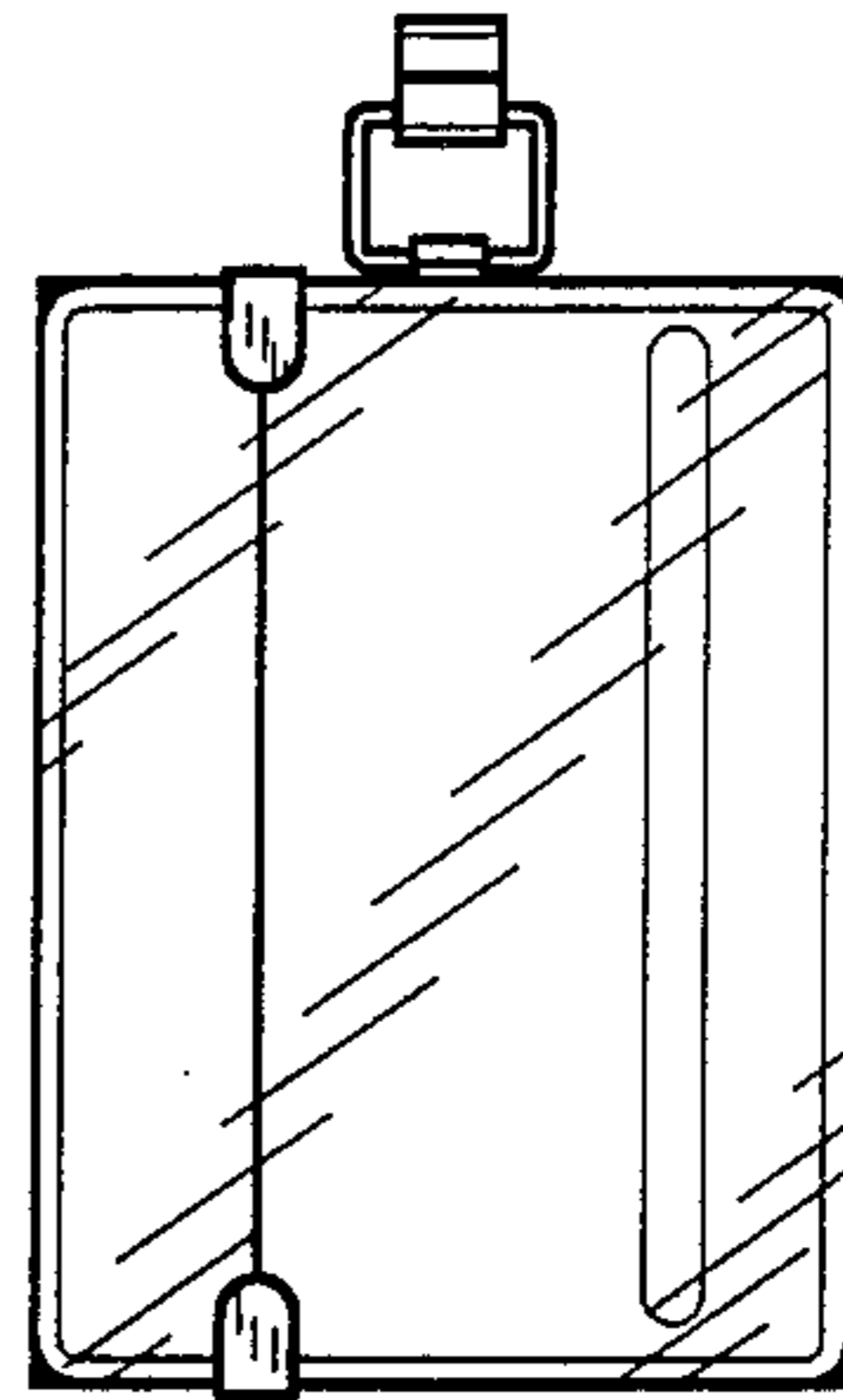
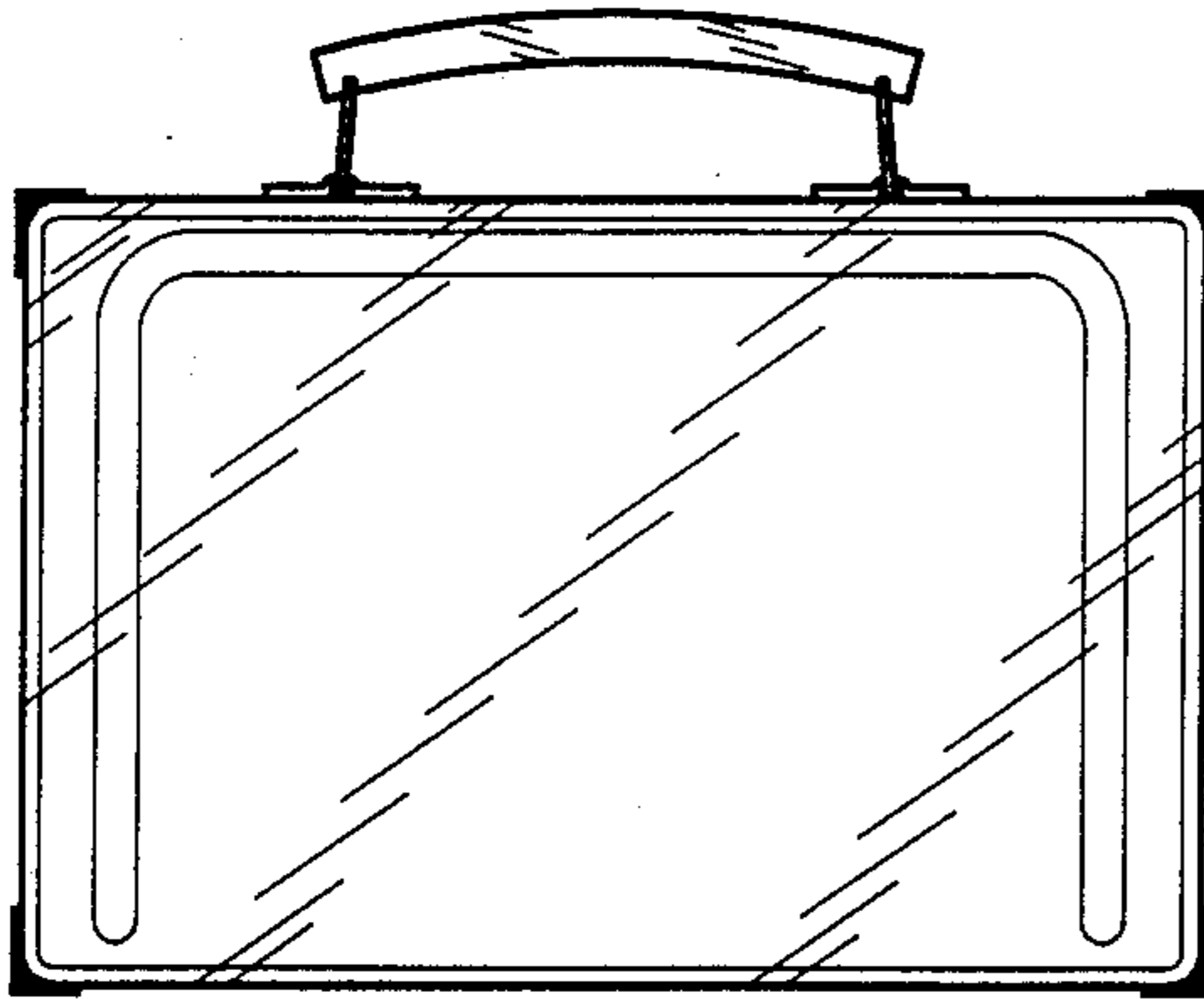
Primary Examiner—Theodore M. Shooman
Attorney, Agent, or Firm—Jones, Day, Reavis & Pogue

[57] CLAIM

The ornamental design for a case for a radio or the like, as shown and described.

DESCRIPTION

FIG. 1 is a front elevational view of a case for a radio or the like showing my new design;
FIG. 2 is a top plan view thereof;
FIG. 3 is a rear elevational view thereof;
FIG. 4 is a right side elevational view thereof, the left side being a mirror image; and
FIG. 5 is a bottom plan view thereof.



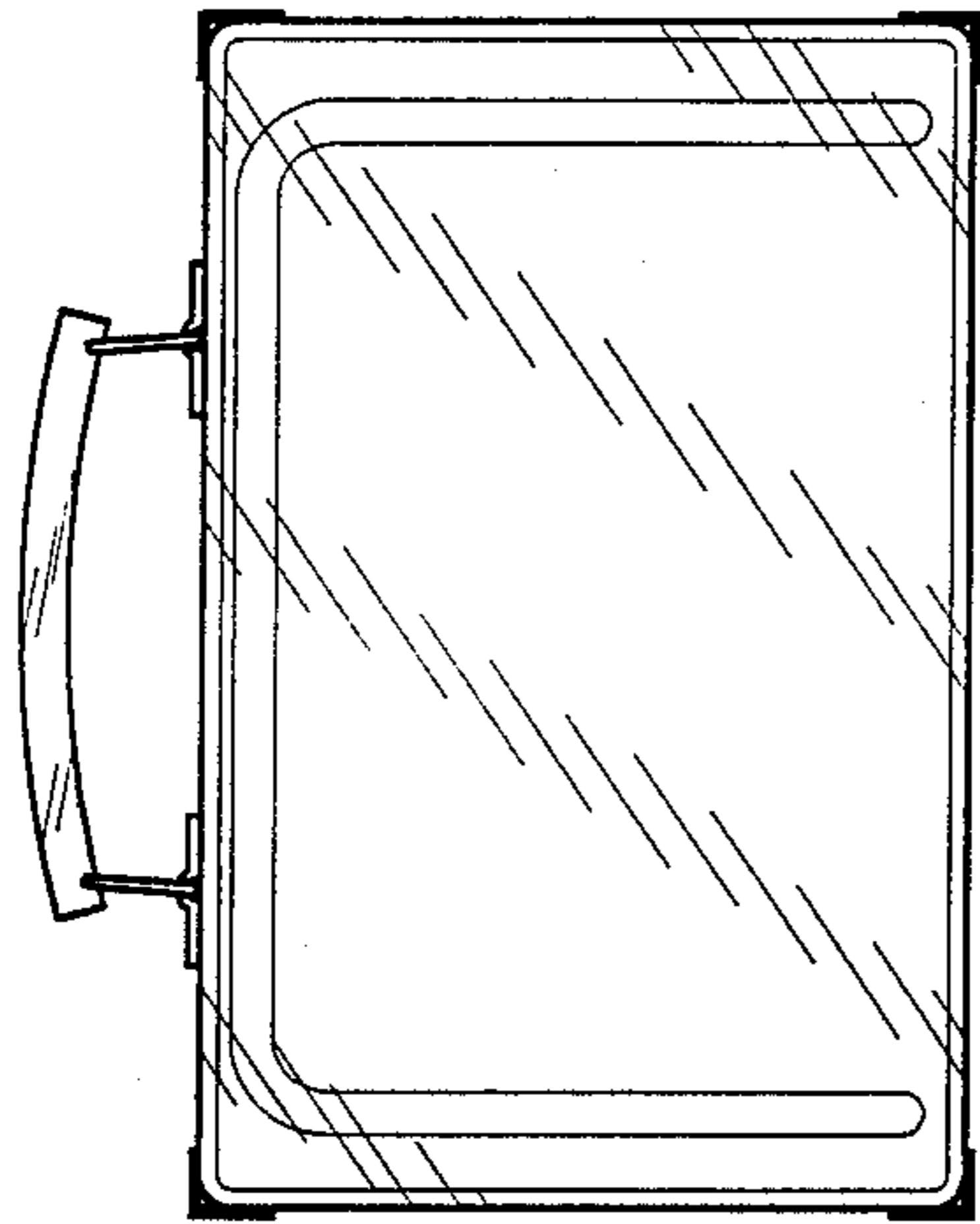


FIG.3

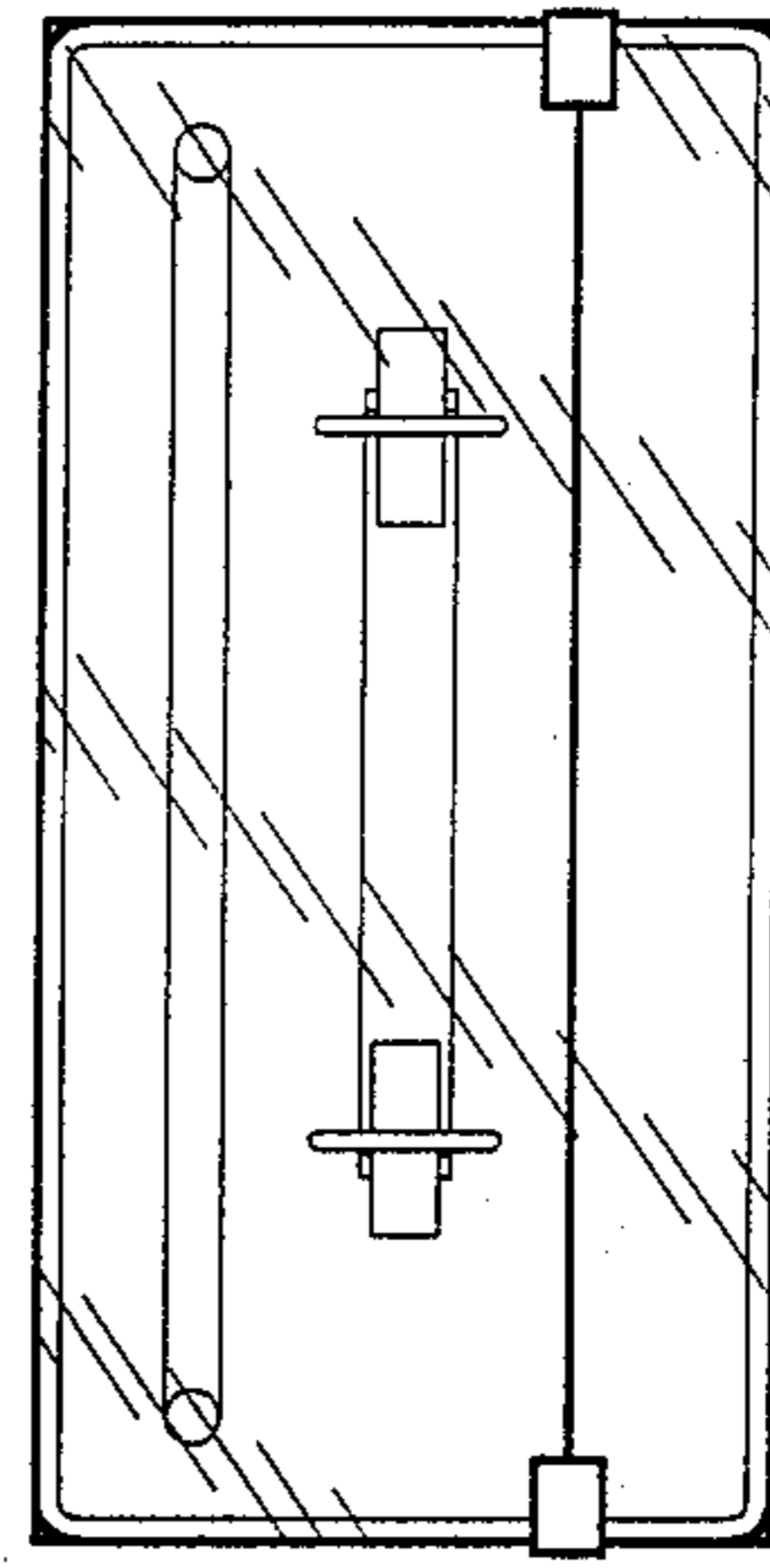


FIG.5

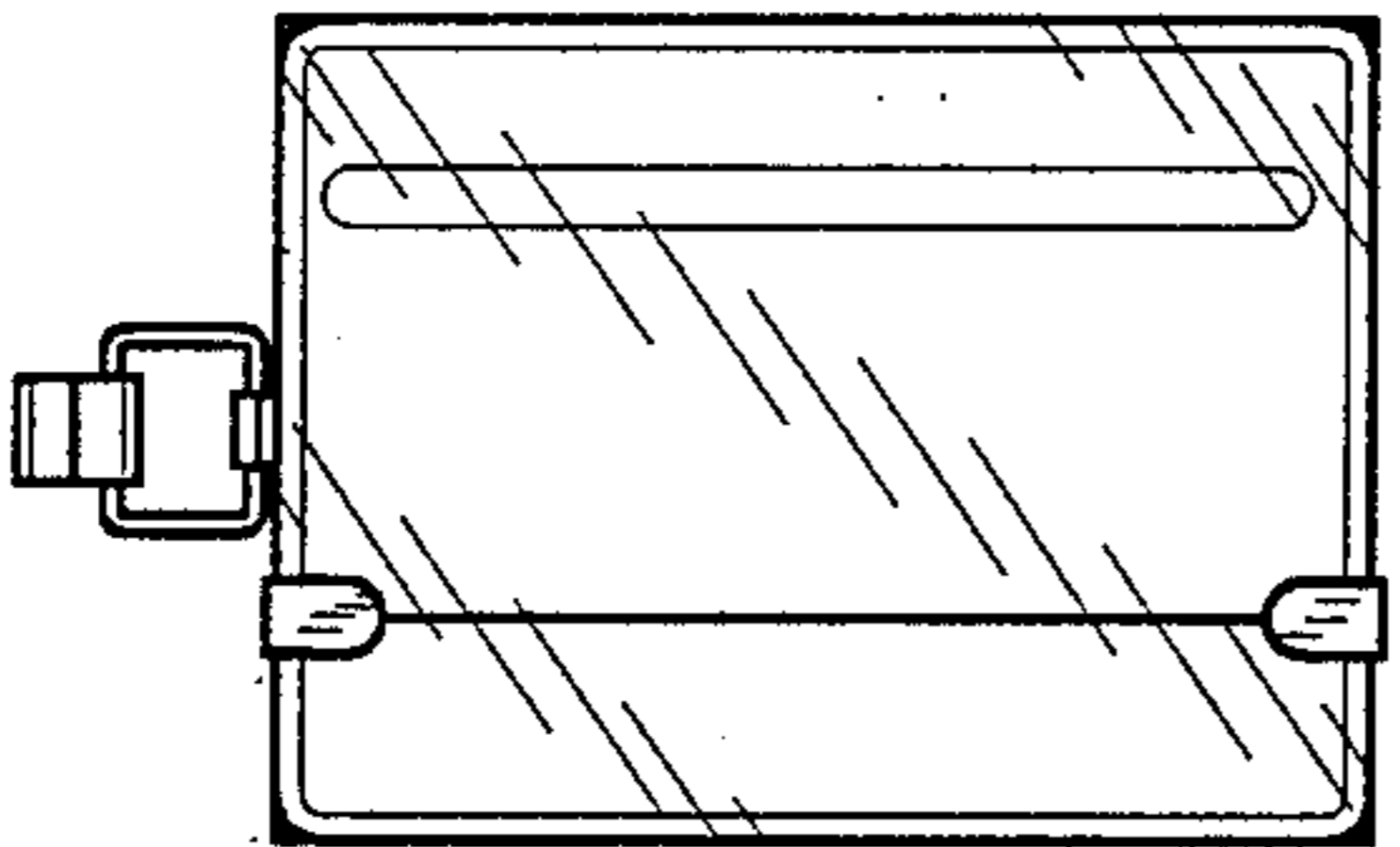


FIG.4

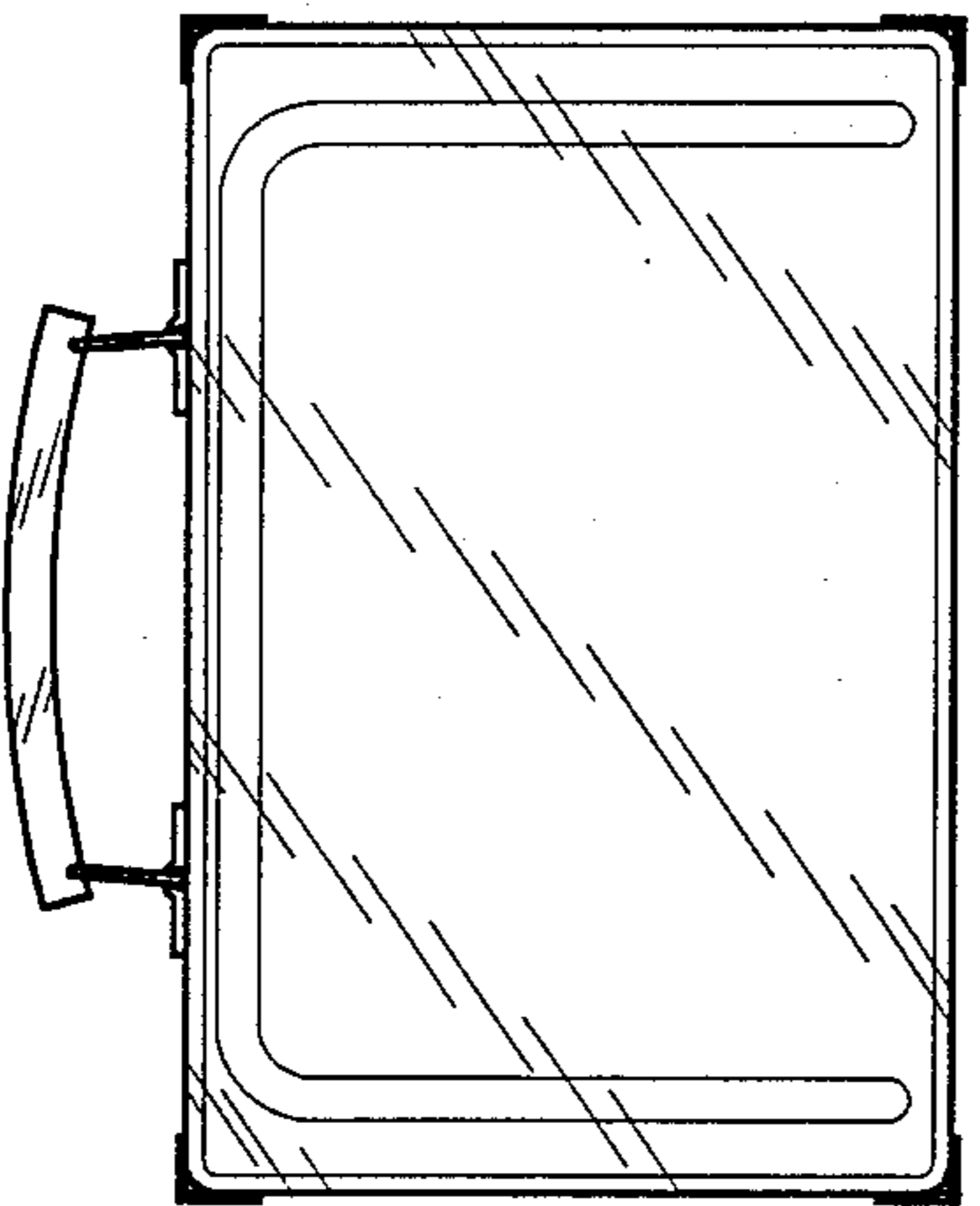


FIG.1

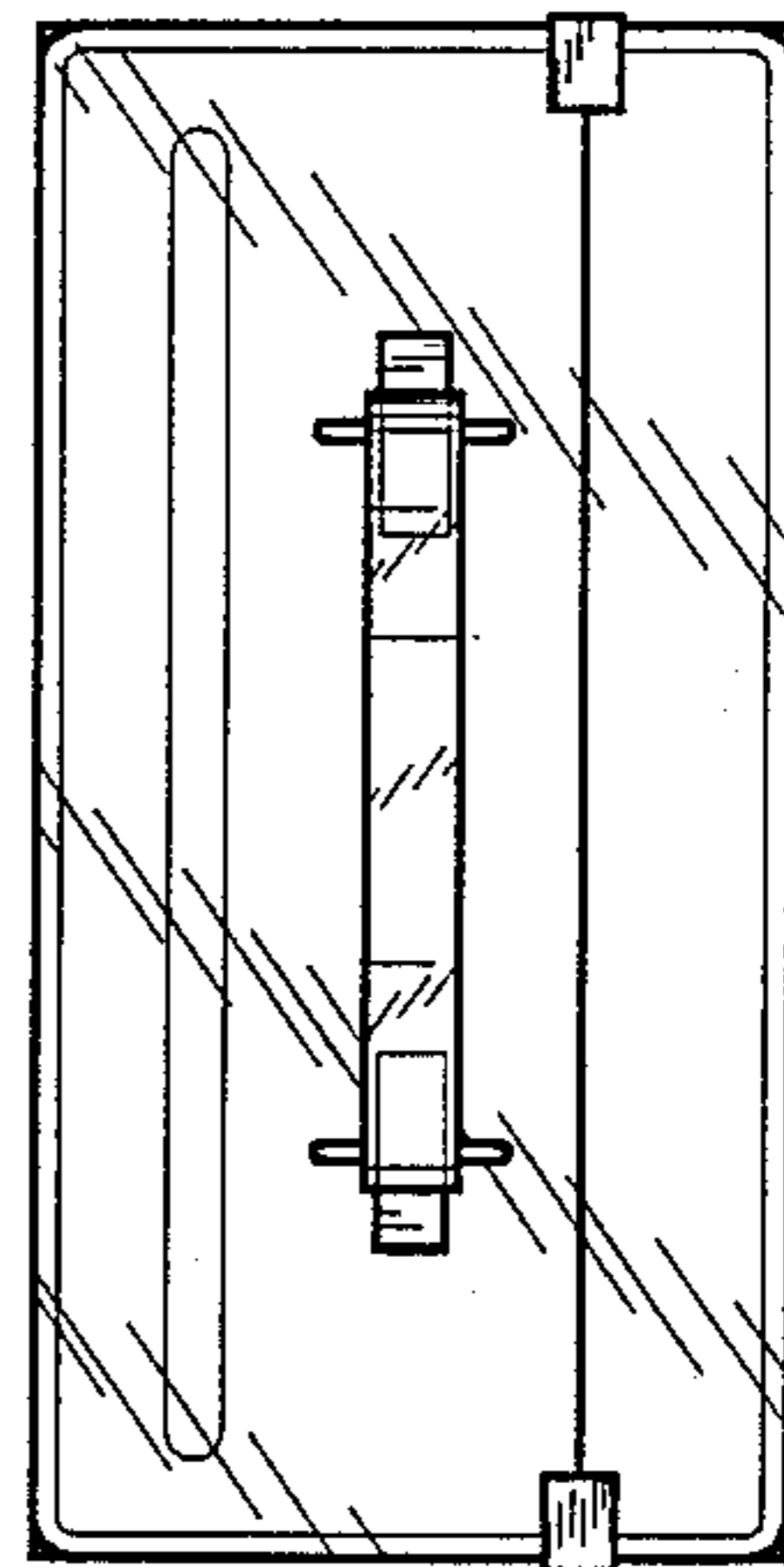


FIG.2