

[54] **TROWEL HOLDER FOR ATTACHMENT TO BELT**

[76] **Inventor: Harvey E. Sawyer, 10157 Valley Home, Whittier, Calif. 90603**

[**] **Term: 14 Years**

[21] **Appl. No.: 20,649**

[22] **Filed: Mar. 2, 1987**

[52] **U.S. Cl. D3/105; D3/100**

[58] **Field of Search D3/105, 106; 224/242, 224/197, 253, 233, 904**

[56] **References Cited**

U.S. PATENT DOCUMENTS

2,236,382	3/1941	Roberge	224/242 X
2,399,522	4/1946	Tyson	224/197
2,424,302	7/1947	Brickey	D3/106 X
2,592,438	4/1952	Lawrenz	43/57.1 X
2,731,179	1/1956	Bennett et al.	224/253
2,903,171	9/1959	Rutledge, Jr.	224/197 X

3,668,802 6/1972 Benward 43/57.1

Primary Examiner—A. Hugo Word
Assistant Examiner—Doris V. Coles
Attorney, Agent, or Firm—Edgar W. Averill, Jr.

[57] **CLAIM**

The ornamental design for a trowel holder for attachment to belt, as shown.

DESCRIPTION

FIG. 1 is a perspective view front view of the trowel holder showing my new design.

FIG. 2 is a front view thereof;

FIG. 3 is a right side view thereof;

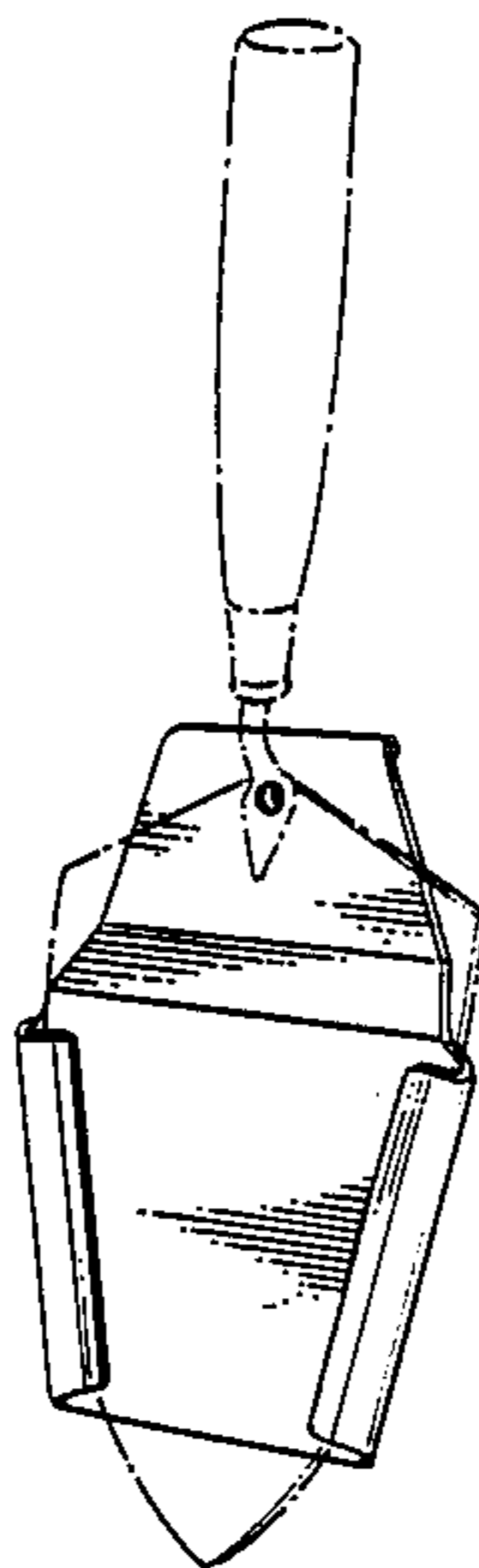
FIG. 4 is a left side view thereof;

FIG. 5 is a rear view thereof;

FIG. 6 is a top plan view thereof; and

FIG. 7 is a bottom plan view thereof.

The broken line showing of a trowel in FIG. 1 is for illustrative purposes only and forms no part of the claimed design.



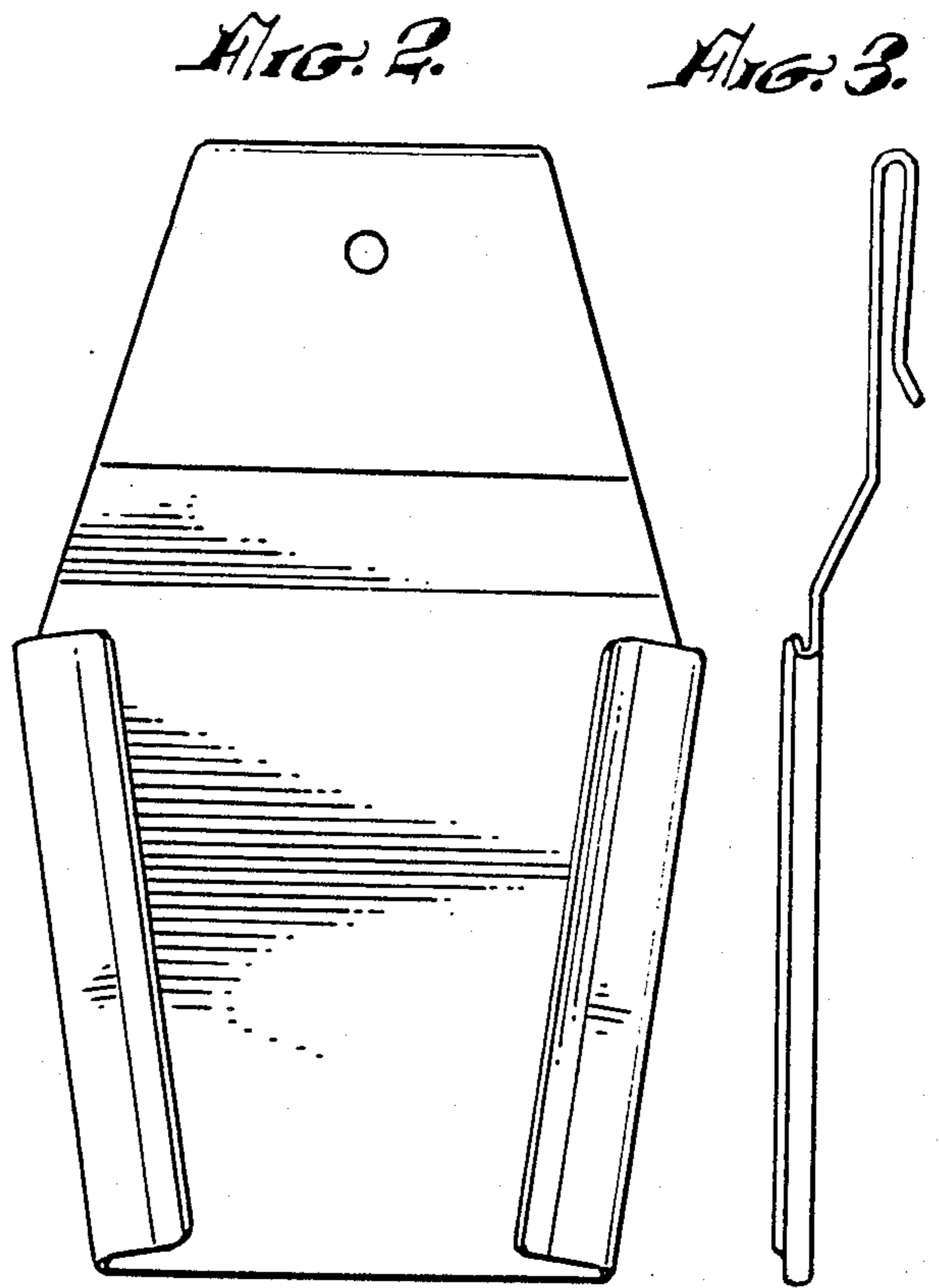
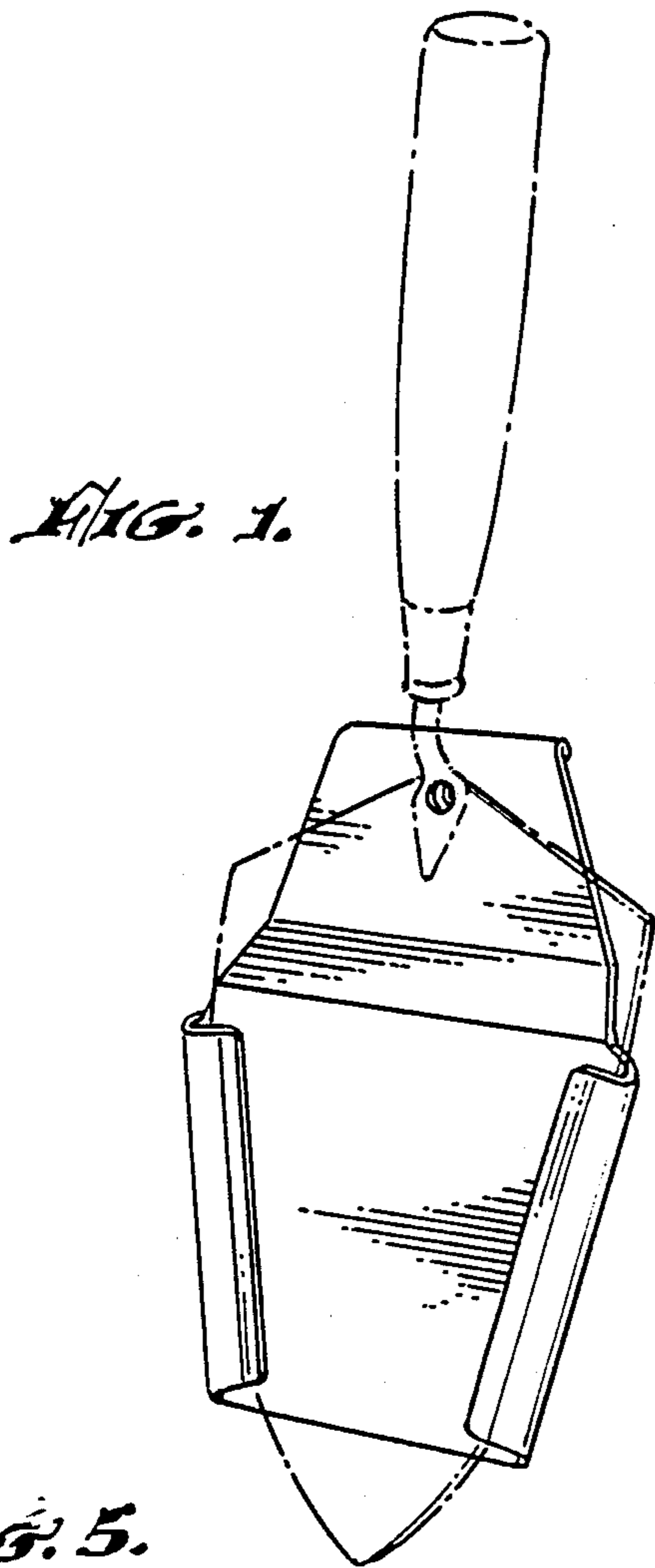


FIG. 5.

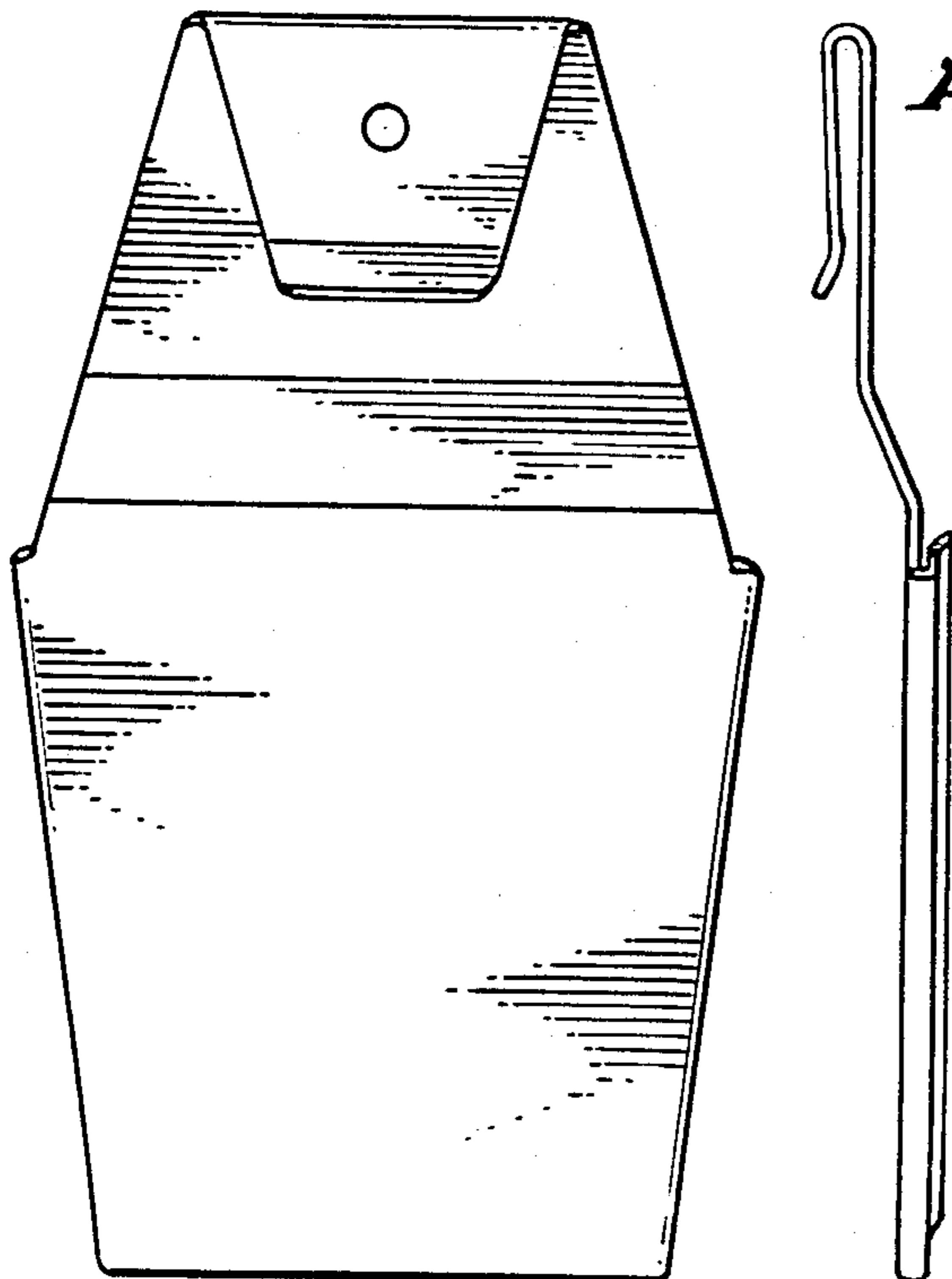


FIG. 4.



FIG. 6.

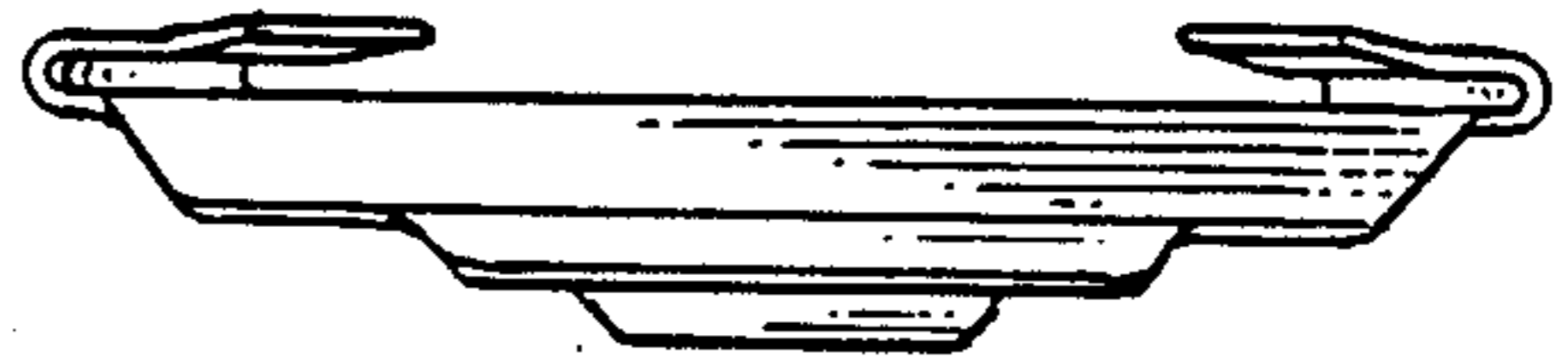


FIG. 7.

