

[54] SUITCASE

[75] Inventor: Eve Bjorg, Liechtenstein, Sweden

[73] Assignee: Bjorg Line Establishment, Liechtenstein

[\*\*] Term: 14 Years

[21] Appl. No.: 182,073

[22] Filed: Apr. 14, 1988

[30] Foreign Application Priority Data

Oct. 16, 1987 [WO] World Int. Prop. O. ... DM/009 489

[52] U.S. Cl. .... D3/76

[58] Field of Search ..... D3/76, 77, 78, 30.1, D3/74, 39; 190/100, 109, 111, 115, 119; 224/205

[56] References Cited

U.S. PATENT DOCUMENTS

- D. 215,679 10/1969 Kaplan ..... D3/76
- D. 226,292 2/1973 Bienkowski ..... D3/76
- D. 259,975 7/1981 La Barbera ..... D3/76 X
- D. 286,705 11/1986 Miles ..... D3/76 X
- 4,928,800 5/1990 Green et al. .... 190/115

Primary Examiner—Louis S. Zarfes

Assistant Examiner—M. N. Pandozzi  
Attorney, Agent, or Firm—Tarolli, Sundheim & Covell

[57] CLAIM

The ornamental design for a suitcase, as shown and described.

DESCRIPTION

FIG. 1 is a perspective view of a suitcase, showing my new design;

FIG. 2 is a front elevational view of the suitcase of FIG. 1;

FIG. 3 is a left side elevational view of the suitcase of FIG. 1;

FIG. 4 is a rear elevational view of the suitcase of FIG. 1;

FIG. 5 is a right side elevational view of the suitcase of FIG. 1;

FIG. 6 is a top plan view of the suitcase of FIG. 1, showing the handle folded down and the carrying strap lifted partially upwards;

FIG. 7 is a bottom plan view of the suitcase of FIG. 1; and

FIG. 8 is a perspective view of the suitcase of FIG. 1 shown in an open position with the carrying strap partially unfolded.



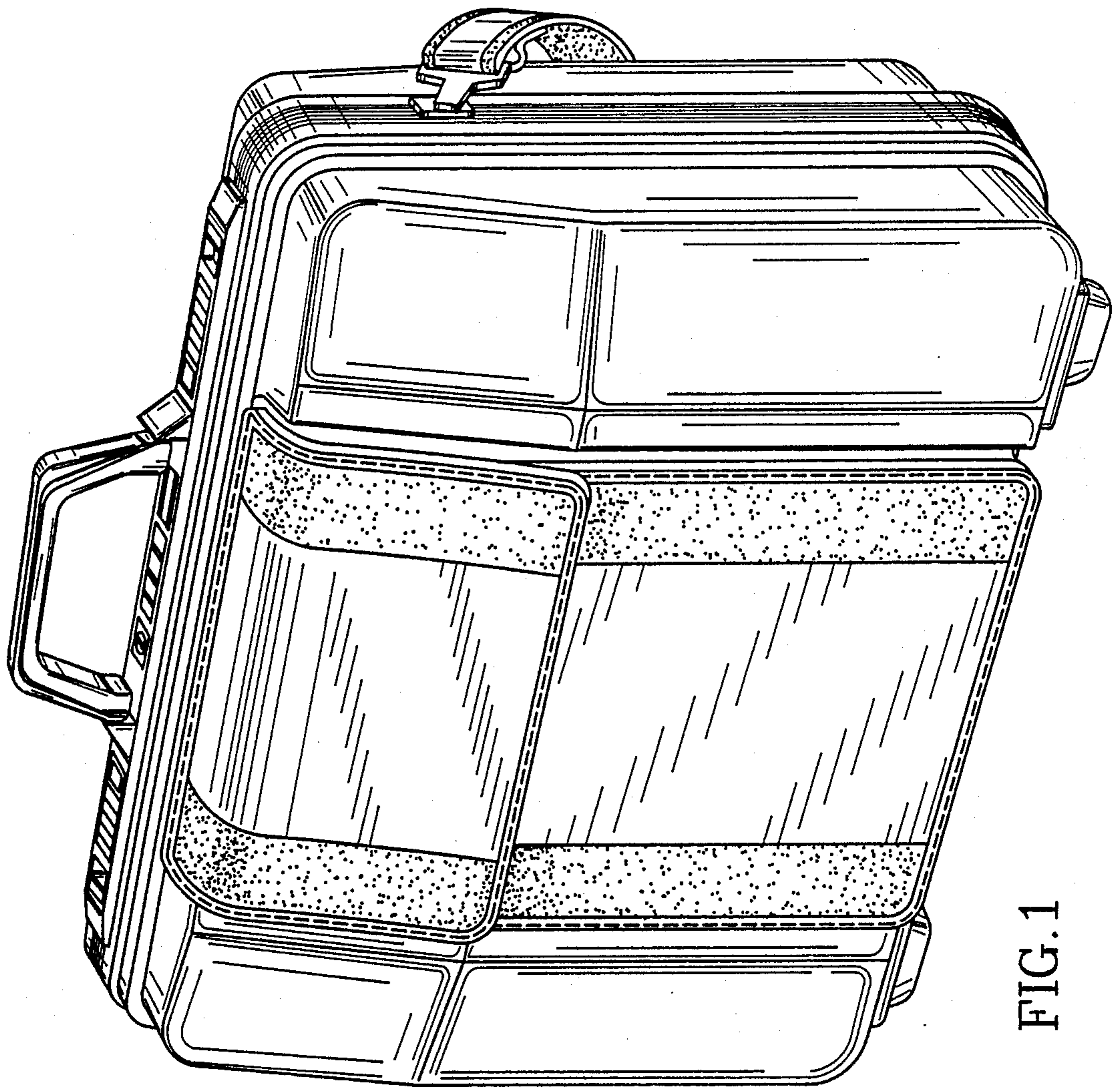


FIG. 1

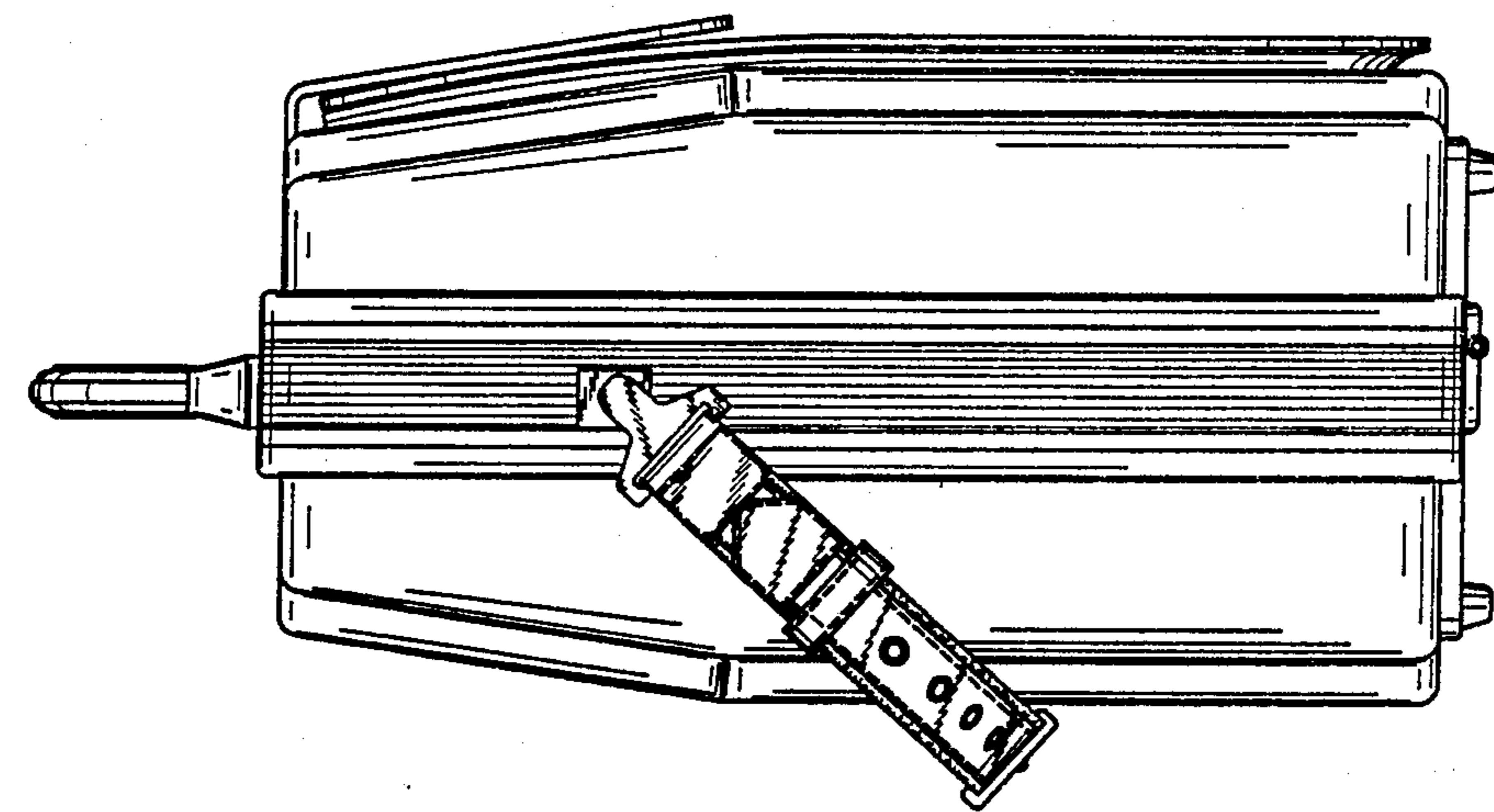


FIG. 3

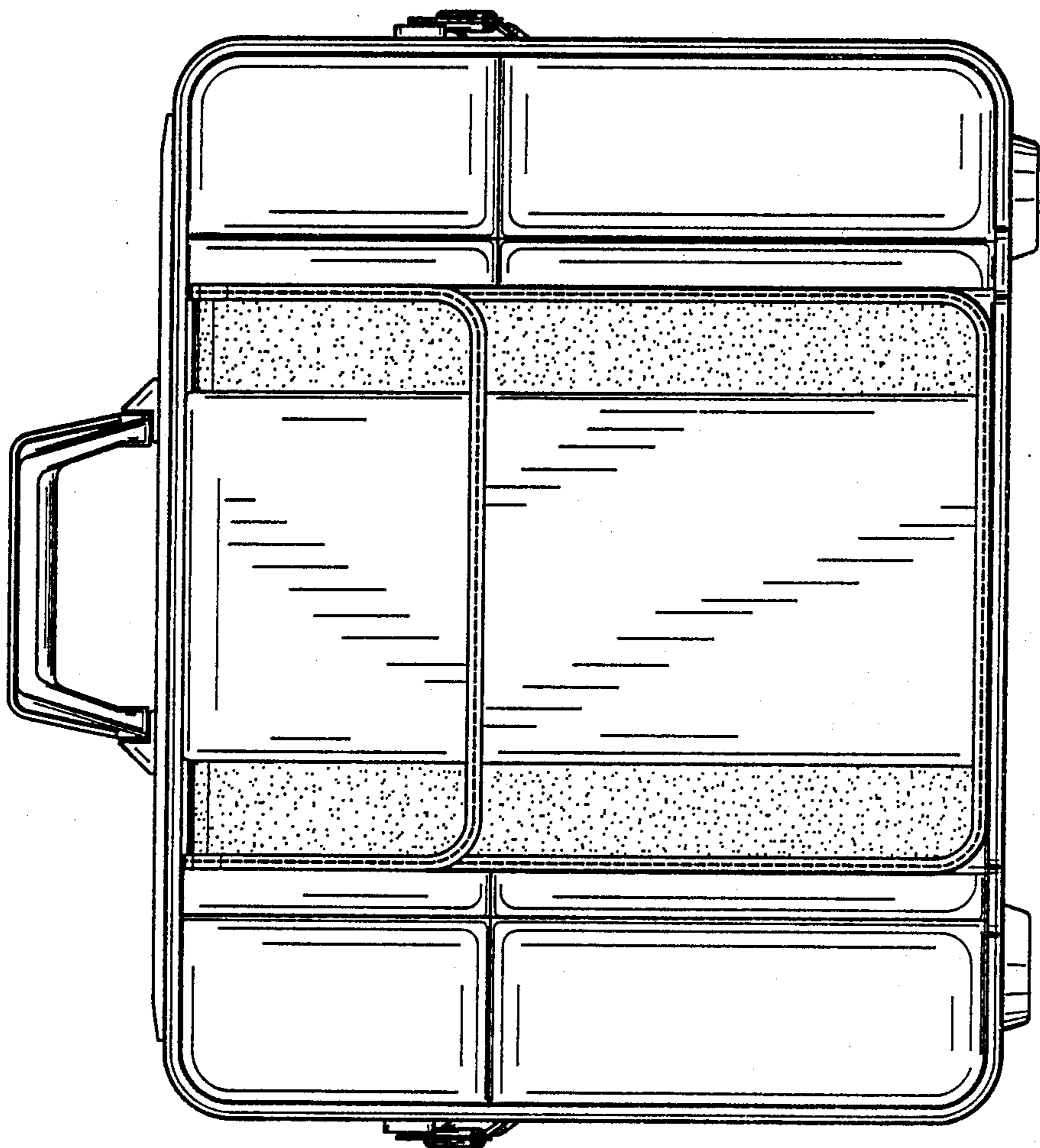


FIG. 2

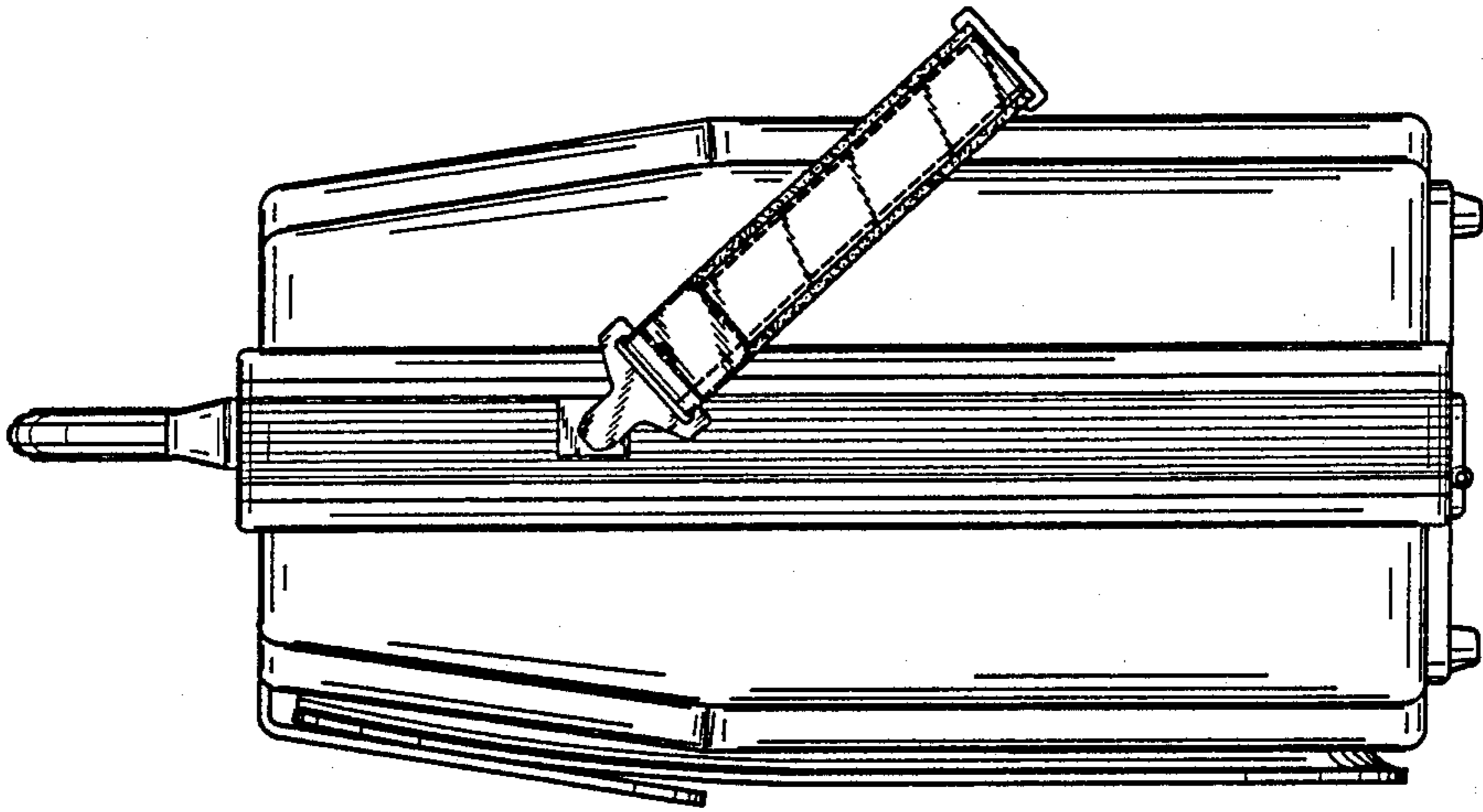


FIG. 5

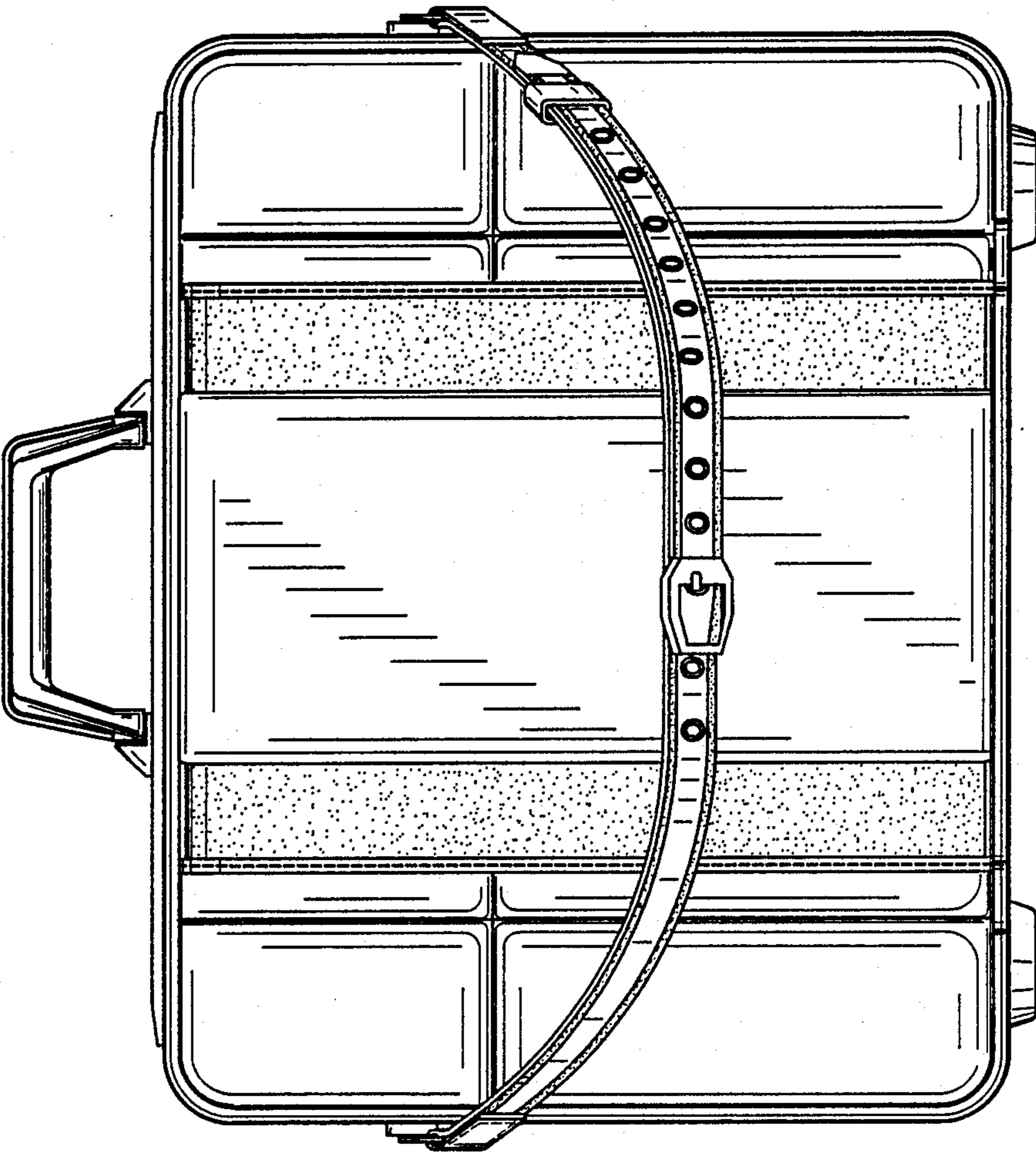


FIG. 4

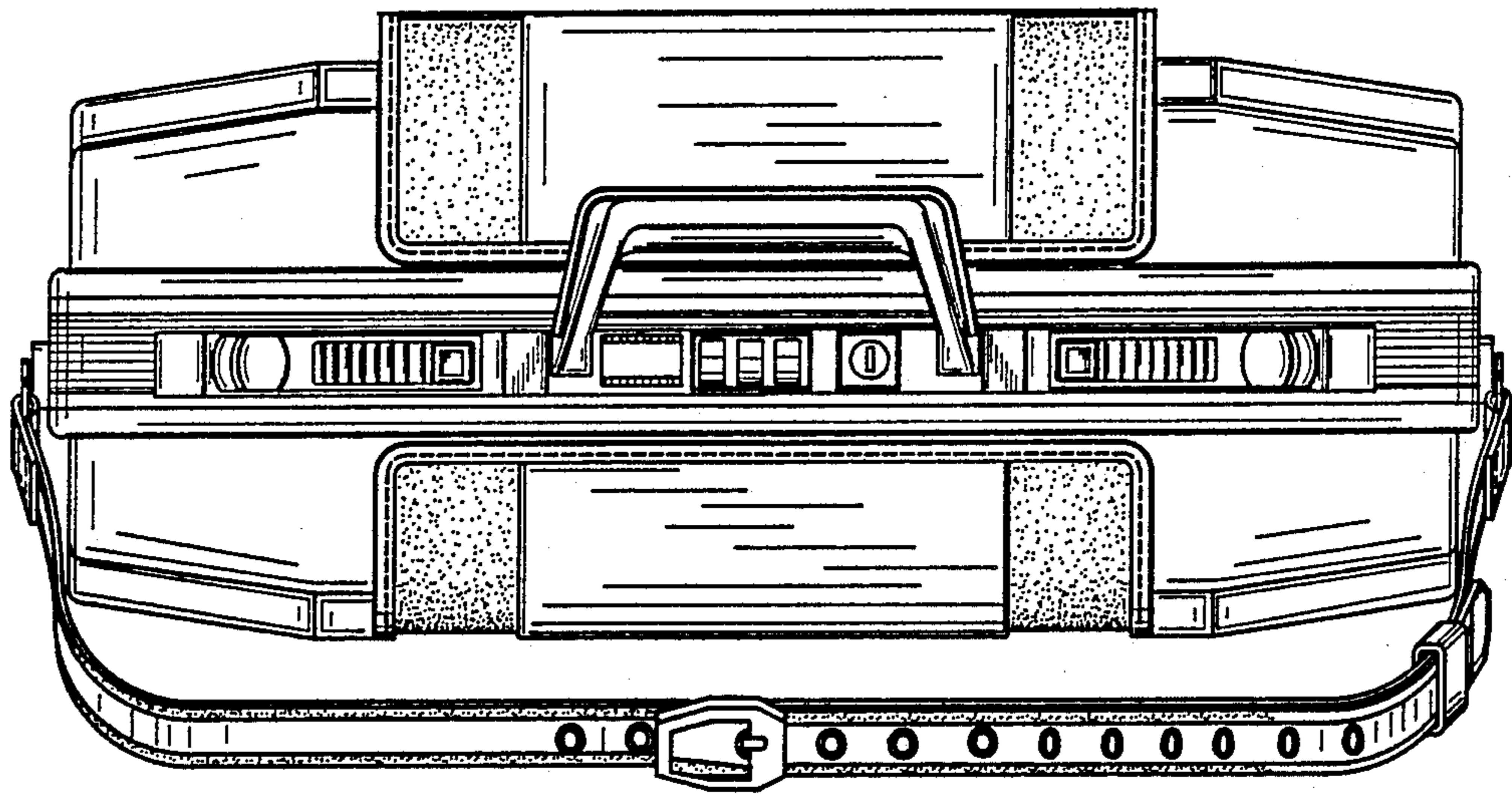


FIG. 6

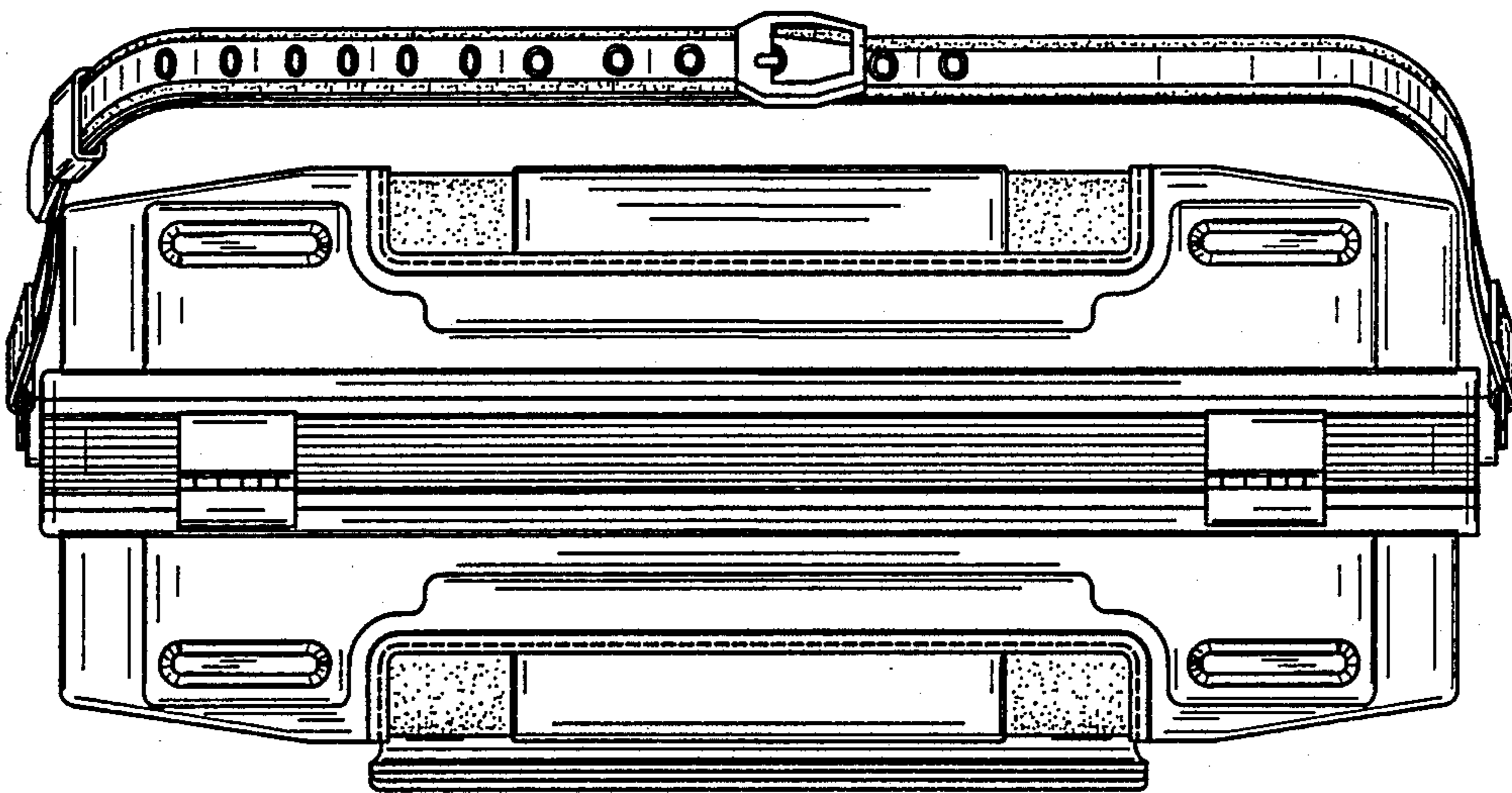


FIG. 7

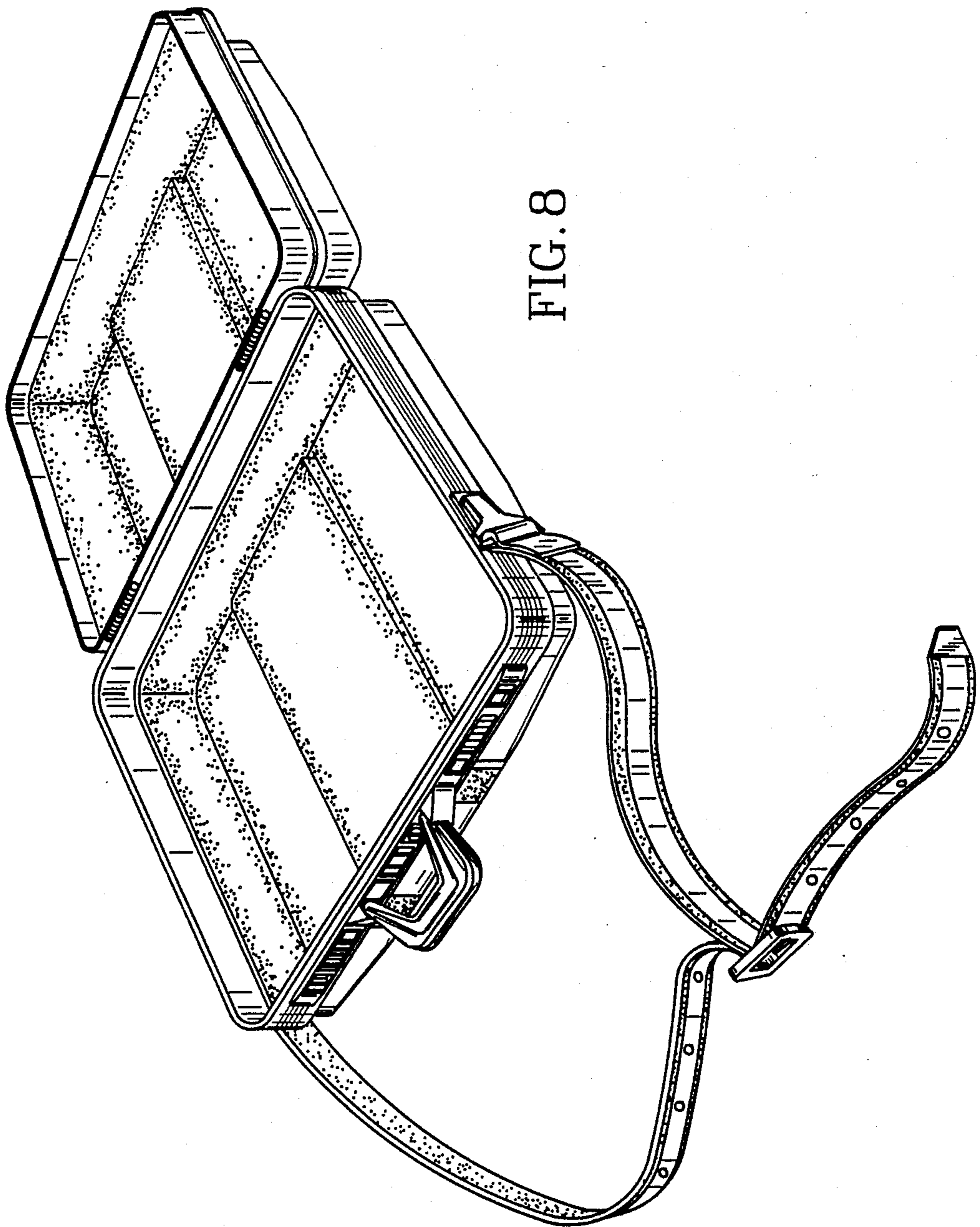


FIG. 8