

[54] BOX FOR STORING INSULIN AND INSULIN-ADJUNCTS

[75] Inventors: Norbert Leopoldi, Chicago; William Heinrich, McHenry, both of Ill.

[73] Assignee: The Cloverline, Inc., Chicago, Ill.

[**] Term: 14 Years

[21] Appl. No.: 203,863

[22] Filed: Jun. 8, 1988

[52] U.S. Cl. D3/74

[58] Field of Search D3/74, 71, 76, 73, 72; 190/100, 109, 110, 112, 16, 900, 901, 111; 206/387, 363, 828, 364, 571, 570, 438, 315.1

[56] References Cited

U.S. PATENT DOCUMENTS

- D. 257,800 1/1981 Pedersen D3/78 X
- D. 263,987 4/1982 Milliman D3/100
- 4,657,138 4/1987 Watson 206/571 X
- 4,767,008 8/1988 Warnecke et al. 206/570

FOREIGN PATENT DOCUMENTS

- 0048687 3/1982 European Pat. Off. 206/570
- 0599804 3/1978 U.S.S.R. 206/570

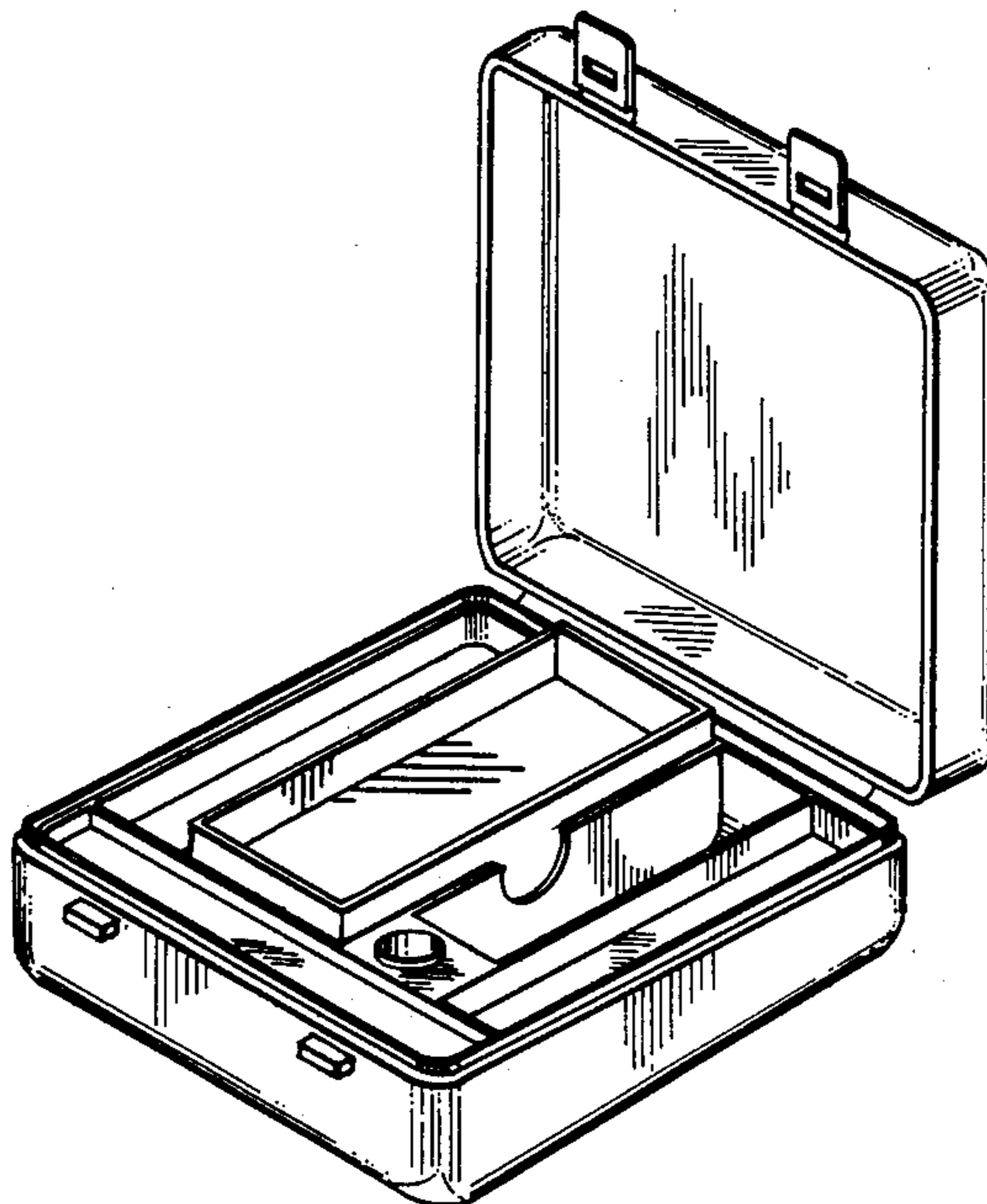
Primary Examiner—Louis S. Zarfaz
Assistant Examiner—M. N. Pandozzi
Attorney, Agent, or Firm—Milton S. Gerstein

[57] CLAIM

The ornamental design for a box for storing insulin and insulin-adjuncts, as shown and described.

DESCRIPTION

FIG. 1 is an isometric view of a box for storing insulin and insulin-adjuncts showing my new design, in open position;
 FIG. 2 is a top plan view thereof;
 FIG. 3 is a right side elevational view thereof, the left side being a mirror image;
 FIG. 4 is a rear elevational view;
 FIG. 5 is an isometric view with the top tray removed;
 FIG. 6 is a top plan view thereof;
 FIG. 7 is a right side elevational view thereof;
 FIG. 8 is a rear elevational view.



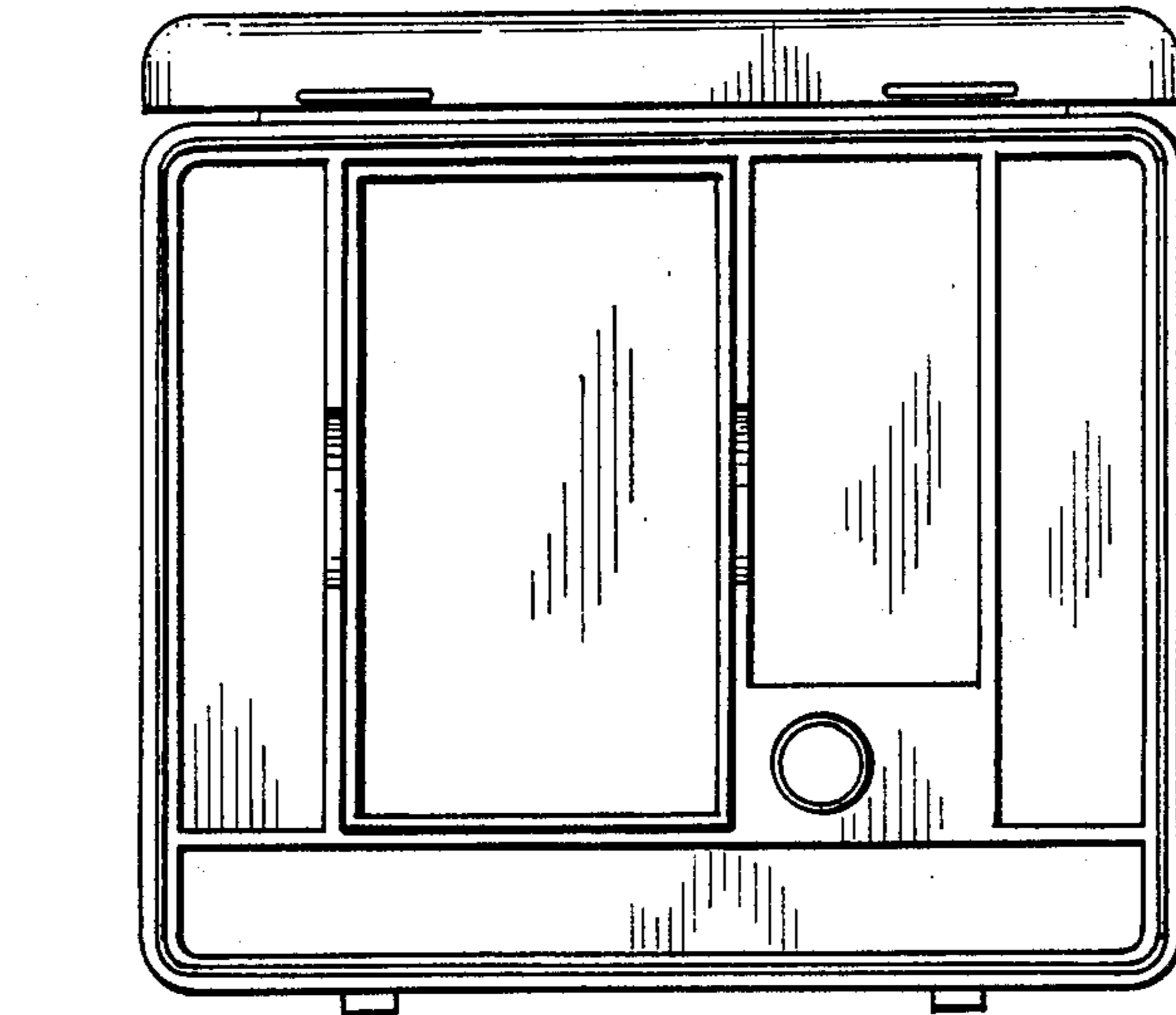
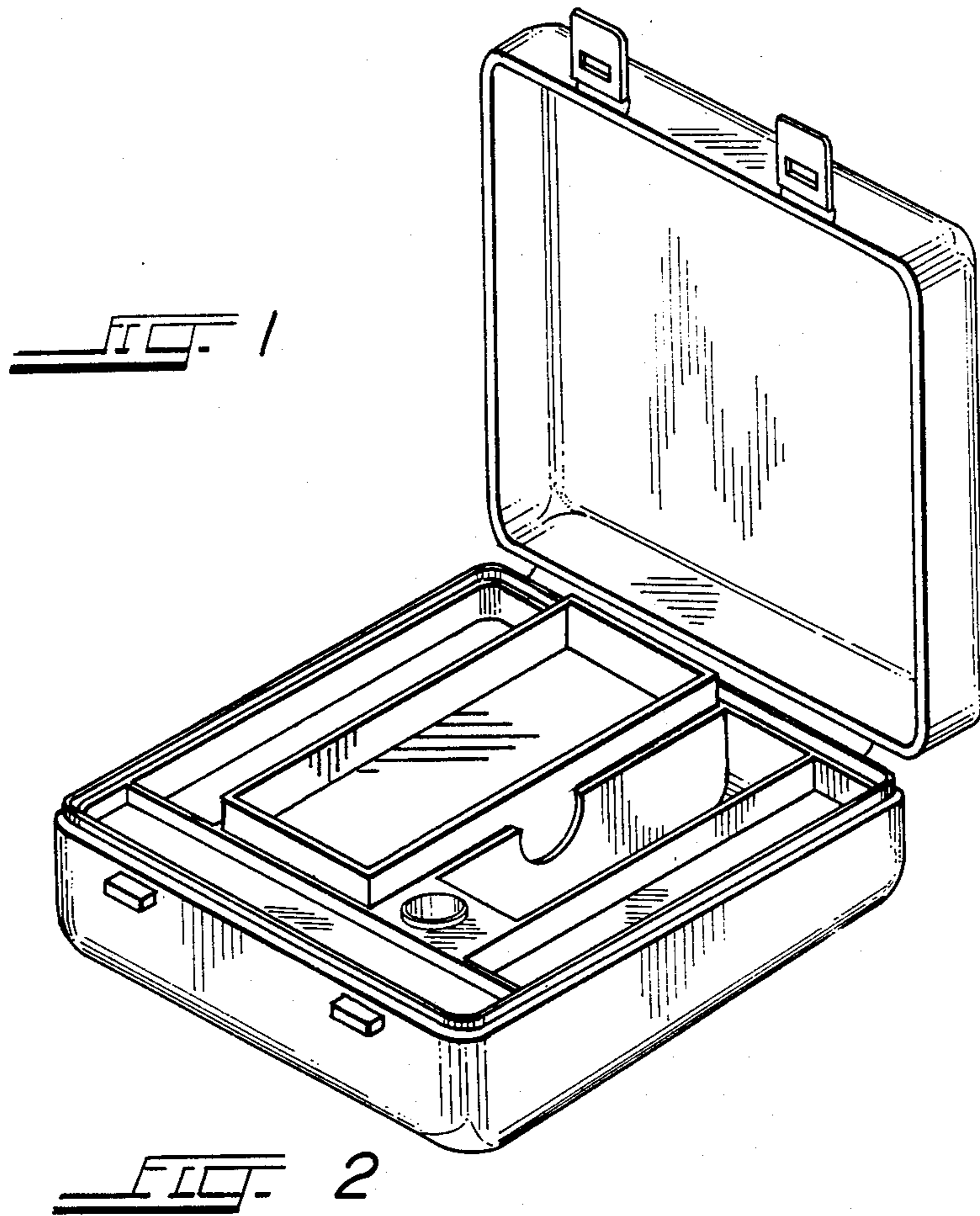


FIG. 3

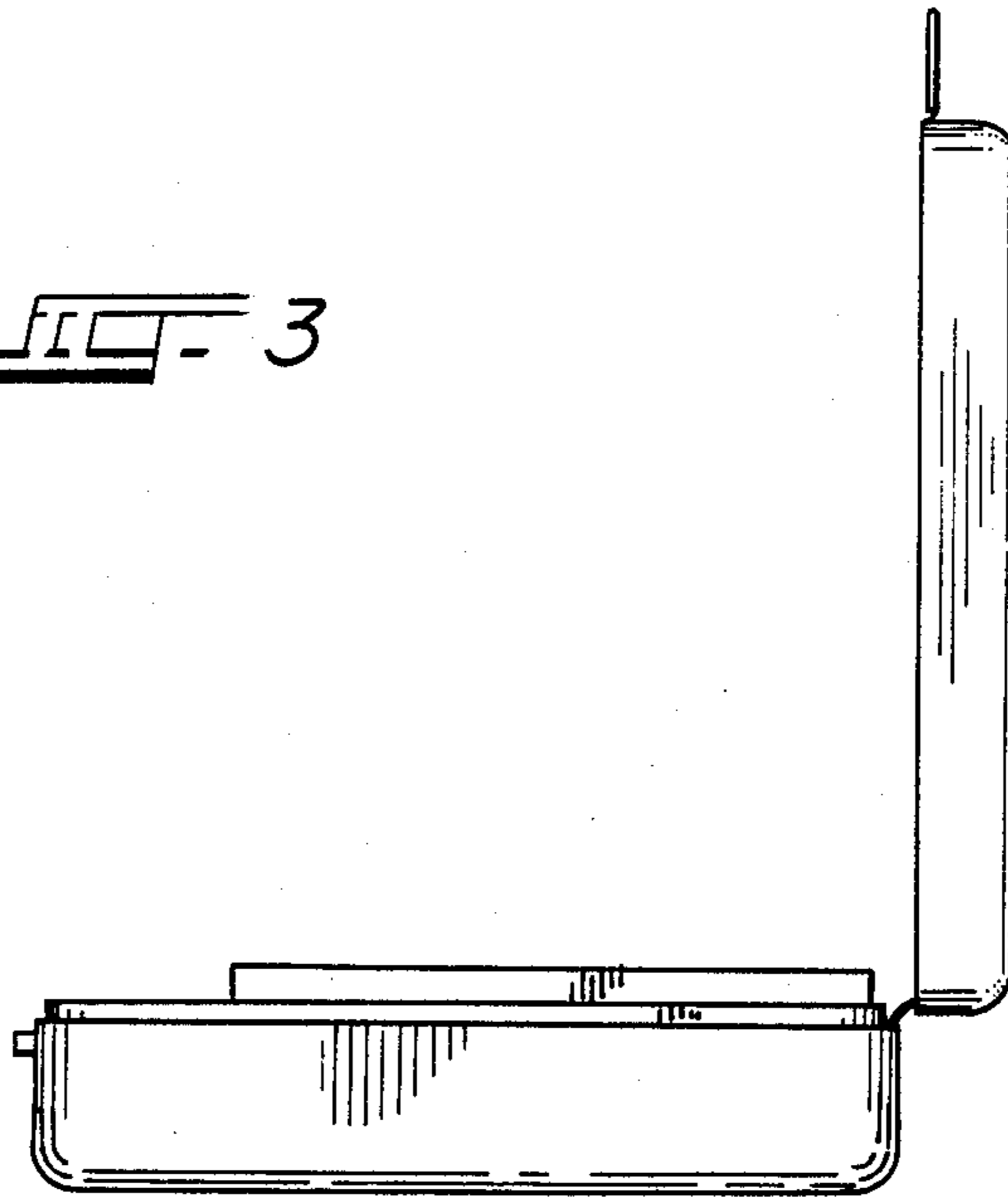
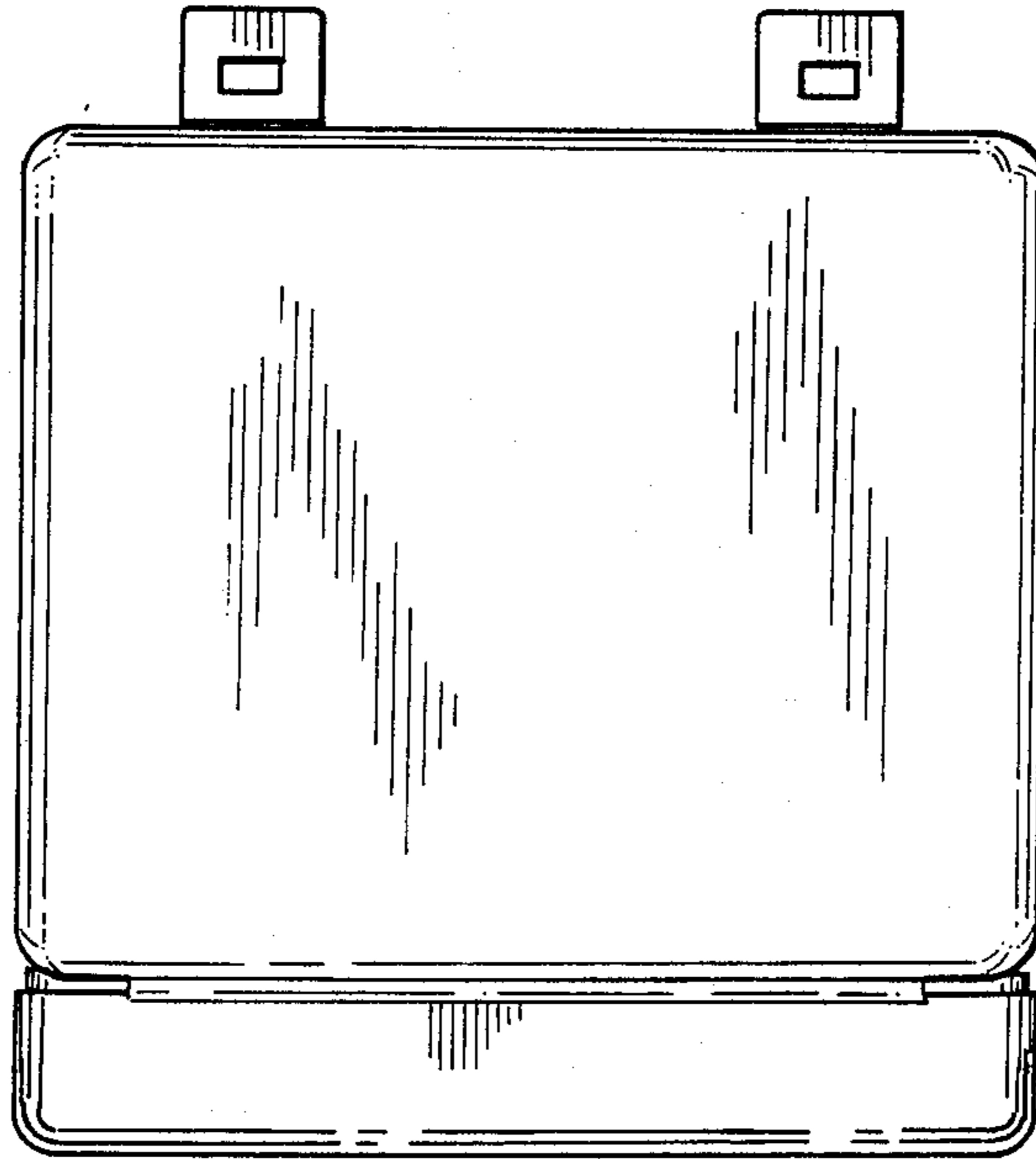


FIG. 4



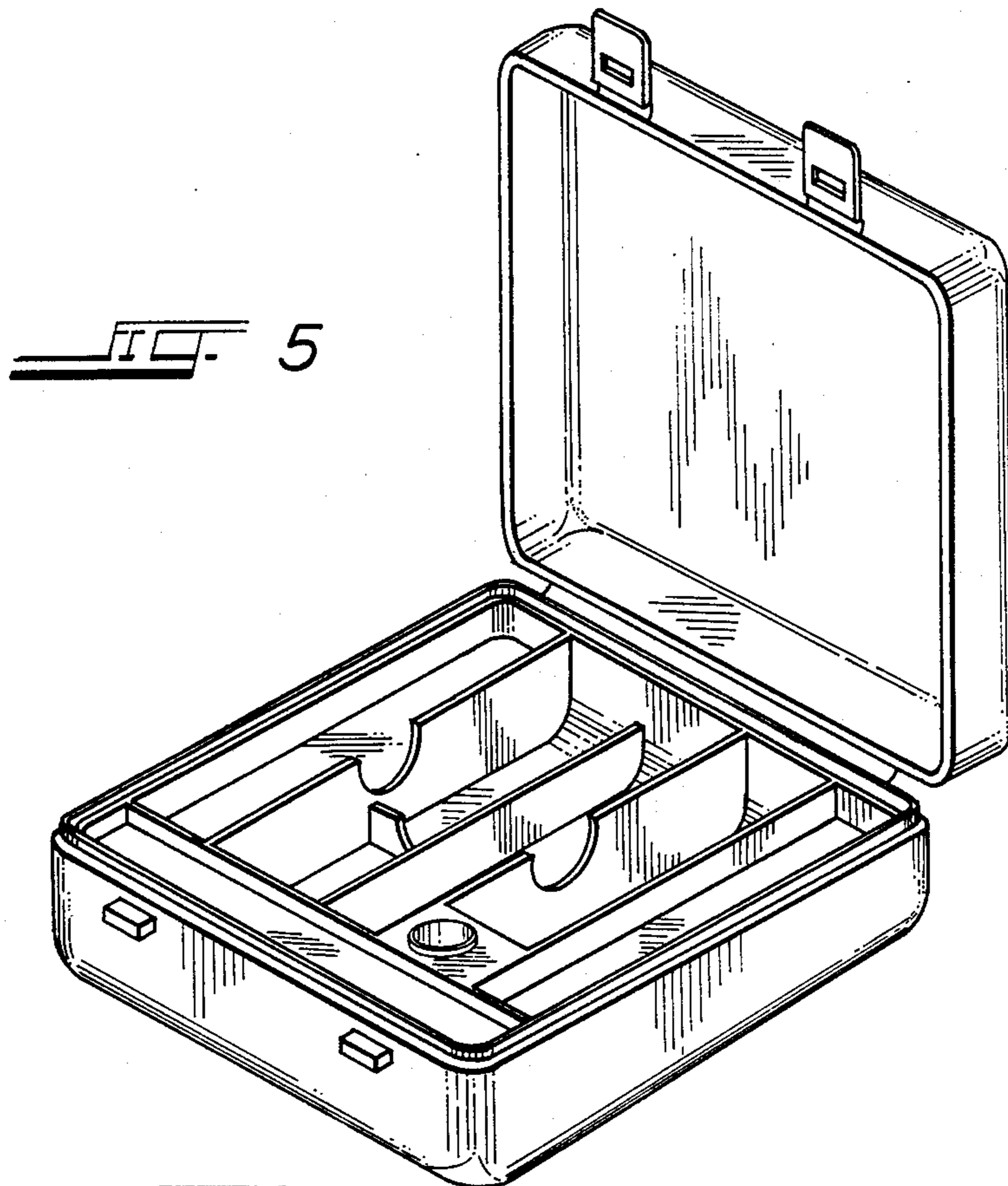


FIG. 6

