

[54] COMBINED KEY HOLDER AND LIGHT

[75] Inventors: Pierre Charet; Duke Kraai, both of Miami, Fla.

[73] Assignee: Rally Accessories, Inc., Miami, Fla.

[**] Term: 14 Years

[21] Appl. No.: 935,553

[22] Filed: Nov. 26, 1986

[52] U.S. Cl. D3/63

[58] Field of Search D3/61, 62, 63; 70/456 R; 206/37.1; 362/116

[56] References Cited

U.S. PATENT DOCUMENTS

- D. 262,241 12/1981 Meo D3/63
- D. 263,433 3/1982 Cunha D26/38 X
- D. 263,651 4/1982 Meo D26/38 X

FOREIGN PATENT DOCUMENTS

- 2024394 1/1980 United Kingdom 362/116
- 2073012 10/1981 United Kingdom 362/116

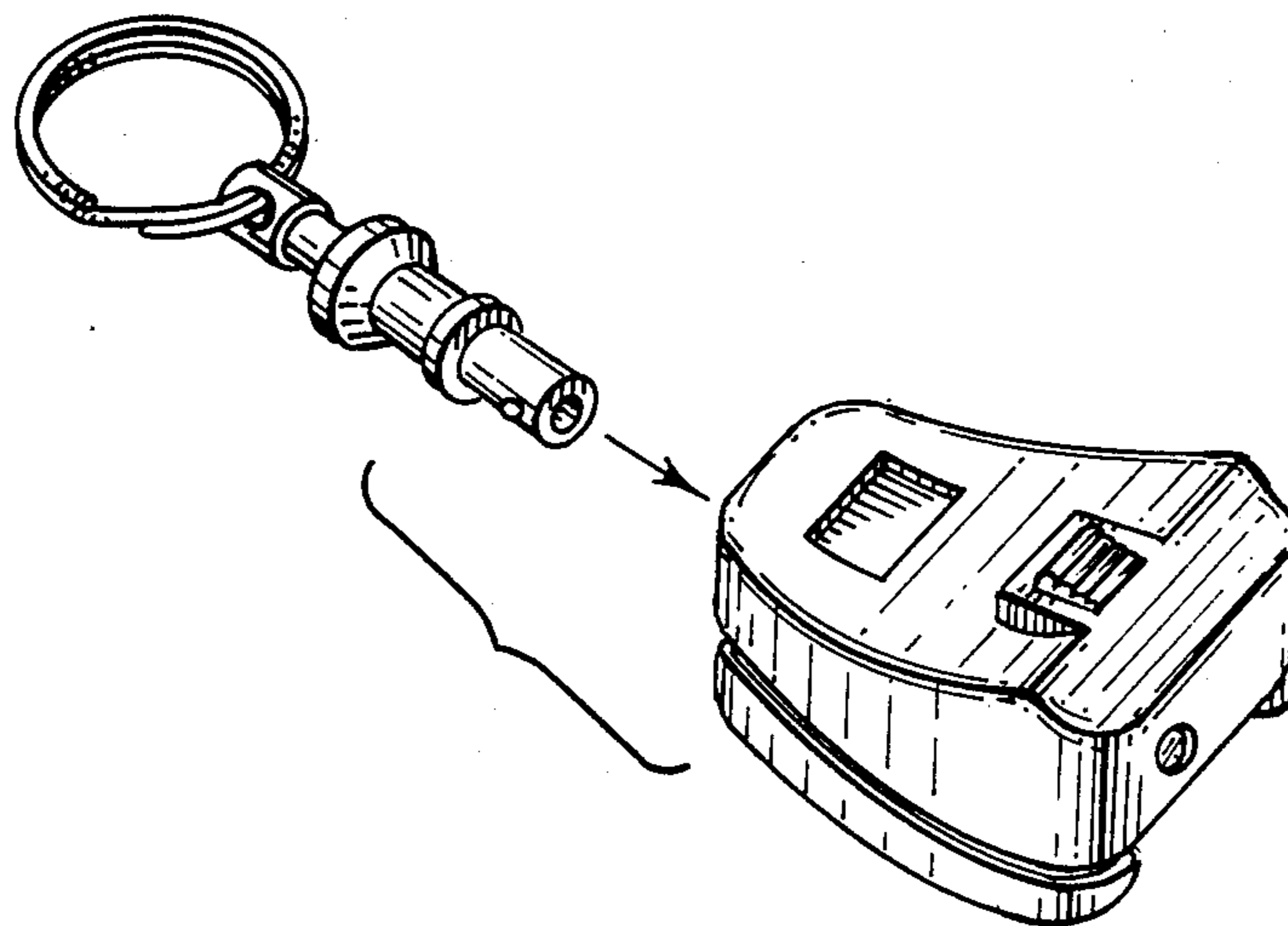
Primary Examiner—Bruce W. Dunkins
Assistant Examiner—Antoine D. Davis
Attorney, Agent, or Firm—Wells & White

[57] CLAIM

The ornamental design for a combined key holder and light, as shown.

DESCRIPTION

FIG. 1 is an exploded view in perspective of a combined key holder and light showing my new design; FIG. 2 is a right side elevational view thereof; FIG. 3 is a top plan view thereof; FIG. 4 is a bottom plan view thereof; FIG. 5 is a front elevational view; and FIG. 6 is a rear elevational view thereof; FIGS. 2-6 are on an enlarged scale.



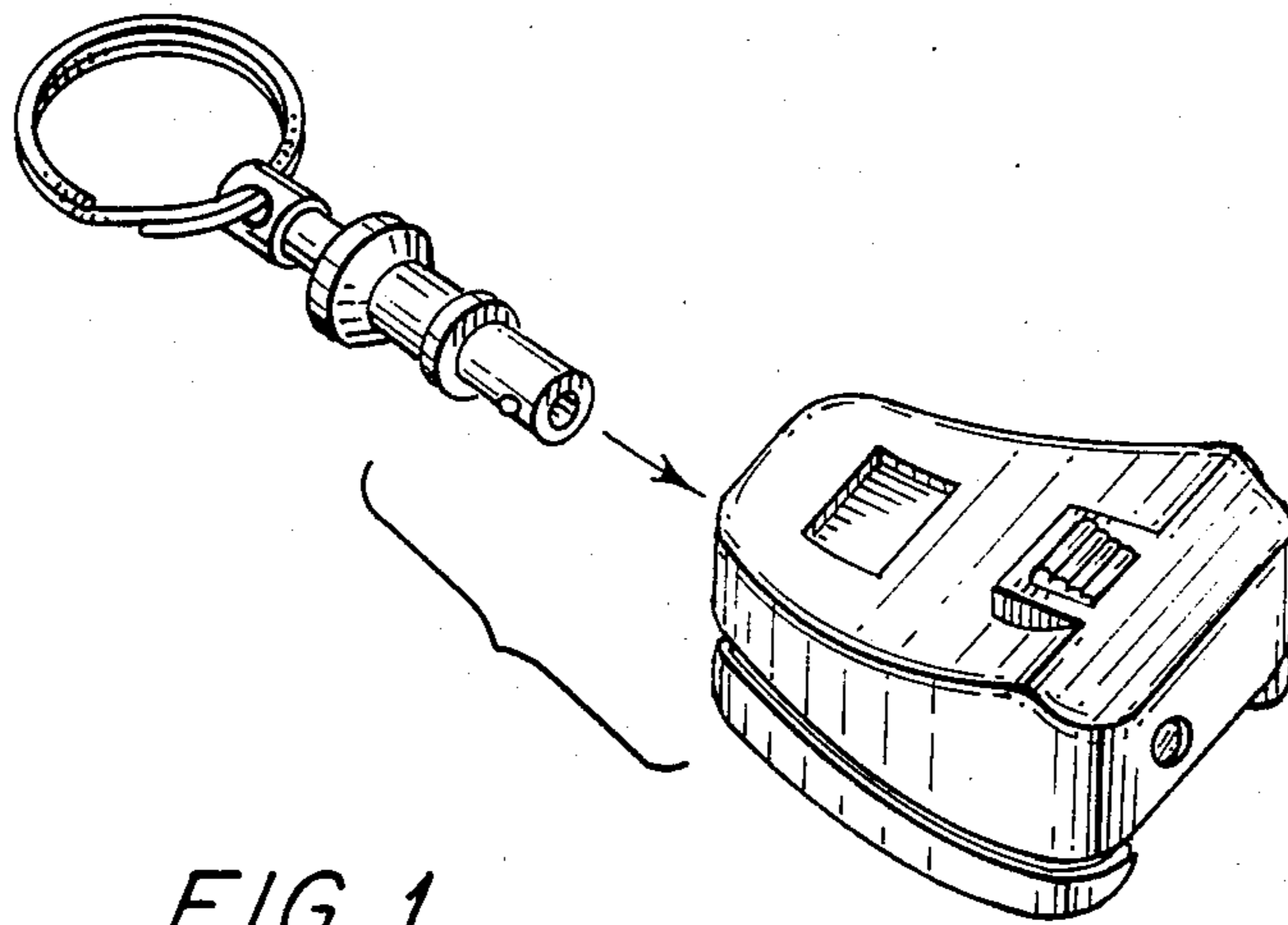


FIG. 1

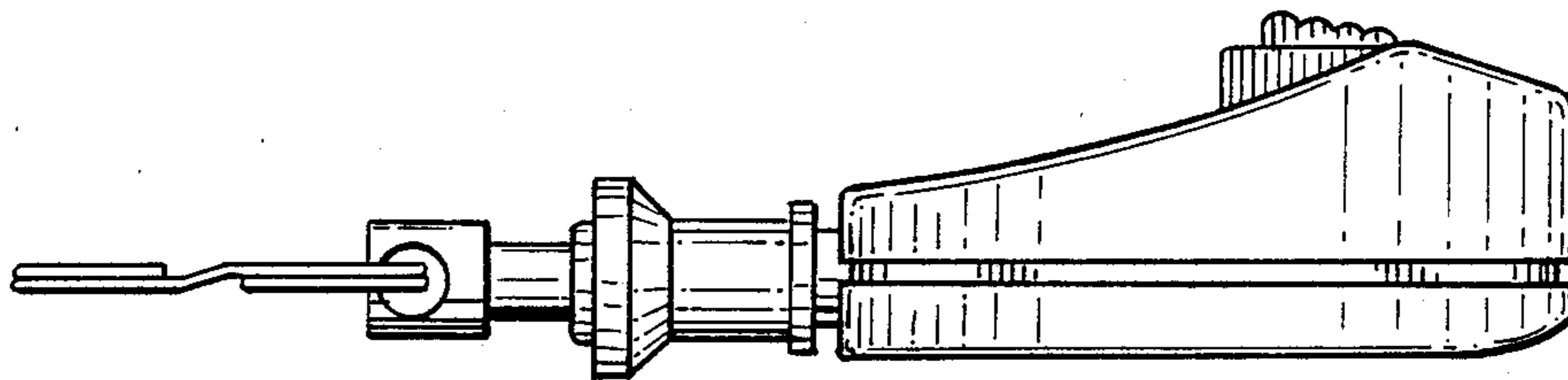


FIG. 2

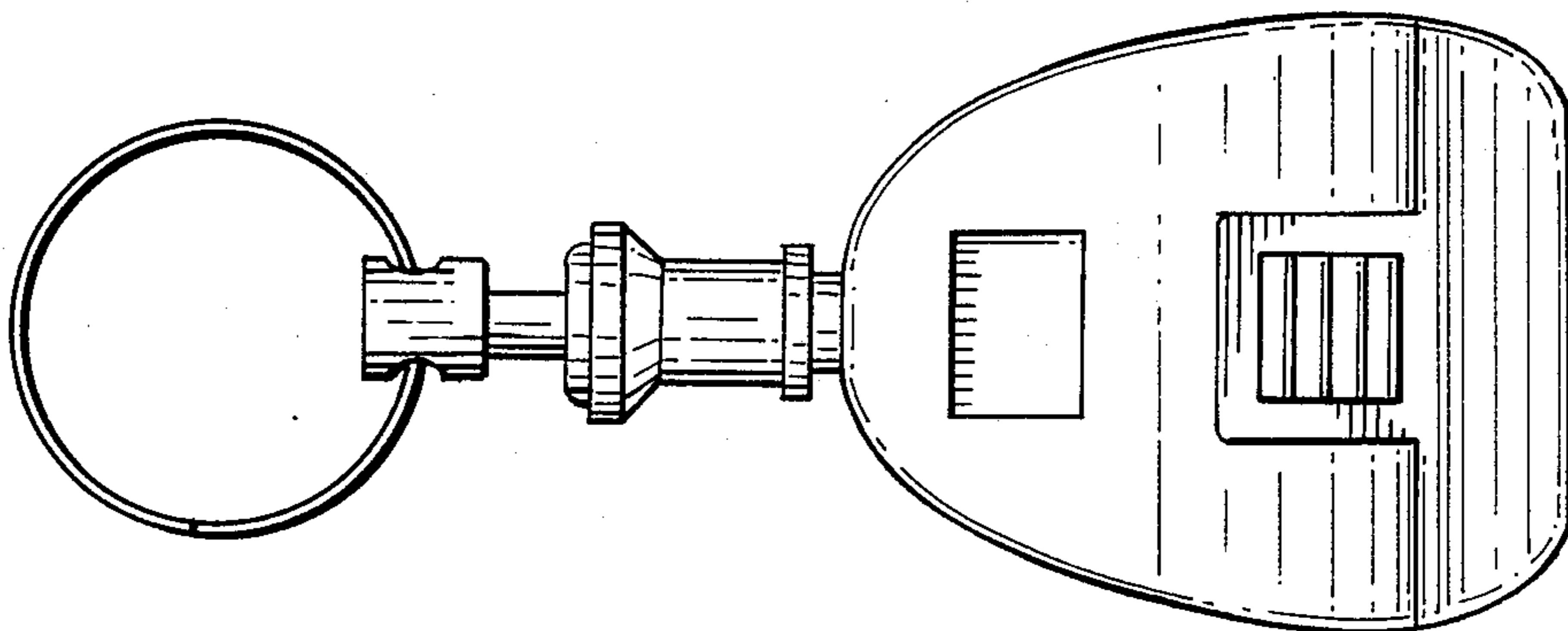


FIG. 3

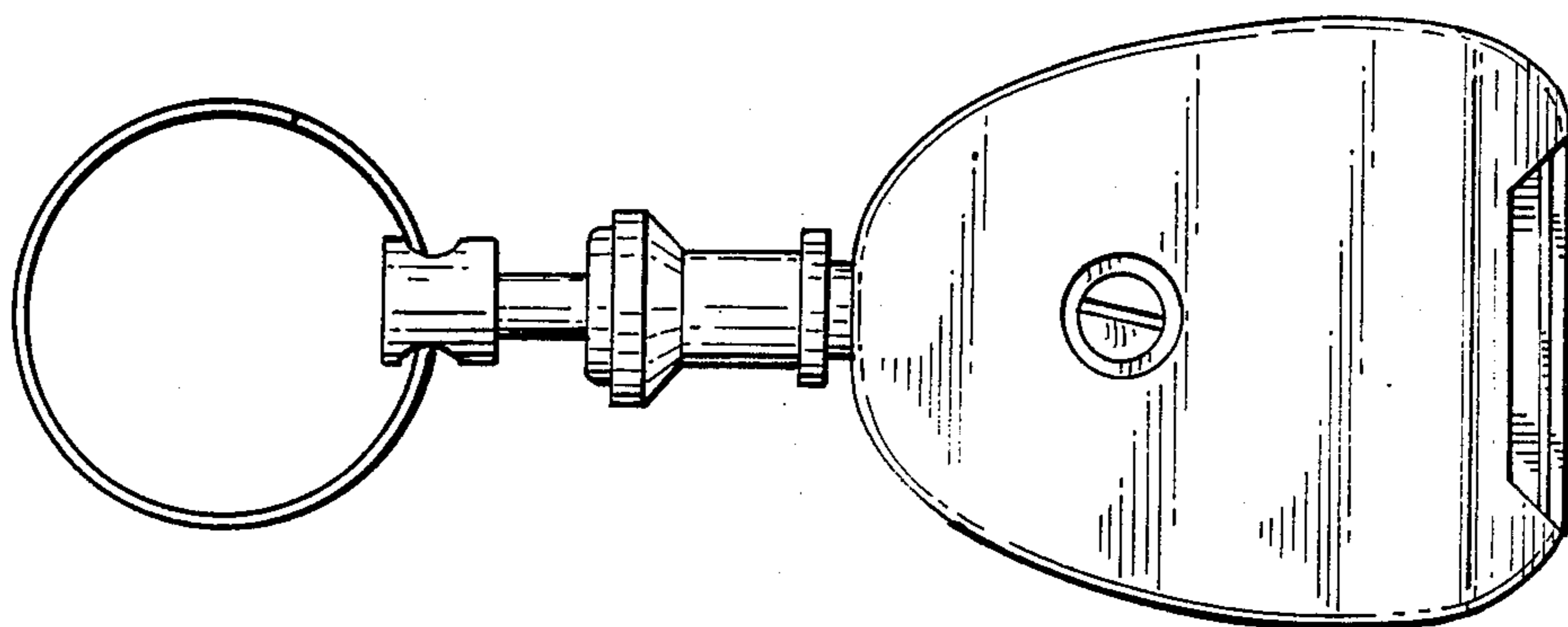


FIG. 4

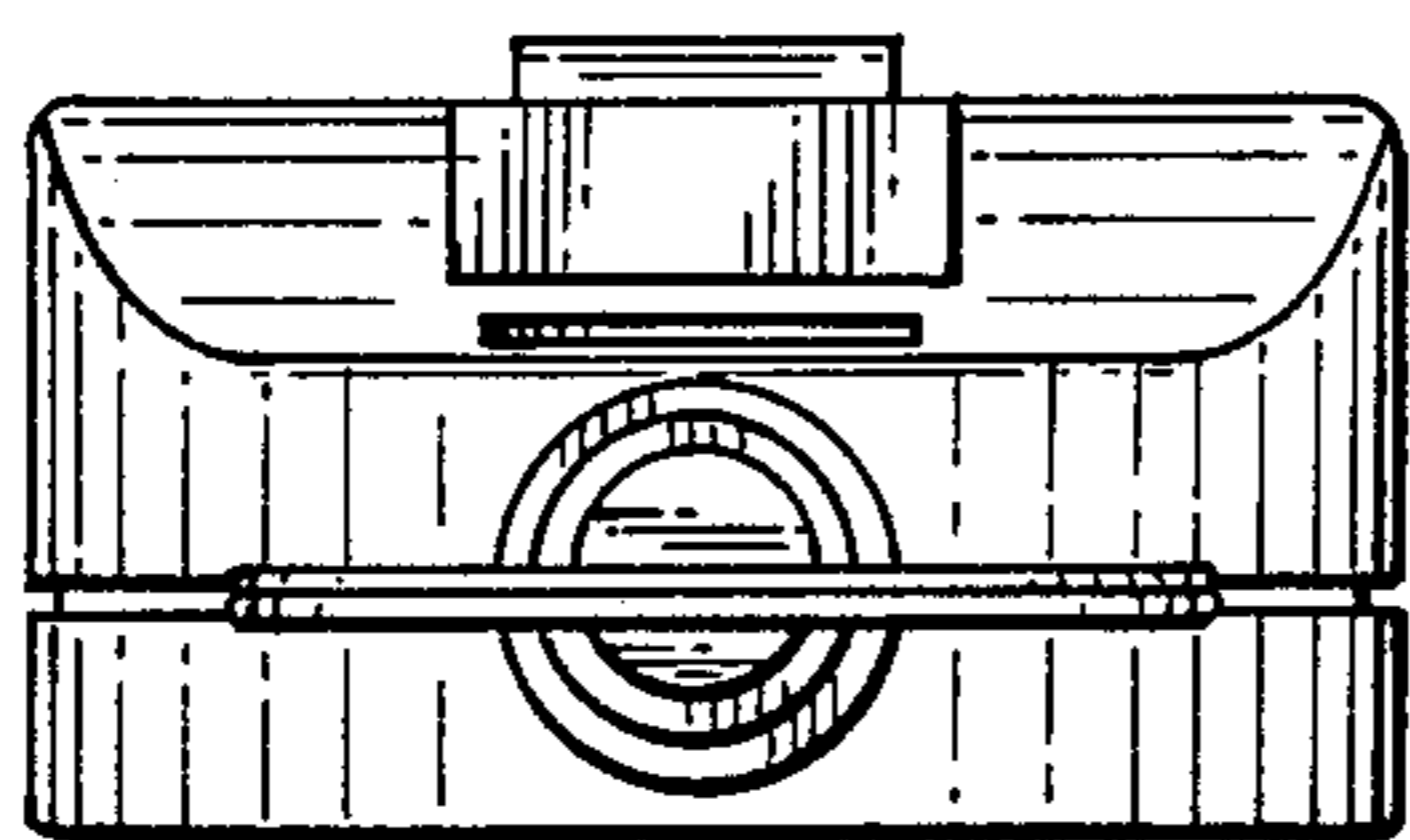


FIG. 5

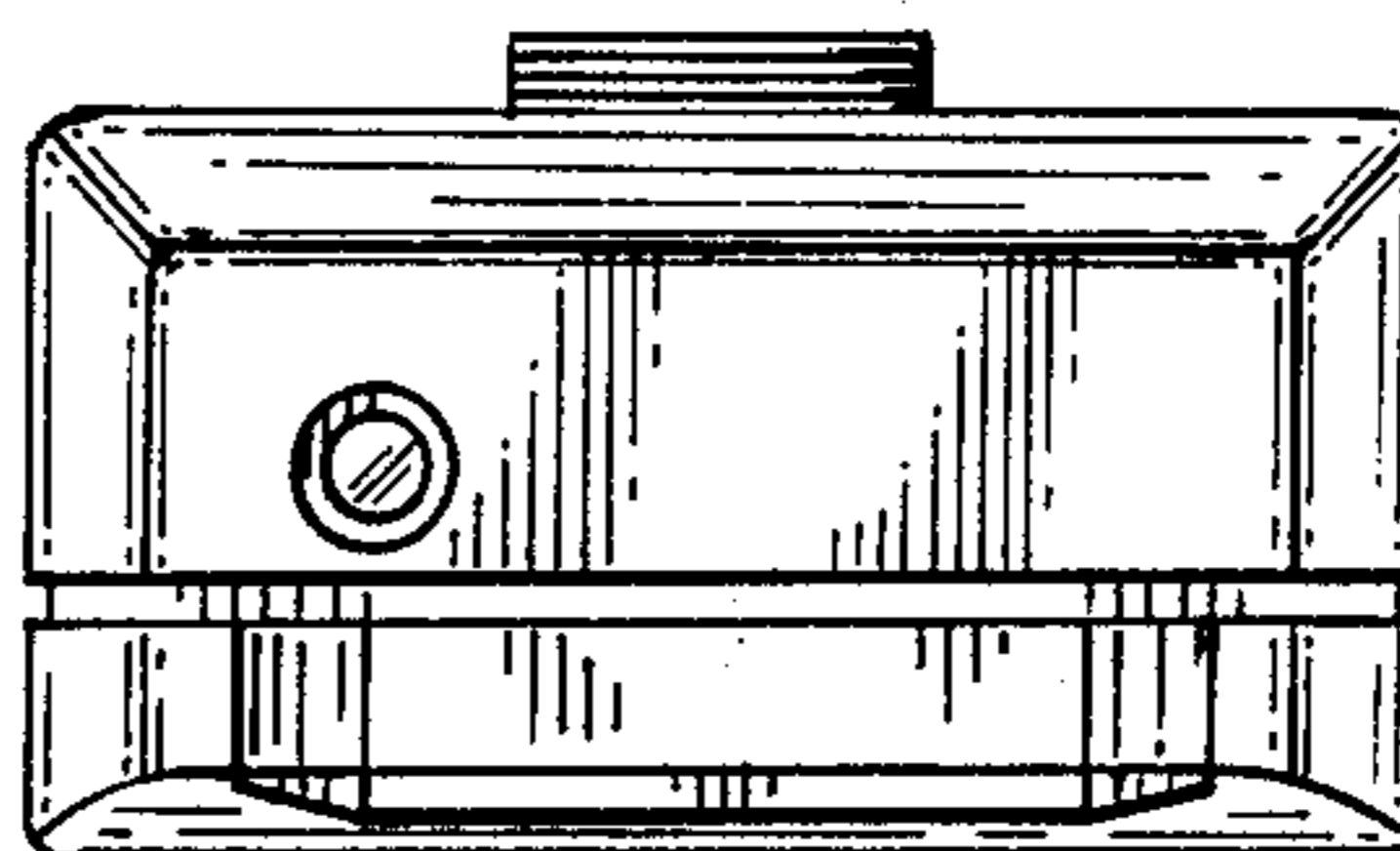


FIG. 6