

[54] COSMETIC BOX

[76] Inventor: -Smith Vasky, 820 Riverside Dr., Holly Hill, Fla. 32017

[**] Term: 14 Years

[21] Appl. No.: 212,422

[22] Filed: Jun. 27, 1988

[52] U.S. Cl. D3/39

[58] Field of Search D3/30.1, 39, 30.5, 73, D3/74, 75; D9/337, 341, 414, 420, 421, 422, 432; D28/61, 73, 77, 83, 85; 206/581, 823; 132/286, 314, 315, 287; 190/109, 110, 111, 113, 115, 124-127

[56] References Cited

U.S. PATENT DOCUMENTS

- D. 103,112 2/1937 Lewis D3/39
- D. 185,051 4/1959 Uyeda et al. D3/76
- D. 202,160 8/1965 Territo D3/75 X
- D. 218,329 8/1970 Weaver D28/76
- D. 233,078 10/1974 Mullins D3/39
- D. 261,234 10/1981 Abraham D9/432
- 1,652,984 12/1927 Hixson 312/200
- 1,800,186 4/1931 Shriver D3/74 X
- 2,119,313 5/1938 Burdge 312/199

- 2,488,067 11/1949 Roark 312/200
- 2,755,154 7/1956 Mele 312/274
- 3,410,018 11/1968 Woolworth 43/26
- 3,777,418 12/1973 Cooper 206/542 X
- 3,985,409 10/1976 Kneir 312/271
- 4,085,987 4/1978 Vartdal 312/269
- 4,151,912 5/1979 Harrold D3/30.1 X

FOREIGN PATENT DOCUMENTS

- 1044189 12/1978 Canada 190/111
- 2532164 3/1984 France 206/823

Primary Examiner—Bernard Ansher
Assistant Examiner—C. Tuttle
Attorney, Agent, or Firm—Shlesinger & Myers

[57] CLAIM

The ornamental design for a cosmetic box, as shown.

DESCRIPTION

FIG. 1 is a perspective view of a cosmetic box showing my new design;
FIG. 2 is a rear elevational view thereof;
FIG. 3 is a bottom plan view thereof;
FIG. 4 is a perspective view thereof, shown in an open condition; and
FIG. 5 is a right side elevational view thereof.

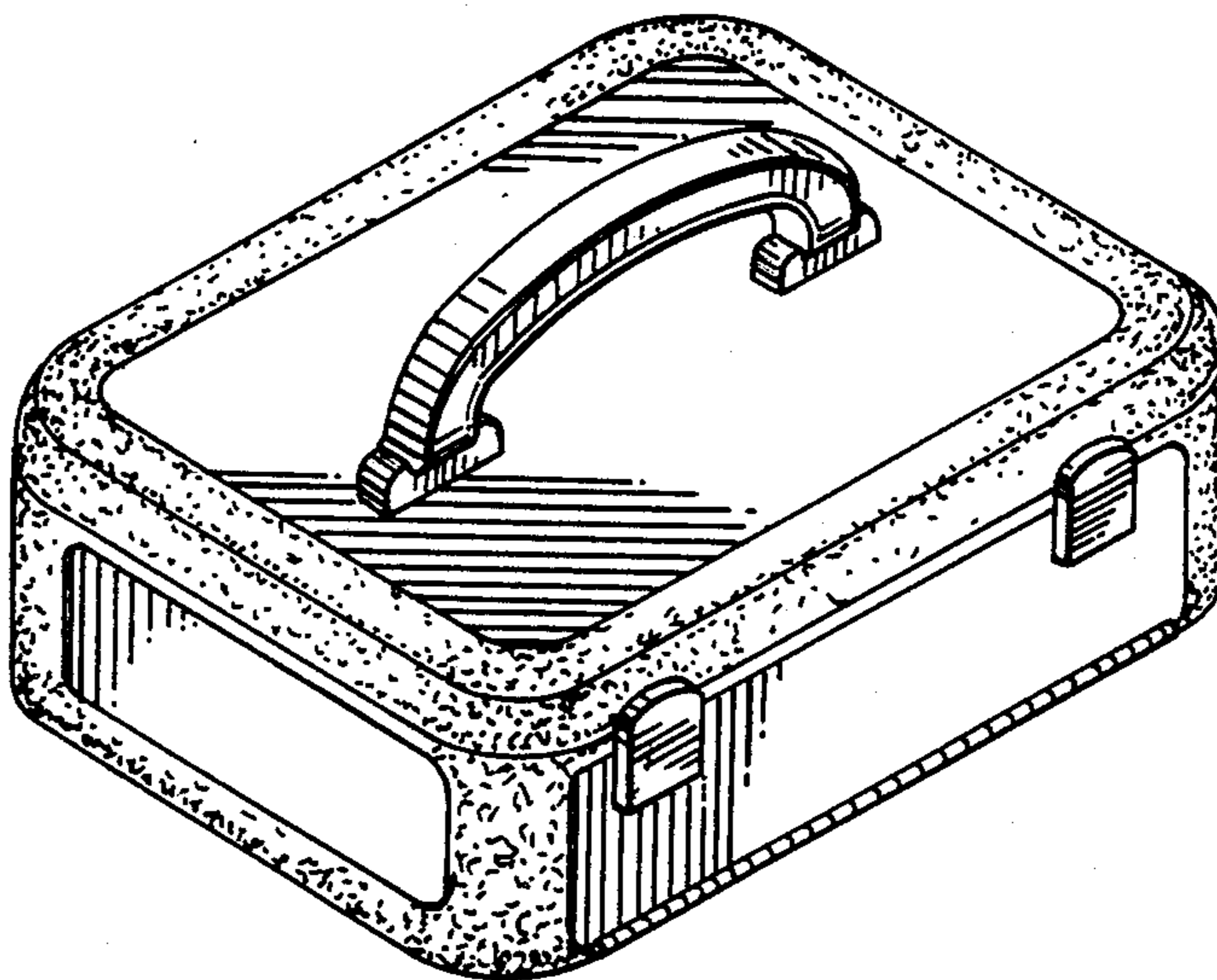


Fig. 1

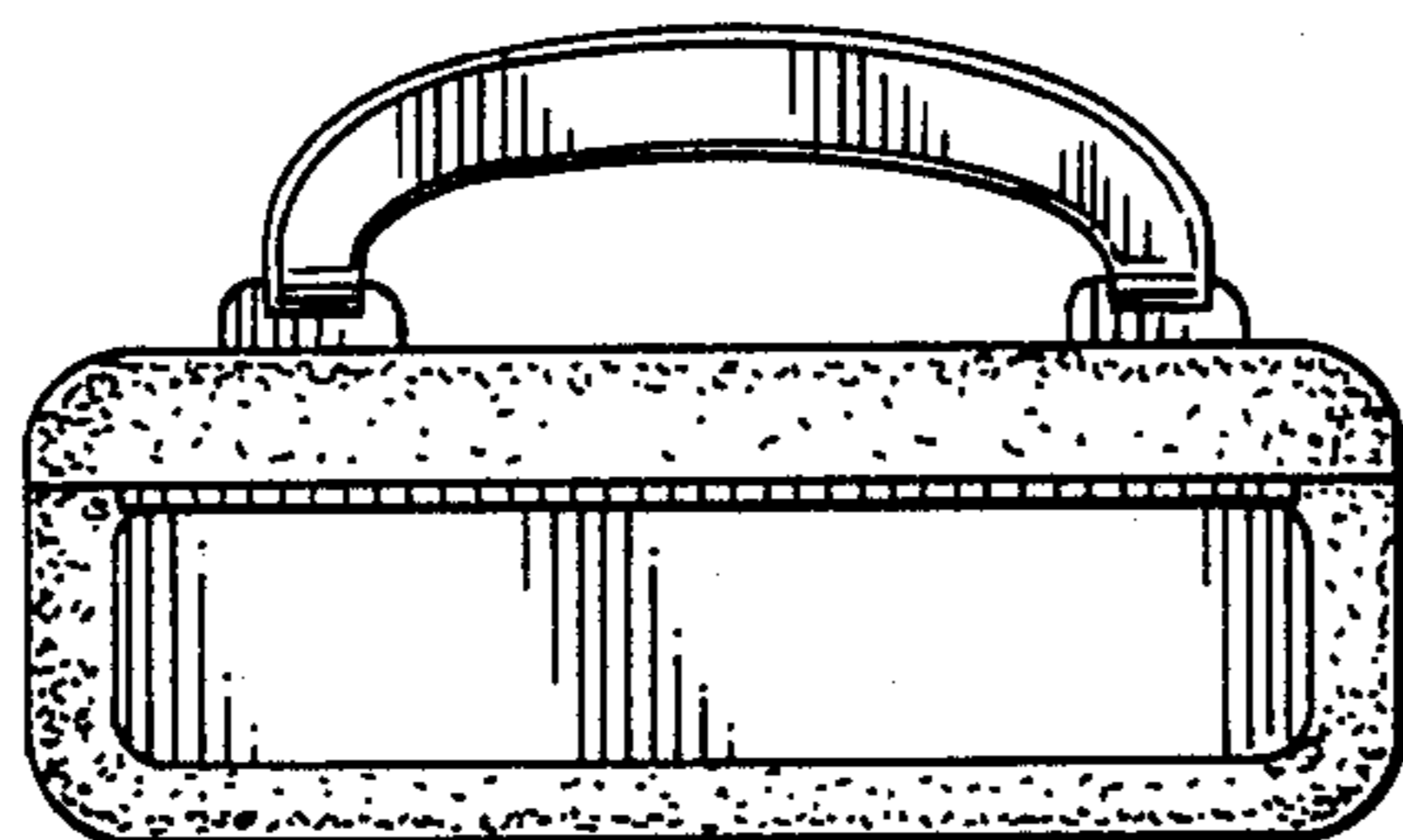
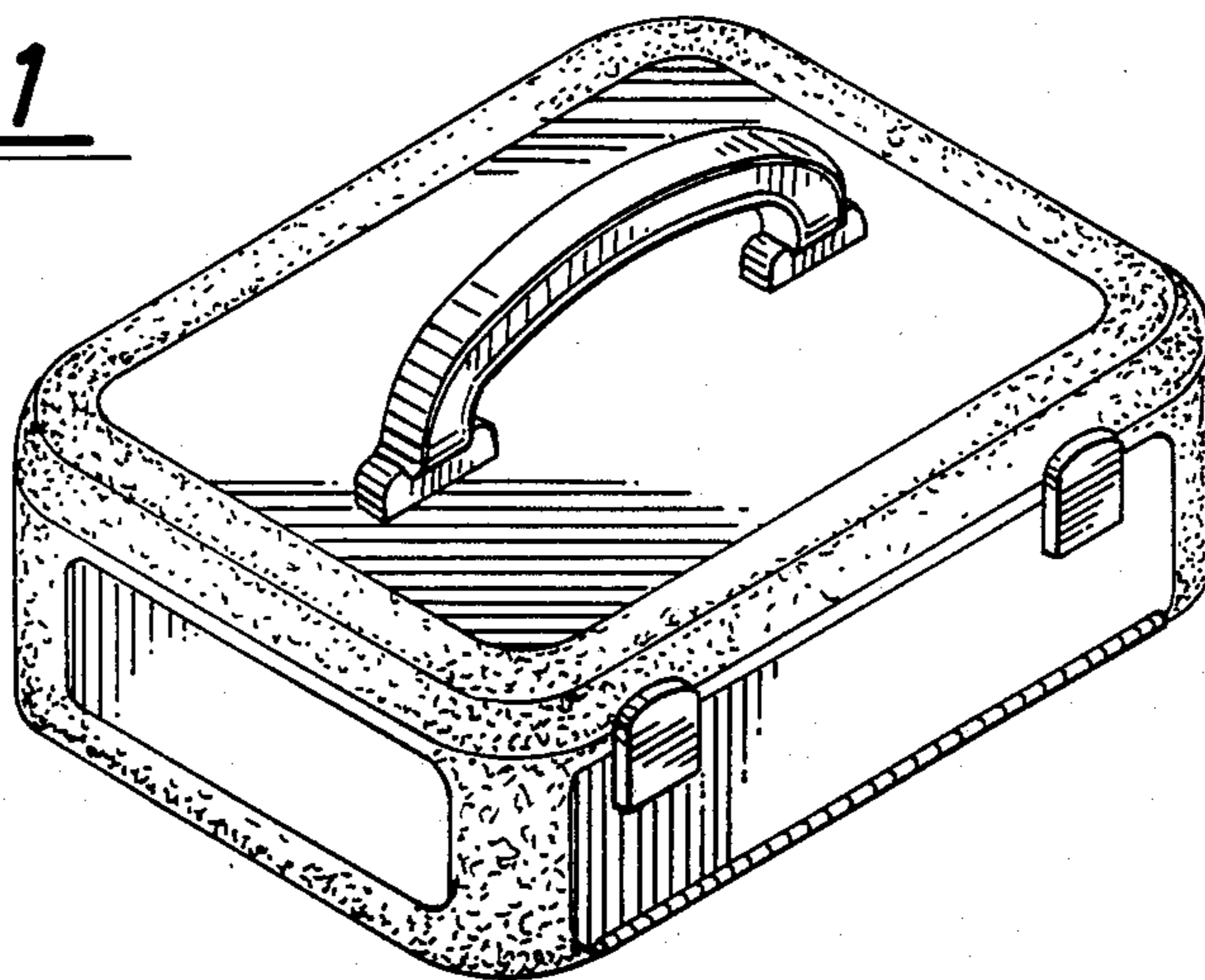
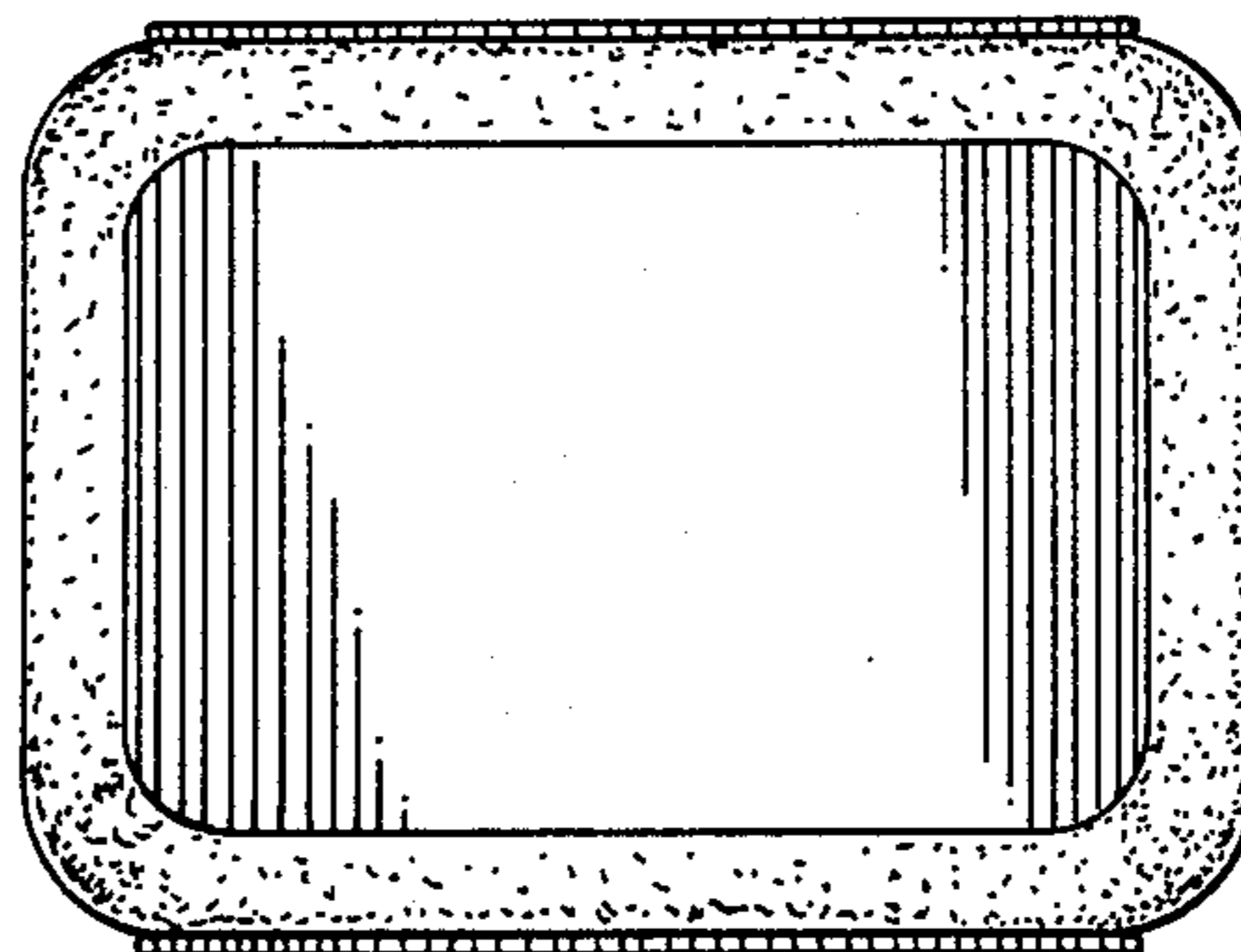


Fig. 2

Fig. 3



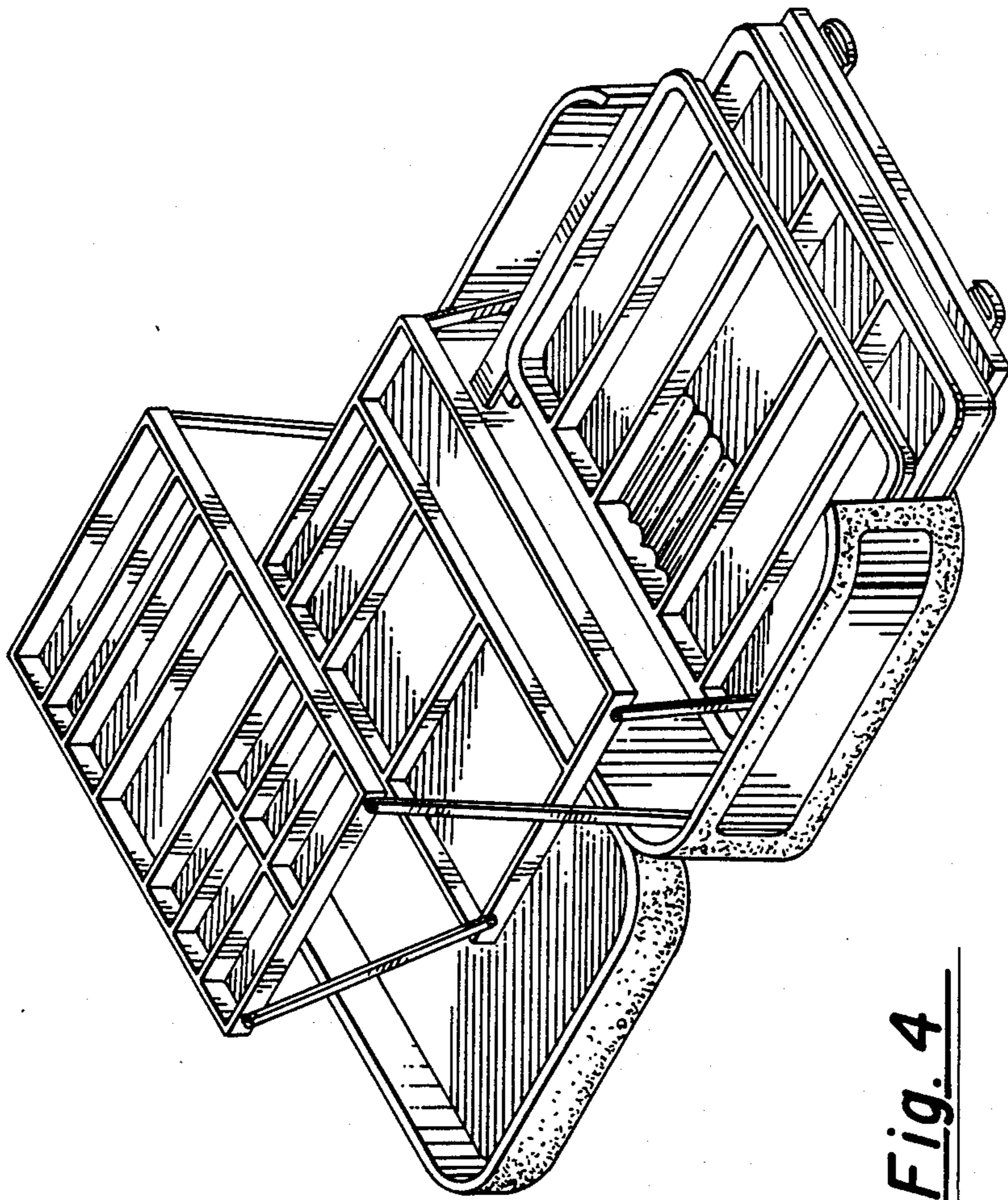


Fig. 4

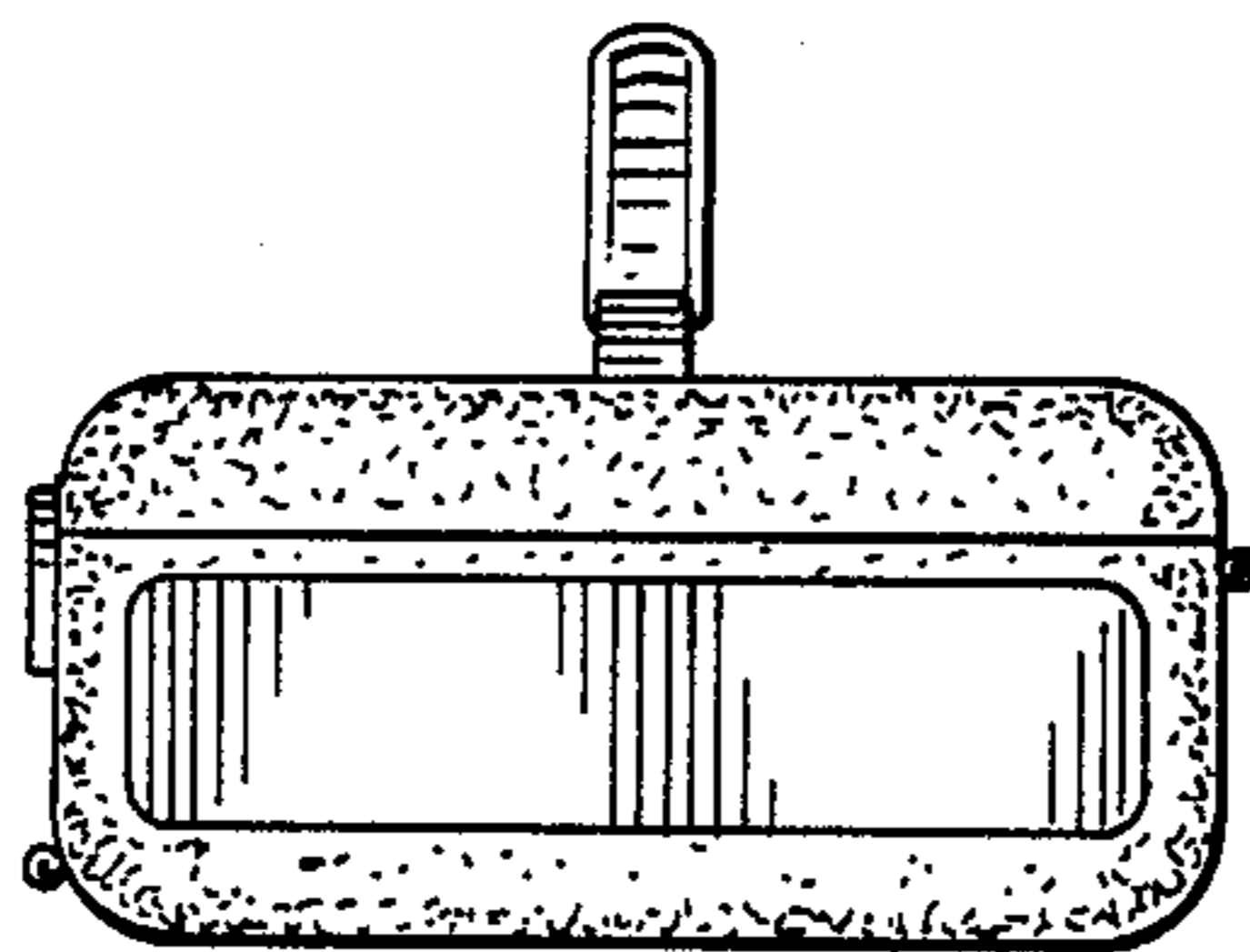


Fig. 5

UNITED STATES PATENT AND TRADEMARK OFFICE
CERTIFICATE OF CORRECTION

PATENT NO. : Des. 313,502
DATED : January 8, 1991
INVENTOR(S) : Sharon E. Vasky-Smith

It is certified that error appears in the above-identified patent and that said Letters Patent is hereby corrected as shown below:

On the Title Page, Item No. [19], "Vasky", should read

--Vasky-Smith--;

Item No. [76], "-Smith Vasky", should read

--Sharon E. Vasky-Smith--.

**Signed and Sealed this
Second Day of June, 1992**

Attest:

DOUGLAS B. COMER

Attesting Officer

Acting Commissioner of Patents and Trademarks