

[54] DISPLAY DRAWER FOR TAPE CASSETTES OR THE LIKE

[75] Inventor: Yun S. Chow, Kowloon, Hong Kong

[73] Assignee: Sun Hing Audio Equipment Mfy., Limited, Kowloon, Hong Kong

[*] Notice: The portion of the term of this patent subsequent to Jul. 3, 2004 has been disclaimed.

[**] Term: 14 Years

[21] Appl. No.: 930,223

[22] Filed: Nov. 12, 1986

[52] U.S. Cl. D3/35

[58] Field of Search D3/30.1, 35; 206/309, 206/310; D6/432, 407

[56] References Cited

U.S. PATENT DOCUMENTS

- D. 178,195 11/1956 French et al. D3/30.1
- D. 179,920 3/1957 Shelly D3/30.1

- D. 212,316 9/1968 Lackin D3/35
- D. 212,794 11/1968 Dilyard D3/35
- D. 257,496 11/1980 Beckman D3/35
- D. 266,526 10/1982 Raine D3/30.1
- D. 268,379 3/1983 Dishell D3/35
- D. 284,204 6/1986 Kirchner D3/35
- D. 287,425 12/1986 Kirchner D3/35

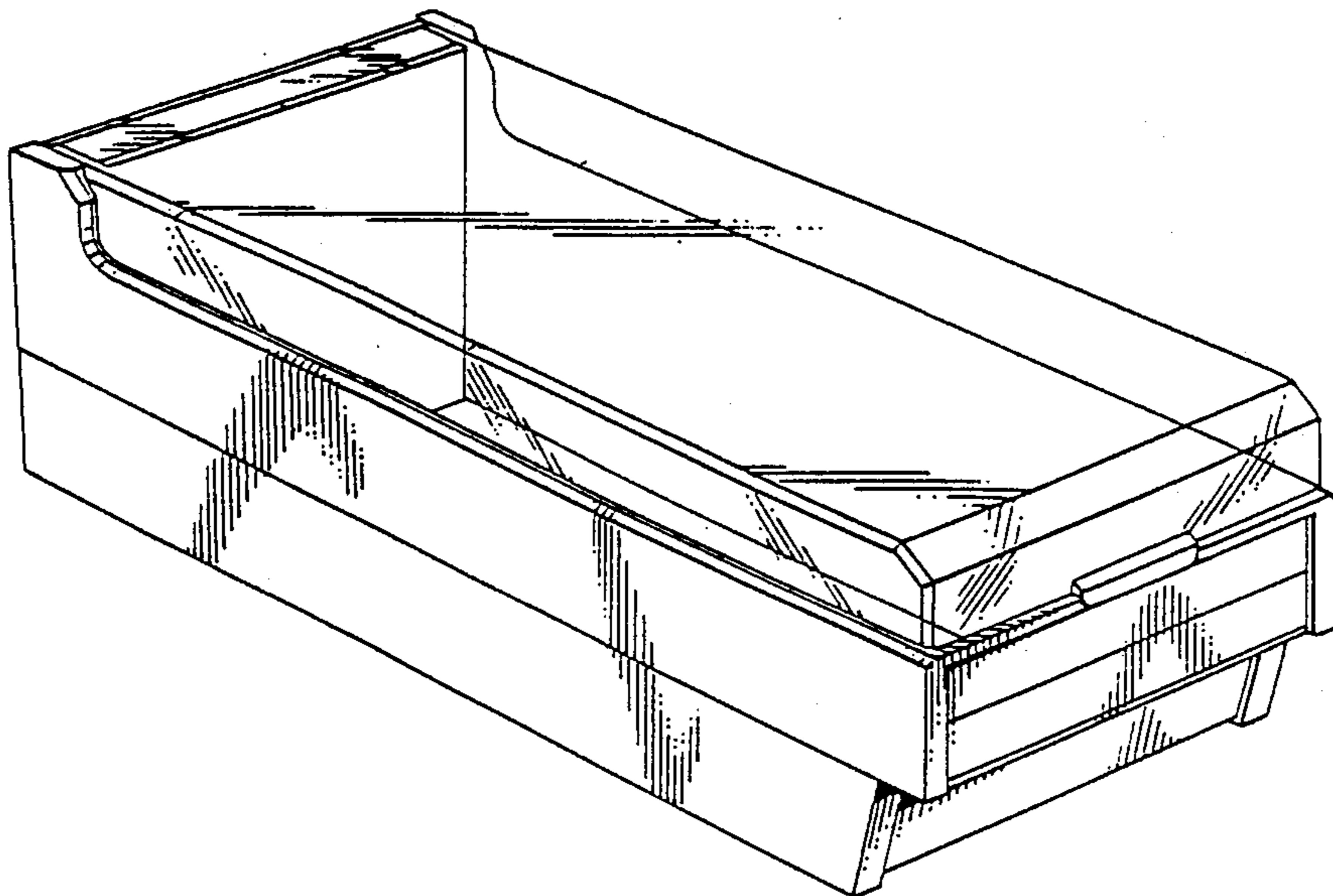
Primary Examiner—Nelson C. Holtje
Assistant Examiner—Antoine D. Davis
Attorney, Agent, or Firm—Edward D. C. Bartlett

[57] CLAIM

The ornamental design for a display drawer for tape cassettes or the like, as shown and described.

DESCRIPTION

FIG. 1 is a part and top-left perspective view of a display drawer for tape cassettes or the like showing my design;
FIG. 2 is a bottom view thereof;
FIG. 3 is a right side elevational view thereof;
FIG. 4 is another right side elevational view thereof, showing the cover in an open position; and
FIG. 5 is a rear elevational view thereof.



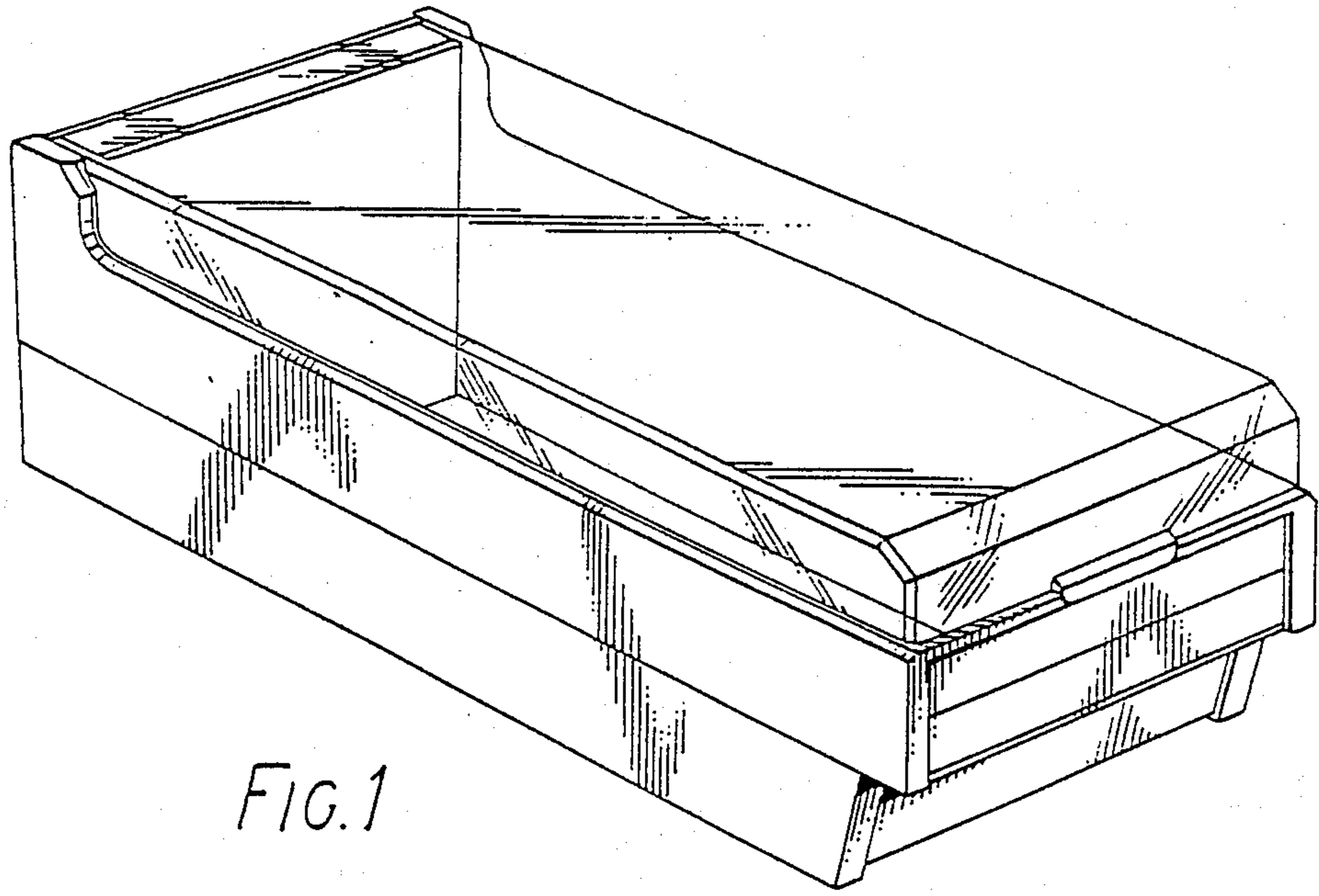


FIG. 1

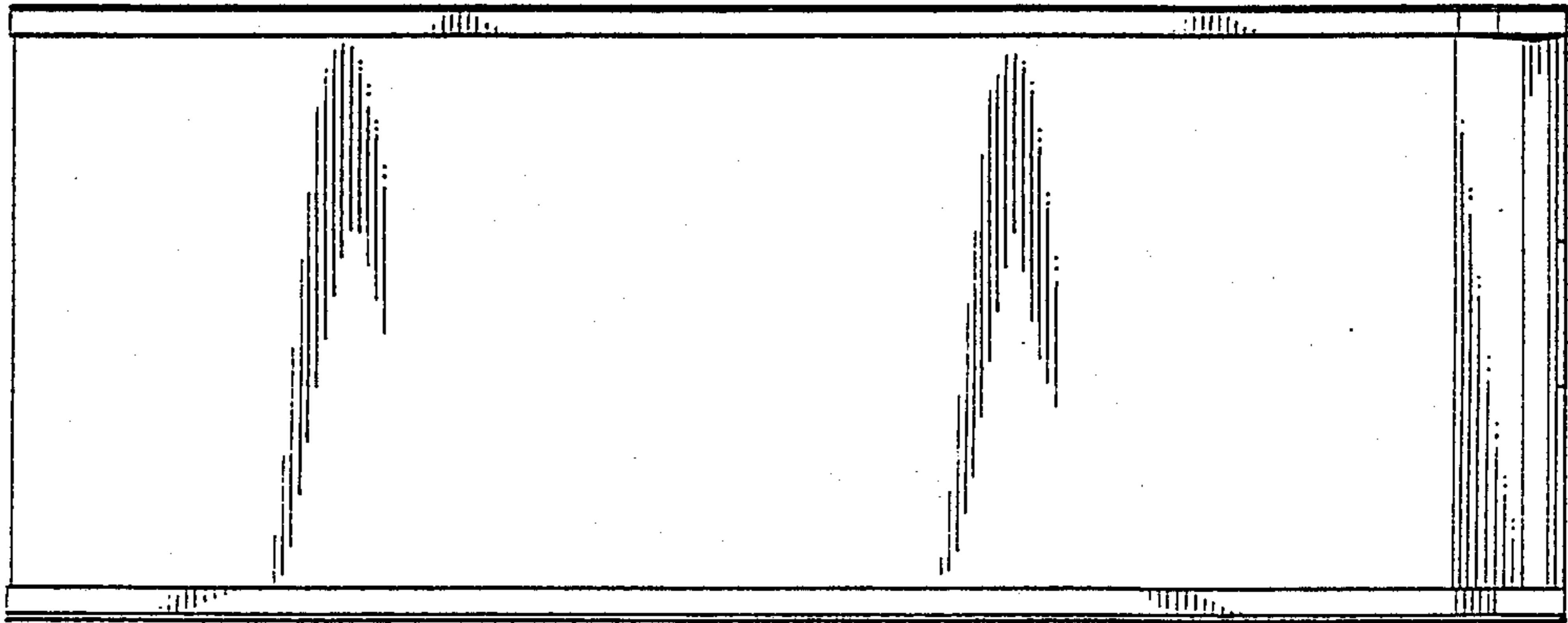


FIG. 2

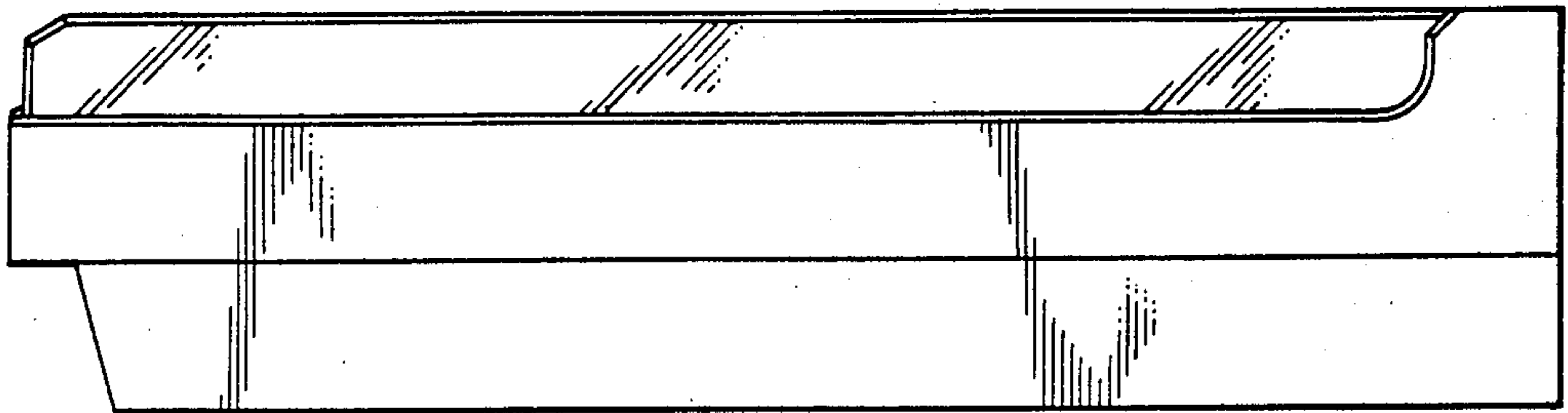


FIG. 3

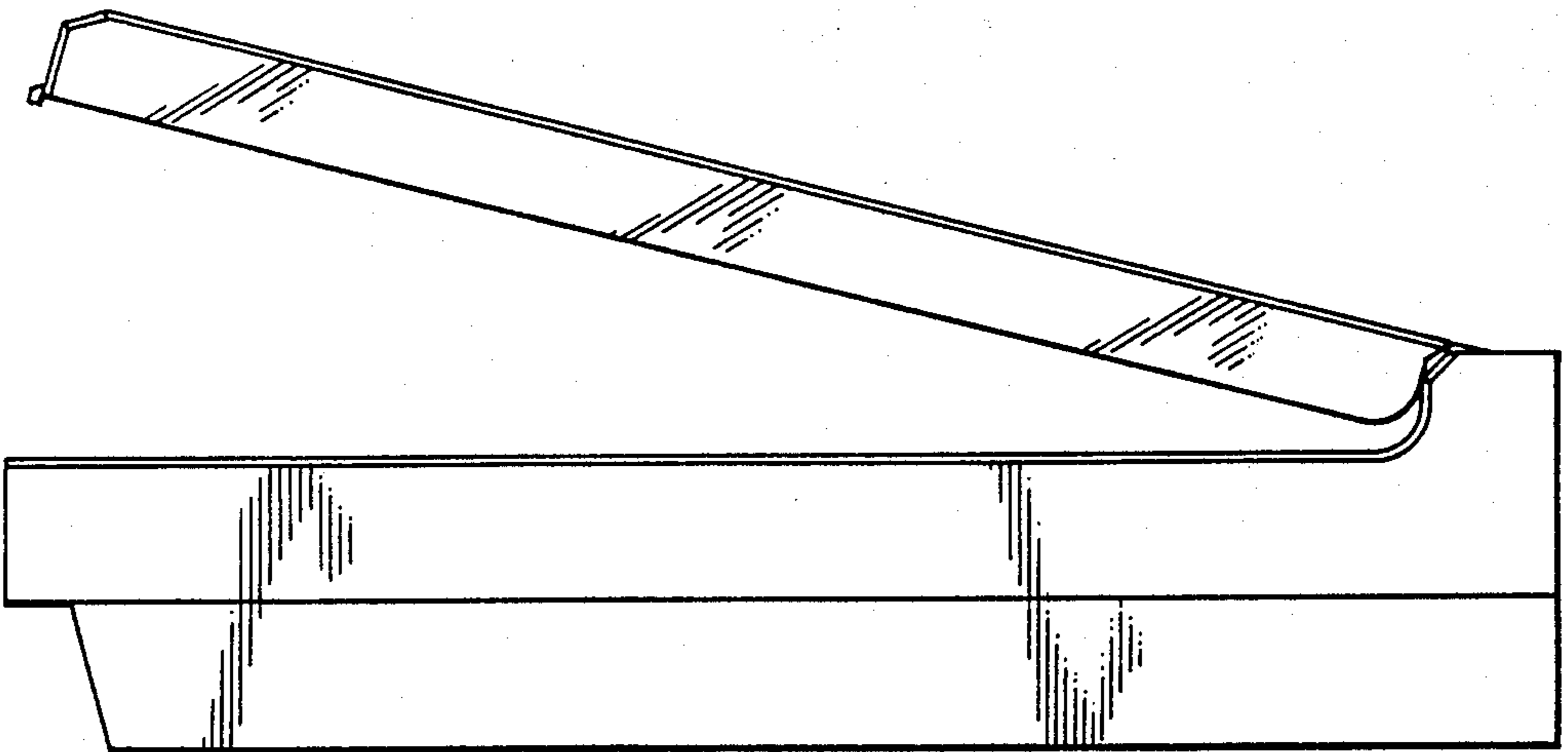


FIG. 4

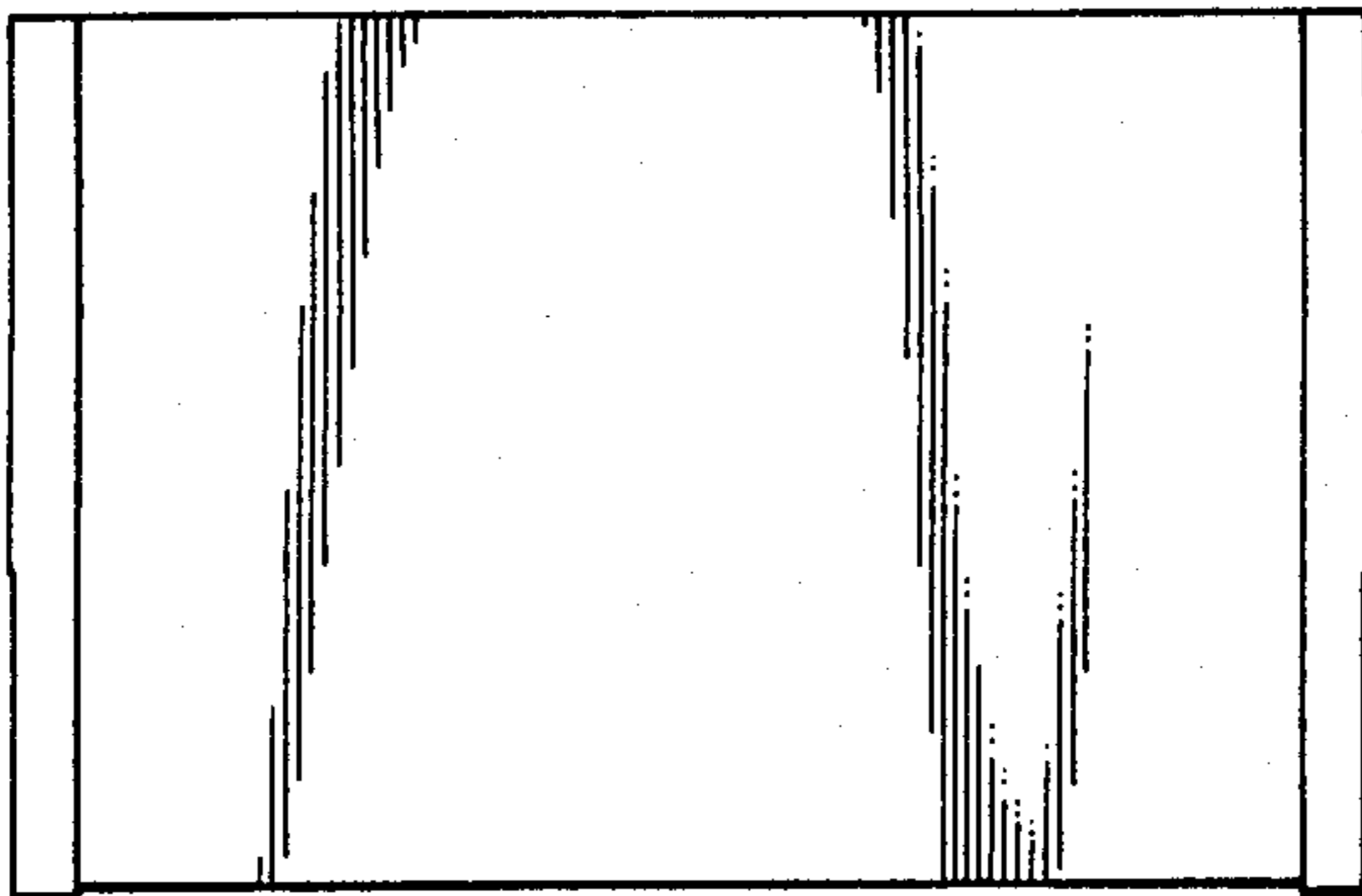


FIG. 5