

[54] **STACKABLE TRAY FOR CANS**

[75] Inventors: **William P. Apps, Anaheim; Arne Lang-Ree, Manhattan Beach, both of Calif.**

[73] Assignee: **Rehrig-Pacific Company, Inc., Los Angeles, Calif.**

[**] Term: **14 Years**

[21] Appl. No.: **272,038**

[22] Filed: **Nov. 15, 1988**

[52] U.S. Cl. **D34/40**

[58] Field of Search **D34/40-46; D9/418, 432, 424; 206/509, 511, 512, 515, 518, 499, 427, 557, 566, 541, 513; 220/21, 23, 23.6, DIG. 2, 306; 211/126, 229**

4,249,671 2/1981 Crolli 220/21
 4,342,403 8/1982 Badtke et al. 220/306 X
 4,700,837 10/1987 Hammett 206/427

FOREIGN PATENT DOCUMENTS

1152038 5/1969 United Kingdom 220/21
 1182452 2/1970 United Kingdom 220/21

Primary Examiner—Melvin B. Feifer
Assistant Examiner—Prabhakar Deshmukh
Attorney, Agent, or Firm—Banner, Birch, McKie & Beckett

[57] **CLAIM**

The ornamental design for a stackable tray for cans, as shown and described.

DESCRIPTION

FIG. 1 is a top perspective view of a stackable tray for cans showing our new design;
 FIG. 2 is a bottom perspective view thereof;
 FIG. 3 is a top plan view thereof;
 FIG. 4 is a bottom plan view thereof;
 FIG. 5 is a right side elevation thereof, the left side elevation being a mirror image;
 FIG. 6 is a front elevation thereof, the rear elevation being a mirror image thereof;
 FIG. 7 is a top perspective view of a modified form of FIG. 1;
 FIG. 8 is a bottom perspective view of FIG. 7;
 FIG. 9 is a top plan view of FIG. 7;
 FIG. 10 is a bottom plan view of FIG. 7;
 FIG. 11 is a right side elevation of FIG. 7, the left side elevation being a mirror image; and
 FIG. 12 is a front elevation of FIG. 7, the rear elevation being a mirror image.

[56] **References Cited**
U.S. PATENT DOCUMENTS

D. 244,486	5/1977	Jonson et al.	D34/43
D. 247,652	3/1978	Carroll et al.	D34/43
D. 284,841	7/1986	Rowland et al.	D34/40
D. 291,178	8/1987	Toms	D9/424 X
3,009,579	11/1961	Ettlinger, Jr.	211/71
3,155,268	11/1964	Fogerty et al.	220/21
3,333,727	8/1967	Belcher et al.	220/97
3,347,405	10/1967	Motsenbocker et al.	220/21
3,349,943	10/1967	Box	220/21
3,391,814	7/1968	Box	220/21
3,391,815	7/1968	Box	220/21
3,428,207	2/1969	Schoeller	220/21
3,517,852	6/1970	Schoeller	220/21
3,949,876	4/1976	Bridges et al.	206/427
4,161,259	7/1979	Palafox	220/21

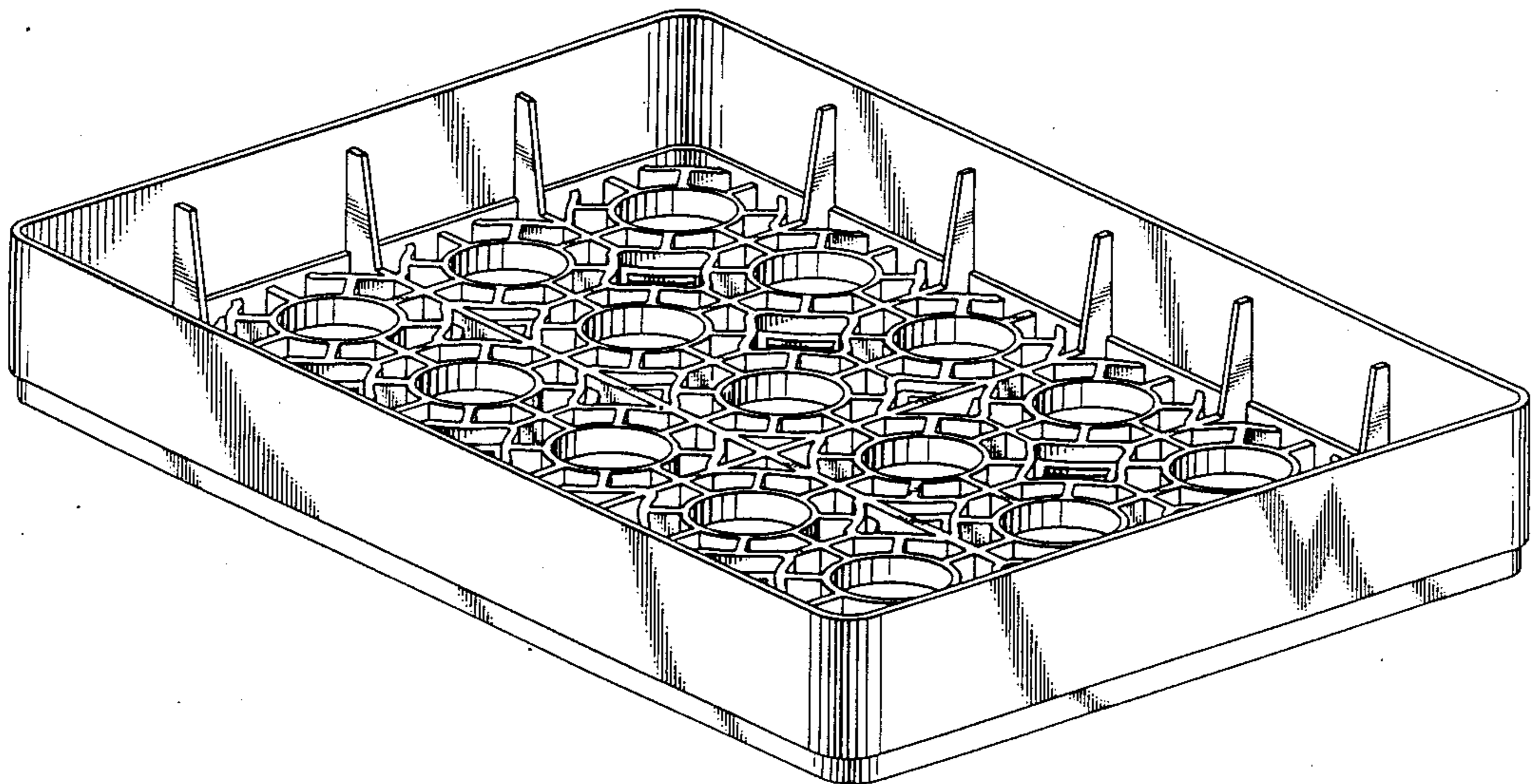
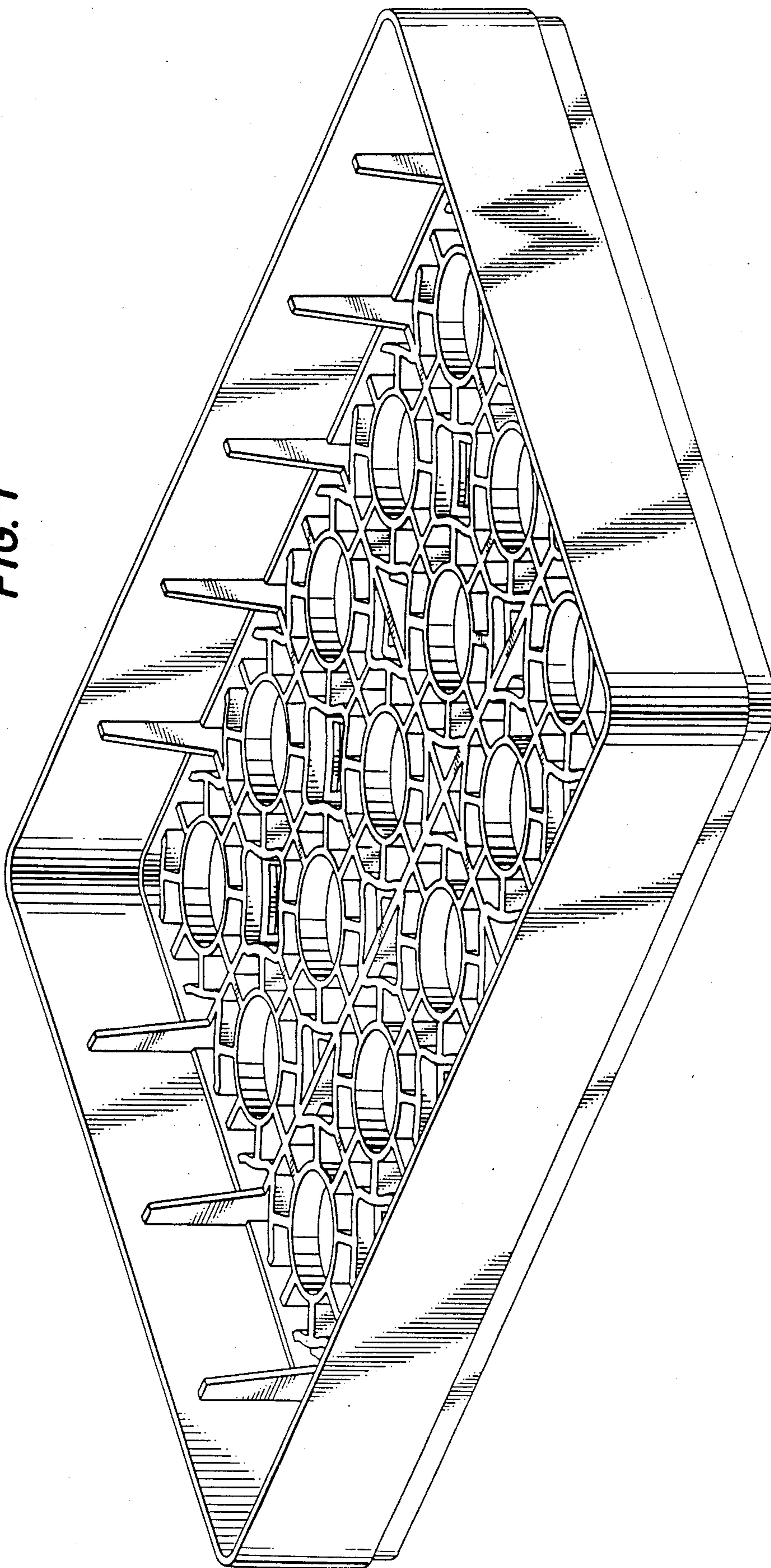


FIG. 1



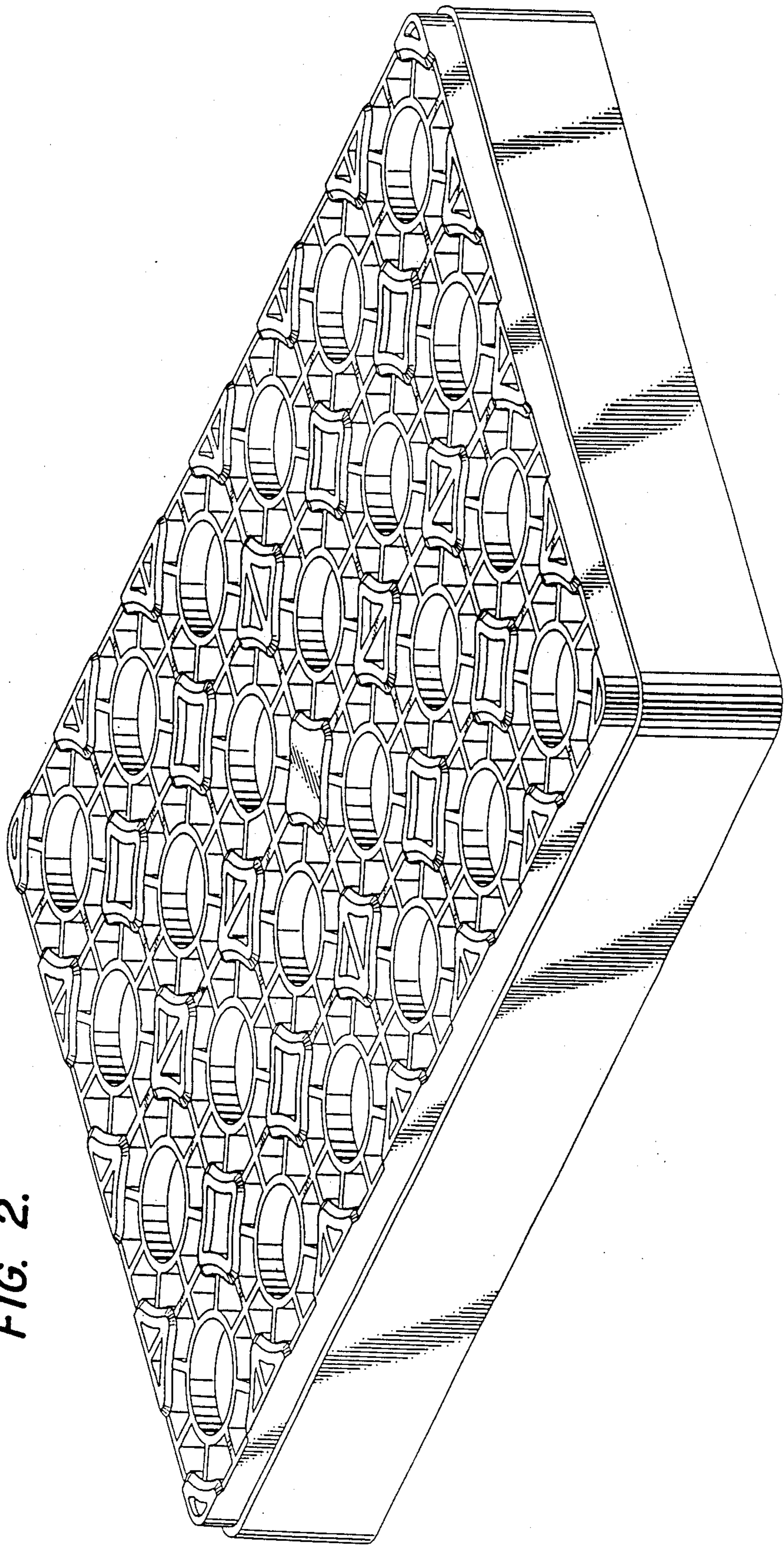


FIG. 2.

FIG. 3.

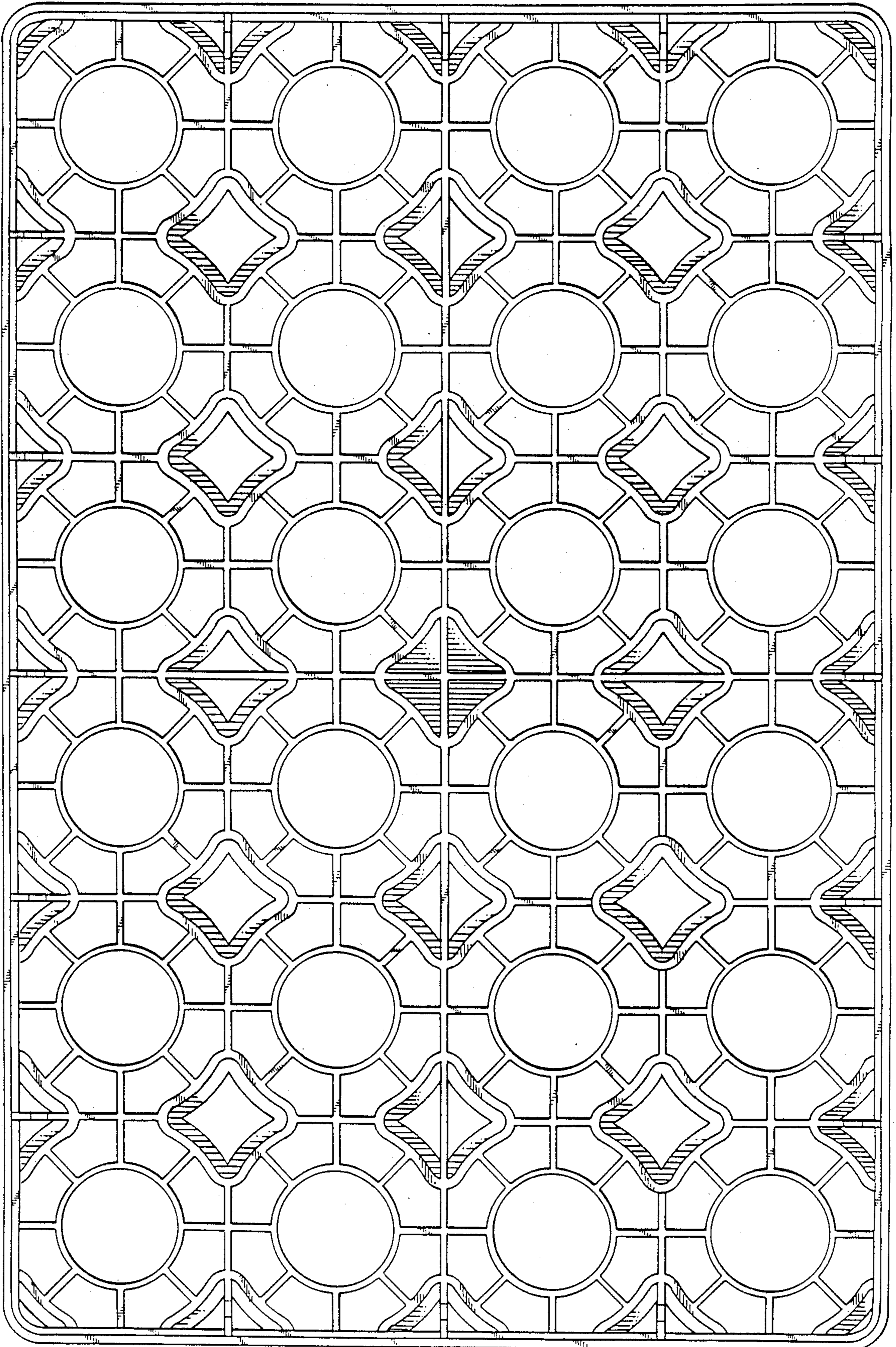


FIG. 4

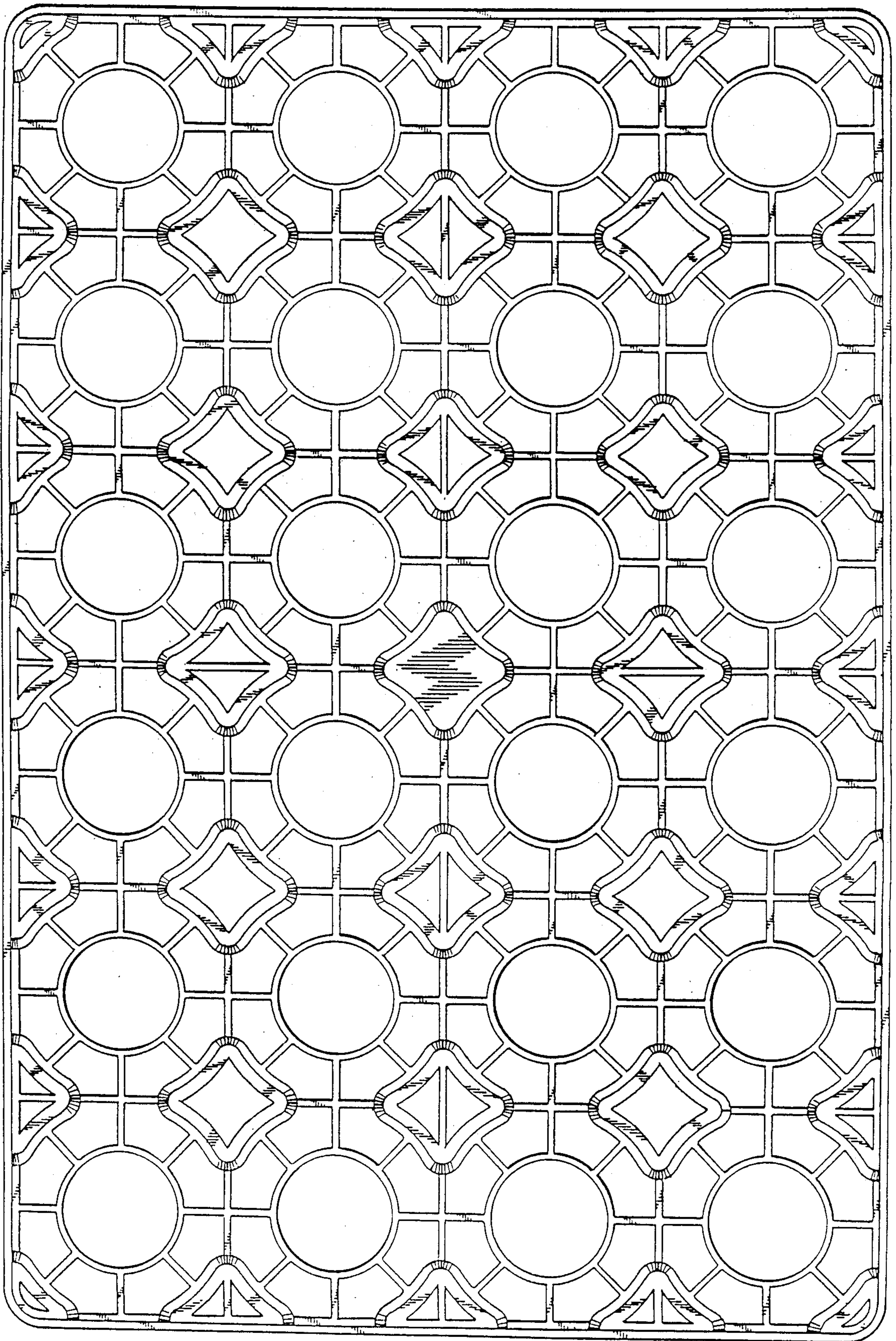


FIG. 5

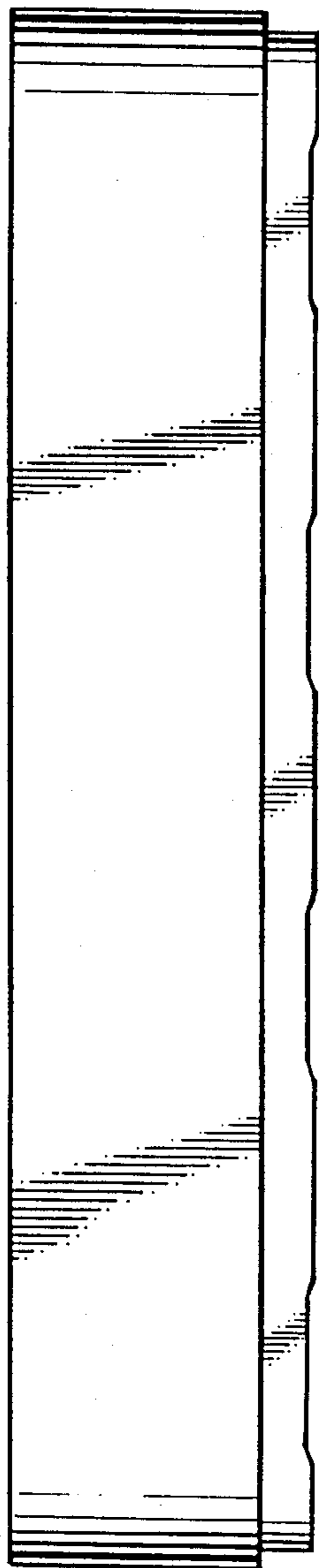


FIG. 6

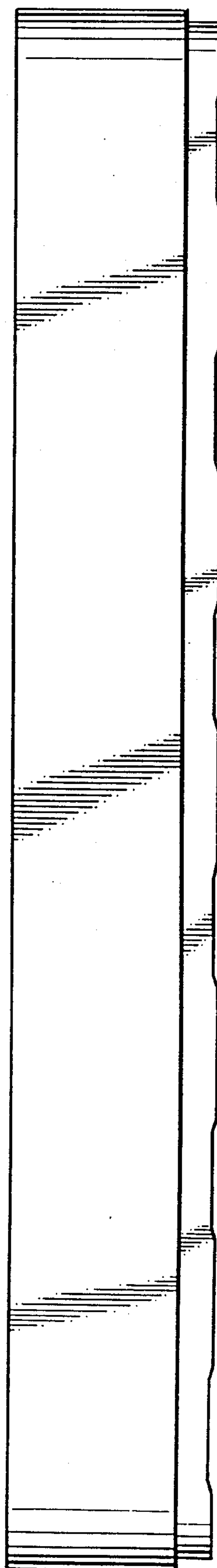
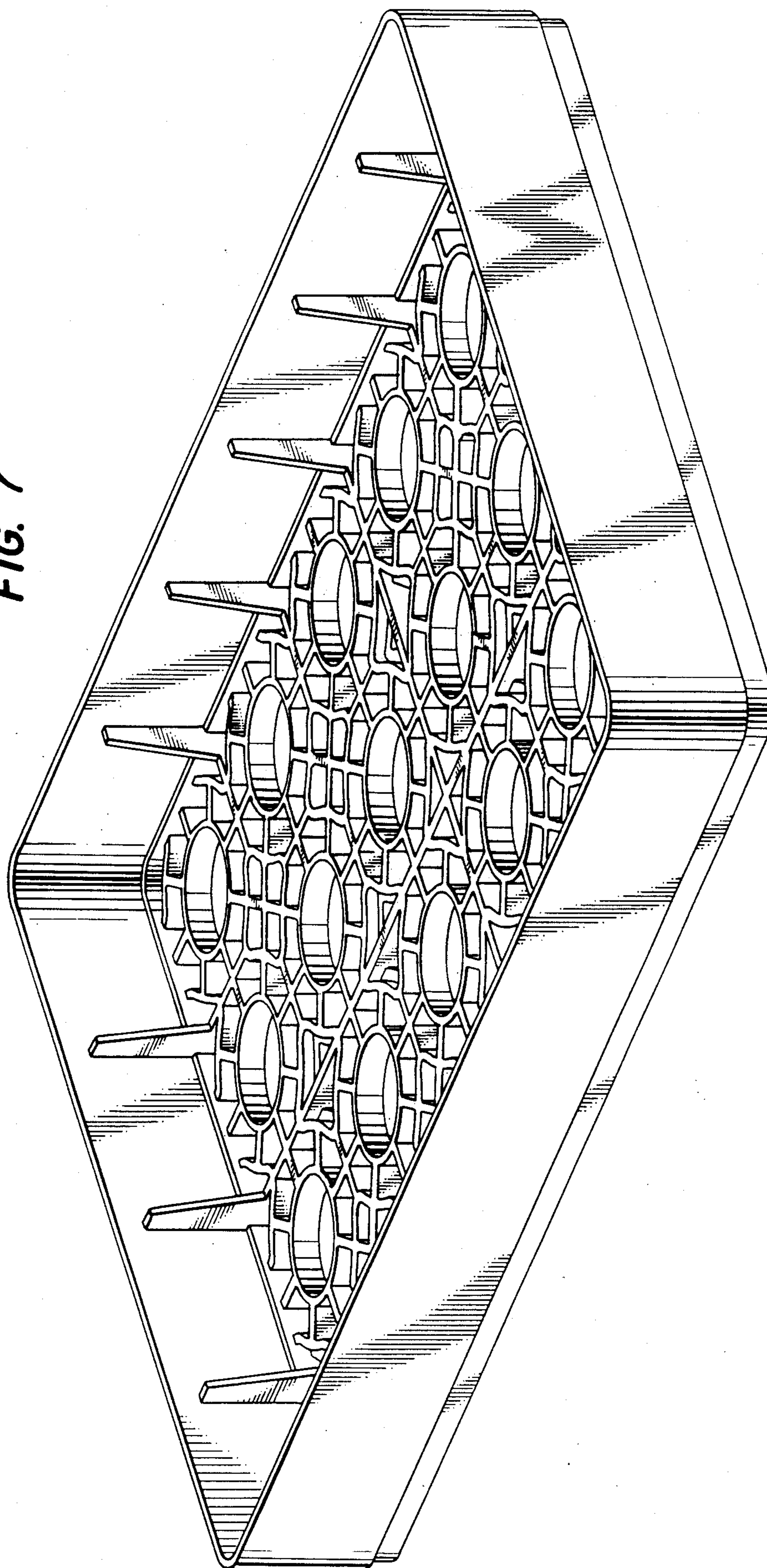


FIG. 7



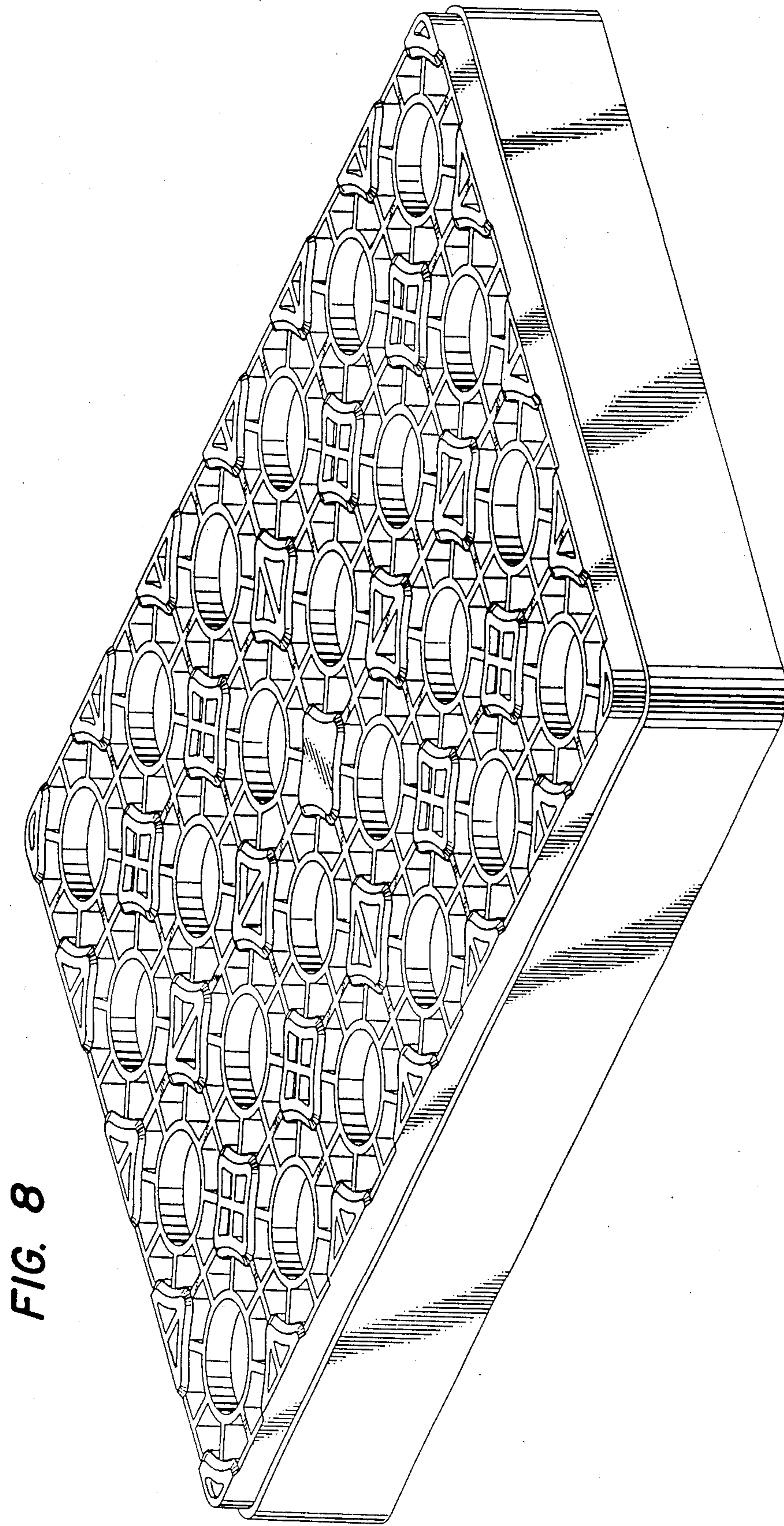


FIG. 8

FIG. 9

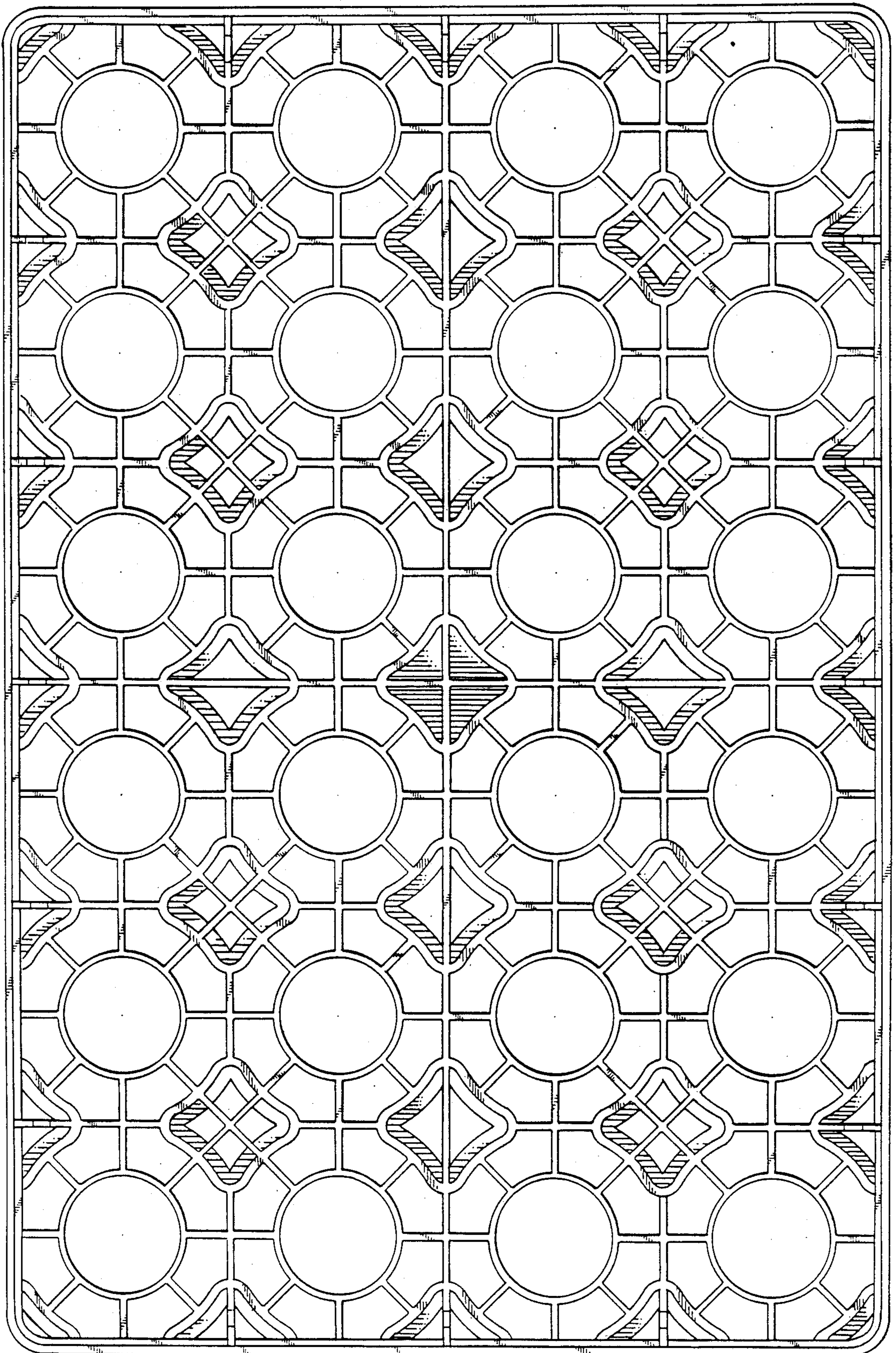


FIG. 10

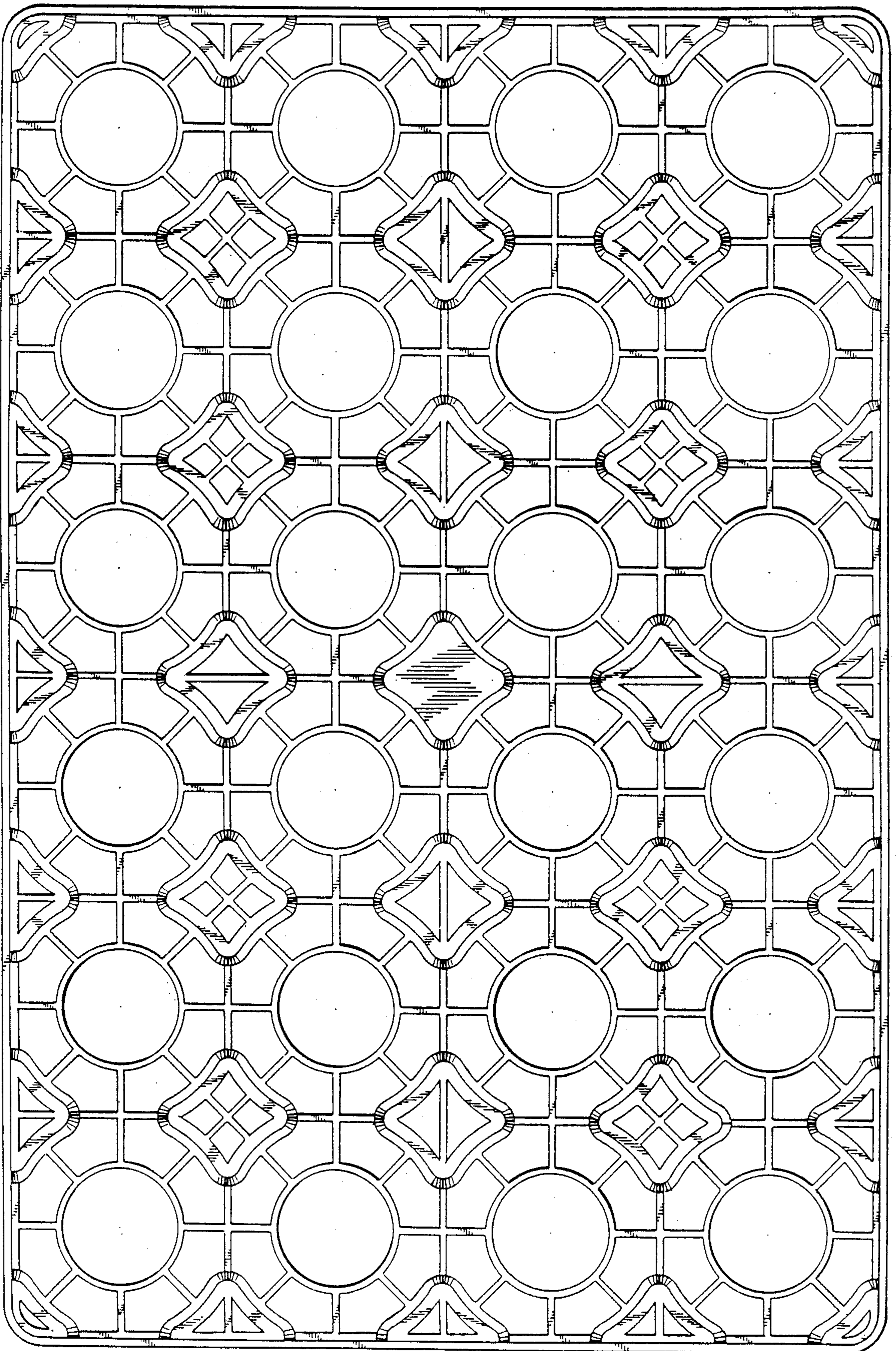


FIG. 11

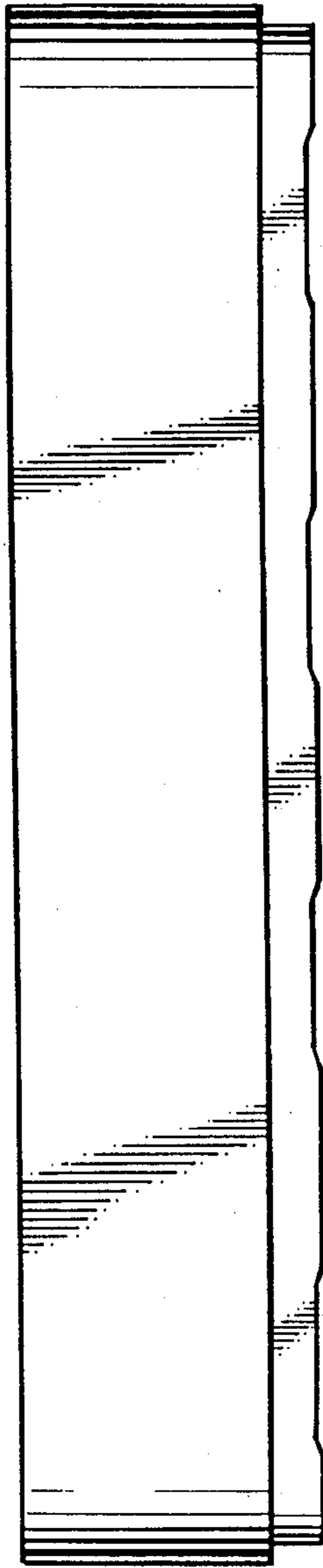


FIG. 12

