

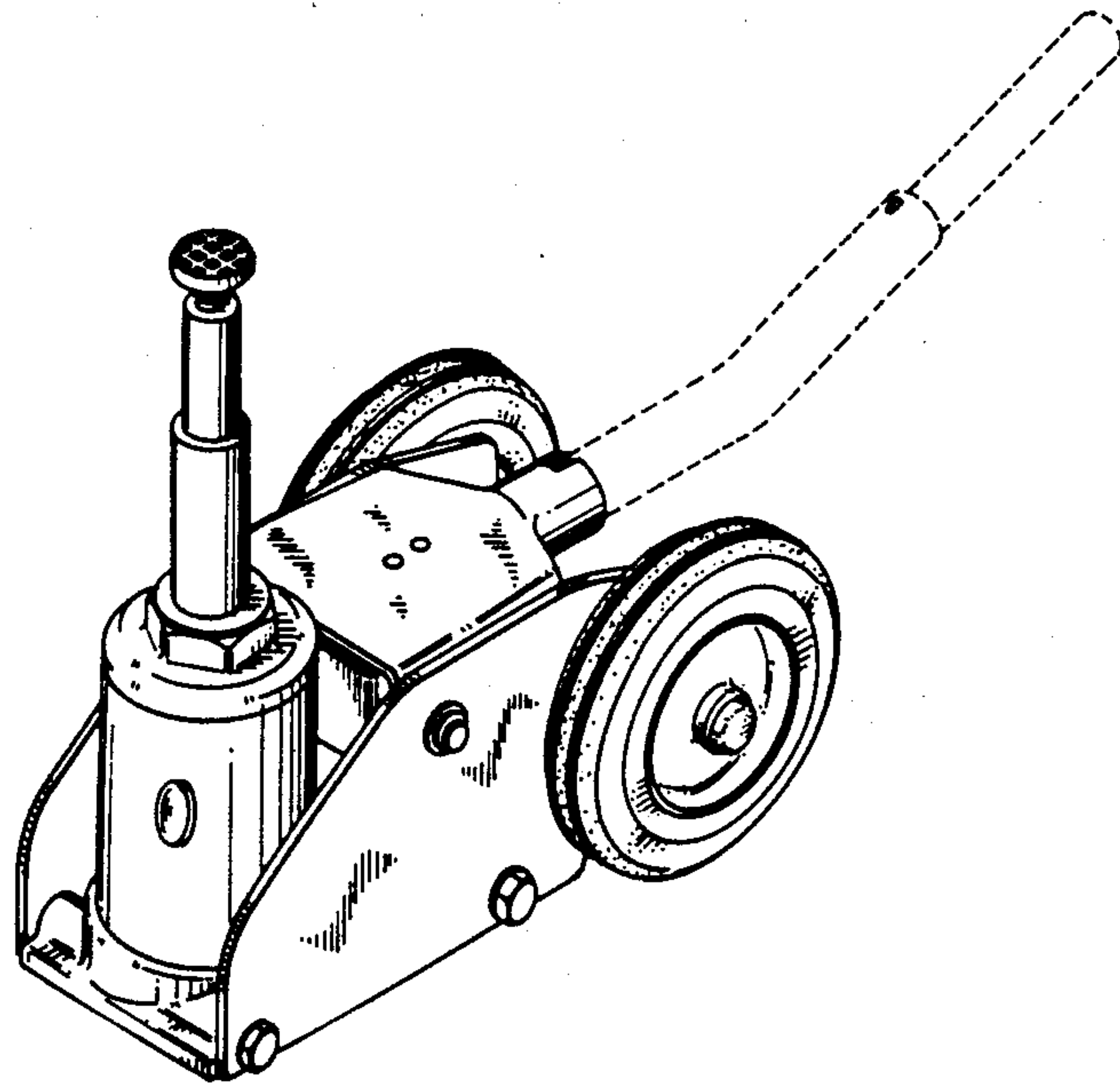
[54] **HYDRAULIC JACK**  
[76] **Inventor: Michael Hung, 11th Fl., 624, Ming Chuan East Road, Taipei, Taiwan**  
[\*\*] **Term: 14 Years**  
[21] **Appl. No.: 280,996**  
[22] **Filed: Dec. 7, 1988**  
[52] **U.S. Cl. .... D34/31**  
[58] **Field of Search ..... D34/31, 28; 254/8 B, 254/2 B, 10 B, 93 H**

[56] **References Cited**  
**U.S. PATENT DOCUMENTS**  
D. 284,417 6/1986 Yamagishi ..... D34/31  
D. 285,138 8/1986 Yamagishi ..... D34/31  
D. 296,598 7/1988 Hung ..... D34/31  
**FOREIGN PATENT DOCUMENTS**  
2108924 5/1983 United Kingdom ..... 254/93 H  
2161137 1/1986 United Kingdom ..... 254/8 B

*Primary Examiner—Kay H. Chin*  
*Attorney, Agent, or Firm—Ladas & Parry*

[57] **CLAIM**  
The ornamental design for a hydraulic jack, as shown and described.

**DESCRIPTION**  
FIG. 1 is a top and front perspective view of a hydraulic jack showing my new design;  
FIG. 2 is a front elevational view thereof;  
FIG. 3 is a rear elevational view thereof;  
FIG. 4 is a top plan view thereof;  
FIG. 5 is a bottom plan view thereof;  
FIG. 6 is a side elevational view thereof, the opposite side elevational view being a mirror image of that shown; and  
FIG. 7 is a top perspective view thereof showing the jack in use.  
The broken lines are for illustrative purposes only and form no part of the claimed design.



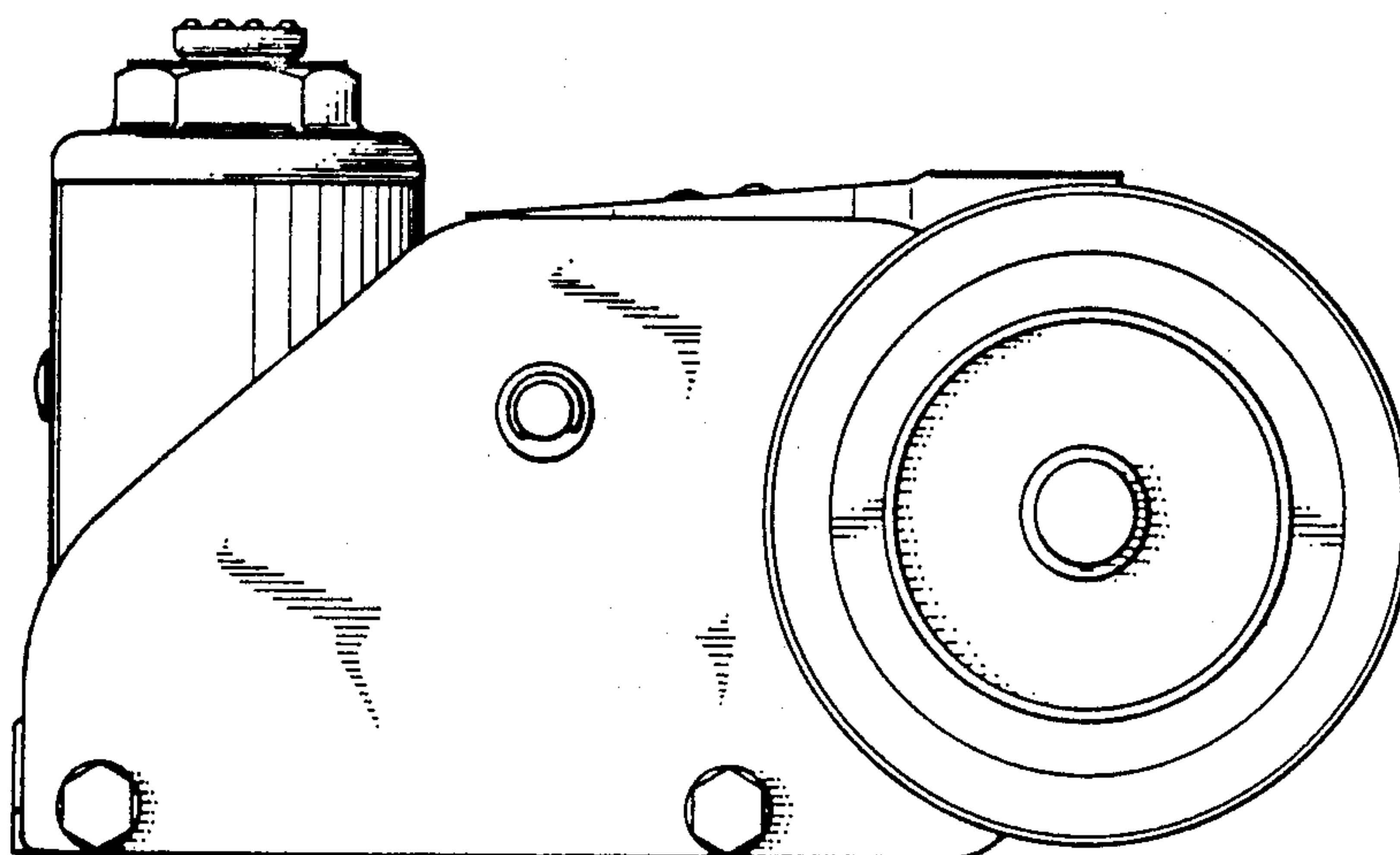


FIG. 6

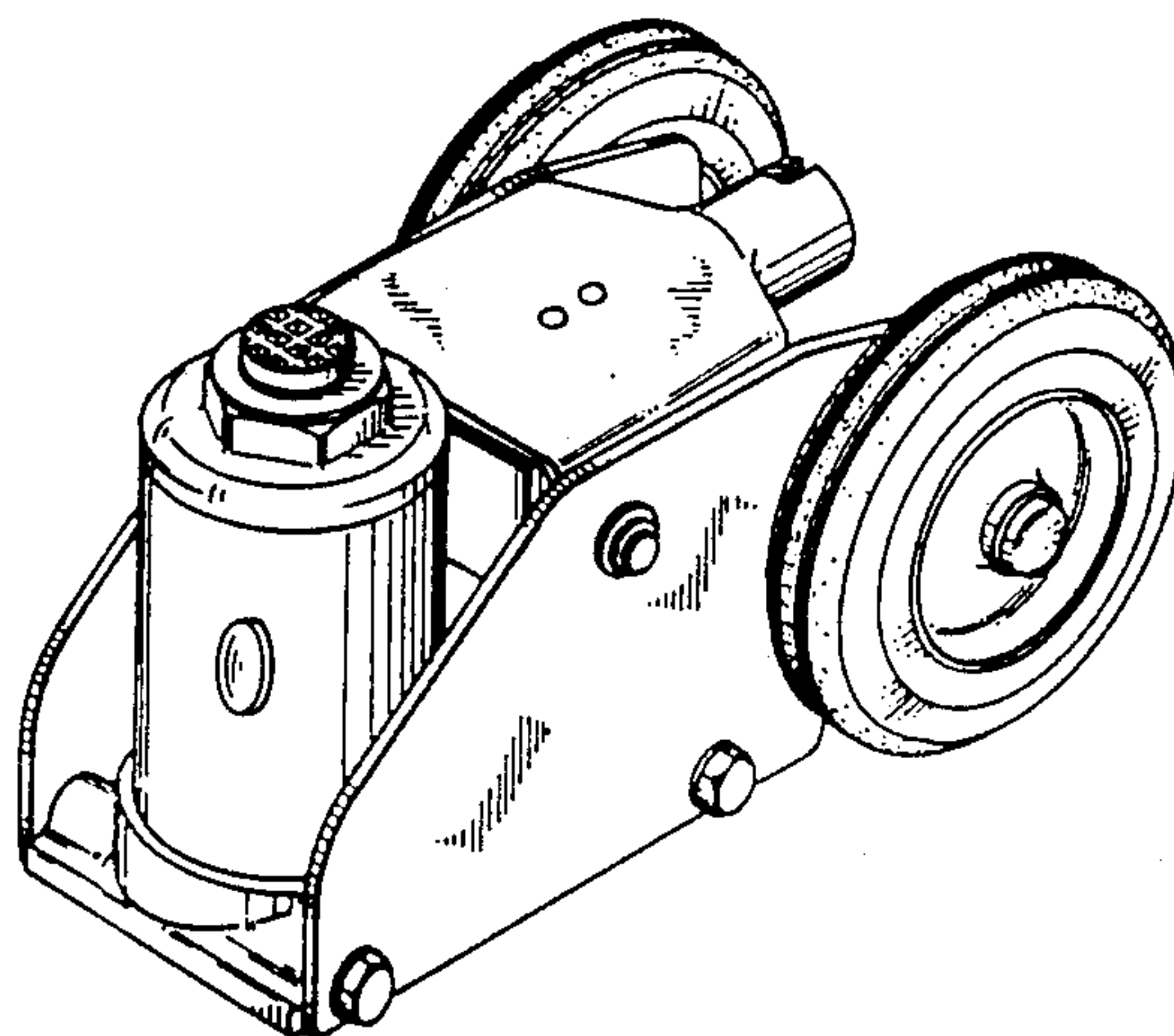


FIG. 1

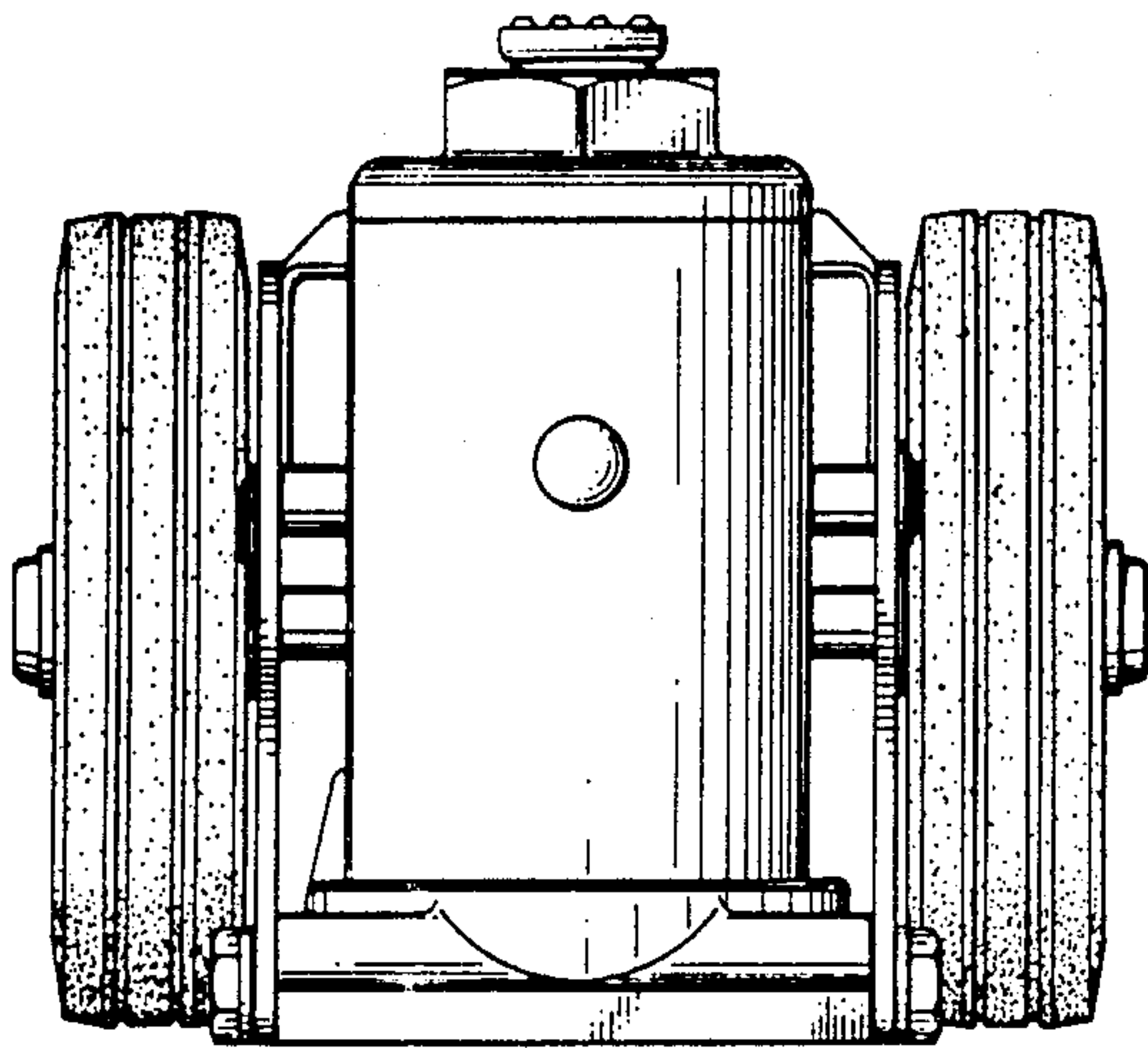


FIG. 2

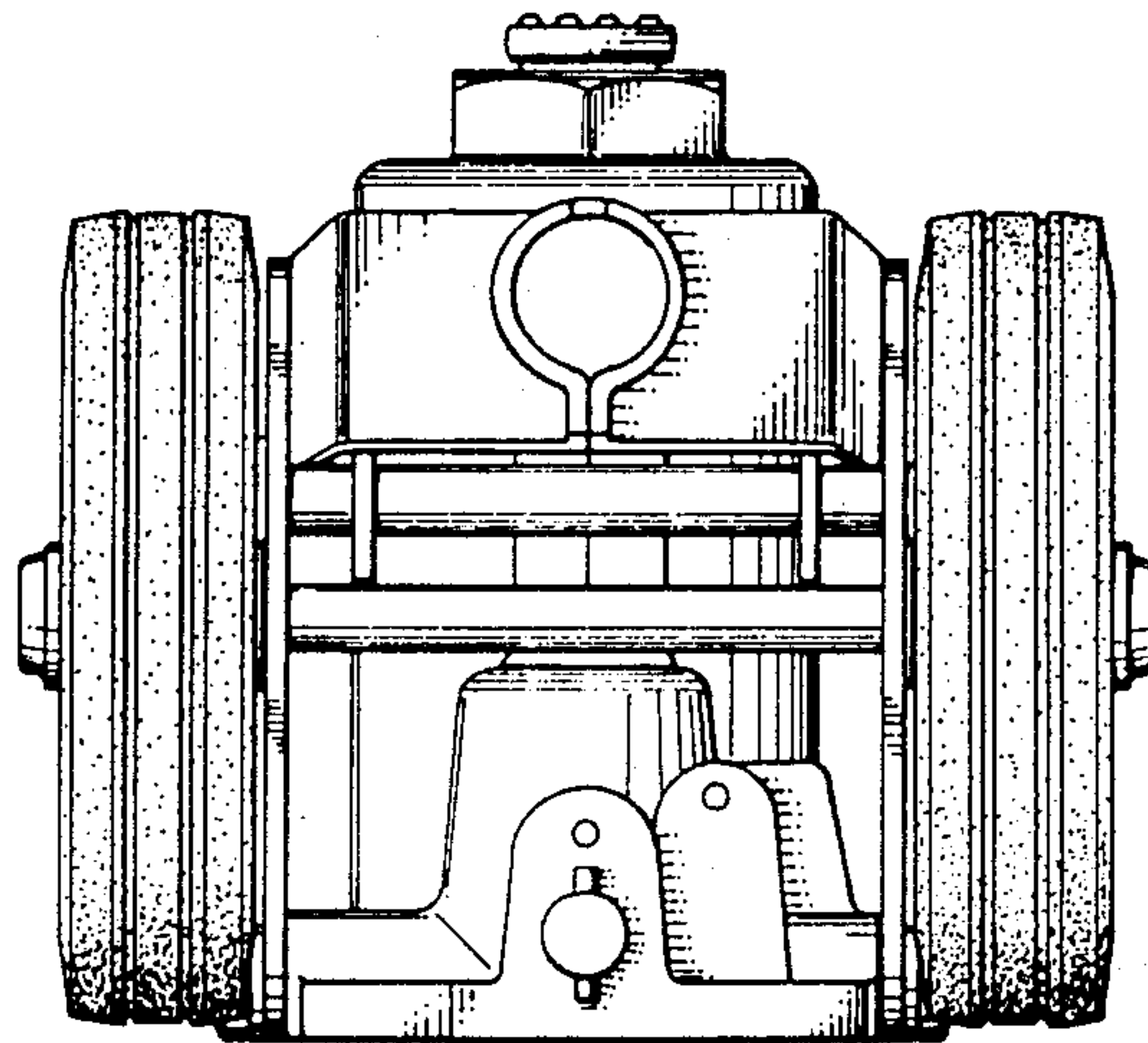


FIG. 3

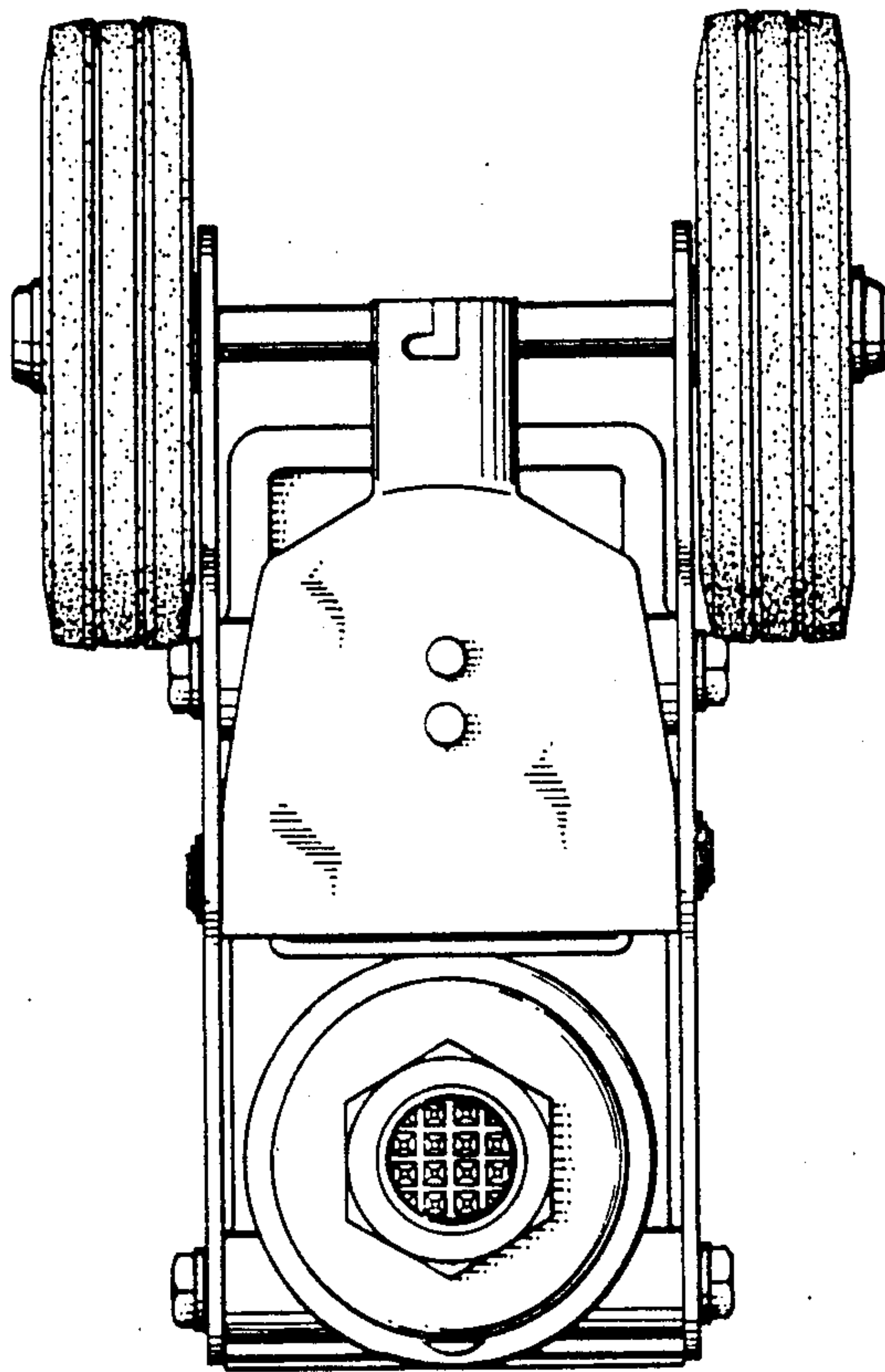


FIG. 4

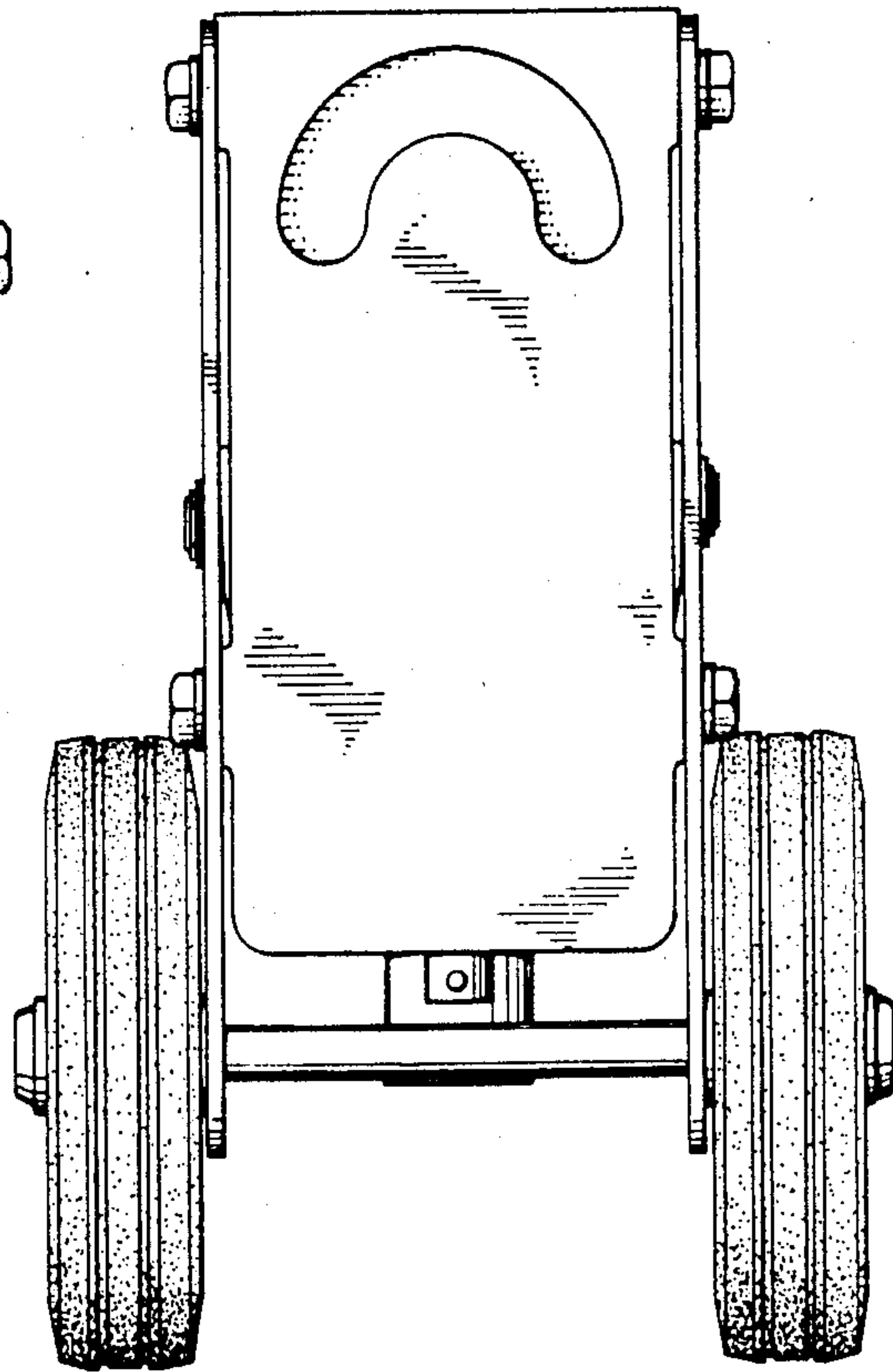


FIG. 5

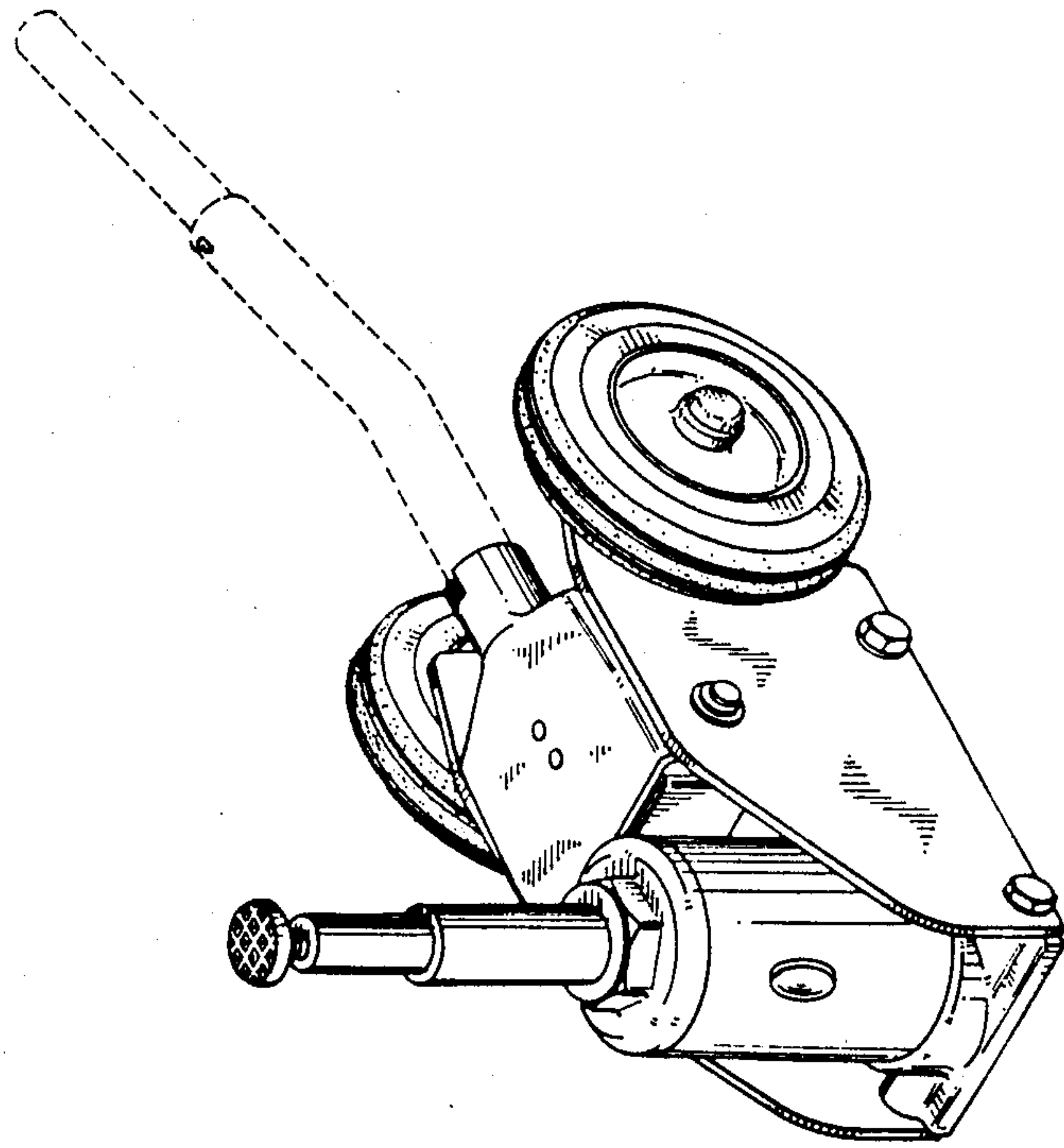


FIG. 7