

[54] **EXTERIOR LUMINAIRE OR SIMILAR ARTICLE**

[76] **Inventor: W. Richard Blake, 604 Ferncliff La., Hendersonville, N.C. 28739**

[**] **Term: 14 Years**

[21] **Appl. No.: 115,809**

[22] **Filed: Nov. 2, 1987**

[52] **U.S. Cl. D26/71; D26/92**

[58] **Field of Search D26/67-71, D26/72, 80-92; 362/431, 432, 267, 147, 362**

[56] **References Cited**

U.S. PATENT DOCUMENTS

D. 206,676	1/1967	Walz	D26/87
D. 264,135	4/1982	Zwillich et al.	D26/71
D. 302,047	7/1989	Flannery et al.	D26/71
4,426,676	1/1984	Taylor	362/431 X

OTHER PUBLICATIONS

North Star's "Guide to Innovative Lighting", 1-1986, p. 2, Section 4, Wall Mounted Luminaire.

Primary Examiner—Susan J. Lucas

[57] **CLAIM**

The ornamental design for an exterior luminaire or similar article, as shown and described.

DESCRIPTION

FIG. 1 is a top, front perspective view of an exterior luminaire or similar article showing my new design, the refractor being shown in broken lines for illustrative purposes only;

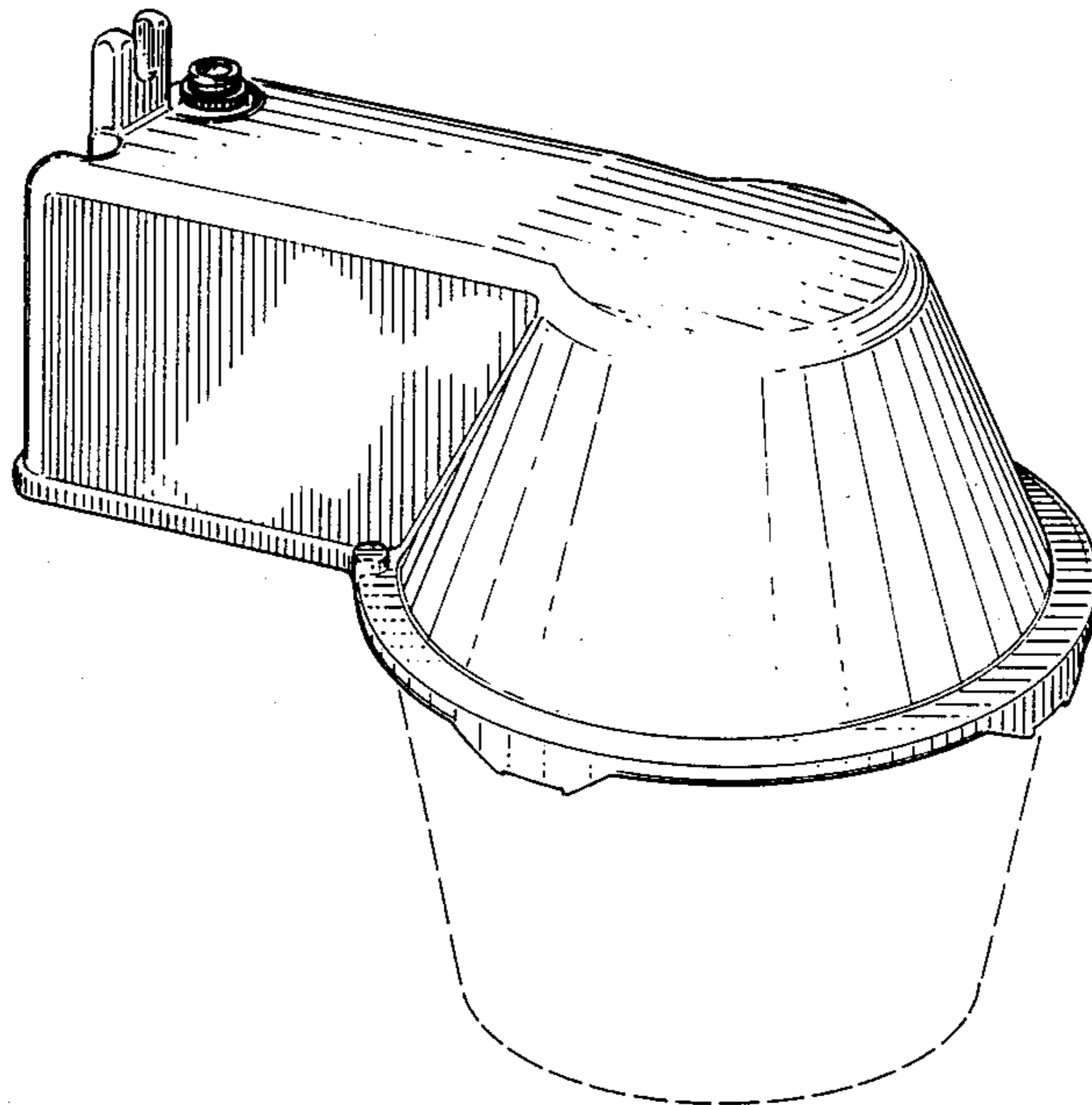
FIG. 2 is a top plan view thereof;

FIG. 3 is a side elevation view thereof, the opposite side being a mirror image;

FIG. 4 is a bottom plan view thereof;

FIG. 5 is a front elevation view thereof.

FIG. 6 is rear elevation view thereof.



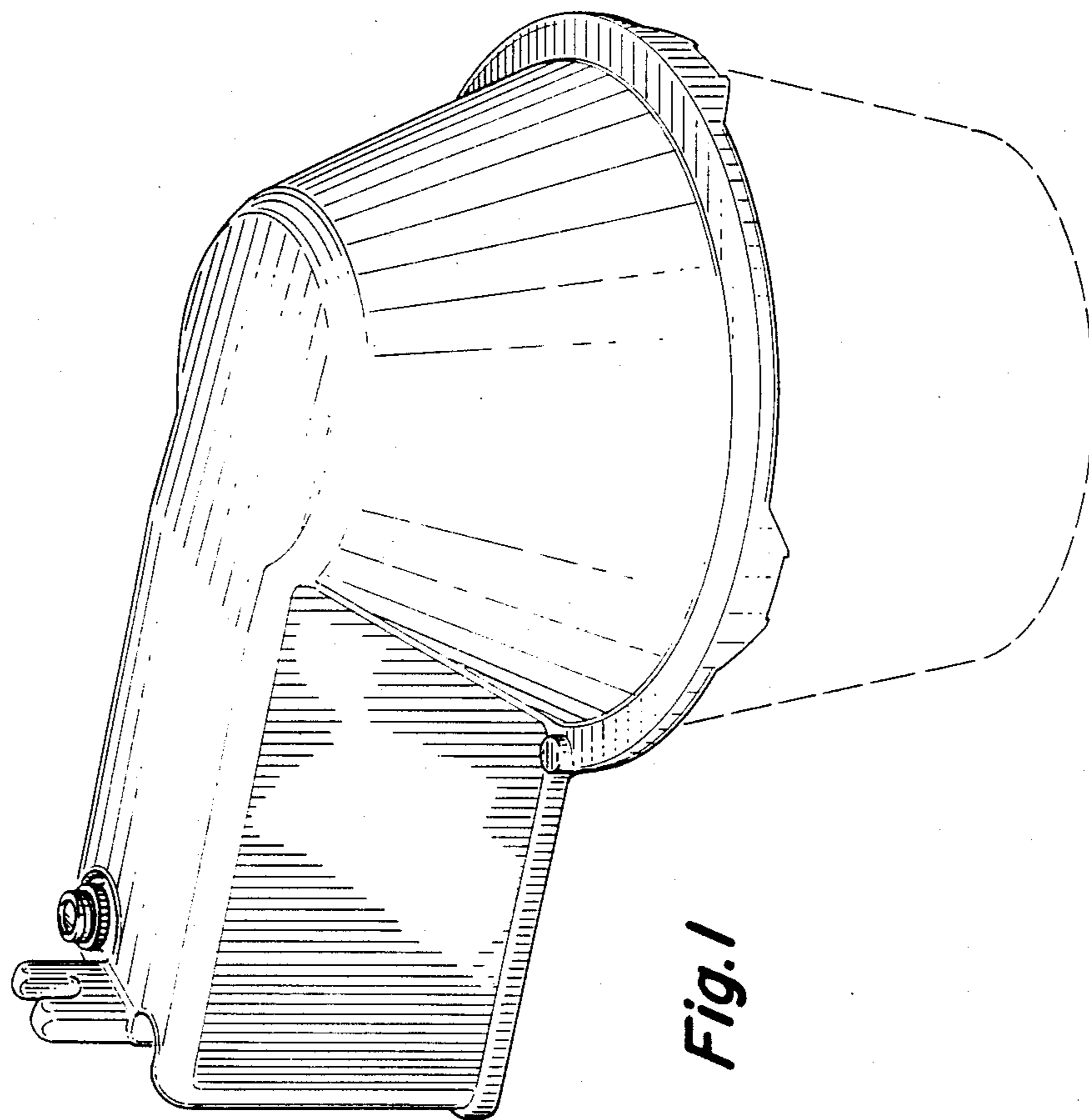


Fig. 1

Fig. 2

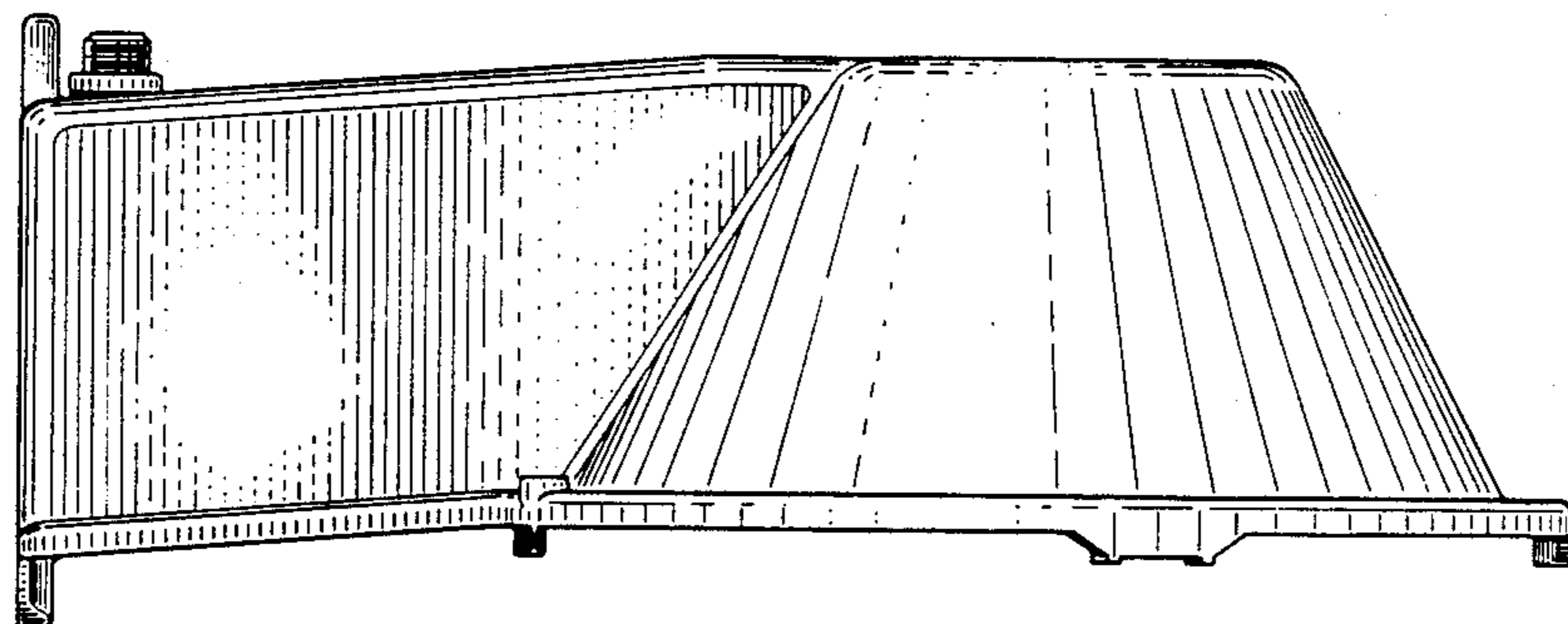
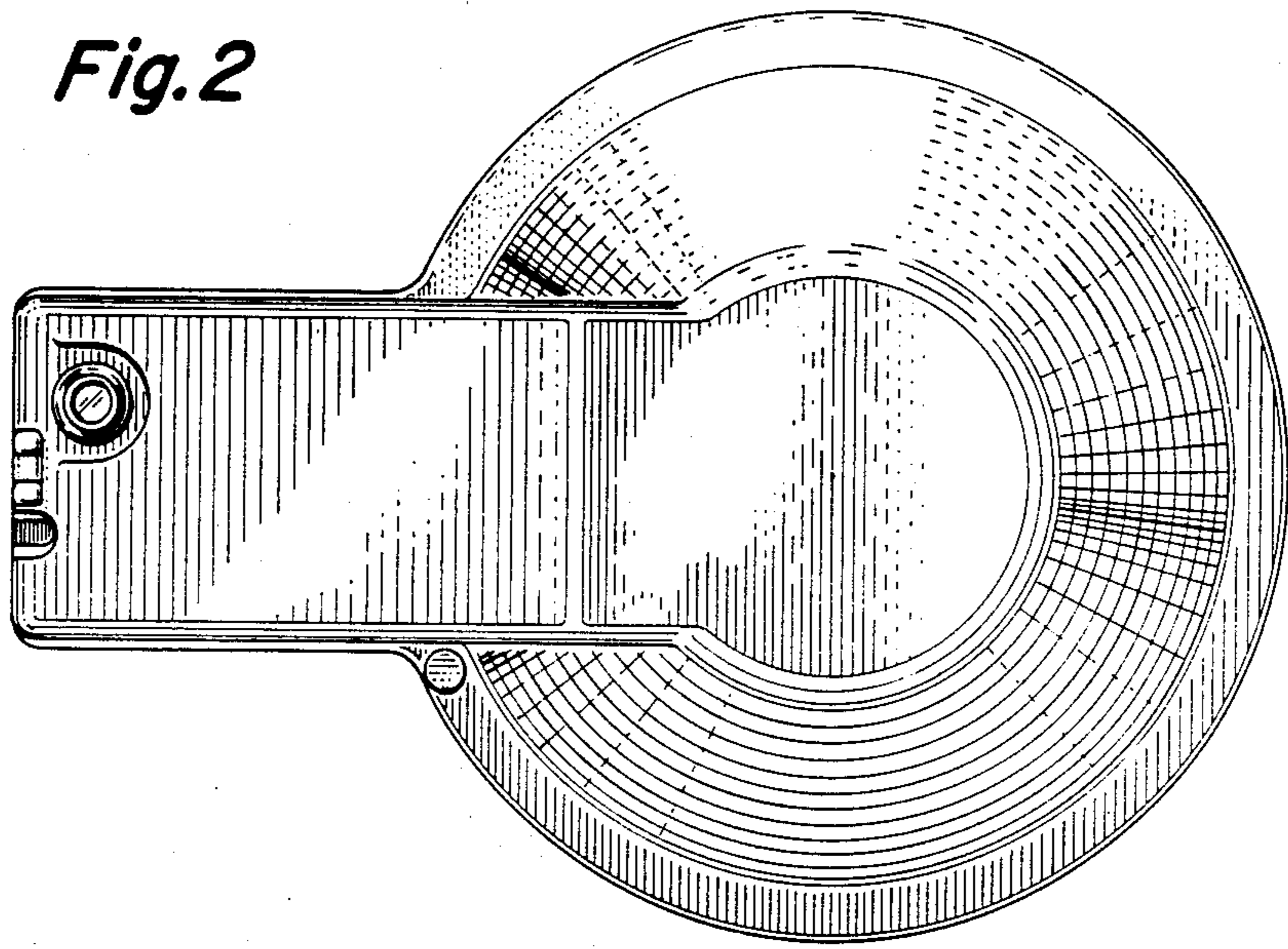


Fig. 3

Fig. 4

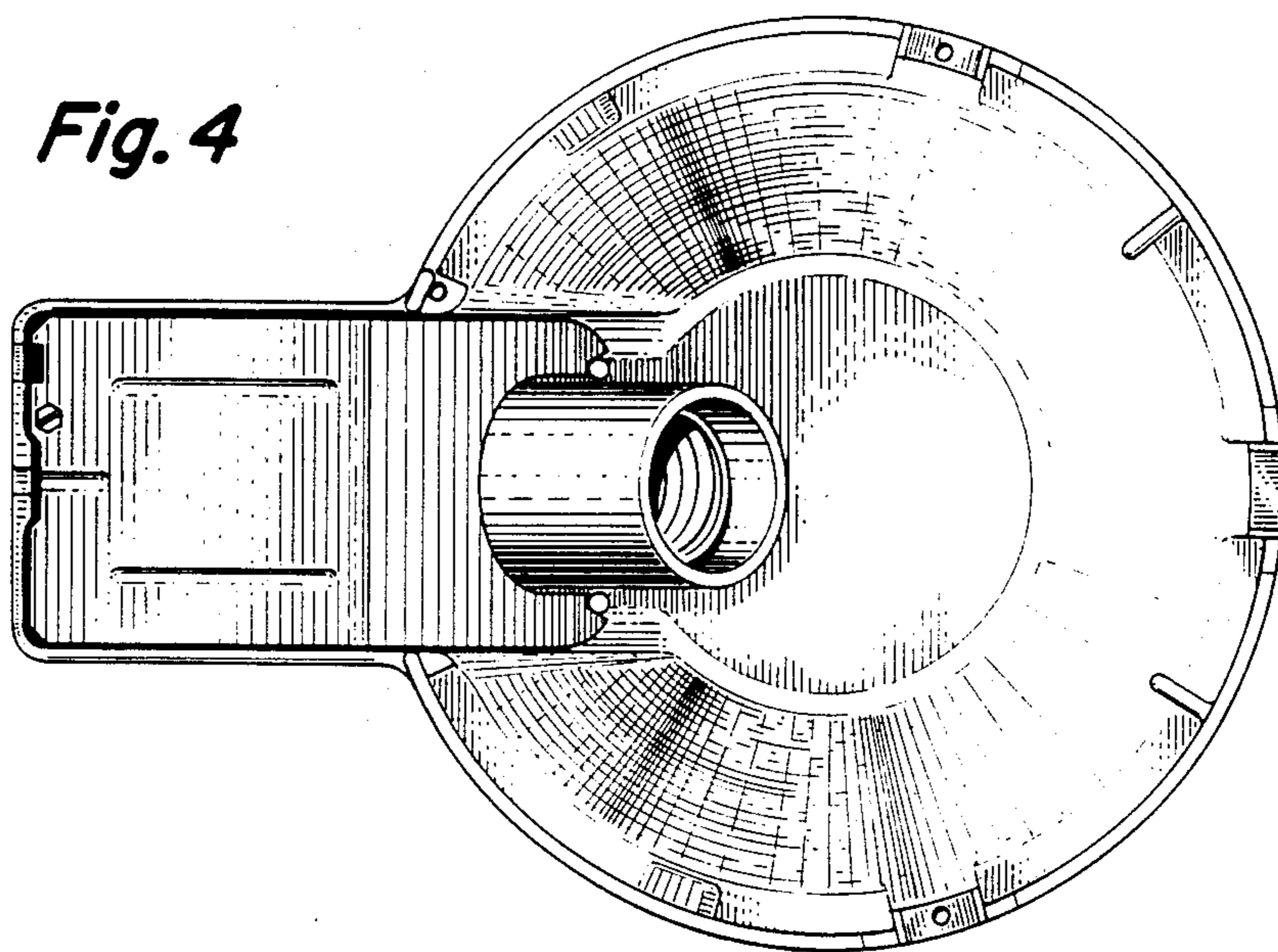


Fig. 5

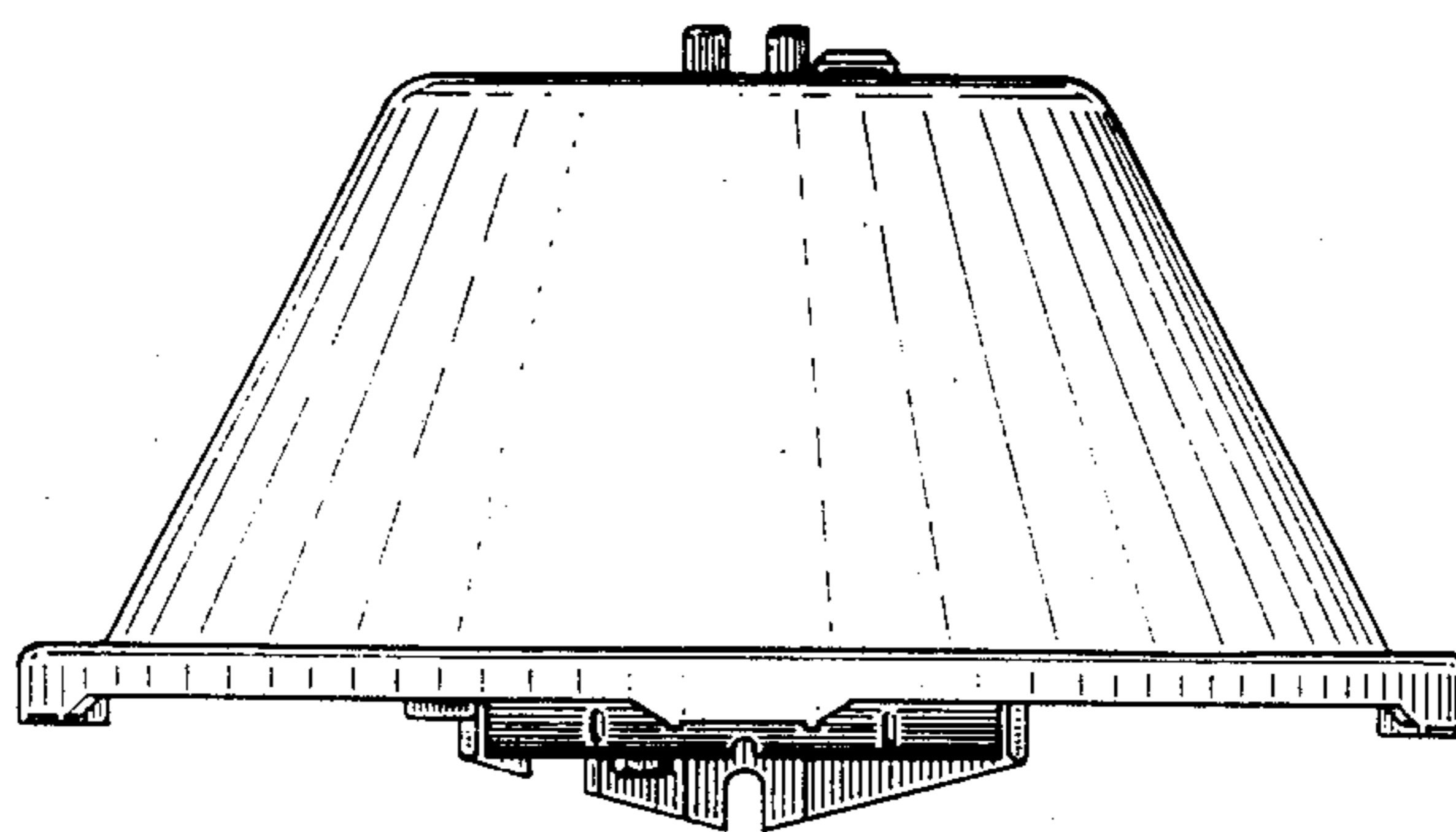


Fig. 6

