

[54] **SHOWER DOOR WALL FRAME
EXTENSION MEMBER**

[75] **Inventor: John Whitney, Victoria, Australia**

[73] **Assignee: Dowell Australia Limited, Victoria,
Australia**

[**] **Term: 14 Years**

[21] **Appl. No.: 83,085**

[22] **Filed: Aug. 10, 1987**

[30] **Foreign Application Priority Data**

Feb. 10, 1987 [AU] Australia 0411/87
[52] **U.S. Cl. D25/119**
[58] **Field of Search D25/47, 52, 60, 119,
D25/124, 53, 48; 49/501, 504; DIG. 1, 112;
52/730, 732, 738, 204, 729, 823**

[56] **References Cited**

U.S. PATENT DOCUMENTS
1,002,228 9/1911 Crittall 52/732

OTHER PUBLICATIONS

Sweet's Publication ©1981 10.16/Kev p. 2 center right
of p. Classis-Extruded Aluminum Channel Frame.
Sweet's Publicaiton ©1981 Door Bottom Seal Section
p. 26 2nd from Top Extreme Right #14 14RDKB
Alum. Dark Bronze Finish.

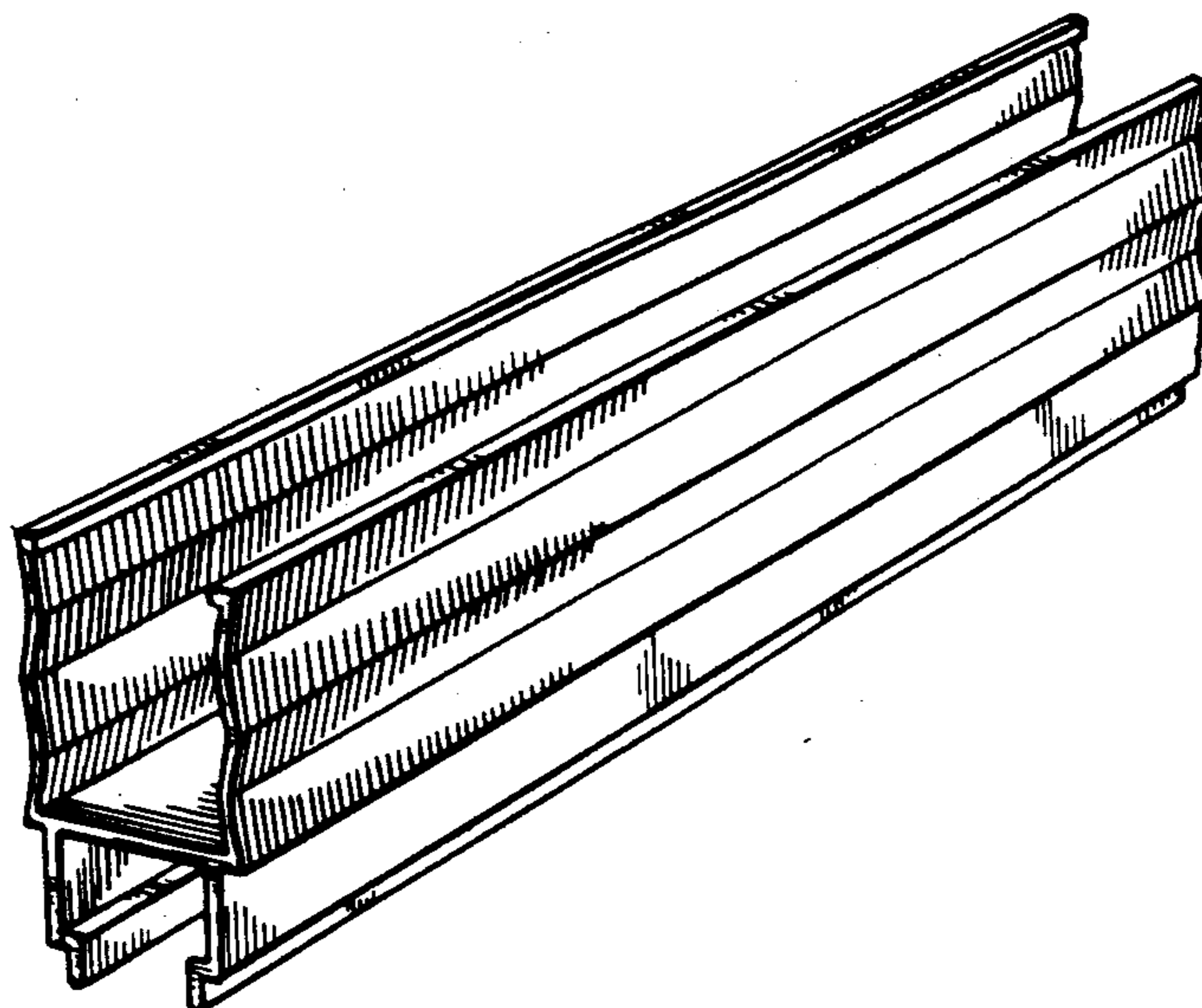
Primary Examiner—A. Hugo Word
Assistant Examiner—Doris Clark
Attorney, Agent, or Firm—Foley & Lardner, Schwartz,
Jeffery, Schwaab, Mack, Blumenthal & Evans

[57] **CLAIM**

The ornamental design for a shower door wall frame
extension member, as shown and described.

DESCRIPTION

FIG. 1 is a top, front perspective view of a shower door
wall frame extension member showing my new design,
the extension member being of indeterminate length;
FIG. 2 is a bottom, rear perspective view thereof; and
FIG. 3 is an end elevational view thereof.
The shower door wall frame extension member is a
continuous piece cut to the desired length. The front
and rear perspective views comprising FIGS. 1 and 2
and the end view of FIG. 3 are accordingly believed to
completely disclose the design.



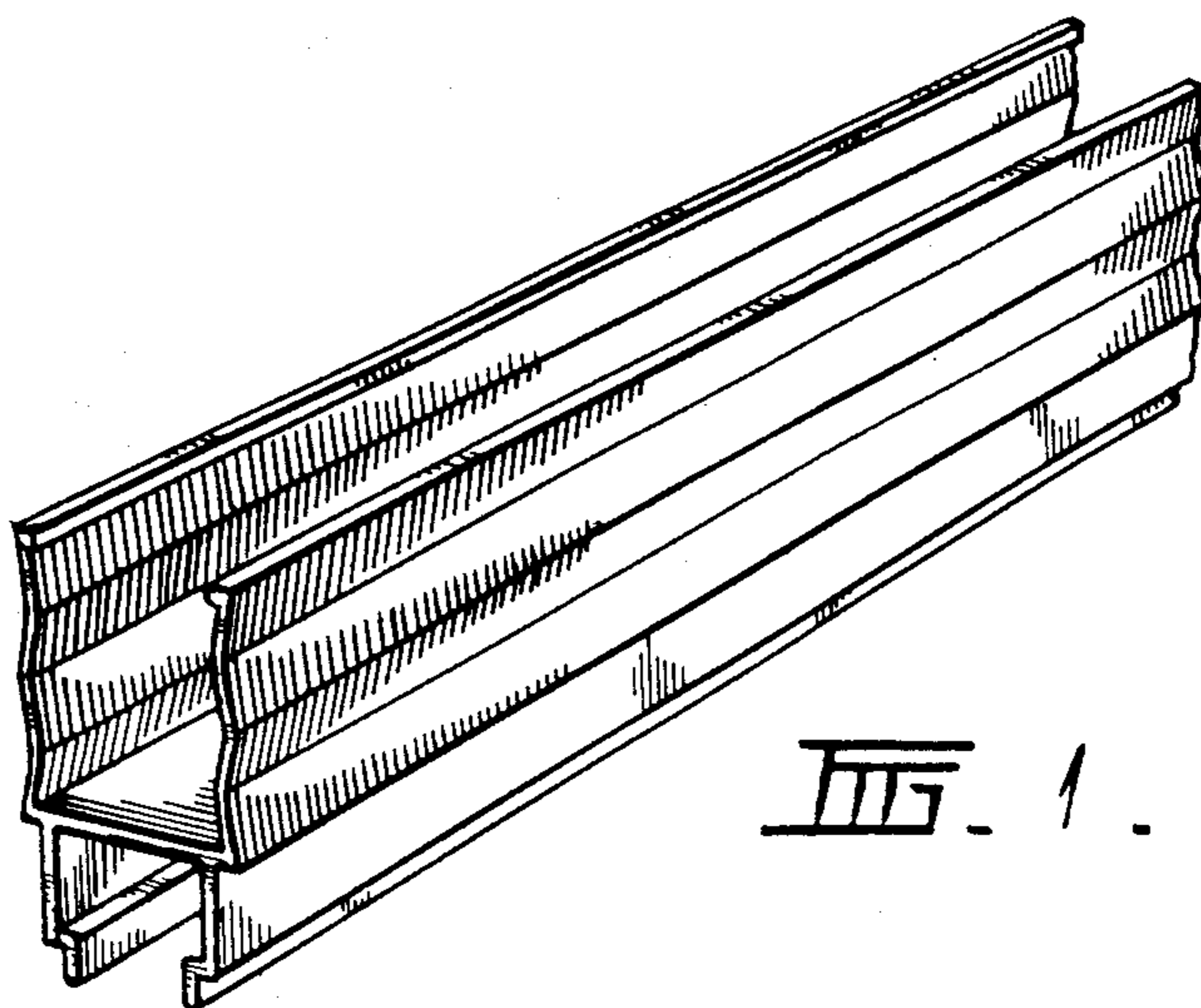


FIG. 1.

FIG. 3.

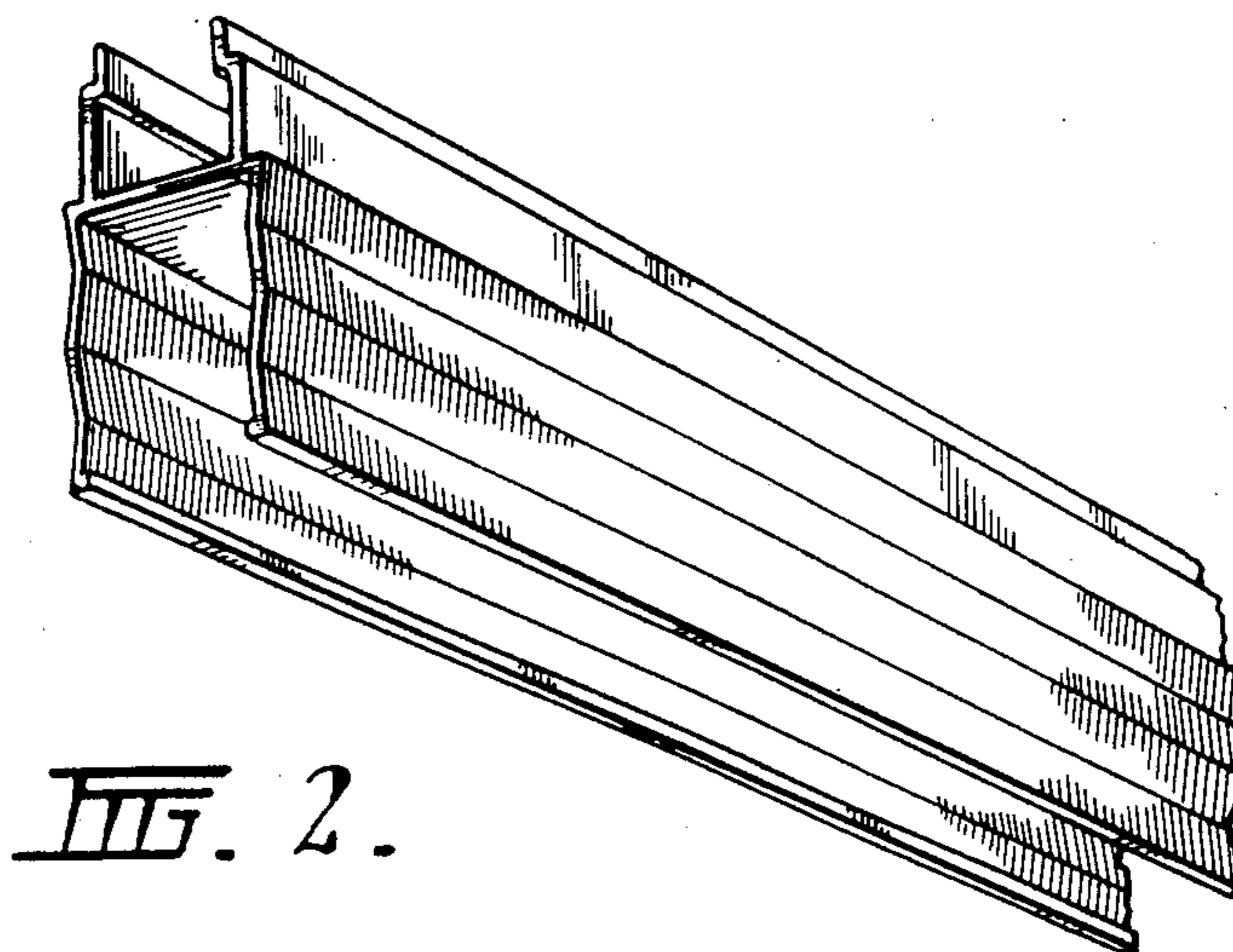
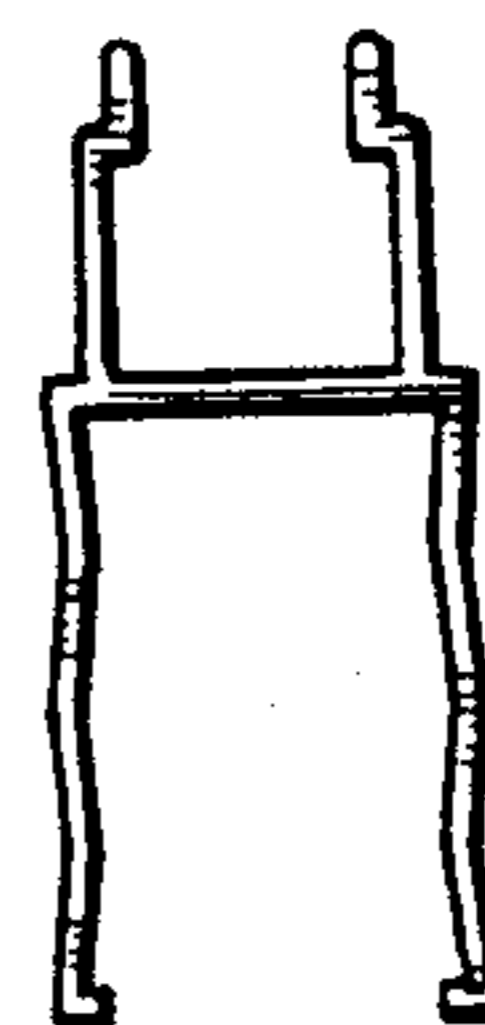


FIG. 2.