

United States Patent [19]

Pierce

[11] Patent Number: Des. 313,472

[45] Date of Patent: ** Jan. 1, 1991

[54] BABY BOTTLE HOLDER

[76] Inventor: Walter W. Pierce, Rte. 2 Box 192 B,
Bogalusa, La. 70427

[**] Term: 14 Years

[21] Appl. No.: 157,527

[22] Filed: Feb. 19, 1988

[52] U.S. Cl. D24/48

[58] Field of Search D24/48; 248/102-107

[56] References Cited

U.S. PATENT DOCUMENTS

2,015,280	9/1935	Morishita	248/103	X
2,499,930	3/1950	Seiger	248/103	
4,034,945	7/1977	Sato	248/106	X

Primary Examiner—A. Hugo Word

Assistant Examiner—Stella M. Reid

Attorney, Agent, or Firm—Jerry T. Kearns

[57] CLAIM

The ornamental design for a baby bottle holder, as shown and described.

DESCRIPTION

FIG. 1 is a front elevational view of a baby bottle holder showing my new design;

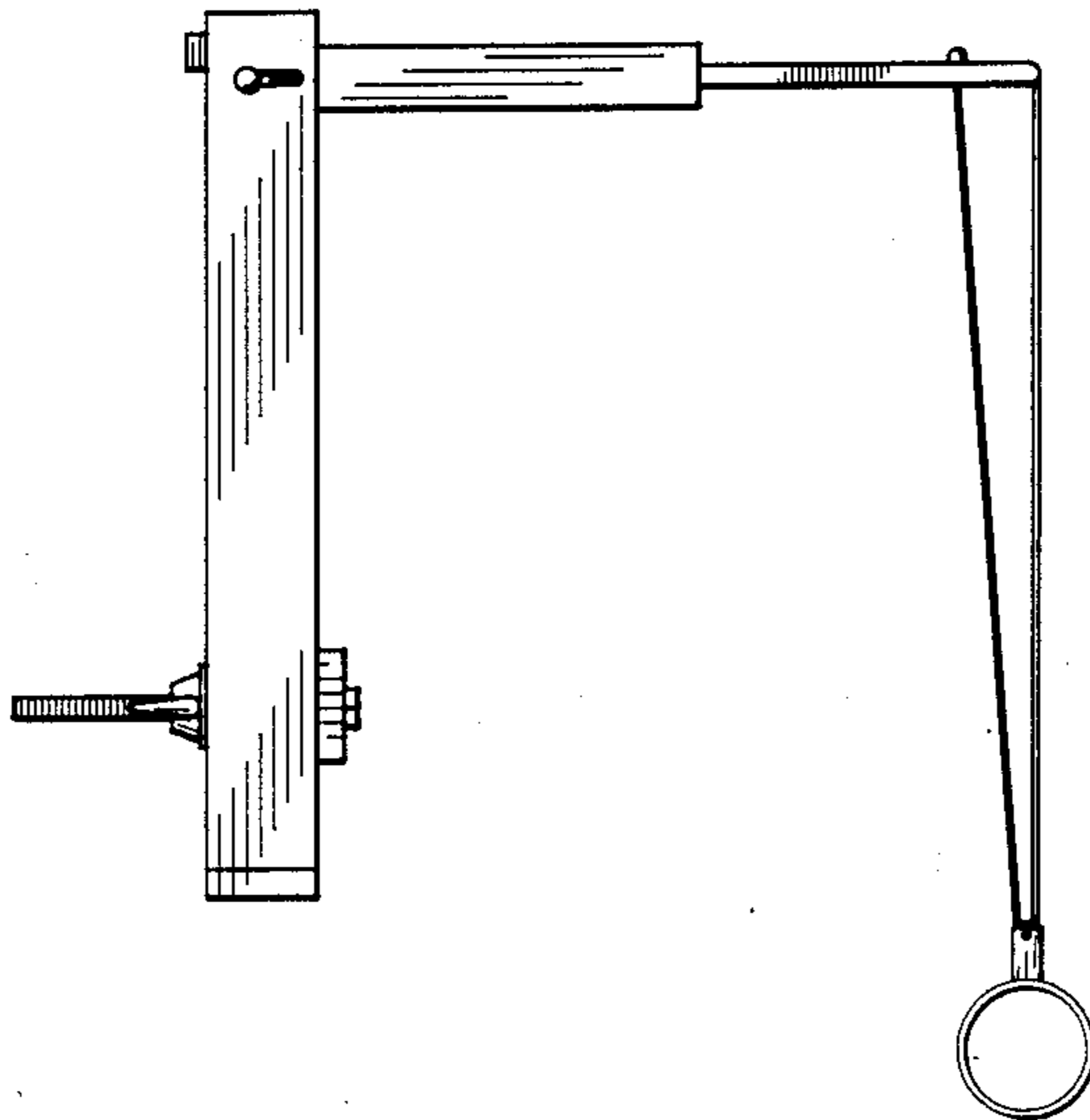
FIG. 2 is a rear elevational view thereof;

FIG. 3 is a left side elevational view thereof;

FIG. 4 is a right side elevational view thereof;

FIG. 5 is a top plan view thereof; and,

FIG. 6 is a bottom plan view thereof.



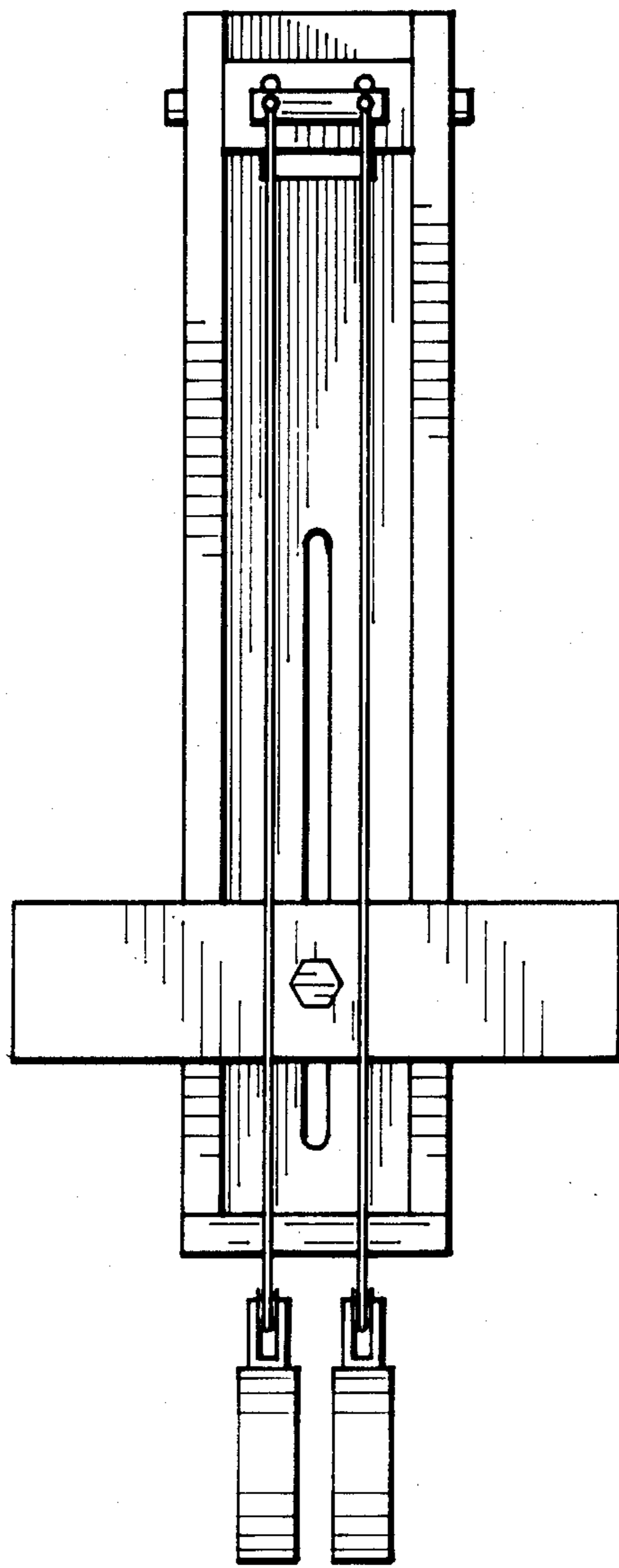


Fig. 1

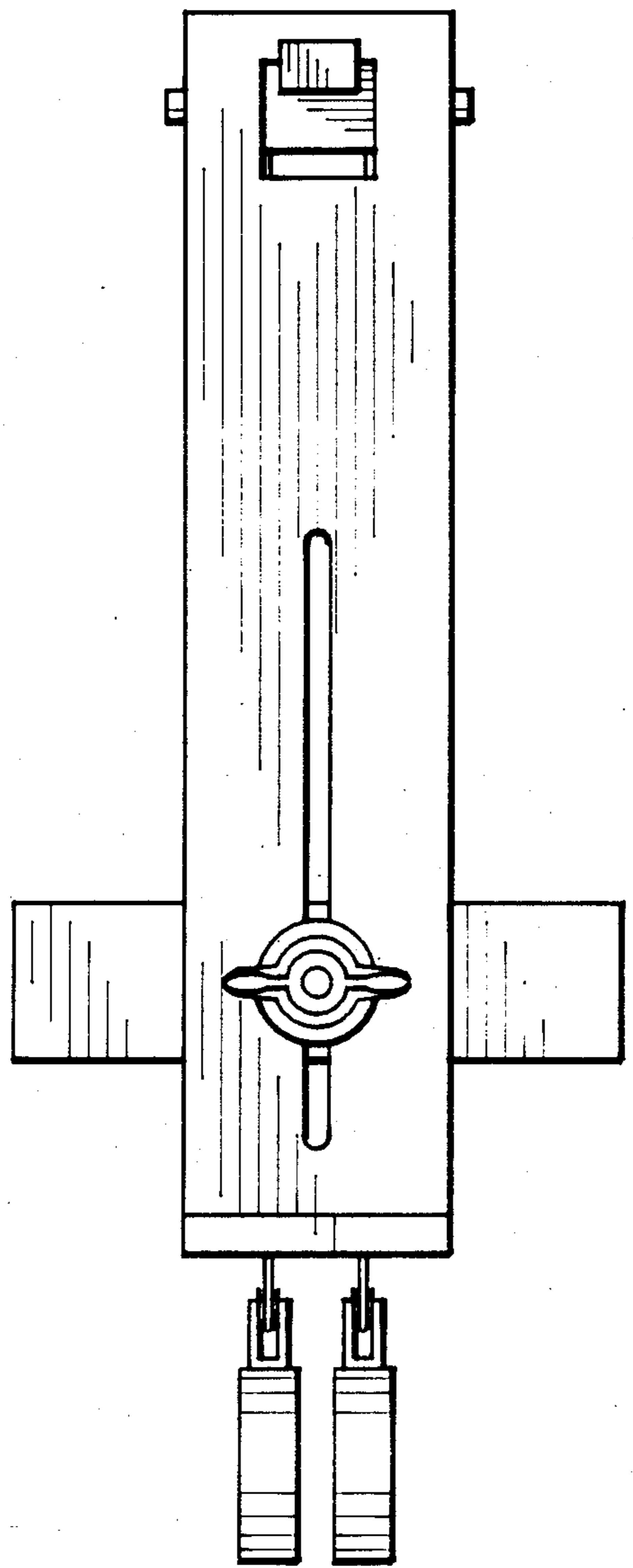


Fig. 2

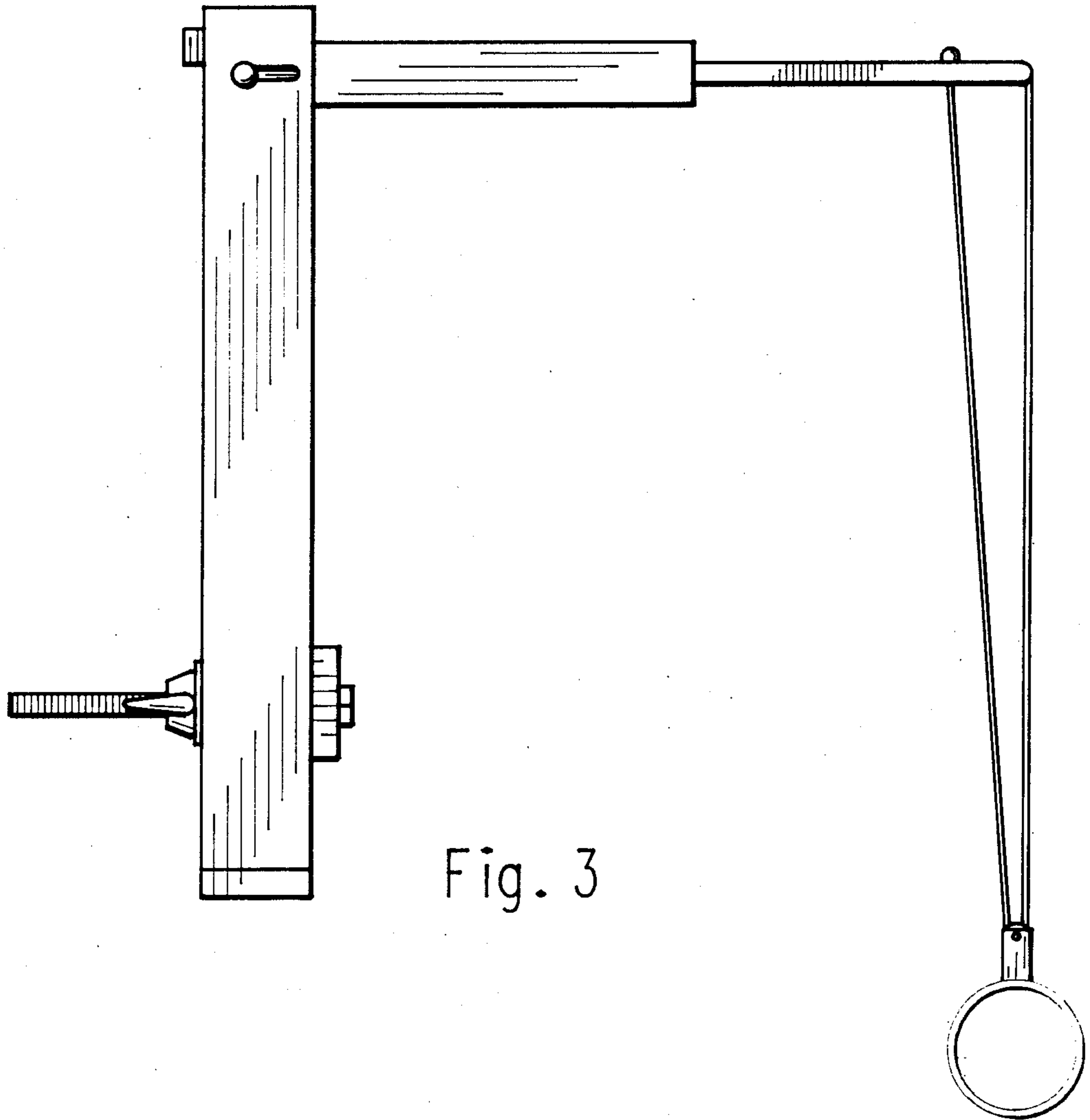


Fig. 3

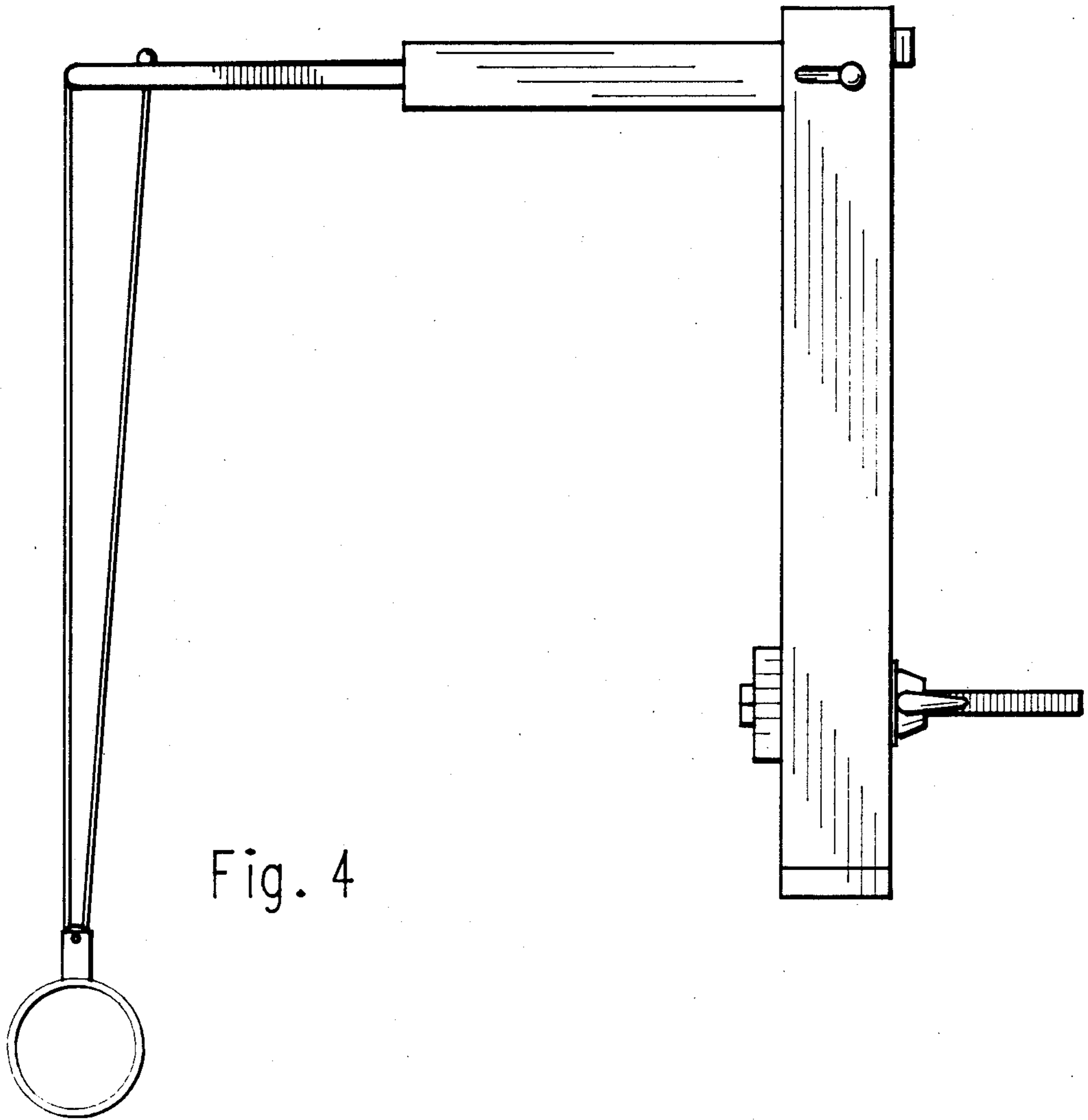


Fig. 4

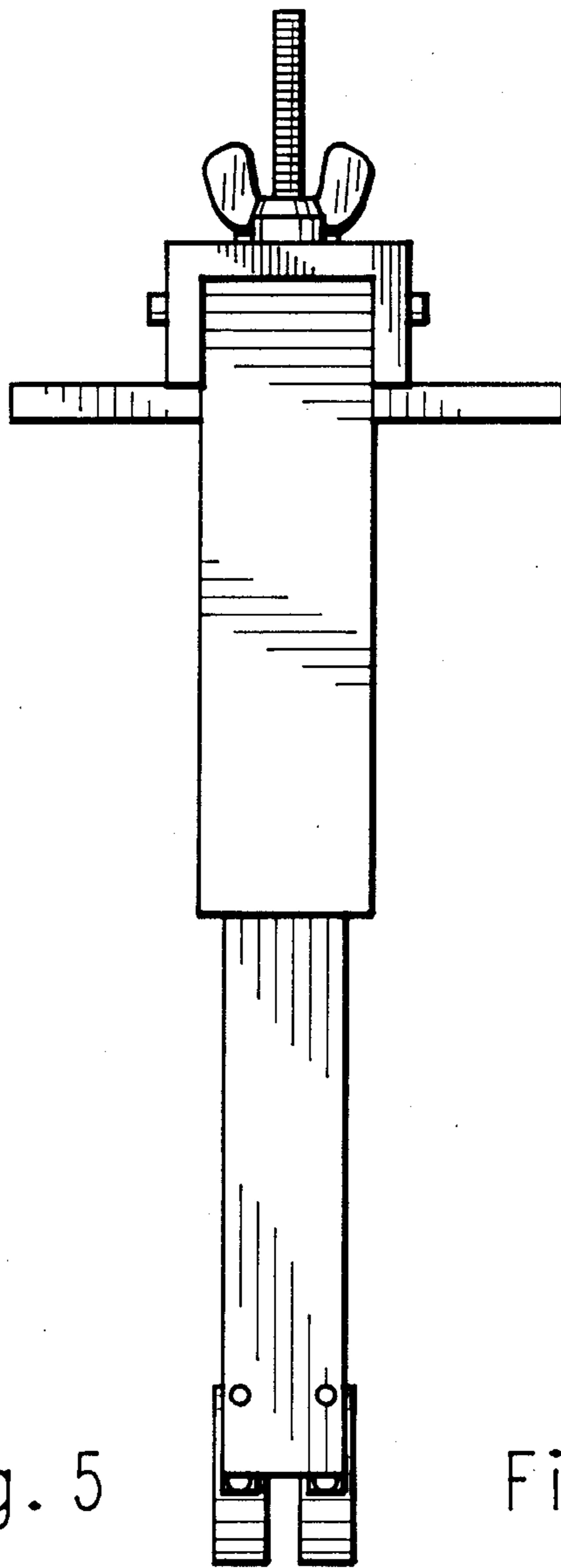


Fig. 5

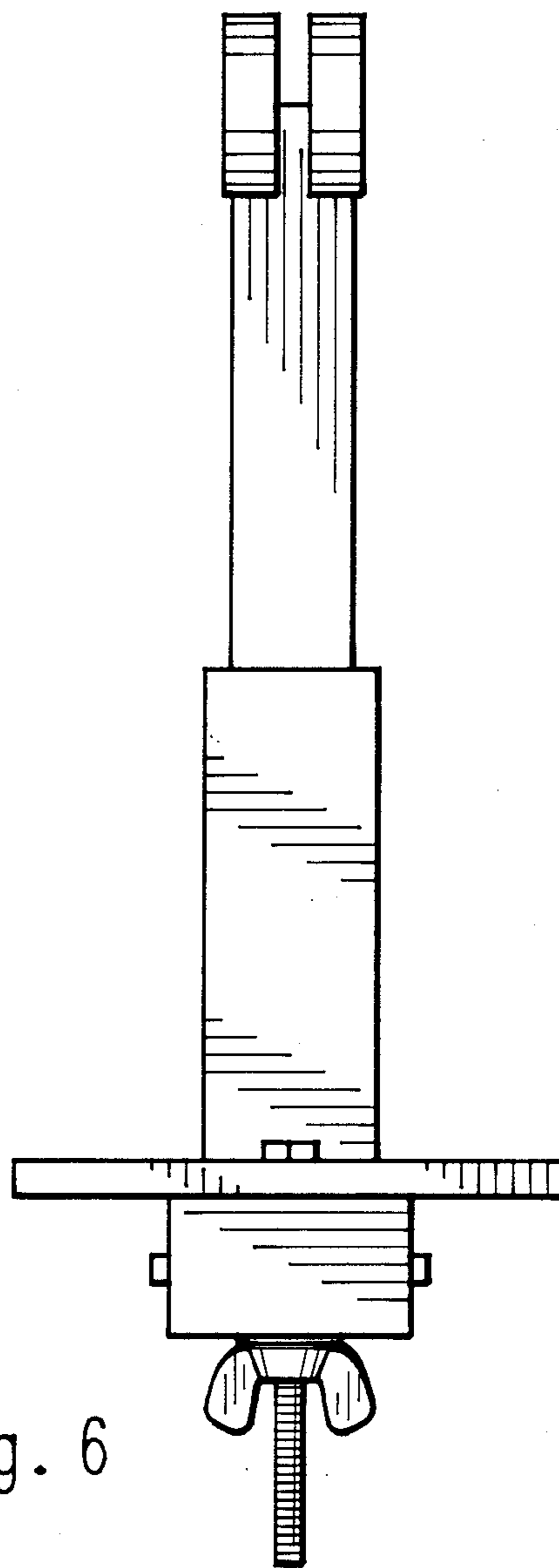


Fig. 6