

[54] DENTAL ARTICULATOR

[76] Inventor: Jack J. Tucker, 10306 Kings Grant, San Antonio, Tex. 78230

[\*\*] Term: 14 Years

[21] Appl. No.: 248,562

[22] Filed: Sep. 26, 1988

[52] U.S. Cl. .... D24/10

[58] Field of Search ..... D24/10-16; 433/53-67

[56] References Cited

U.S. PATENT DOCUMENTS

D. 216,196	12/1969	Rabey	.....	D24/10
D. 286,179	10/1986	Huffman	.....	D24/10
D. 299,057	12/1988	Tucker	.....	D24/10
3,074,168	1/1963	Moore	.....	433/67

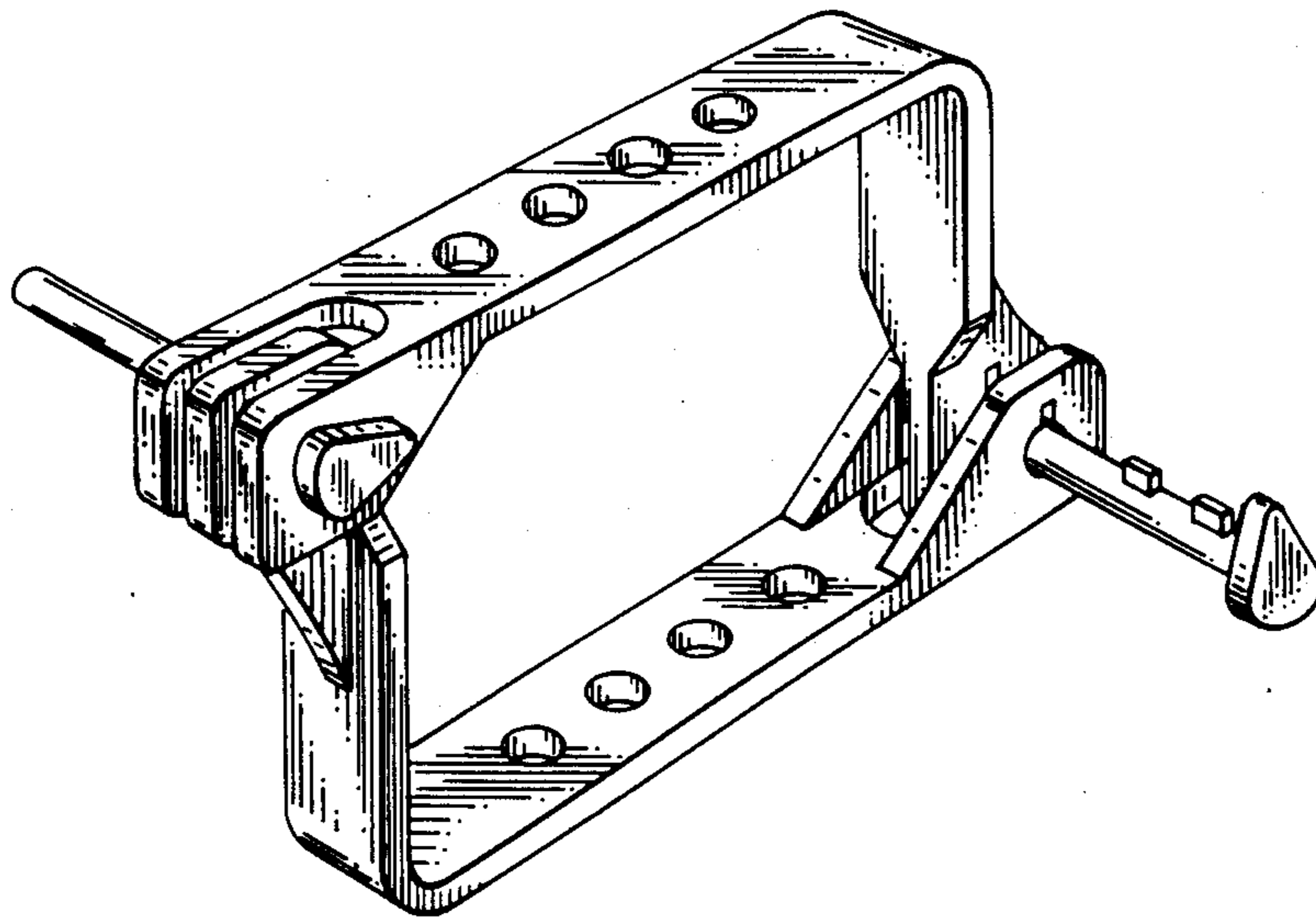
Primary Examiner—Susan J. Lucas  
Assistant Examiner—M. H. Tung  
Attorney, Agent, or Firm—John C. Stahl

[57] CLAIM

The ornamental design for a dental articulator, as shown and described.

DESCRIPTION

FIG. 1 is a perspective view of a dental articulator showing my new design, the left alignment pin shown partially inserted for clarity of illustration; FIG. 2 is a front elevational view thereof, the alignment pins shown fully inserted; FIG. 3 is a top plan view thereof, the bottom view being a mirror image; FIG. 4 is a rear elevational view thereof; FIG. 5 is a right side elevational view thereof; FIG. 6 is a left side elevational view thereof.



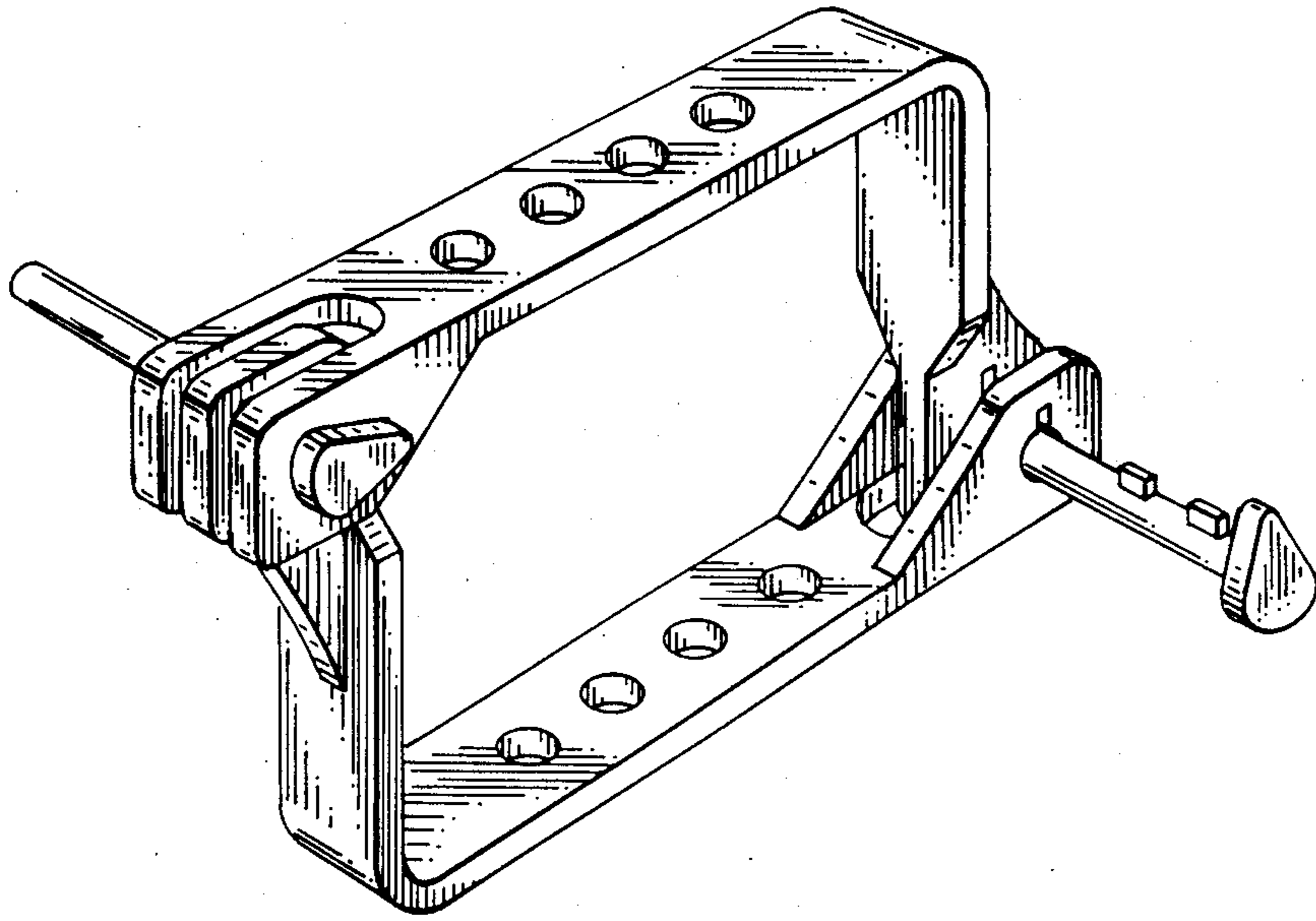


FIG 1

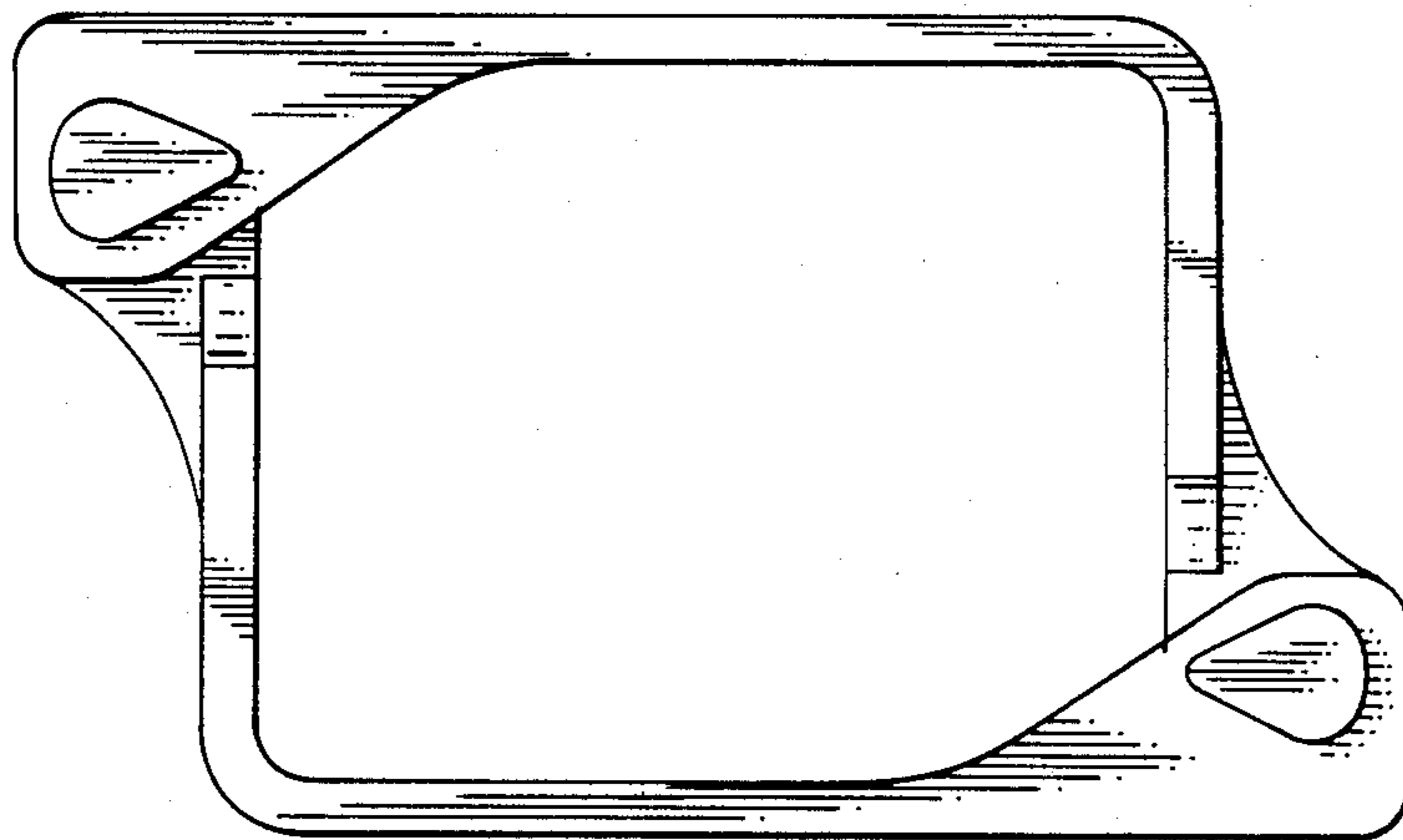


FIG 2

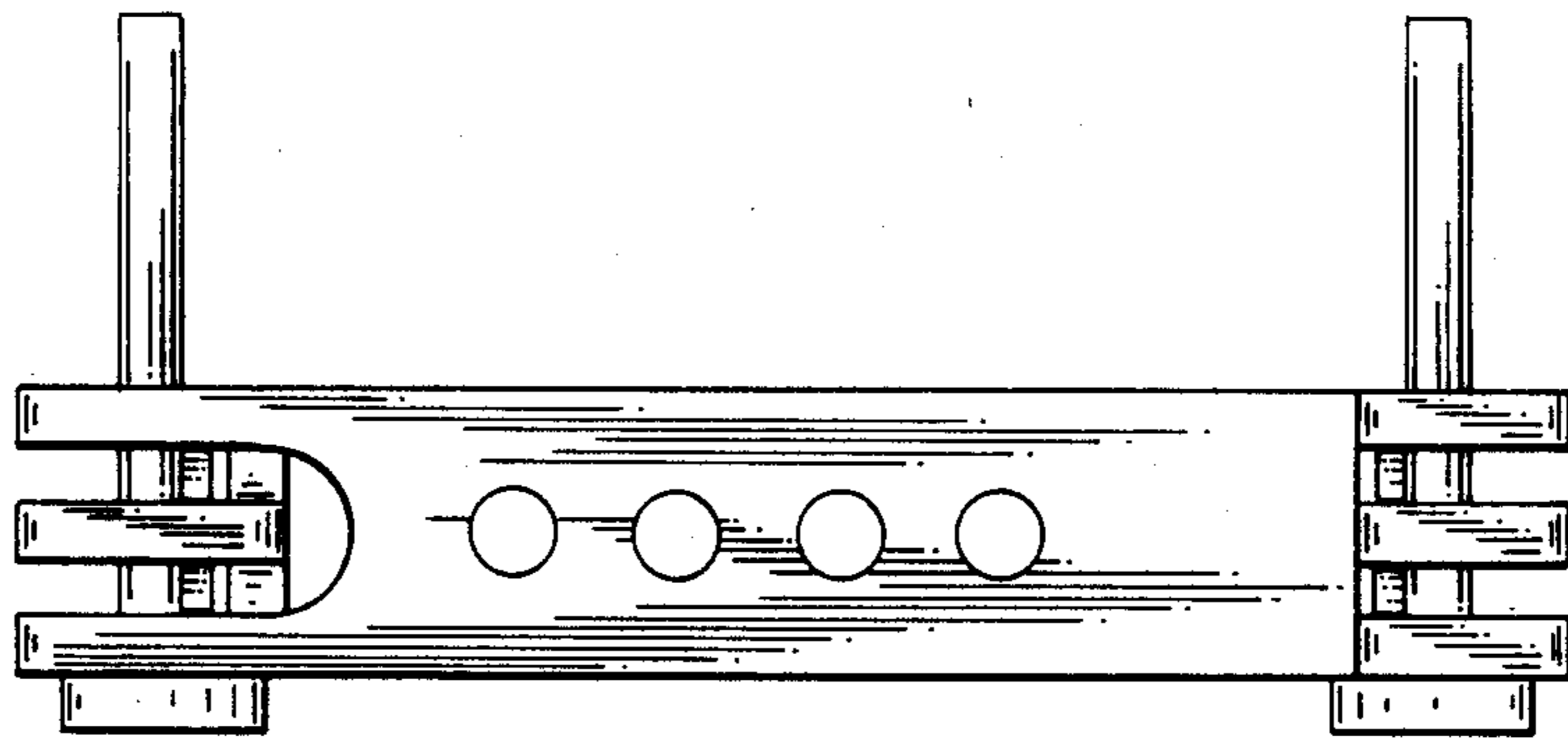


FIG. 3

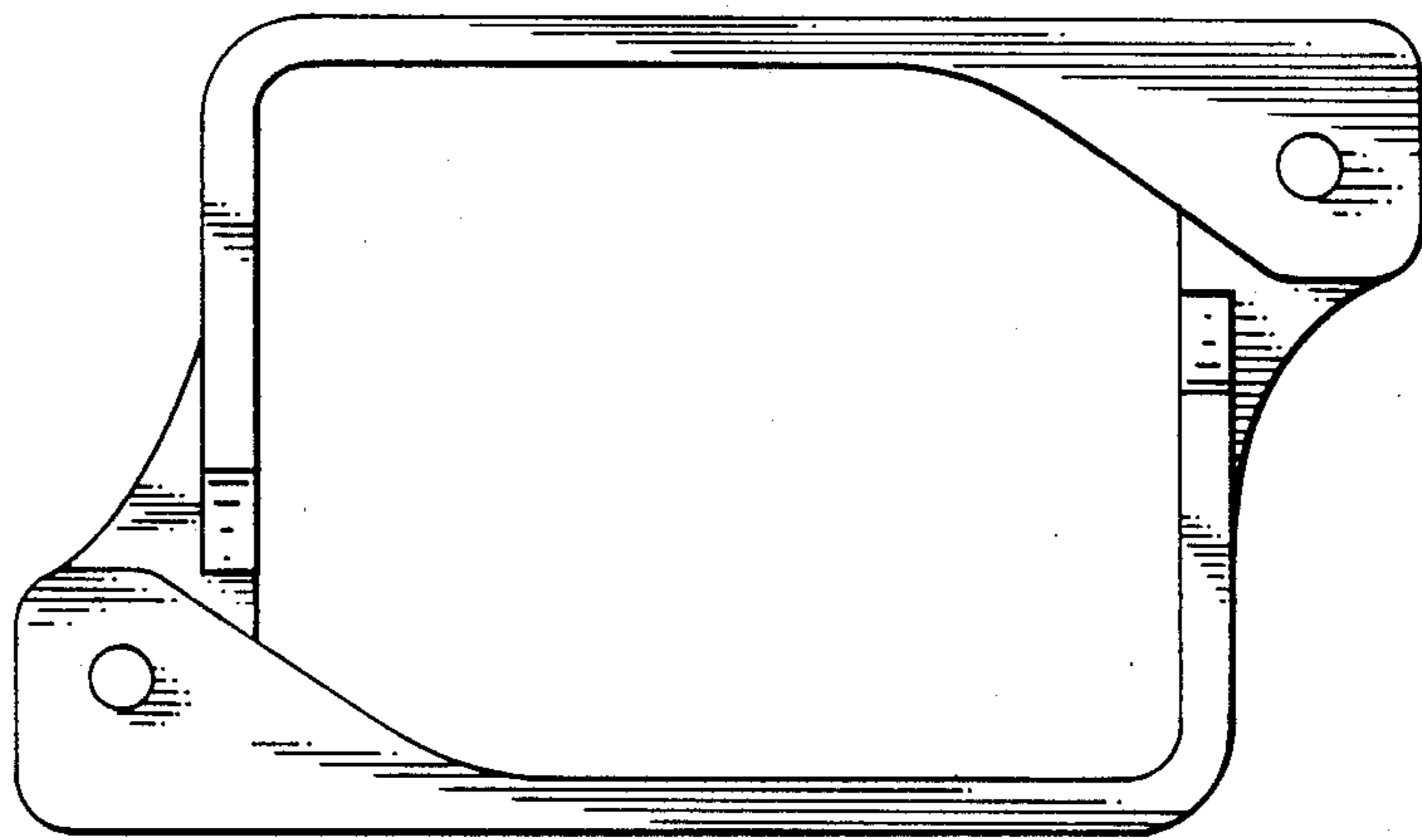


FIG. 4

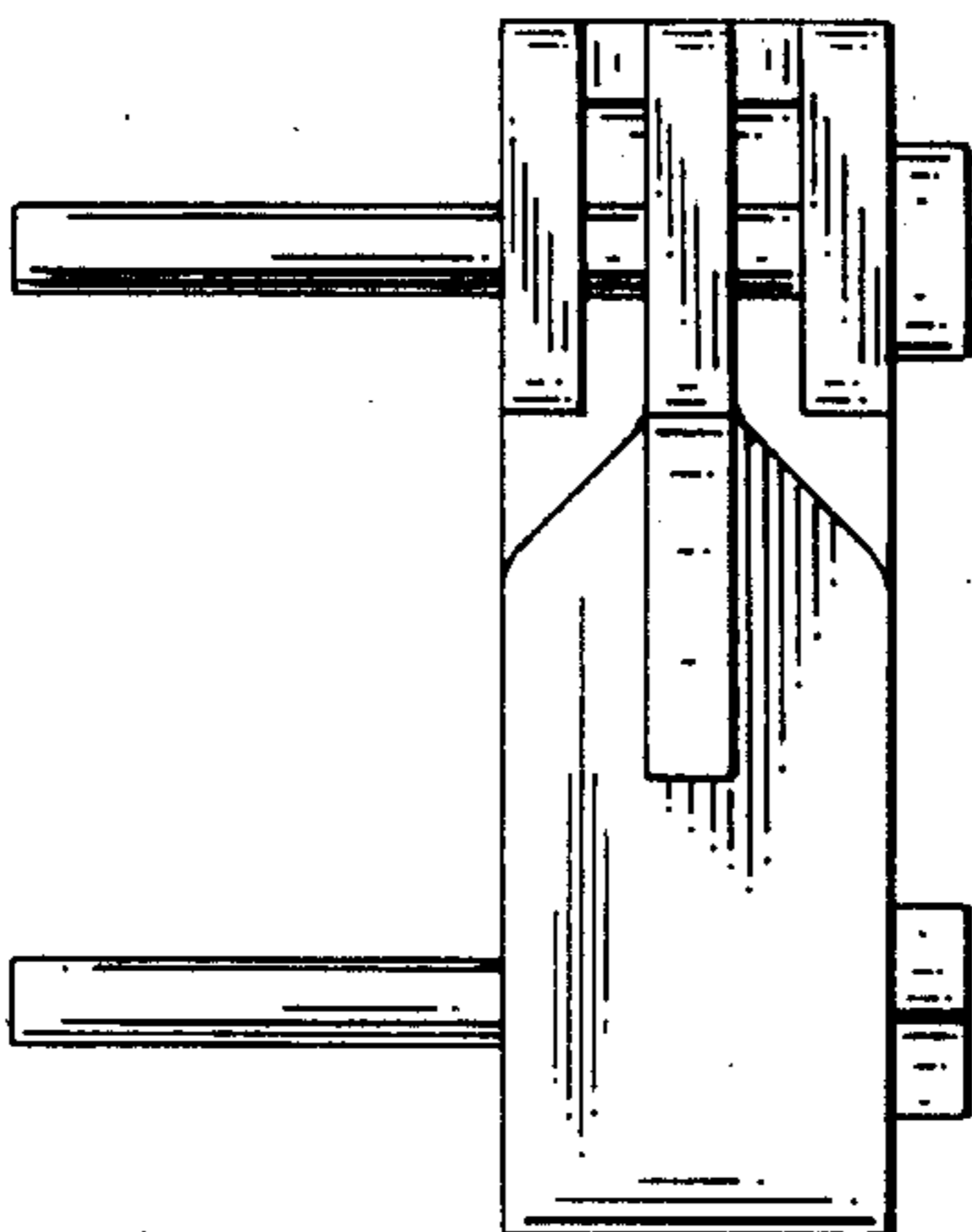


FIG. 5

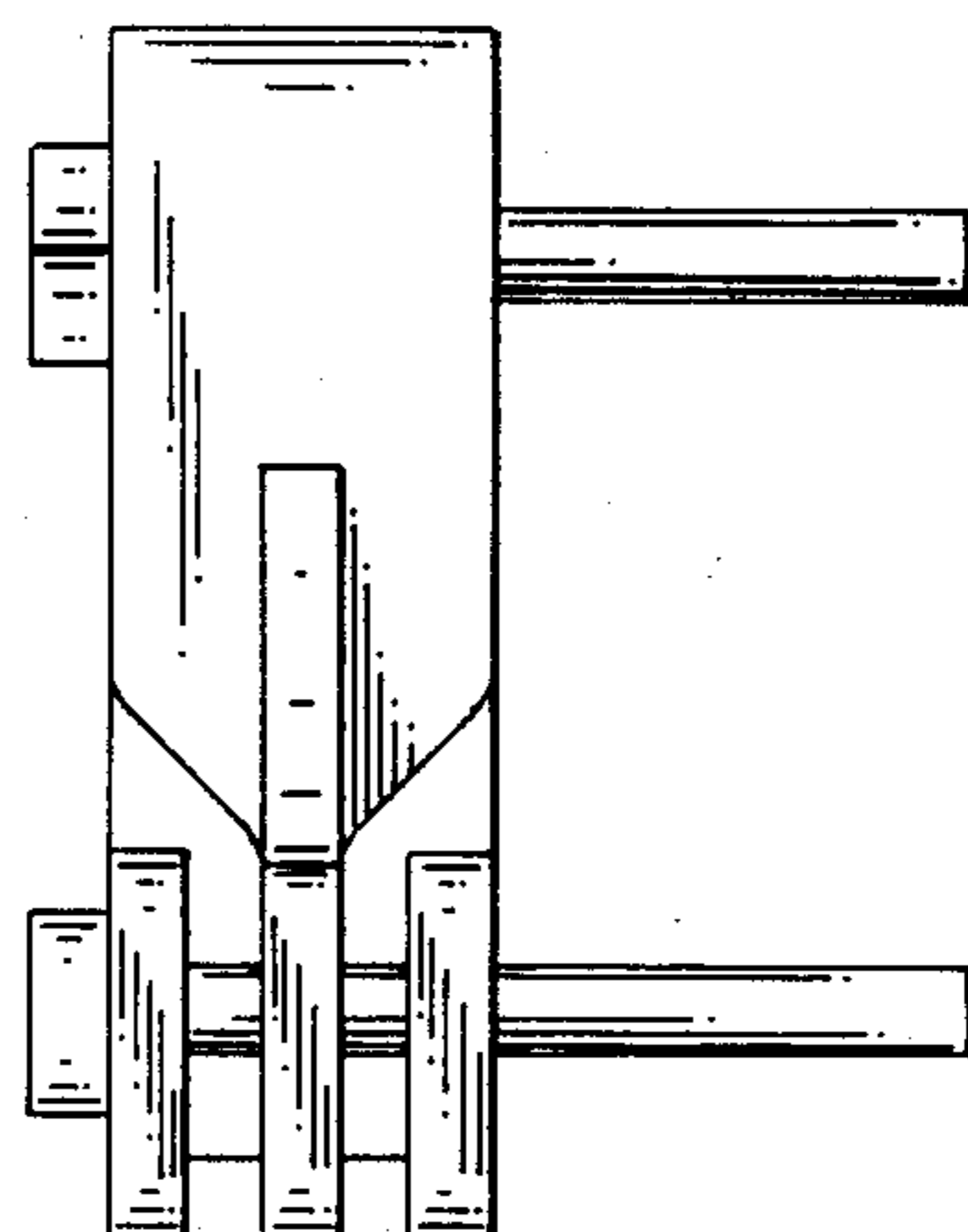


FIG. 6